



US00D933153S

(12) **United States Design Patent**  
**McDonald**

(10) **Patent No.:** **US D933,153 S**  
(45) **Date of Patent:** **\*\* Oct. 12, 2021**

- (54) **PUTTING PRACTICE DEVICE**
- (71) Applicant: **Wayne C. McDonald**, Toronto (CA)
- (72) Inventor: **Wayne C. McDonald**, Toronto (CA)
- (\*\*) Term: **15 Years**
- (21) Appl. No.: **29/687,603**
- (22) Filed: **Apr. 15, 2019**
- (51) **LOC (13) Cl.** ..... **21-02**
- (52) **U.S. Cl.**  
USPC ..... **D21/791**
- (58) **Field of Classification Search**  
USPC ..... D21/789-791  
CPC . A63B 67/02; A63B 69/0059; A63B 69/3673;  
A63B 69/3676; A63B 69/3697; A63B  
69/3661; A63B 69/3667; A63B 69/3608;  
A63B 63/00; A63B 63/007; A63B  
57/357; A63B 57/40  
See application file for complete search history.

- 5,082,280 A \* 1/1992 Wang ..... A63B 67/02  
428/100
- 5,129,653 A \* 7/1992 Morris ..... A63B 67/02  
473/184
- D353,433 S \* 12/1994 Erdoes ..... D21/792
- 5,421,578 A \* 6/1995 Ames ..... A63B 67/02  
473/159
- 5,630,719 A \* 5/1997 Franklin ..... A63B 67/02  
434/252
- D399,285 S \* 10/1998 Ridge ..... D21/789
- D409,704 S \* 5/1999 Nunes ..... D21/791
- D411,601 S \* 6/1999 Fong ..... D21/791
- D481,092 S \* 10/2003 Ray ..... D21/791
- 6,939,240 B2 \* 9/2005 Daley ..... A63B 63/007  
473/180
- 7,094,158 B1 \* 8/2006 Wheat ..... A63B 63/00  
273/127 C
- 7,255,648 B1 \* 8/2007 Romeo ..... A63B 57/357  
473/180
- 8,235,880 B2 \* 8/2012 Guier ..... B65D 81/368  
493/405
- D673,635 S \* 1/2013 Cameron ..... D21/791  
(Continued)

Primary Examiner — Mitchell I. Siegel  
(74) Attorney, Agent, or Firm — N. J. Aquilino

(56) **References Cited**  
U.S. PATENT DOCUMENTS

- 1,287,903 A \* 12/1918 Daily ..... A63B 57/40  
473/180
- 2,144,439 A \* 1/1939 Duffy ..... A63B 57/40  
473/160
- 2,453,605 A \* 11/1948 Thomas ..... A63B 69/3661  
473/180
- 2,716,029 A \* 8/1955 Montgomery ..... A63B 57/357  
473/184
- D196,657 S \* 10/1963 Cohen ..... D21/790
- 3,275,325 A \* 9/1966 MacKenzie ..... A63B 57/405  
473/184
- D243,497 S \* 3/1977 Brufau ..... D6/328
- D273,126 S \* 3/1984 Turza ..... D21/790
- 4,728,106 A \* 3/1988 Shore ..... A63B 57/40  
473/180
- 4,805,912 A \* 2/1989 Hickman ..... A63B 67/02  
473/159

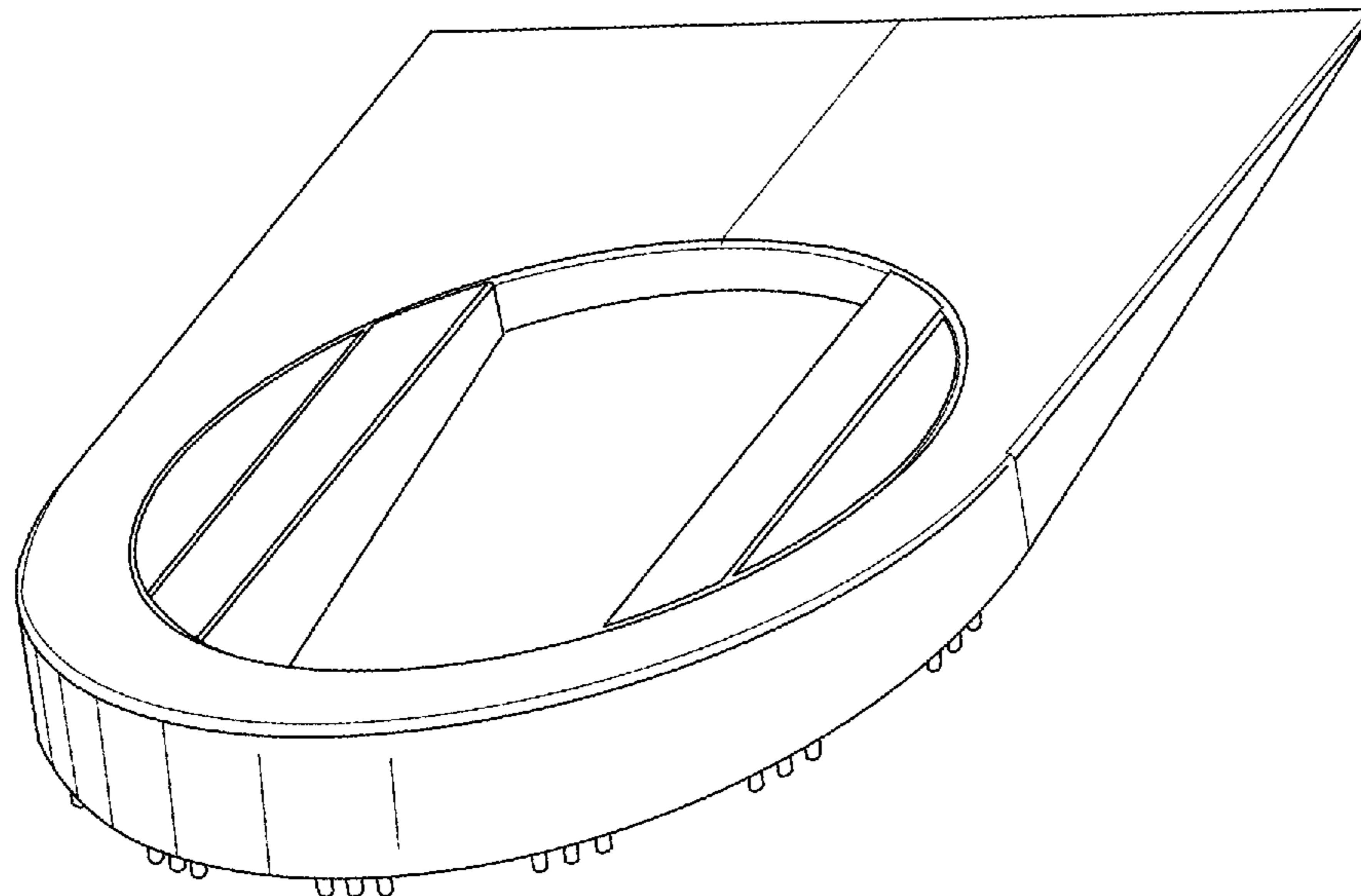
(57) **CLAIM**

The ornamental design of a putting practice device, as shown and described.

**DESCRIPTION**

FIG. 1 is a perspective view of a putting practice device showing our new design.  
FIG. 2 is a top plan view of the device of FIG. 1.  
FIG. 3 is a side elevational view thereof; the opposite side being a mirror image thereof.  
FIG. 4 is a bottom view thereof.  
FIG. 5 is a top edge view thereof; and,  
FIG. 6 is a bottom edge view thereof.

**1 Claim, 2 Drawing Sheets**



(56)

**References Cited**

U.S. PATENT DOCUMENTS

D736,881 S \* 8/2015 Keisler ..... D21/791  
D740,383 S \* 10/2015 Shadle ..... D21/791  
D759,162 S \* 6/2016 Menzies ..... D20/19  
D760,337 S \* 6/2016 Holland ..... D21/791  
D794,737 S \* 8/2017 Boan ..... D21/791  
D795,376 S \* 8/2017 Keisler ..... D21/791  
2007/0249428 A1\* 10/2007 Pendleton ..... A63B 69/3614  
473/223  
2020/0129833 A1\* 4/2020 Cooper ..... A63B 69/3667

\* cited by examiner

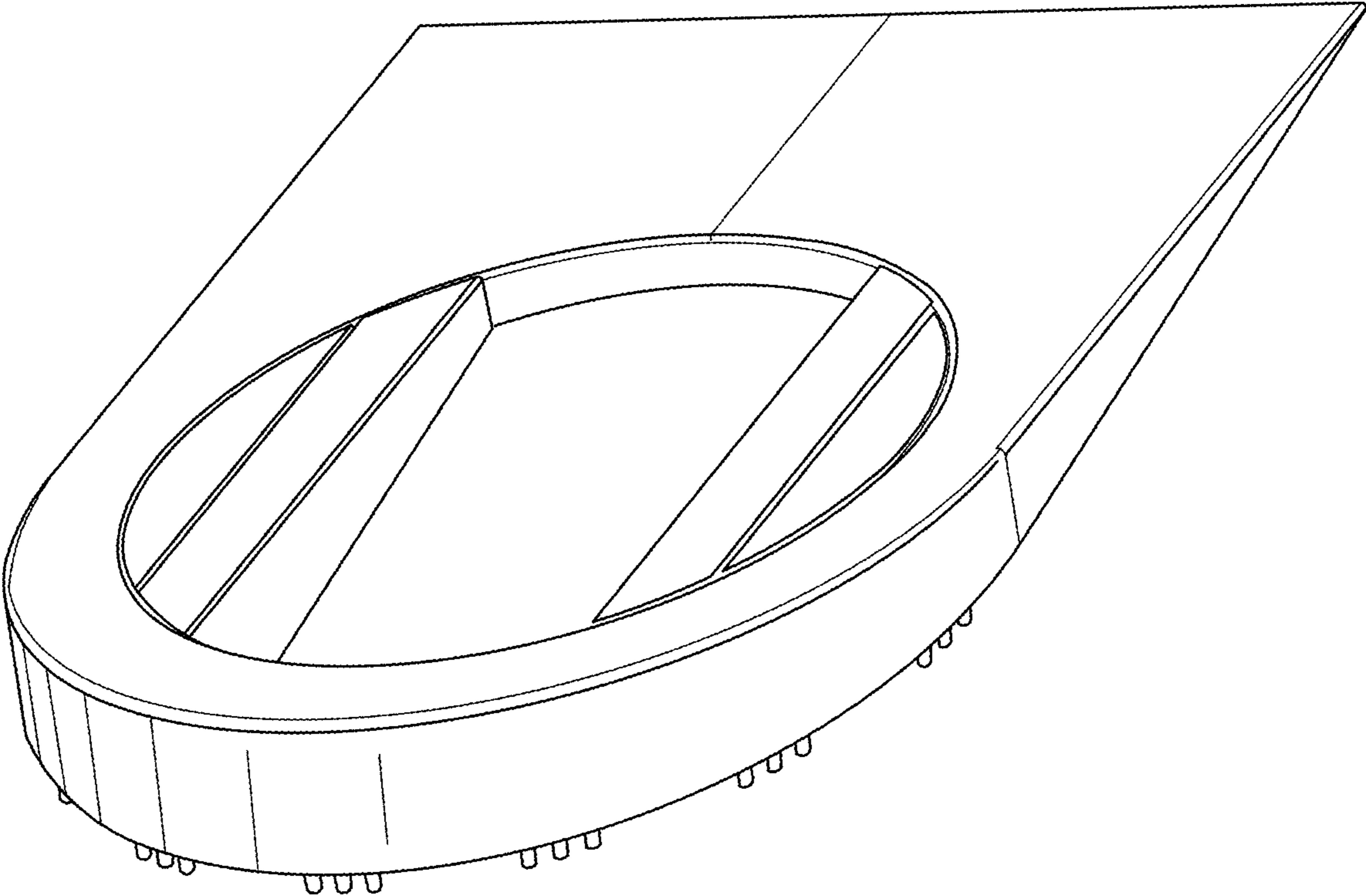


FIG. 1

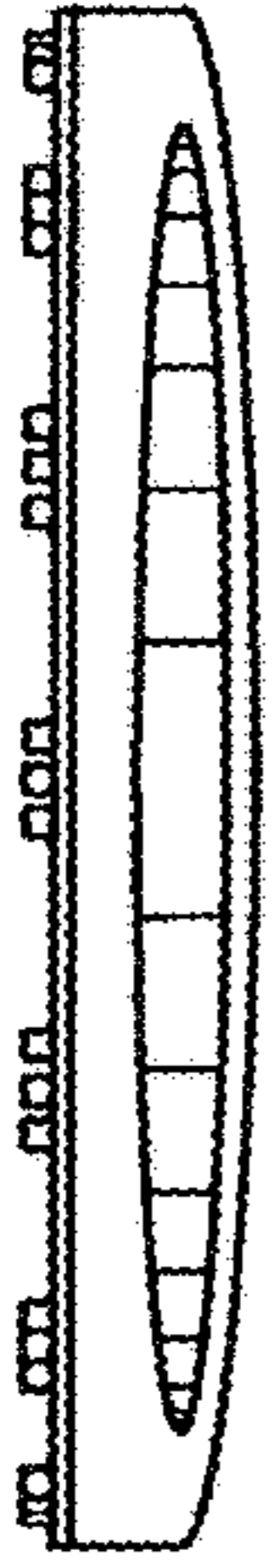


FIG. 6

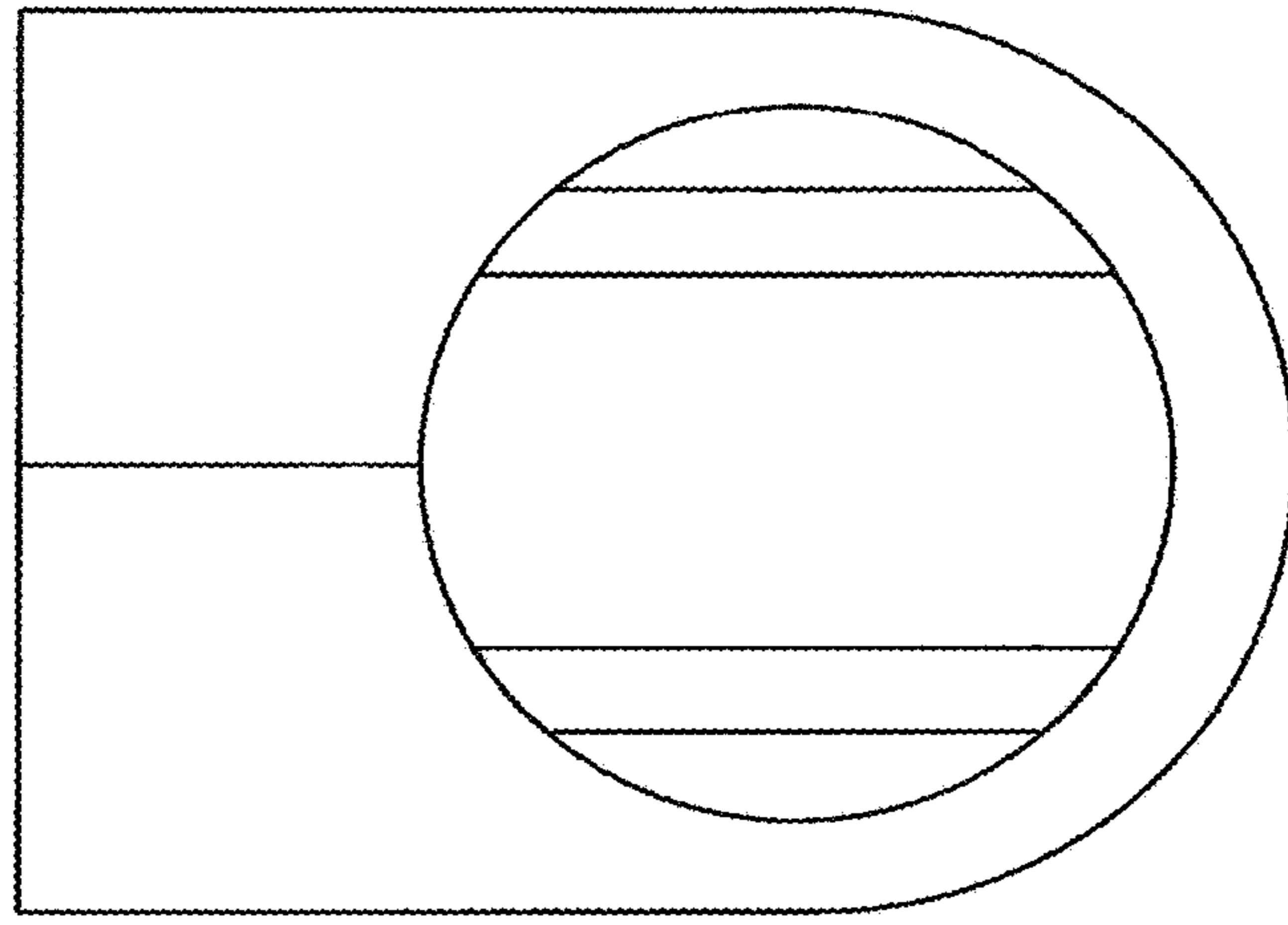


FIG. 2



FIG. 5

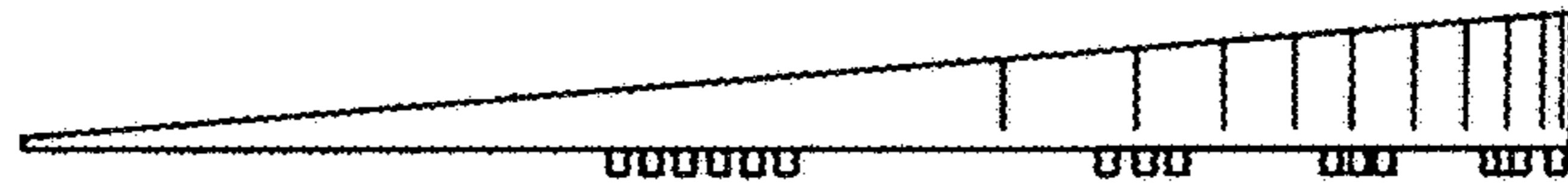


FIG. 3

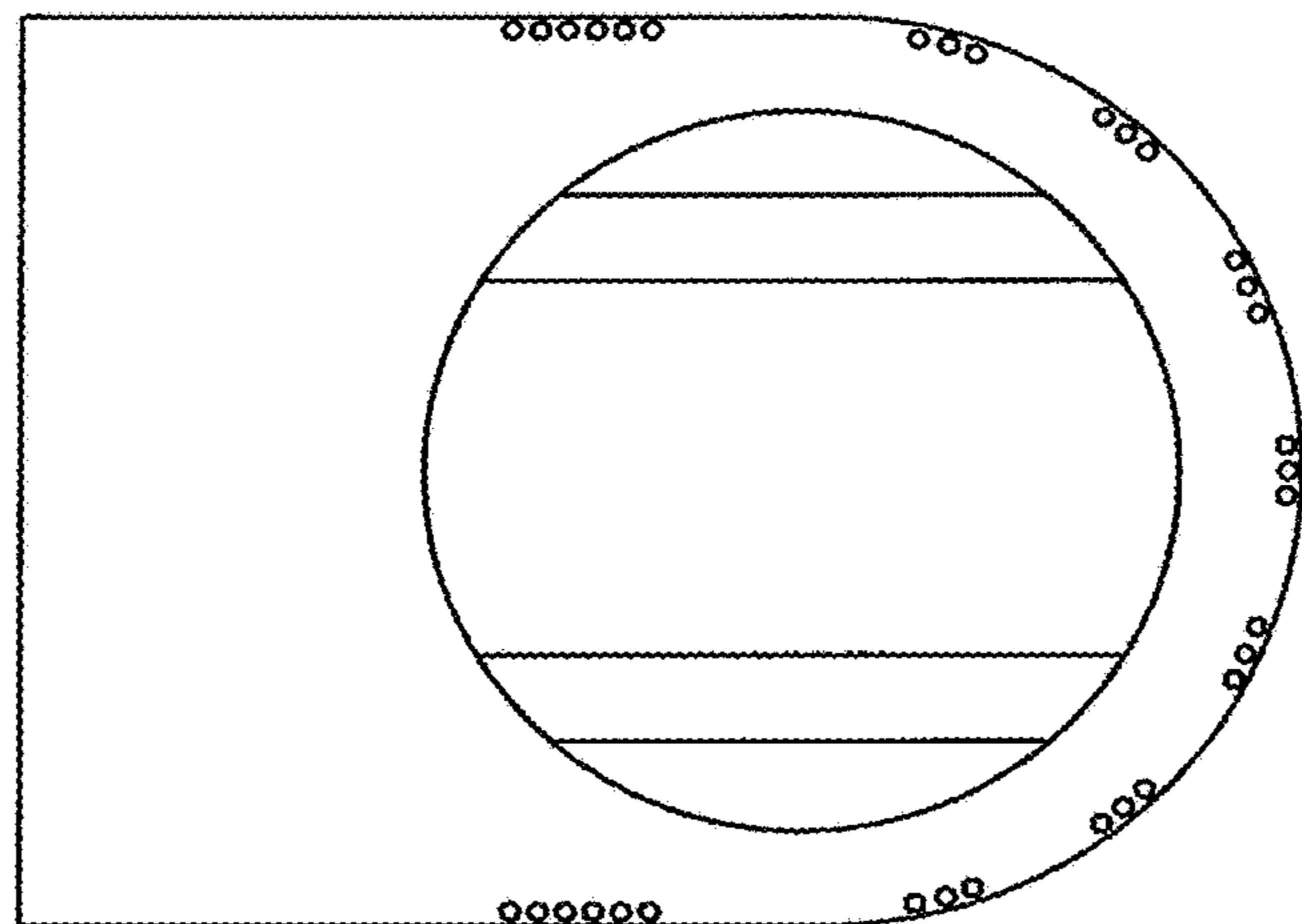


FIG. 4