



US00D933152S

(12) **United States Design Patent** (10) **Patent No.:** **US D933,152 S**
Rife (45) **Date of Patent:** **** Oct. 12, 2021**

- (54) **GOLF GRIP**
- (71) Applicant: **Guerin D. Rife**, Carlsbad, CA (US)
- (72) Inventor: **Guerin D. Rife**, Carlsbad, CA (US)
- (**) Term: **15 Years**
- (21) Appl. No.: **29/724,407**
- (22) Filed: **Feb. 14, 2020**

Related U.S. Application Data

- (63) Continuation-in-part of application No. 29/721,604, filed on Jan. 22, 2020.
- (51) **LOC (13) Cl.** **21-02**
- (52) **U.S. Cl.**
USPC **D21/756**
- (58) **Field of Classification Search**
USPC D21/756-758; D8/80, 83, 94, 97, 107, D8/300, 321
CPC A63B 60/06-60/34; A63B 60/00; A63B 60/46; A63B 59/60-59/80; A63B 49/00-49/14; A63B 53/14
See application file for complete search history.

(56) **References Cited**

U.S. PATENT DOCUMENTS

- 2,218,268 A * 10/1940 Reid A63B 53/14 473/204
- D128,266 S * 7/1941 Smith D21/756
- D295,207 S * 4/1988 Mahaffey D21/756
- D325,614 S * 4/1992 Mermillod D21/756
- D399,282 S * 10/1998 Jarrett D21/756
- D531,243 S * 10/2006 Davis D21/756
- D534,602 S * 1/2007 Norton D21/756
- D534,603 S * 1/2007 Norton D21/756
- D534,604 S * 1/2007 Norton D21/756
- D534,605 S * 1/2007 Norton D21/756
- D534,606 S * 1/2007 Norton D21/756

- D534,607 S * 1/2007 Norton D21/756
- D534,975 S * 1/2007 Norton D21/756
- D554,723 S * 11/2007 Savasky D21/756
- D554,724 S * 11/2007 Savasky D21/756
- D592,262 S * 5/2009 Devaney D21/756
- D592,263 S * 5/2009 Devaney D21/756
- D592,264 S * 5/2009 Devaney D21/756
- D592,265 S * 5/2009 Devaney D21/756
- D592,266 S * 5/2009 Devaney D21/756
- D592,267 S * 5/2009 Devaney D21/756
- D595,378 S * 6/2009 Devaney D21/756
- D595,379 S * 6/2009 Devaney D21/756
- D595,796 S * 7/2009 Devaney D21/756
- D597,622 S * 8/2009 Devaney D21/756
- D681,758 S * 5/2013 Garsen D21/756
- D710,466 S * 8/2014 Bentley D21/756
- D728,717 S * 5/2015 Cokewell D21/756
- D733,237 S * 6/2015 Serrano D21/756
- D774,612 S * 12/2016 Dingman D21/756
- D816,177 S * 4/2018 Garsen D21/756
- D818,065 S * 5/2018 Lin D21/756
- D851,188 S * 6/2019 Cokewell D21/756
- D896,331 S * 9/2020 Biafore, Jr. D21/756
- 10,806,974 B1 * 10/2020 Biafore, Jr. A63B 60/14

(Continued)

Primary Examiner — Mitchell I. Siegel
(74) *Attorney, Agent, or Firm* — Dickinson Wright PLLC

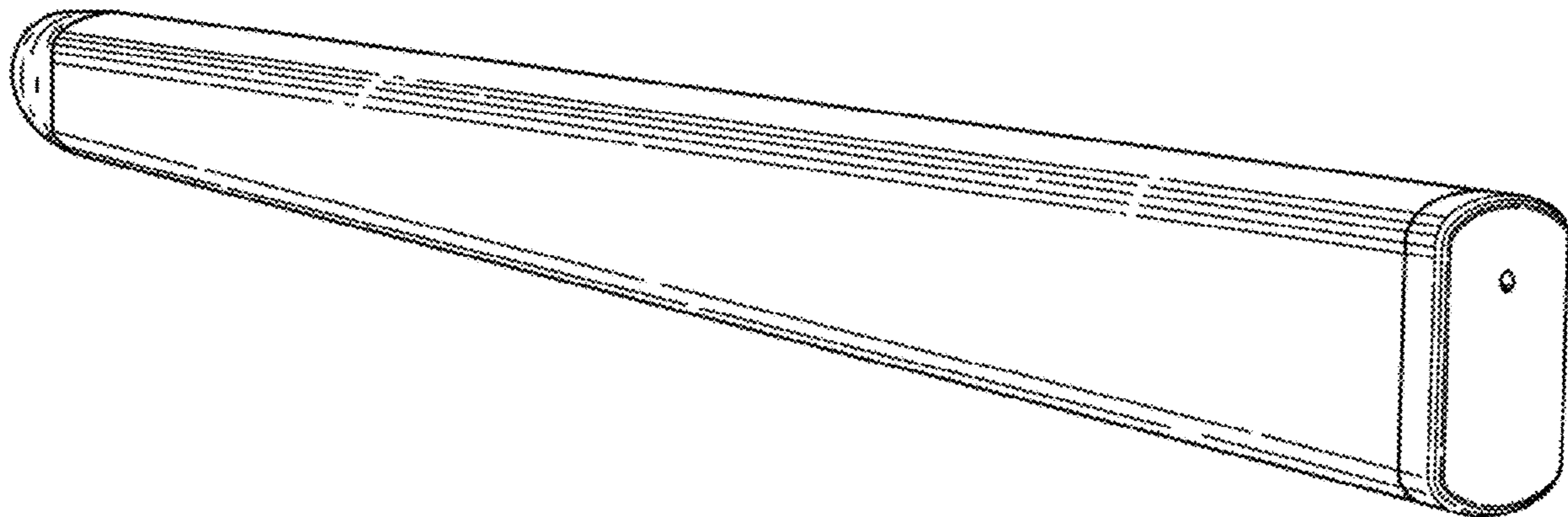
(57) **CLAIM**

The ornamental design of a golf grip, as shown and described.

DESCRIPTION

FIG. 1 is a perspective view of the golf grip;
FIG. 2 is a front elevational view of the golf grip;
FIG. 3 is a rear elevational view of the golf grip;
FIG. 4 is an end view of the golf grip;
FIG. 5 is an opposite end of the golf grip;
FIG. 6 is a top view of the golf grip; and,
FIG. 7 is a bottom view of the golf grip.

1 Claim, 2 Drawing Sheets



(56)

References Cited

U.S. PATENT DOCUMENTS

2018/0290033 A1* 10/2018 Rife A63B 53/007
2018/0369669 A1* 12/2018 Rife A63B 60/14
2021/0121752 A1* 4/2021 Rife A63B 60/24

* cited by examiner

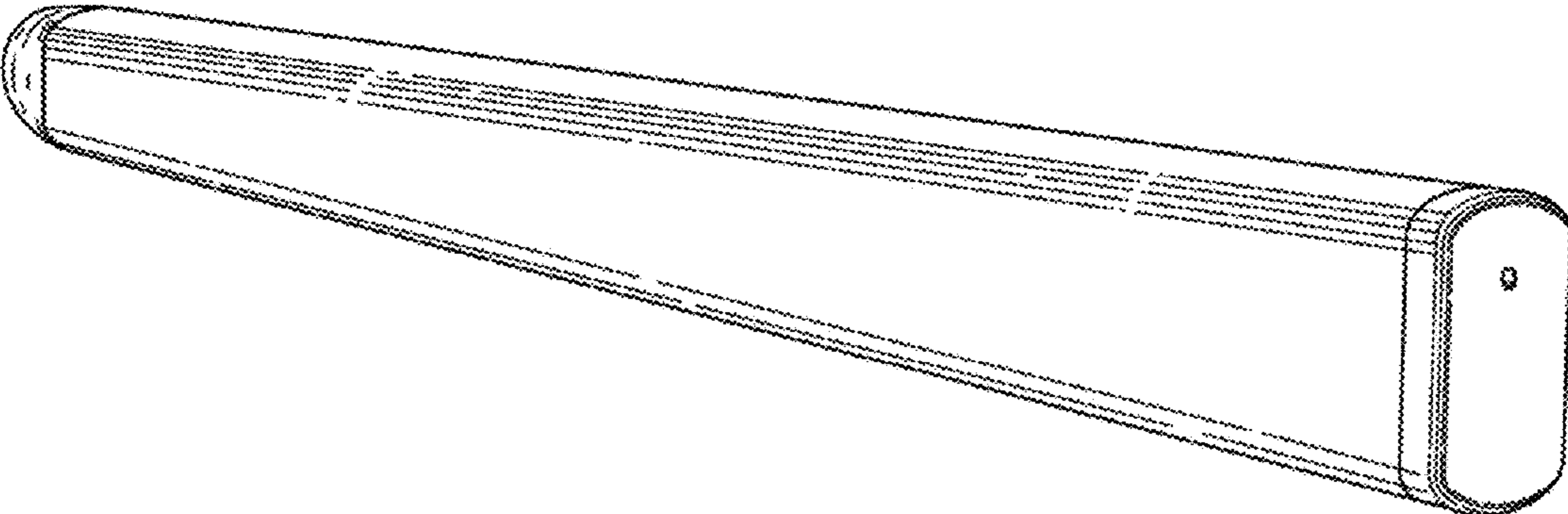


FIG. 1

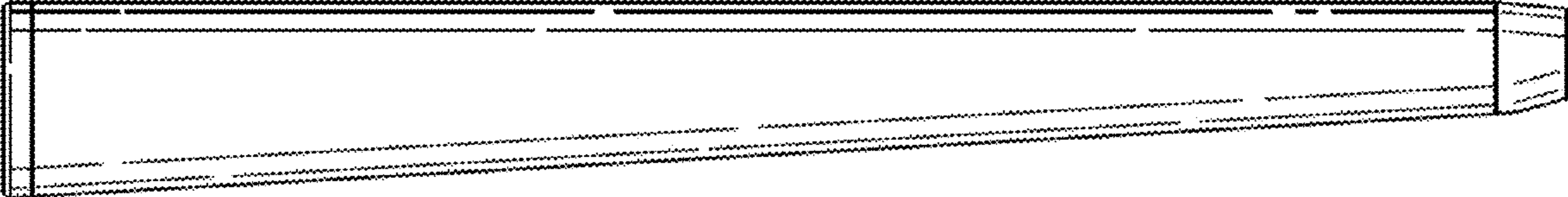


FIG. 2

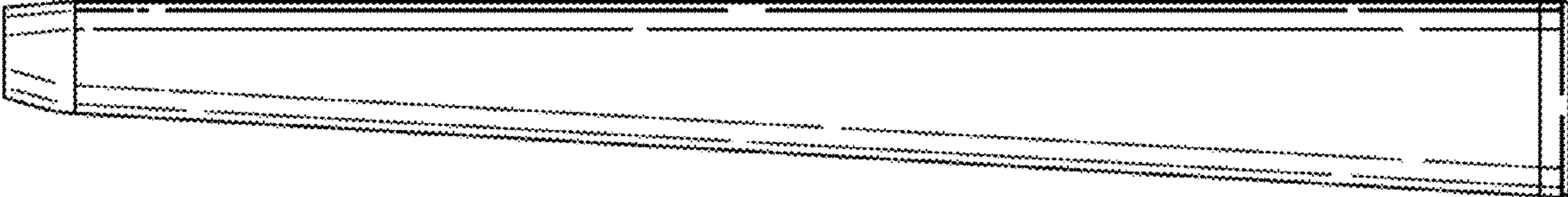


FIG. 3

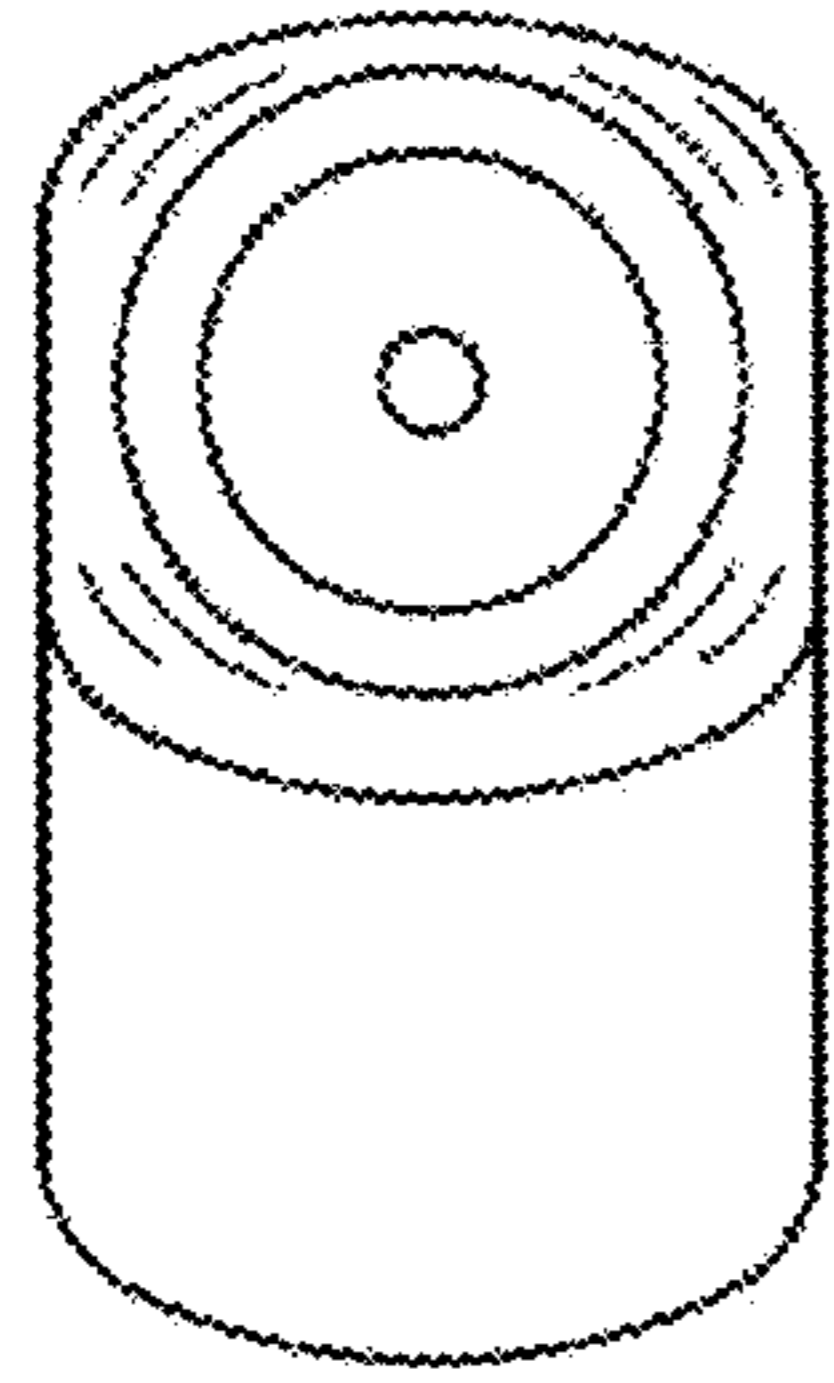


FIG. 4

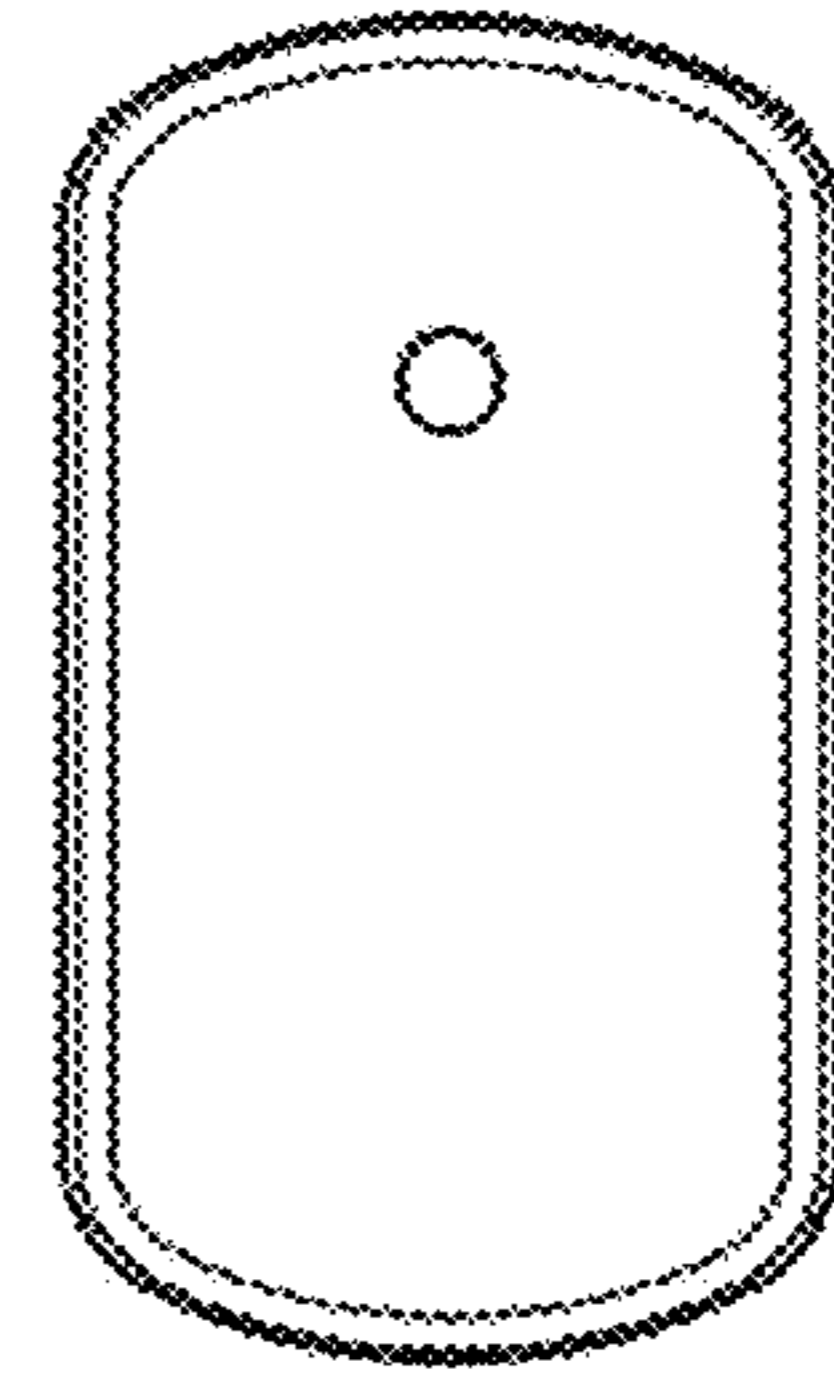


FIG. 5



FIG. 6



FIG. 7