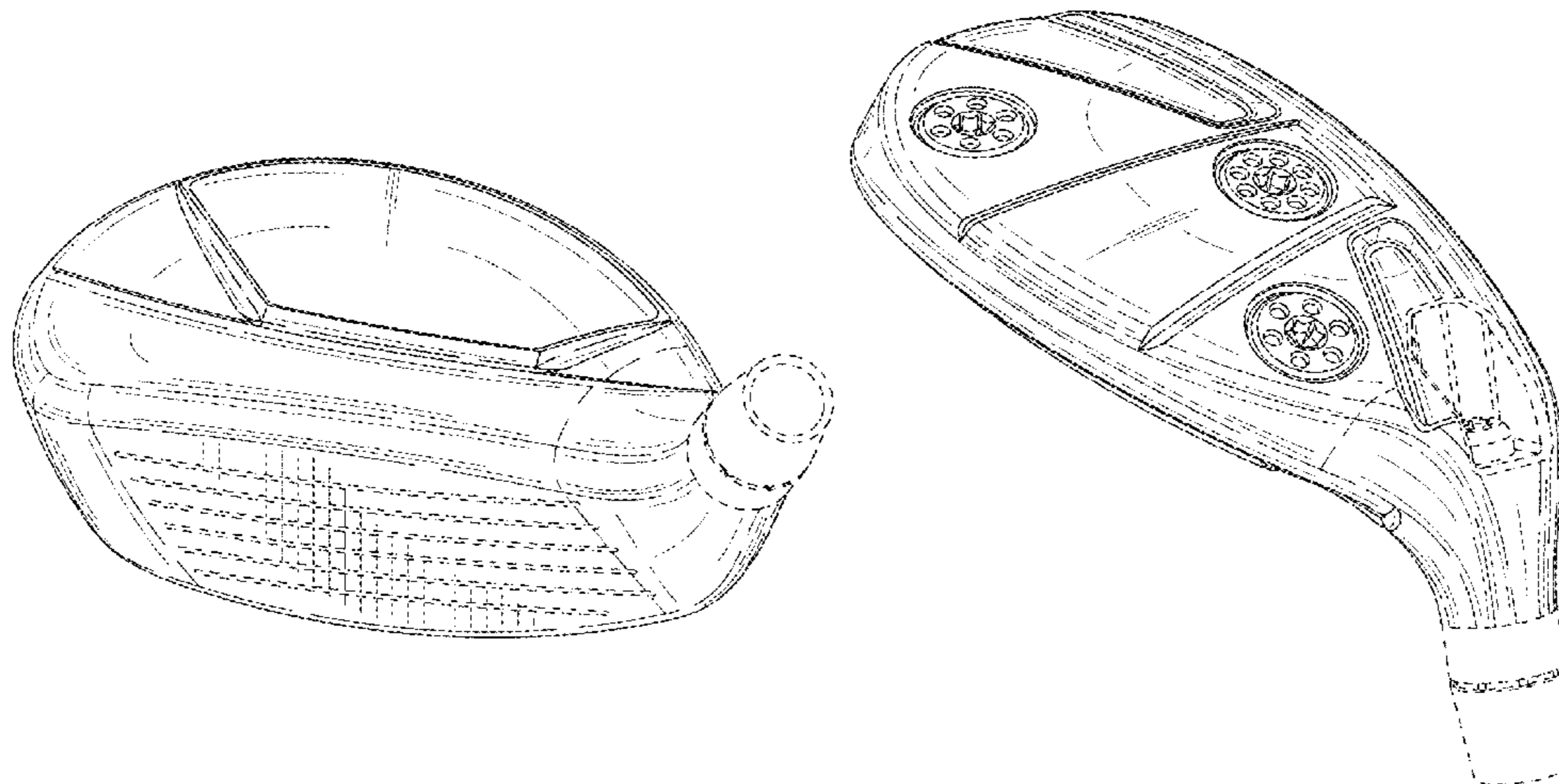




US00D933148S

(12) **United States Design Patent** (10) **Patent No.:** **US D933,148 S**
Nicolette et al. (45) **Date of Patent:** **** Oct. 12, 2021**

- (54) **GOLF CLUB HEAD** 1,306,029 A 6/1919 Robertson
D55,867 S 7/1920 Matters
- (71) Applicant: **PARSONS XTREME GOLF, LLC,** 1,534,600 A 4/1925 Mattern
Scottsdale, AZ (US) 1,538,312 A 5/1925 Neish
1,543,691 A * 6/1925 Beat A63B 53/08
473/342
- (72) Inventors: **Michael R. Nicolette,** Scottsdale, AZ D94,549 S 2/1935 Jansky
(US); Bradley D. Schweigert, Cave D94,550 S 2/1935 Jansky
Creek, AZ (US) D138,437 S 8/1944 Link
D138,438 S 8/1944 Link
D138,439 S 8/1944 Link
D138,441 S 8/1944 Link
D138,442 S 8/1944 Link
D164,469 S 9/1951 Behrendt
D185,177 S 5/1959 Smith
3,020,048 A 2/1962 Carroll
D203,936 S 3/1966 Long
D215,101 S 9/1969 Sabat
3,556,553 A 1/1971 Kolbe
3,652,094 A 3/1972 Glover
D229,431 S 11/1973 Baker
D234,609 S 3/1975 Raymond
D234,963 S 4/1975 Hirata
D239,550 S 4/1976 Timbrook
D240,054 S 5/1976 Meissler
D240,748 S 7/1976 Bock et al.
4,085,934 A 4/1978 Churchward
D253,778 S 12/1979 Madison
D261,167 S 10/1981 Swanson
4,332,388 A 6/1982 Crow
D294,617 S 3/1988 Perkins
4,754,977 A 7/1988 Sahm
4,824,116 A 4/1989 Nagamoto et al.
D307,783 S 5/1990 Iinuma
4,988,104 A 1/1991 Shiotani et al.
D326,885 S 6/1992 Paul
5,158,296 A 10/1992 Lee
5,176,384 A 1/1993 Sala et al.
5,213,328 A 5/1993 Long et al.
5,213,329 A 5/1993 Okumoto et al.
D336,672 S 6/1993 Gorman
D338,935 S 8/1993 Antonious
D344,561 S 2/1994 Gorman
D351,883 S 10/1994 Solheim et al.
D353,862 S 12/1994 Saito
D357,520 S 4/1995 Helmstetter et al.
5,419,560 A 5/1995 Bamber
5,425,535 A 6/1995 Gee
D361,358 S 8/1995 Simmons
5,447,311 A 9/1995 Viollaz et al.
5,451,056 A 9/1995 Manning
D362,884 S 10/1995 Blough et al.
D362,885 S 10/1995 Blough et al.
- (73) Assignee: **PARSONS XTREME GOLF, LLC,** Scottsdale, AZ (US)
- (**) Term: **15 Years**
- (21) Appl. No.: **29/723,435**
- (22) Filed: **Feb. 6, 2020**
- Related U.S. Application Data**
- (63) Continuation-in-part of application No. 29/717,438, filed on Dec. 17, 2019, now abandoned, and a continuation-in-part of application No. 29/716,166, filed on Dec. 6, 2019, now abandoned, and a continuation-in-part of application No. 29/709,349, filed on Oct. 14, 2019, and a continuation-in-part of application No. 29/703,103, filed on Aug. 23, 2019, now Pat. No. Des. 921,787, and a continuation-in-part of application No. 29/698,109, filed on Jul. 15, 2019, now abandoned.
- (51) **LOC (13) Cl.** **21-02**
- (52) **U.S. Cl.**
USPC **D21/752**
- (58) **Field of Classification Search**
USPC D21/733, 752, 759
CPC A63B 53/00; A63B 53/04; A63B 53/0466;
A63B 2053/002; A63B 2053/0445; A63B
2053/0433; A63B 2053/0491; A63B
2053/0437; A63B 60/00; A63B 60/46
See application file for complete search history.
- (56) **References Cited**
U.S. PATENT DOCUMENTS
1,133,129 A 3/1915 Govan
1,269,745 A 6/1918 Robertson



US D933,148 S

D362,887 S	10/1995	Blough et al.	7,121,956 B2	10/2006	Lo
5,518,243 A	5/1996	Redman	7,128,663 B2	10/2006	Bamber
D370,514 S	6/1996	Blough et al.	D532,471 S *	11/2006	Oldknow D21/752
D371,816 S	7/1996	Yoshioka	D532,854 S *	11/2006	Oldknow D21/752
5,540,437 A	7/1996	Bamber	D534,595 S	1/2007	Hasebe
D378,111 S *	2/1997	Parente D21/752	D534,599 S	1/2007	Barez et al.
5,637,045 A	6/1997	Igarashi	7,156,751 B2	1/2007	Wahl et al.
D384,120 S *	9/1997	De La Cruz D21/752	7,166,040 B2	1/2007	Hoffman et al.
5,669,830 A	9/1997	Bamber	D536,401 S	2/2007	Kawami
D389,541 S	1/1998	Huan-Chiang	D536,403 S	2/2007	Kawami
D395,476 S	6/1998	Pond et al.	D537,495 S	2/2007	Schweigert et al.
5,766,091 A	6/1998	Humphrey et al.	7,182,698 B2	2/2007	Tseng
5,766,092 A	6/1998	Mimeur et al.	D538,363 S	3/2007	Schweigert et al.
5,788,584 A *	8/1998	Parente A63B 60/00 473/290	D538,371 S	3/2007	Kawami
D399,277 S	10/1998	Ezaki	7,186,190 B1	3/2007	Beach et al.
5,827,132 A	10/1998	Bamber	7,207,900 B2	4/2007	Nicolette et al.
D400,625 S	11/1998	Kubica et al.	D543,601 S	5/2007	Kawami
D400,627 S	11/1998	Kubica et al.	7,223,180 B2	5/2007	Willett et al.
D405,489 S	2/1999	Kubica et al.	D544,561 S *	6/2007	Oldknow D21/759
D405,492 S	2/1999	Kubica et al.	D550,800 S *	9/2007	Ruggiero D21/759
D408,485 S	4/1999	Takahashi et al.	D552,198 S	10/2007	Schweigert et al.
5,899,821 A	5/1999	Hsu et al.	D555,219 S	11/2007	Lin
5,935,016 A	8/1999	Antonious	D557,363 S	12/2007	Jertson et al.
D414,535 S	9/1999	Mertens	D558,287 S	12/2007	Jertson et al.
D421,080 S	2/2000	Chen	D558,288 S	12/2007	Jertson et al.
D426,276 S	6/2000	Besnard et al.	7,303,486 B2	12/2007	Imamoto
6,077,171 A	6/2000	Yoneyama	D559,932 S	1/2008	Belmont
D442,244 S *	5/2001	Olsavsky D21/752	D560,262 S	1/2008	Nguyen et al.
D442,659 S	5/2001	Kubica et al.	D561,284 S	2/2008	Nagai et al.
D443,008 S	5/2001	Kubica et al.	D562,421 S	2/2008	Jertson et al.
D444,830 S	7/2001	Kubica et al.	D563,498 S	3/2008	Jertson et al.
D445,862 S	7/2001	Ford	D564,054 S	3/2008	Jertson et al.
6,290,609 B1	9/2001	Takeda	D564,055 S	3/2008	Jertson et al.
D448,824 S	10/2001	Koizumi et al.	7,338,388 B2	3/2008	Schweigert et al.
D449,866 S	10/2001	Miller	7,347,794 B2	3/2008	Schweigert
D457,211 S	5/2002	Bakke	D567,317 S	4/2008	Jertson et al.
D469,833 S	2/2003	Roberts et al.	7,351,164 B2	4/2008	Schweigert et al.
D473,604 S	4/2003	Antonious	D569,933 S	5/2008	Jertson et al.
D473,605 S	4/2003	Petersen et al.	D569,934 S	5/2008	Jertson et al.
D475,107 S	5/2003	Madore	D569,935 S	5/2008	Schweigert et al.
D476,048 S	6/2003	Cleveland et al.	D569,936 S	5/2008	Schweigert et al.
D478,140 S	8/2003	Burrows	D569,942 S	5/2008	Jertson et al.
D478,949 S	8/2003	DeLaCruz	D570,937 S	6/2008	Schweigert et al.
D481,087 S	10/2003	Antonious	D570,938 S	6/2008	Jertson et al.
6,638,182 B2	10/2003	Kosmatka	7,396,299 B2	7/2008	Nicolette et al.
6,695,714 B1	2/2004	Bliss et al.	7,407,447 B2	8/2008	Beach et al.
6,702,693 B2	3/2004	Bamber	7,410,425 B2	8/2008	Willett et al.
6,773,360 B2	8/2004	Willett et al.	7,410,426 B2	8/2008	Willett et al.
6,780,123 B2	8/2004	Hasebe	7,419,441 B2	9/2008	Hoffman et al.
D497,963 S	11/2004	Toulon et al.	7,448,963 B2	11/2008	Beach et al.
D499,158 S *	11/2004	Imamoto D21/752	7,448,964 B2	11/2008	Schweigert et al.
6,811,496 B2	11/2004	Wahl et al.	D584,370 S	1/2009	Cleveland et al.
D499,779 S	12/2004	Mahaffey et al.	7,530,904 B2	5/2009	Beach et al.
D502,975 S	3/2005	Schweigert et al.	D594,518 S	6/2009	Schweigert
D503,204 S	3/2005	Nicolette et al.	D594,520 S	6/2009	Schweigert et al.
D507,320 S	7/2005	Roberts et al.	D594,521 S	6/2009	Jertson et al.
D507,615 S *	7/2005	Imamoto D21/752	D594,919 S	6/2009	Schweigert et al.
D508,545 S	8/2005	Roberts et al.	7,540,811 B2	6/2009	Beach et al.
D508,969 S	8/2005	Hasebe	D597,620 S	8/2009	Taylor et al.
6,923,733 B2	8/2005	Chen	7,568,985 B2	8/2009	Beach et al.
6,939,247 B1	9/2005	Schweigert et al.	7,578,753 B2	8/2009	Beach et al.
D513,051 S	12/2005	Barez et al.	D600,297 S	9/2009	Jertson et al.
D514,179 S	1/2006	Chen et al.	7,584,531 B2	9/2009	Schweigert et al.
D514,183 S	1/2006	Schweigert et al.	7,588,502 B2	9/2009	Nishino
D514,185 S	1/2006	Barez et al.	7,591,738 B2	9/2009	Beach et al.
D515,642 S	2/2006	Antonious	D603,472 S	11/2009	Schweigert et al.
D516,650 S	3/2006	Wolfe et al.	D604,783 S	11/2009	Nicolette et al.
D518,863 S	4/2006	Motoyoshi et al.	7,611,424 B2	11/2009	Nagai et al.
D520,585 S	5/2006	Hasebe	7,621,823 B2	11/2009	Beach et al.
D520,586 S	5/2006	Bingman	D605,715 S	12/2009	Barez et al.
D522,077 S	5/2006	Schweigert et al.	D606,605 S	12/2009	Wada et al.
D522,601 S	6/2006	Schweigert et al.	D607,070 S	12/2009	Wada et al.
D523,104 S	6/2006	Hasebe	D607,071 S	12/2009	Wada et al.
D523,498 S	6/2006	Chen et al.	7,632,194 B2	12/2009	Beach et al.
D523,501 S	6/2006	Nicolette et al.	7,658,686 B2	2/2010	Soracco
D523,917 S	6/2006	Wolfe et al.	D612,438 S	3/2010	Carlyle et al.
D524,889 S	7/2006	Yu et al.	D612,439 S	3/2010	Carlyle et al.
D526,694 S	8/2006	Schweigert et al.	7,713,142 B2	5/2010	Hoffman et al.
			7,717,804 B2	5/2010	Beach et al.

US D933,148 S

7,717,805 B2	5/2010	Beach et al.		D721,544 S	1/2015	Hollander	
D617,406 S	6/2010	Carlyle et al.		D722,351 S	2/2015	Parsons et al.	
D618,293 S	6/2010	Foster et al.		D722,352 S	2/2015	Nicolette et al.	
D618,746 S	6/2010	Jertson et al.		D723,120 S	2/2015	Nicolette	
D618,747 S	6/2010	Schweigert et al.		8,961,336 B1	2/2015	Parsons et al.	
D618,753 S	6/2010	Jertson et al.		D724,164 S	3/2015	Schweigert et al.	
D618,754 S	6/2010	Schweigert et al.		D725,208 S	3/2015	Schweigert	
7,744,484 B1	6/2010	Chao		8,979,671 B1 *	3/2015	DeMille	A63B 60/00
D619,182 S *	7/2010	Foster	D21/752				473/334
D621,893 S	8/2010	Nicolette et al.		D726,265 S	4/2015	Nicolette	
7,798,203 B2	9/2010	Schweigert et al.		D726,846 S	4/2015	Schweigert	
7,798,917 B2	9/2010	Nguyen et al.		D729,892 S	5/2015	Nicolette et al.	
7,815,521 B2	10/2010	Ban et al.		D733,234 S	6/2015	Nicolette	
7,846,040 B2	12/2010	Ban		D737,388 S *	8/2015	Tang	D21/759
7,846,041 B2	12/2010	Beach et al.		D738,449 S	9/2015	Schweigert	
D631,111 S *	1/2011	Bennett	D21/752	D739,487 S	9/2015	Schweigert	
D633,967 S	3/2011	Carlyle et al.		9,199,140 B1	12/2015	Schweigert et al.	
D635,626 S	4/2011	Nicolette		9,199,143 B1	12/2015	Parsons et al.	
7,927,229 B2	4/2011	Jertson et al.		D746,927 S	1/2016	Parsons et al.	
D638,893 S	5/2011	Schweigert et al.		D748,214 S	1/2016	Nicolette et al.	
D638,896 S	5/2011	Schweigert et al.		D748,215 S	1/2016	Parsons et al.	
7,938,738 B2	5/2011	Roach		D748,749 S	2/2016	Nicolette et al.	
7,963,861 B2	6/2011	Beach et al.		D753,251 S	4/2016	Schweigert et al.	
D643,490 S	8/2011	Wada et al.		D753,252 S	4/2016	Schweigert	
8,012,038 B1	9/2011	Beach et al.		D755,319 S	5/2016	Nicolette et al.	
D647,585 S	10/2011	Jertson et al.		D756,471 S	5/2016	Nicolette et al.	
8,062,150 B2	11/2011	Gilbert et al.		9,352,197 B2	5/2016	Parsons et al.	
8,088,025 B2	1/2012	Wahl et al.		D759,178 S	6/2016	Nicolette	
8,092,319 B1	1/2012	Cackett et al.		D760,334 S	6/2016	Schweigert et al.	
8,105,180 B1	1/2012	Cackett et al.		9,399,158 B2	7/2016	Parsons et al.	
D656,211 S *	3/2012	Foster	D21/752	D764,614 S	8/2016	Parsons et al.	
D658,248 S	4/2012	Nunez et al.		9,421,437 B2	8/2016	Parsons et al.	
D661,751 S	6/2012	Nicolette et al.		9,427,634 B2	8/2016	Parsons et al.	
D661,756 S	6/2012	Nicolette et al.		D767,696 S	9/2016	Parsons et al.	
8,221,262 B1	7/2012	Cackett et al.		D776,216 S	1/2017	Schweigert et al.	
8,246,487 B1	8/2012	Cackett et al.		D777,858 S	1/2017	Schweigert et al.	
8,257,196 B1 *	9/2012	Abbott	A63B 53/0466	9,555,295 B2	1/2017	Schweigert et al.	
			473/335	9,630,070 B2	4/2017	Parsons et al.	
8,257,197 B2	9/2012	Schweigert		D802,069 S	11/2017	Parsons et al.	
8,262,506 B2 *	9/2012	Watson	A63B 53/0466	D802,070 S	11/2017	Parsons et al.	
			473/334	D807,976 S	1/2018	Parsons et al.	
8,328,662 B2	12/2012	Nakamura et al.		D811,503 S *	2/2018	Bacon	D21/752
D673,630 S	1/2013	Schweigert		D812,703 S *	3/2018	Tang	D21/752
D673,632 S	1/2013	Schweigert et al.		D813,327 S *	3/2018	Kim	D21/752
8,371,957 B2	2/2013	Schweigert et al.		D813,329 S *	3/2018	Tang	D21/752
8,376,878 B2	2/2013	Bennett et al.		D814,582 S *	4/2018	Bacon	D21/752
D680,179 S	4/2013	Solheim et al.		D814,583 S *	4/2018	Stokke	D21/752
D681,142 S	4/2013	Fossum et al.		D814,584 S *	4/2018	Tang	D21/759
8,414,422 B2	4/2013	Peralta et al.		D815,223 S *	4/2018	Stokke	D21/752
8,485,919 B2 *	7/2013	Rice	A63B 60/02	D823,958 S *	7/2018	Stokke	D21/752
			473/334	D825,013 S *	8/2018	Milleman	D21/752
8,506,420 B2	8/2013	Hocknell et al.		D827,067 S	8/2018	Becktor et al.	
D689,156 S	9/2013	Stokke et al.		D827,745 S	9/2018	Schweigert et al.	
D691,230 S	10/2013	Chen et al.		D852,303 S *	6/2019	Parsons	D21/752
8,545,343 B2	10/2013	Boyd et al.		D852,304 S *	6/2019	Parsons	D21/752
8,562,457 B2	10/2013	Beach et al.		D852,305 S *	6/2019	Parsons	D21/752
8,574,094 B2	11/2013	Nicolette et al.		10,376,754 B2 *	8/2019	Parsons	A63B 60/006
8,608,587 B2	12/2013	Henrikson et al.		D865,886 S *	11/2019	Parsons	D21/752
8,628,431 B2	1/2014	Schweigert et al.		10,556,161 B2 *	2/2020	Jertson	A63B 53/0466
8,657,700 B2	2/2014	Nicolette et al.		D897,462 S *	9/2020	Parsons	D21/752
8,663,026 B2	3/2014	Blowers et al.		D897,463 S *	9/2020	Parsons	D21/752
8,690,710 B2	4/2014	Nicolette et al.		D909,511 S *	2/2021	Cyrulik	D21/752
D707,316 S	6/2014	Aguayo et al.		D909,517 S *	2/2021	Cyrulik	D21/759
D707,317 S	6/2014	Aguayo et al.		2002/0107087 A1	8/2002	Fagot	
8,753,230 B2	6/2014	Stokke et al.		2003/0139226 A1	7/2003	Cheng et al.	
8,777,778 B2	7/2014	Solheim et al.		2003/0176231 A1	9/2003	Hasebe	
8,784,232 B2	7/2014	Jertson et al.		2004/0204263 A1	10/2004	Fagot et al.	
8,790,196 B2	7/2014	Solheim et al.		2005/0009632 A1	1/2005	Schweigert et al.	
8,808,108 B2	8/2014	Schweigert		2005/0014573 A1	1/2005	Lee	
D712,989 S	9/2014	Gillig		2005/0119066 A1	6/2005	Stites et al.	
8,826,512 B2	9/2014	Schweigert		2005/0239569 A1	10/2005	Best et al.	
8,827,832 B2	9/2014	Breier et al.		2005/0277485 A1	12/2005	Hou et al.	
8,827,833 B2	9/2014	Amano et al.		2006/0105856 A1	5/2006	Lo	
8,845,455 B2	9/2014	Ban et al.		2006/0111200 A1	5/2006	Poynor	
D714,894 S *	10/2014	Tang	D21/759	2007/0032308 A1	2/2007	Fagot et al.	
D716,387 S	10/2014	Aguayo et al.		2007/0225084 A1	9/2007	Schweigert et al.	
D716,388 S	10/2014	Aguayo et al.		2007/0293344 A1	12/2007	Davis	
8,858,362 B1 *	10/2014	Leposky	A63B 53/0466	2008/0004133 A1	1/2008	Schweigert	
			473/334	2008/0058113 A1	3/2008	Nicolette et al.	

2008/0188322	A1	8/2008	Anderson et al.	
2008/0300065	A1	12/2008	Schweigert	
2009/0029790	A1	1/2009	Nicolette et al.	
2009/0029795	A1	1/2009	Schweigert et al.	
2010/0130306	A1	5/2010	Schweigert	
2010/0144461	A1	6/2010	Ban	
2010/0178999	A1	7/2010	Nicolette et al.	
2011/0111883	A1	5/2011	Cackett	
2011/0143858	A1	6/2011	Peralta et al.	
2011/0165963	A1	7/2011	Cackett et al.	
2011/0269567	A1	11/2011	Ban et al.	
2011/0294596	A1	12/2011	Ban	
2012/0202615	A1	8/2012	Beach	
2013/0137532	A1	5/2013	Deshmukh et al.	
2013/0225319	A1	8/2013	Kato	
2013/0281226	A1	10/2013	Ban	
2013/0288823	A1	10/2013	Hebreo	
2013/0303303	A1	11/2013	Ban	
2013/0303304	A1	11/2013	Sato	
2013/0310192	A1	11/2013	Wahl et al.	
2014/0080621	A1	3/2014	Nicolette et al.	
2014/0113739	A1*	4/2014	Jertson	A63B 60/04 473/291
2014/0128175	A1	5/2014	Jertson et al.	
2014/0274441	A1	9/2014	Greer	
2014/0274451	A1	9/2014	Knight et al.	
2015/0231454	A1	8/2015	Parsons et al.	
2015/0231806	A1	8/2015	Parsons et al.	
2019/0314690	A1*	10/2019	Schweigert	A63B 60/006
2020/0215397	A1*	7/2020	Parsons	A63B 53/04
2020/0230471	A1*	7/2020	Parsons	A63B 60/02

OTHER PUBLICATIONS

International Search Report and Written Opinion issued in connection with corresponding application No. PCT/US2015/016666, dated May 14, 2015 (8 pages).
 International Search Report and Written Opinion received in connection with PCT/US15/42484 dated Oct. 19, 2015 (12 pages).
 International Search Report and Written Opnion received in con-

nection with PCT Application PCTUS2015042282 dated Oct. 13, 2015 (12 pages).
 Kozuchowski. Zak, "Callaway Mack Daddy 2 PM Grind Wedges" (<http://www.golfwrx.com/276203/callaway-mack-daddy-2-pm-grind-wedges/>), www.golfwrx.com, GolfWRX Holdings, LLC, published Jan. 21, 2015.
 U.S. Appl. No. 29/512,313, Nicolette, "Golf Club Head," filed Dec. 18, 2014.
 Wall, Jonathan, "Details: Phil's Prototype Mack Daddy PM-Grind Wedge," (<http://www.pgatour.com/equipmentreport/2015/01/21/callaway-wedge.html>), www.pgatour.com, PGA Tour, Inc., published Jan. 21, 2015.

* cited by examiner

Primary Examiner — Mitchell I. Siegel

(57)

CLAIM

The ornamental design for a golf club head, as shown and described.

DESCRIPTION

FIG. 1 is a top perspective view of a golf club head;
 FIG. 2 is a bottom perspective view of the golf club head of FIG. 1;
 FIG. 3 is a front elevational view of the golf club head of FIG. 1;
 FIG. 4 is a rear elevational view of the golf club head of FIG. 1;
 FIG. 5 is a top view of the golf club head of FIG. 1;
 FIG. 6 is a bottom view of the golf club head of FIG. 1;
 FIG. 7 is a left side view of the golf club head of FIG. 1; and,
 FIG. 8 is a right side view of the golf club head of FIG. 1.
 The broken lines shown form no part of the claimed design.

1 Claim, 4 Drawing Sheets

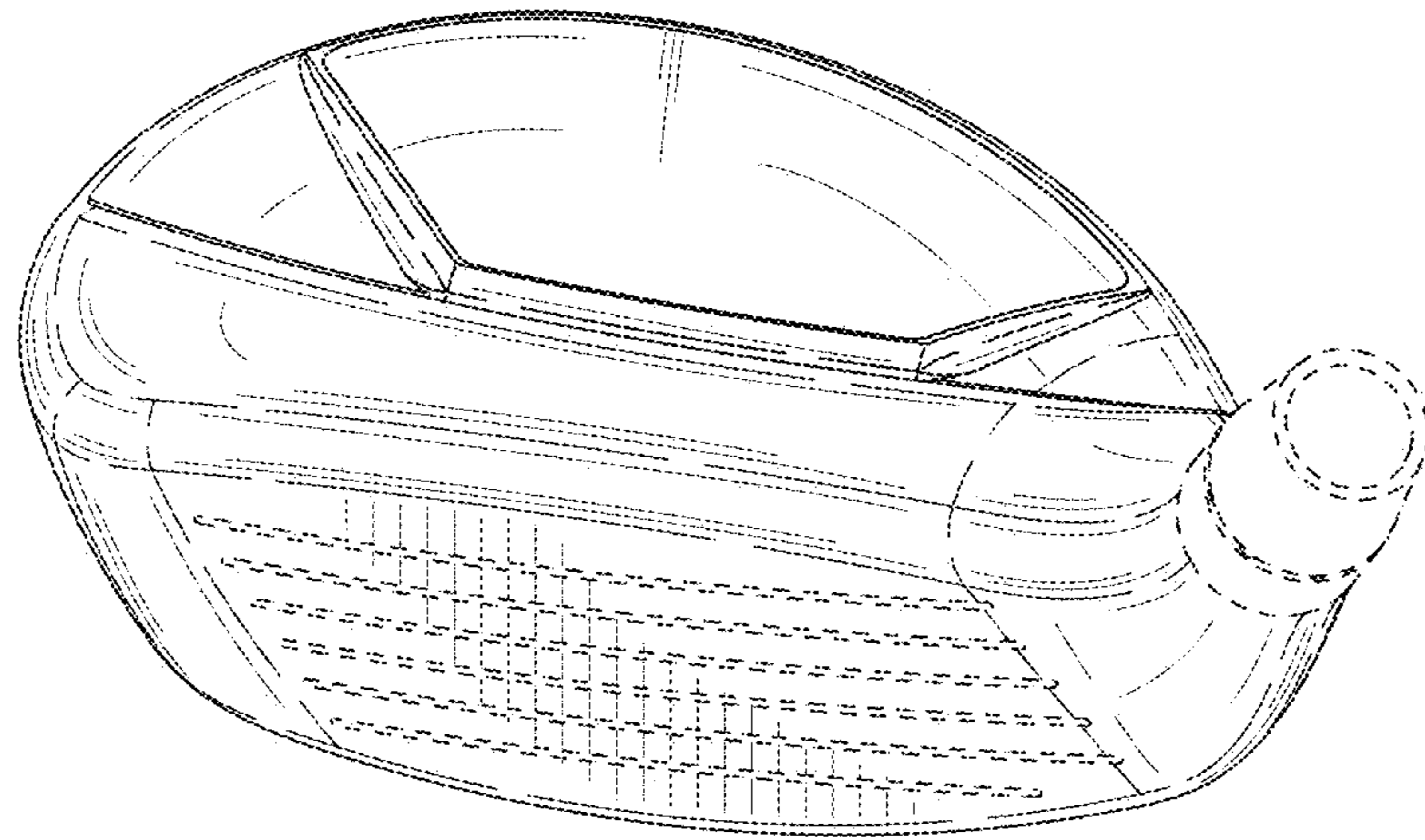


FIG. 1

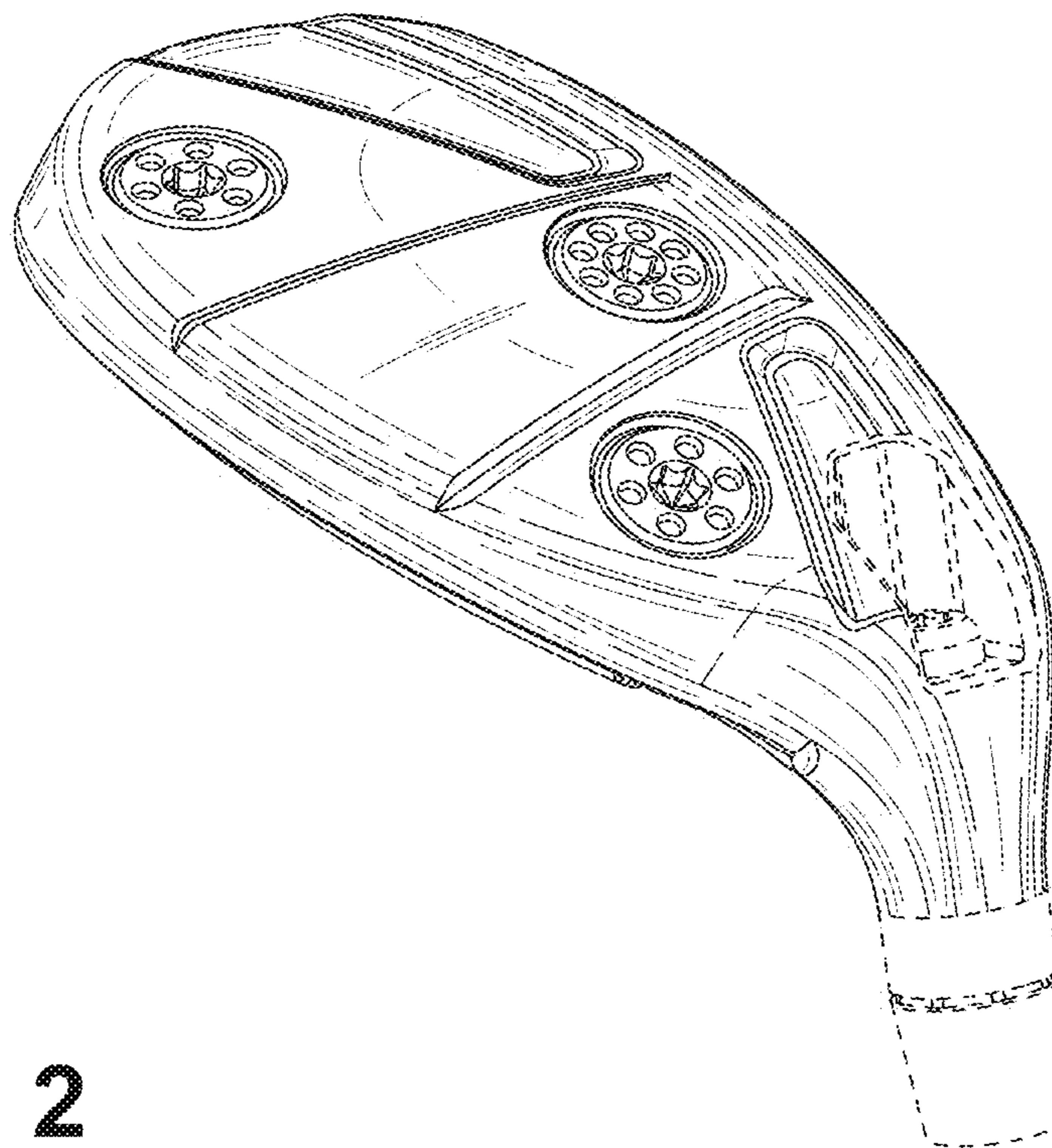


FIG. 2

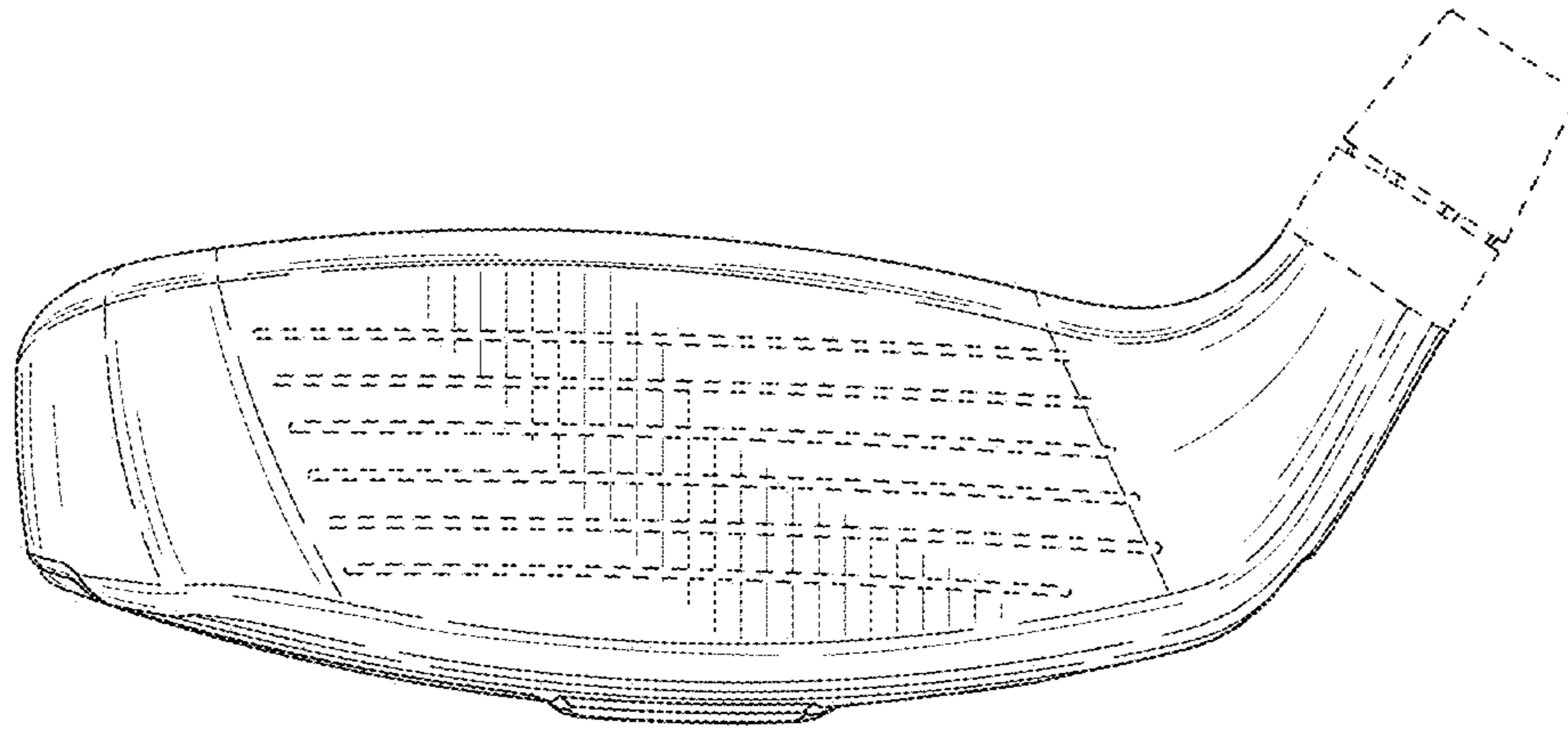


FIG. 3

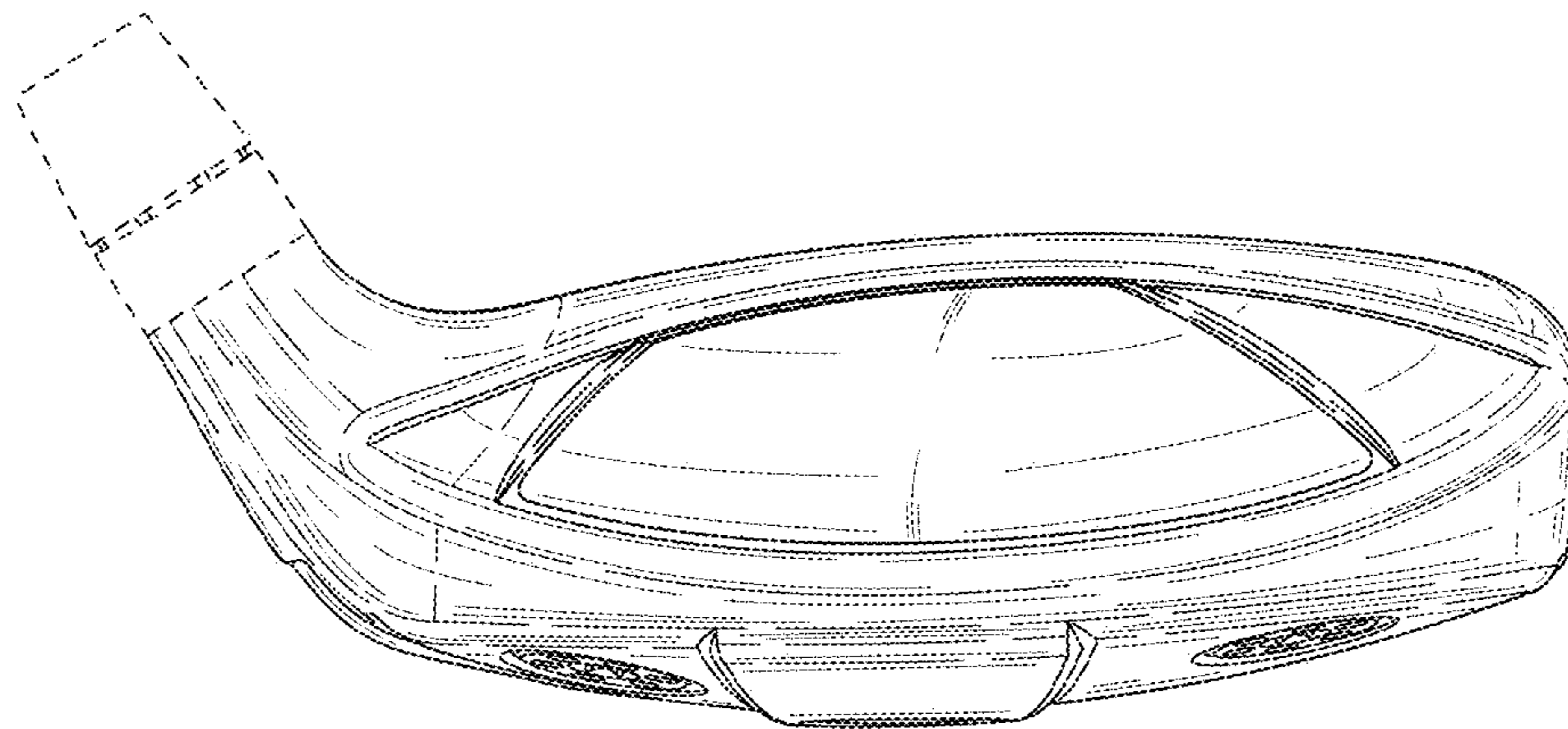


FIG. 4

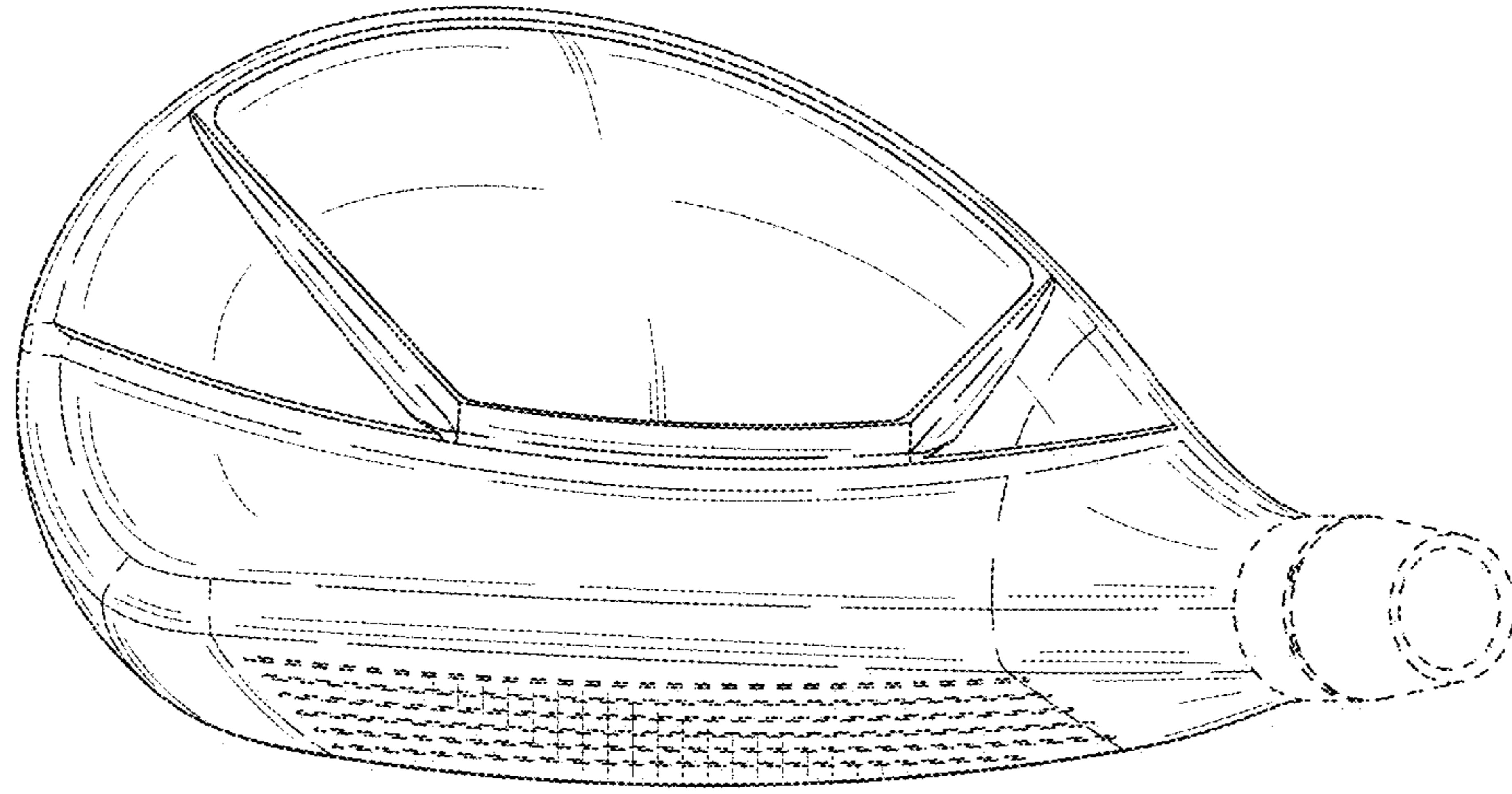


FIG. 5

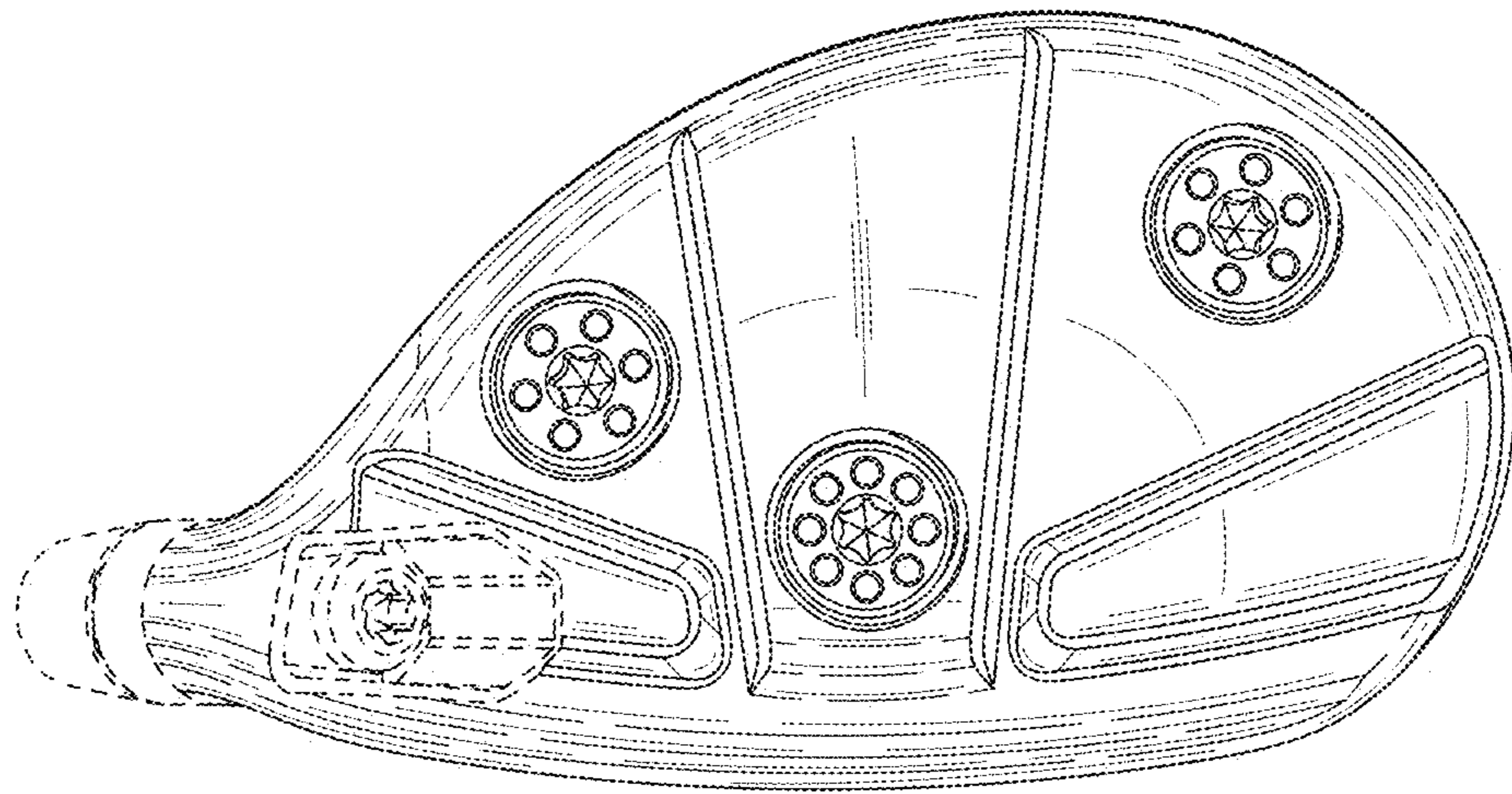


FIG. 6

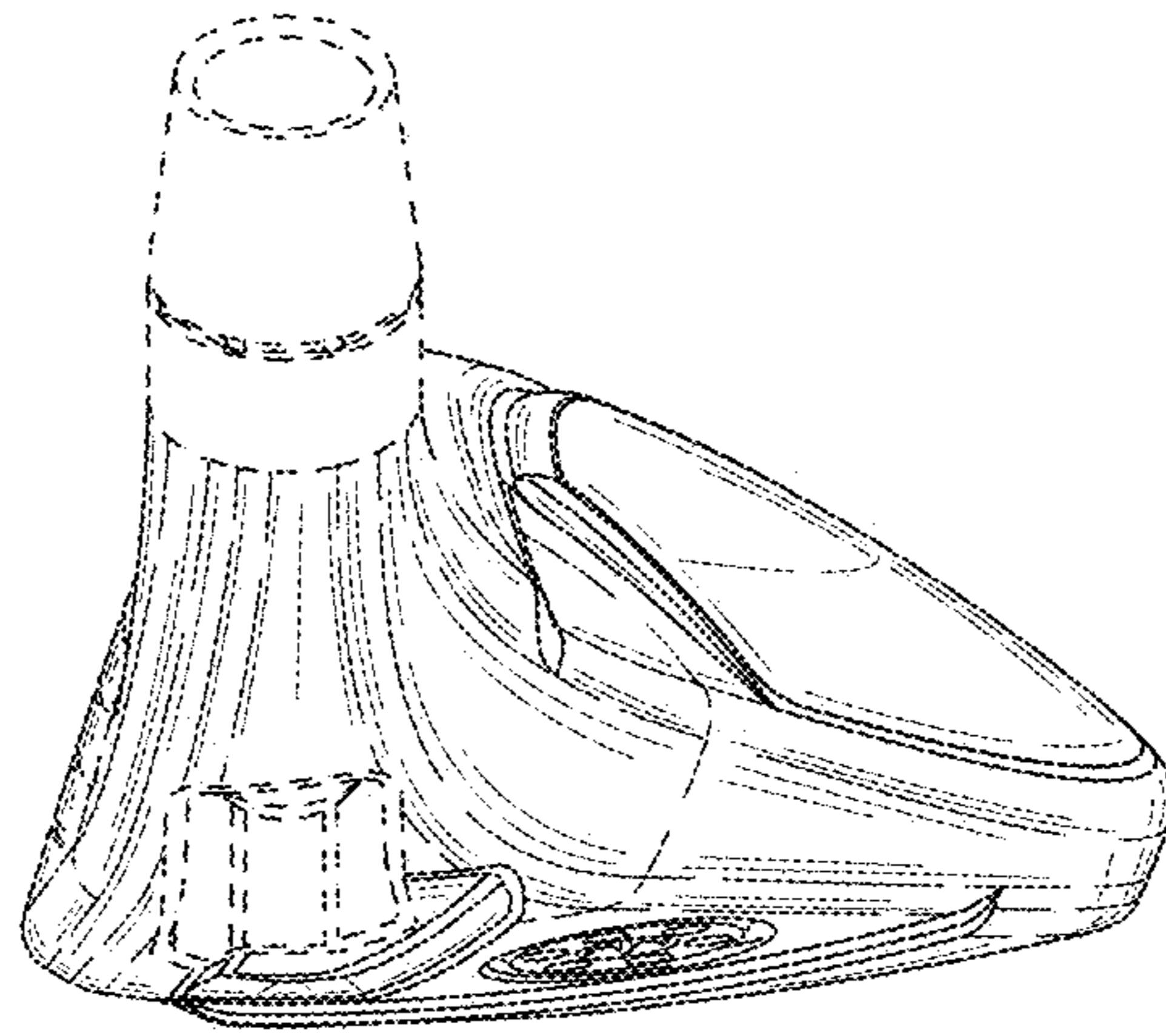


FIG. 7

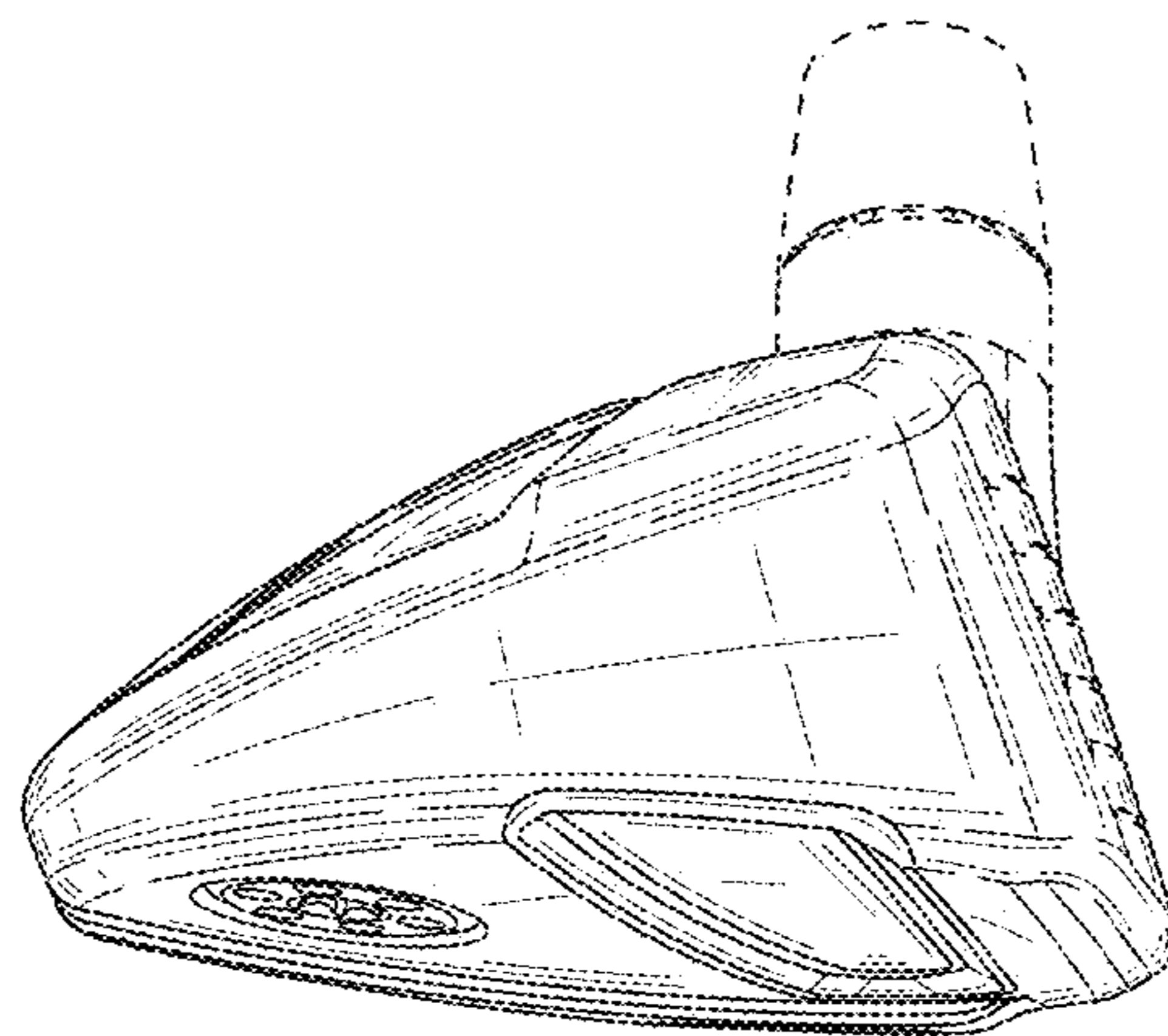


FIG. 8