



US00D933146S

(12) **United States Design Patent**
Wright

(10) **Patent No.:** **US D933,146 S**

(45) **Date of Patent:** **** Oct. 12, 2021**

(54) **GAMING DEVICE**

(71) Applicant: **Chris Wright**, Spring, TX (US)

(72) Inventor: **Chris Wright**, Spring, TX (US)

(**) Term: **15 Years**

(21) Appl. No.: **29/735,313**

(22) Filed: **May 20, 2020**

Related U.S. Application Data

(63) Continuation-in-part of application No. 16/377,850, filed on Apr. 8, 2019, now Pat. No. 10,688,348.

(51) **LOC (13) Cl.** **21-02**

(52) **U.S. Cl.**
USPC **D21/712; D21/385; D21/393**

(58) **Field of Classification Search**
USPC D21/300, 301, 385, 386, 392, 393, D21/707-714; D30/160; D99/34, 37; 473/569-571, 575, 576, 594-597
CPC A63B 37/00; A63B 37/0001; A63B 2037/065; A63B 41/00; A63B 43/00; A63B 43/002; A63B 43/04; A63B 65/00; A63B 65/10; A63B 67/002; A63B 67/06; A63B 69/0002; A63B 69/0046; A63B 69/002; A63B 2243/007; A63H 33/18
See application file for complete search history.

(56) **References Cited**

U.S. PATENT DOCUMENTS

- 2,931,653 A * 4/1960 Gow A63B 41/08 473/596
- D264,741 S * 6/1982 Patton D21/712
- 5,460,368 A * 10/1995 Pearson A63B 43/002 473/597
- D401,293 S * 11/1998 Alarid, Jr. D21/712
- D411,269 S * 6/1999 Albarelli, Jr. D21/712

- 5,941,785 A * 8/1999 Bartels A63B 41/085 473/596
- D483,822 S * 12/2003 Pelfrey D21/712
- 6,746,351 B1 * 6/2004 Goodman A63B 39/00 473/596
- 6,863,588 B1 * 3/2005 Chu A63B 43/00 446/46
- D505,462 S * 5/2005 Horkan D21/712
- D522,710 S * 6/2006 Beacham D99/37
- D536,757 S * 2/2007 Hedeem, Jr. D21/712
- D564,714 S * 3/2008 Axelrod D30/160
- D570,931 S * 6/2008 Krysiak D21/712
- D571,874 S * 6/2008 Krysiak D21/712
- 7,470,203 B1 * 12/2008 Stillinger A63B 37/12 473/574
- D599,965 S * 9/2009 Viola D30/160
- D639,360 S * 6/2011 Lederman D21/712
- 8,168,026 B1 * 5/2012 Brown A63B 45/00 156/245
- D695,370 S * 12/2013 Hedeem, Jr. D21/712

(Continued)

Primary Examiner — Catherine A Tuttle

(74) *Attorney, Agent, or Firm* — Pierson IP, PLLC

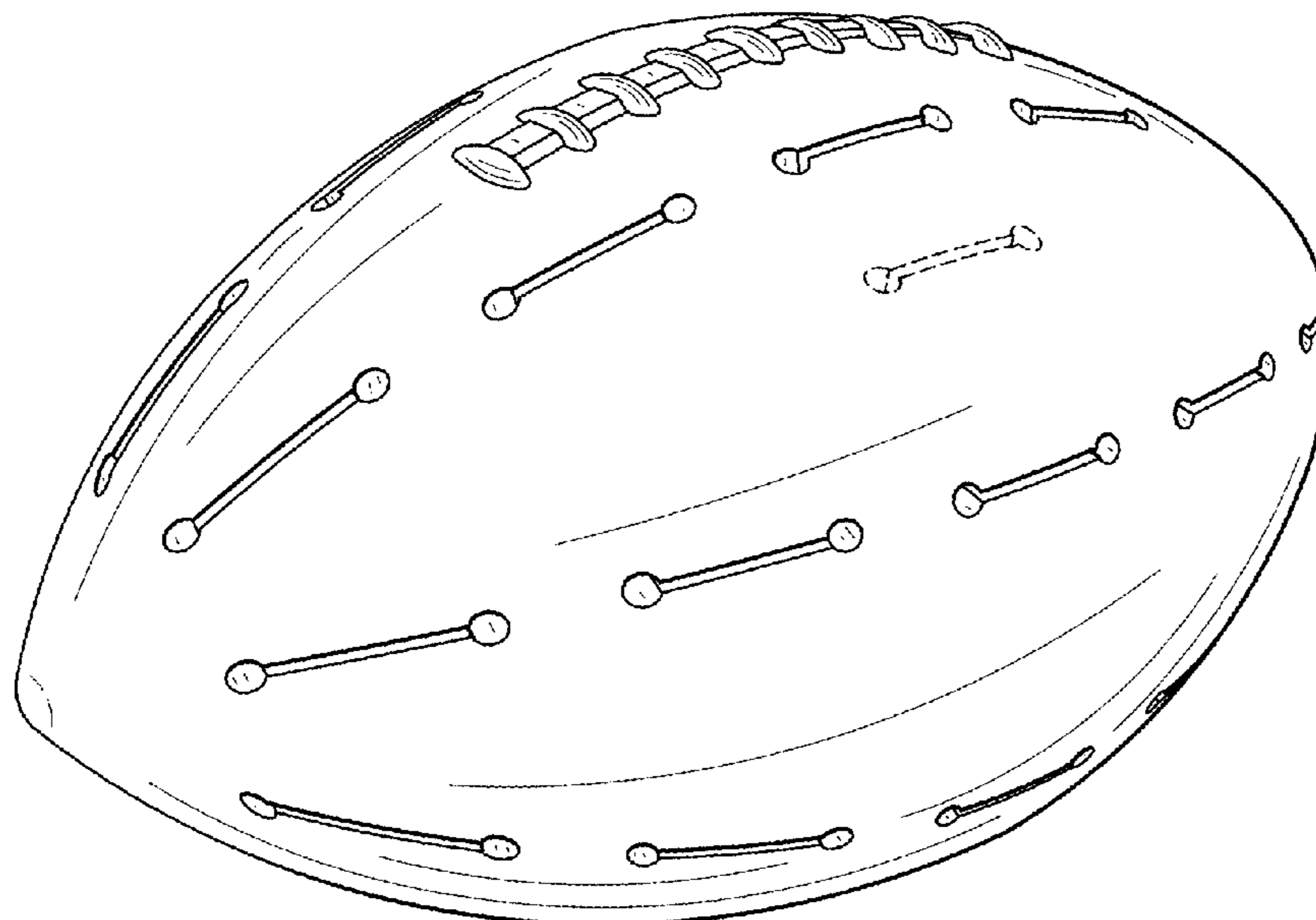
(57) **CLAIM**

The ornamental design for a gaming device, as shown and described.

DESCRIPTION

FIG. 1 is a perspective view of a gaming device showing our new design;
 FIG. 2 is a right side view thereof;
 FIG. 3 is a left side view thereof;
 FIG. 4 is a front view thereof;
 FIG. 5 is a rear view thereof;
 FIG. 6 is a top view thereof; and,
 FIG. 7 is a bottom view thereof.
 The broken lines shown in FIGS. 1, 2, 4, 5 and 6 depict a feature of the gaming device that forms no part of the claimed design.

1 Claim, 4 Drawing Sheets



(56)

References Cited

U.S. PATENT DOCUMENTS

2006/0205544 A1* 9/2006 Wyner A63B 41/00
473/569
2007/0178997 A1* 8/2007 Chang A63B 41/02
473/603
2008/0220915 A1* 9/2008 Frazier A63B 43/002
473/594
2010/0035710 A1* 2/2010 Smith A63B 43/06
473/570
2011/0111896 A1* 5/2011 Frazier A63B 39/06
473/604
2013/0130848 A1* 5/2013 Homsni A63B 60/00
473/570
2013/0260927 A1* 10/2013 Thurman A63B 41/00
473/595
2013/0337948 A1* 12/2013 Smith A63B 43/06
473/570
2015/0045160 A1* 2/2015 Lo A63B 45/00
473/604
2020/0038716 A1* 2/2020 Wright A63H 33/18

* cited by examiner

FIG. 1

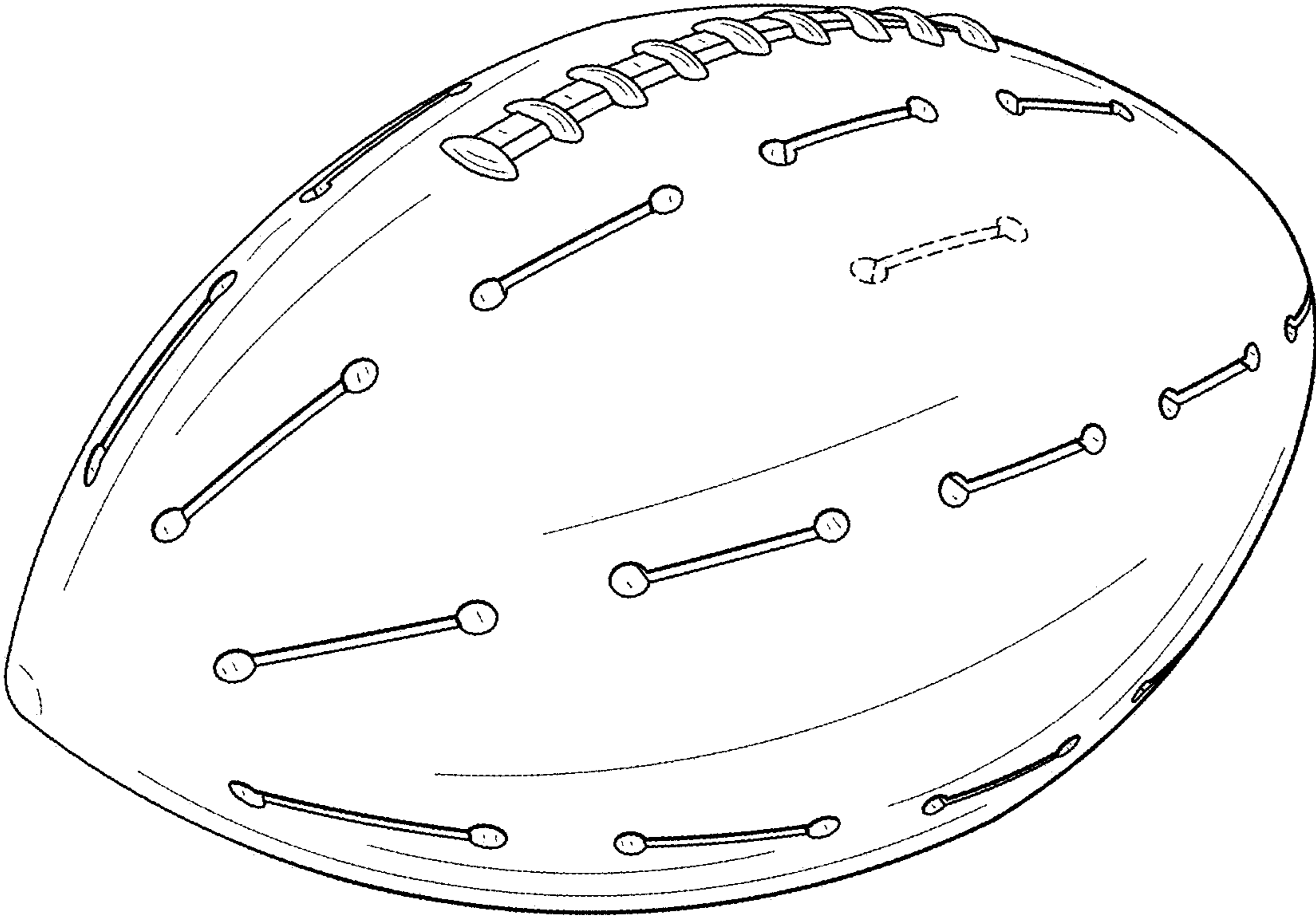


FIG. 2

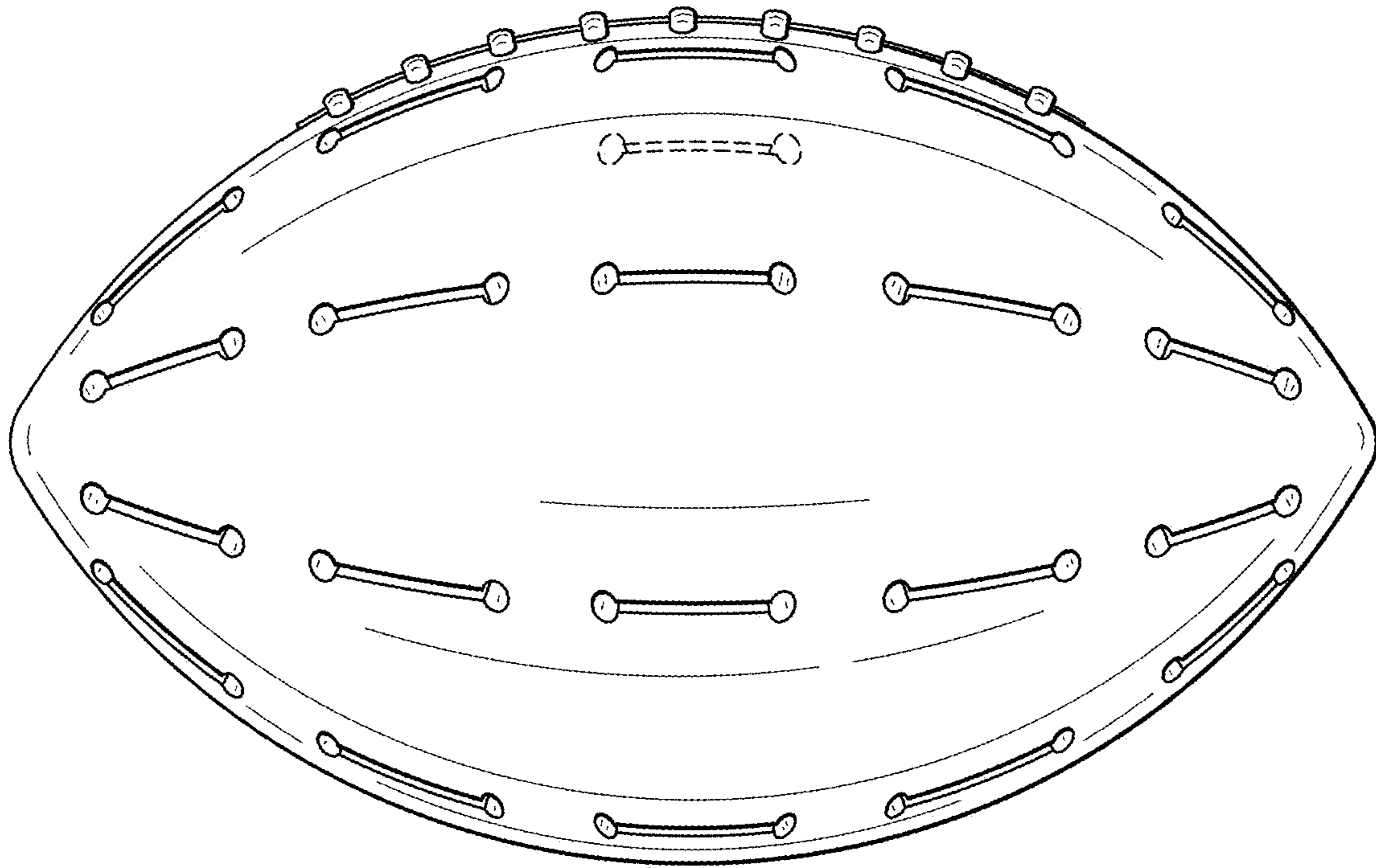


FIG. 3

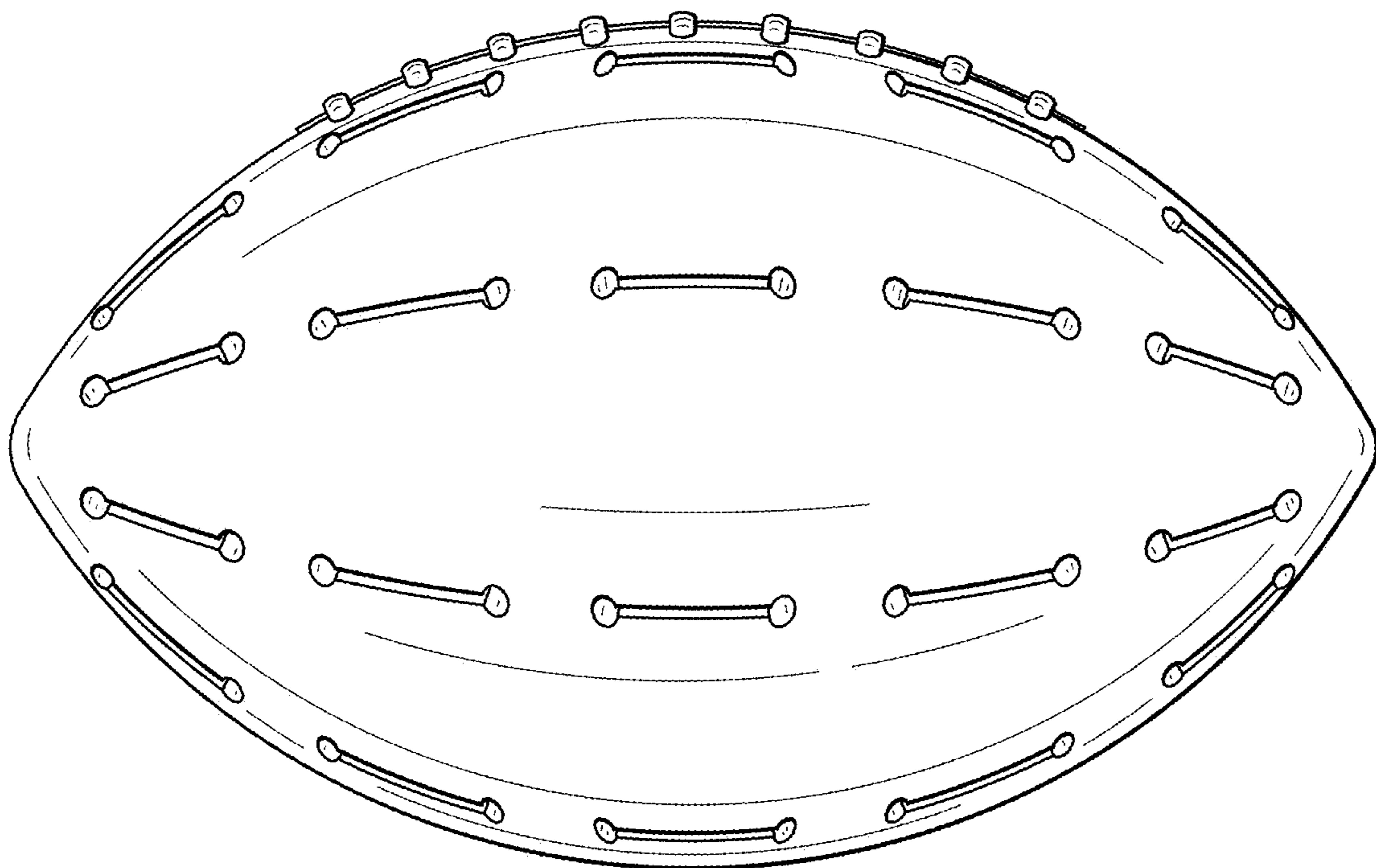


FIG. 4

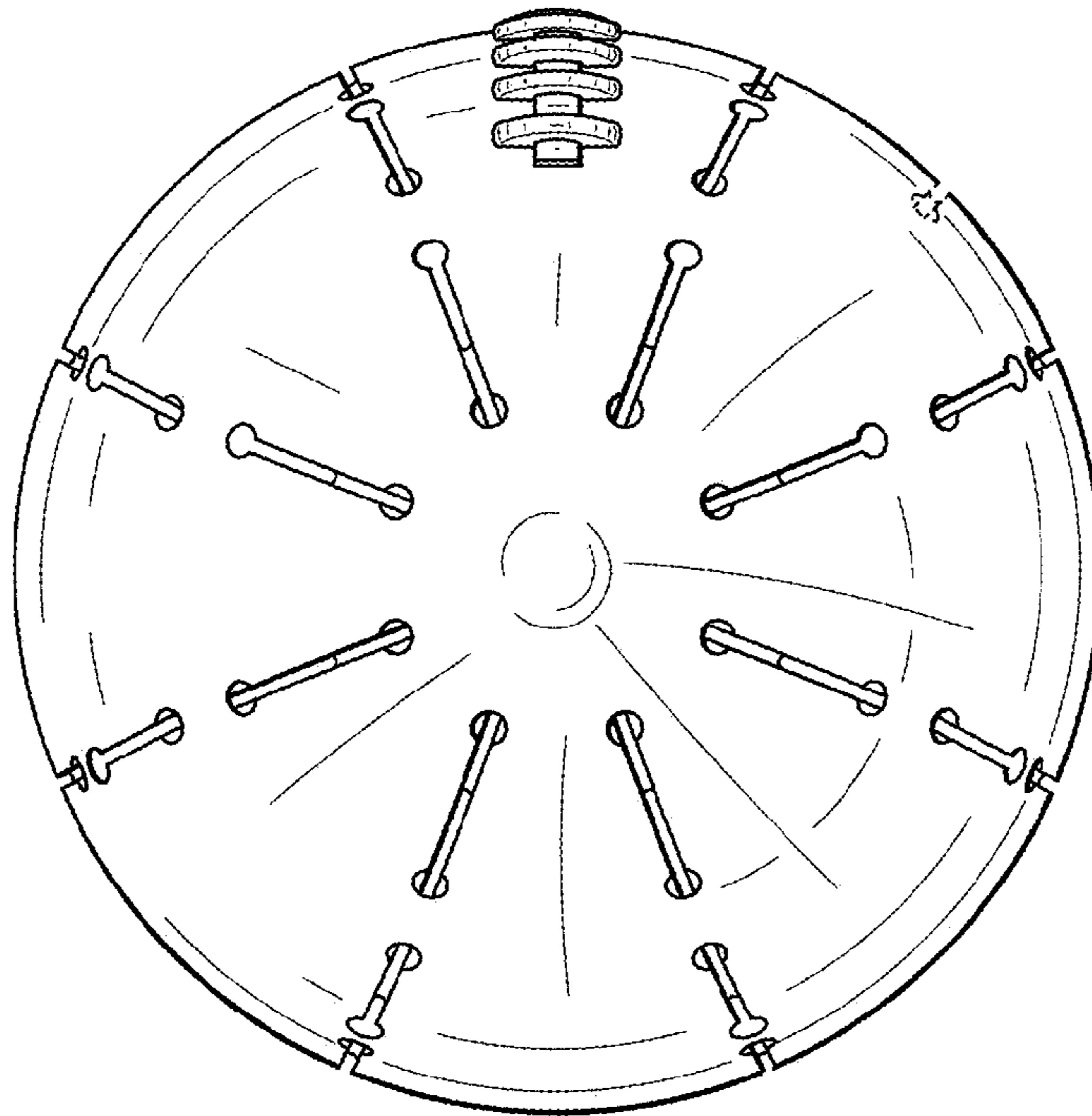


FIG. 5

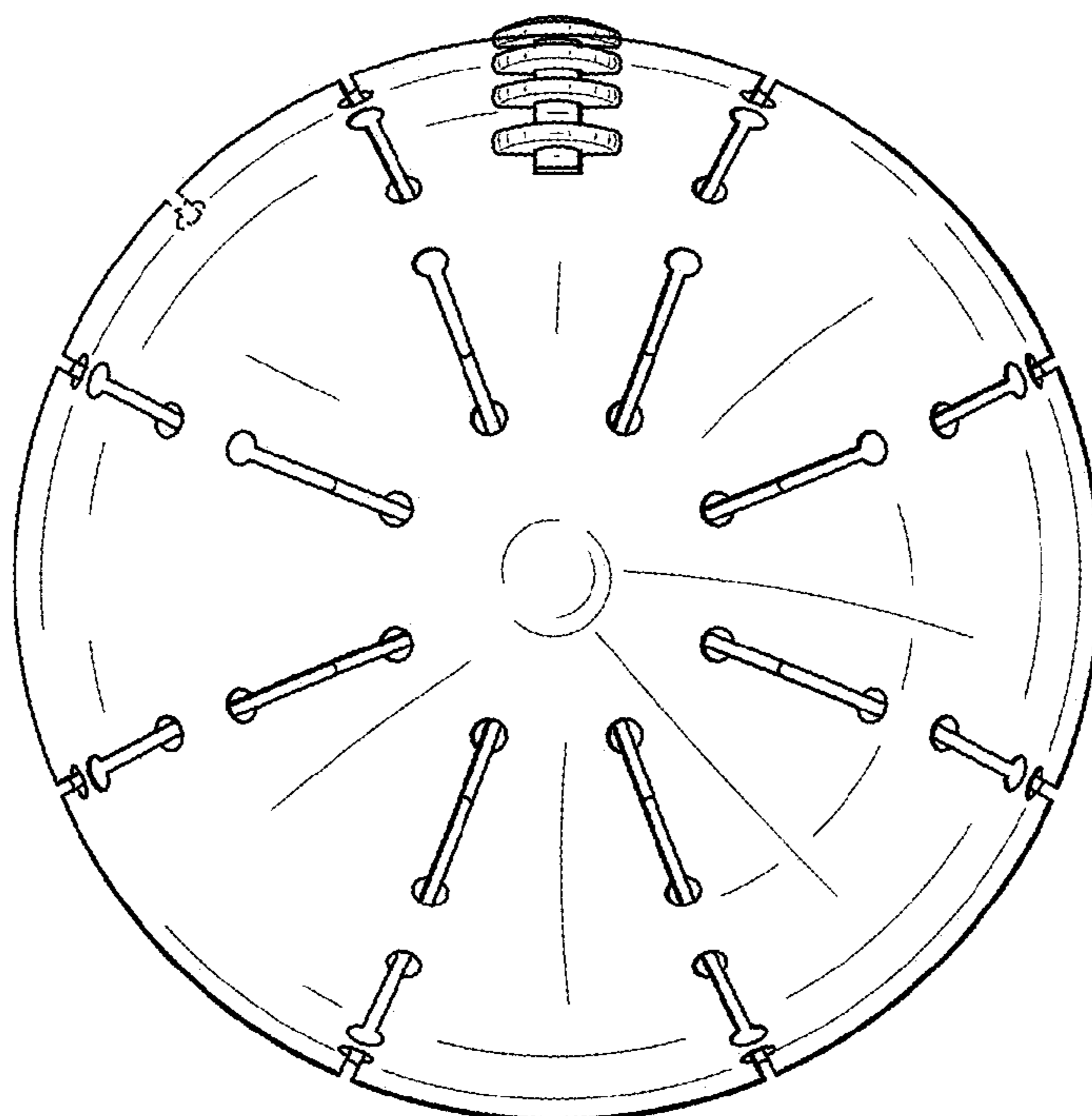


FIG. 6

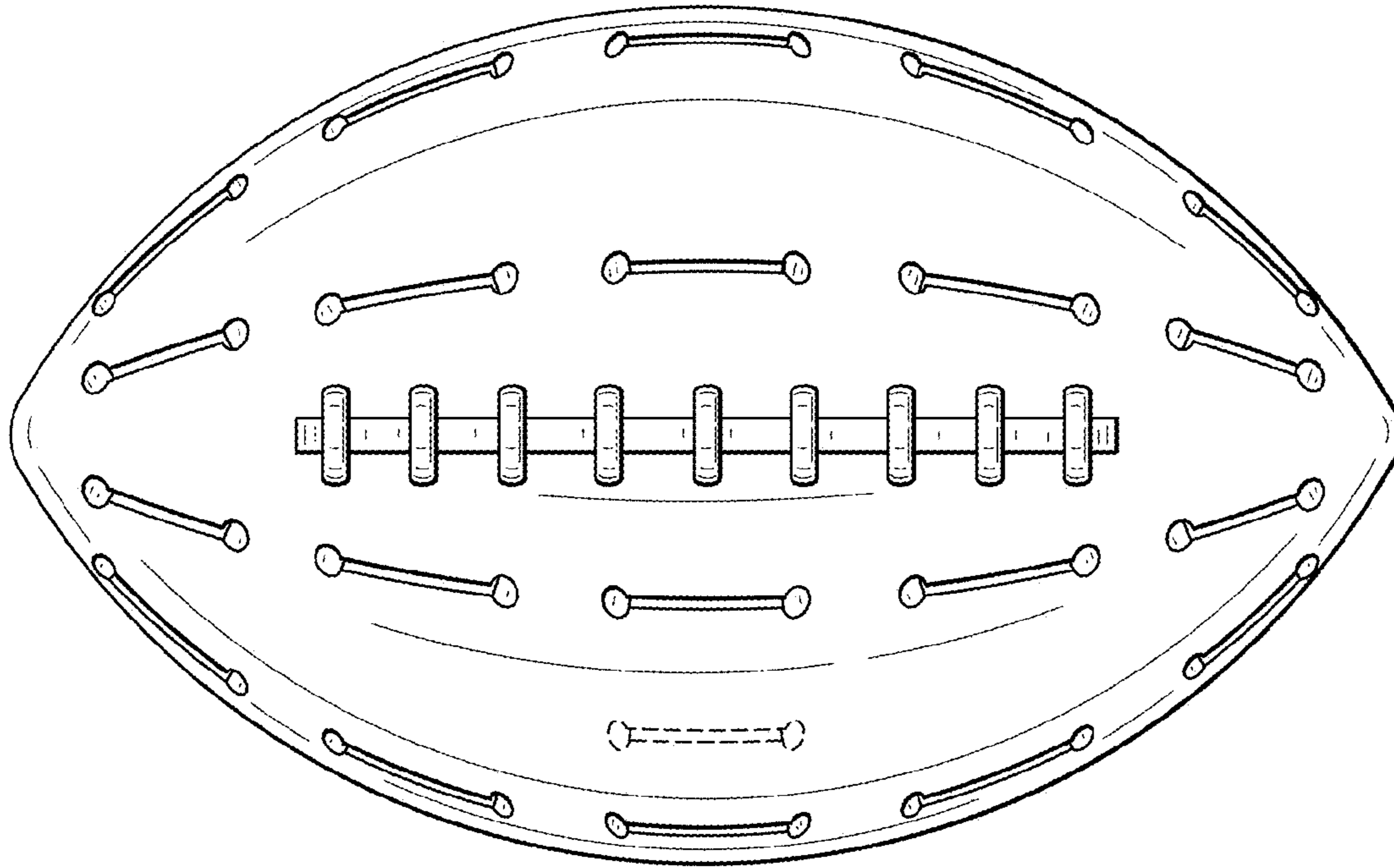


FIG. 7

