



US00D933144S

(12) **United States Design Patent**  
**Kushner**

(10) **Patent No.:** **US D933,144 S**  
(45) **Date of Patent:** **\*\* Oct. 12, 2021**

- (54) **TRAINING BAND**
- (71) Applicant: **T2 FITNESS PRODUCTS INC.,**  
Margate, FL (US)
- (72) Inventor: **Stephen Kushner,** Margate, FL (US)
- (73) Assignee: **T2 Fitness Products Inc.,** Margate, FL  
(US)
- (\*\*) Term: **15 Years**
- (21) Appl. No.: **29/721,040**
- (22) Filed: **Jan. 17, 2020**
- (51) **LOC (13) Cl.** ..... **21-02**
- (52) **U.S. Cl.**  
USPC ..... **D21/692**
- (58) **Field of Classification Search**  
USPC ..... D21/662, 690, 691, 692, 694, 683, 686,  
D21/671, 673, 679, 682, 685, 684, 687,  
D21/688, 693, 698, 771, 773, 774, 797,  
D21/798, 753, 756, 787, 807, 826;  
D29/113, 120.1, 791, 797, 190; D24/190  
CPC ..... A63B 3/00; A63B 21/0442; A63B 21/04;  
A61H 2015/0014; A61H 23/0262  
See application file for complete search history.

(56) **References Cited**

**U.S. PATENT DOCUMENTS**

- 605,237 A \* 6/1898 Spink ..... A63B 23/12  
482/129
- 4,121,827 A \* 10/1978 Weider ..... A63B 21/0004  
482/125
- D343,881 S \* 2/1994 Wilson ..... D21/662
- D346,632 S \* 5/1994 Castellanos ..... D21/692
- 6,921,354 B1 \* 7/2005 Shifferaw ..... A63B 21/068  
482/126
- D509,329 S \* 9/2005 Willner ..... D30/153
- D636,036 S \* 4/2011 Rios ..... D21/662

- 8,043,197 B2 \* 10/2011 Hetrick ..... A63B 21/018  
482/91
- 8,708,873 B2 \* 4/2014 Birch ..... A63B 21/0552  
482/129
- 8,979,716 B1 \* 3/2015 Rawlins ..... A63B 21/0442  
482/91
- 9,586,074 B2 \* 3/2017 Autogue ..... A63B 21/00065
- D794,728 S \* 8/2017 Thomson ..... D21/694

(Continued)

*Primary Examiner* — Khawaja Anwar

*Assistant Examiner* — Julice Seung Eun Oum

(74) *Attorney, Agent, or Firm* — Laurence A. Greenberg;  
Werner H. Stemer; Ralph E. Locher

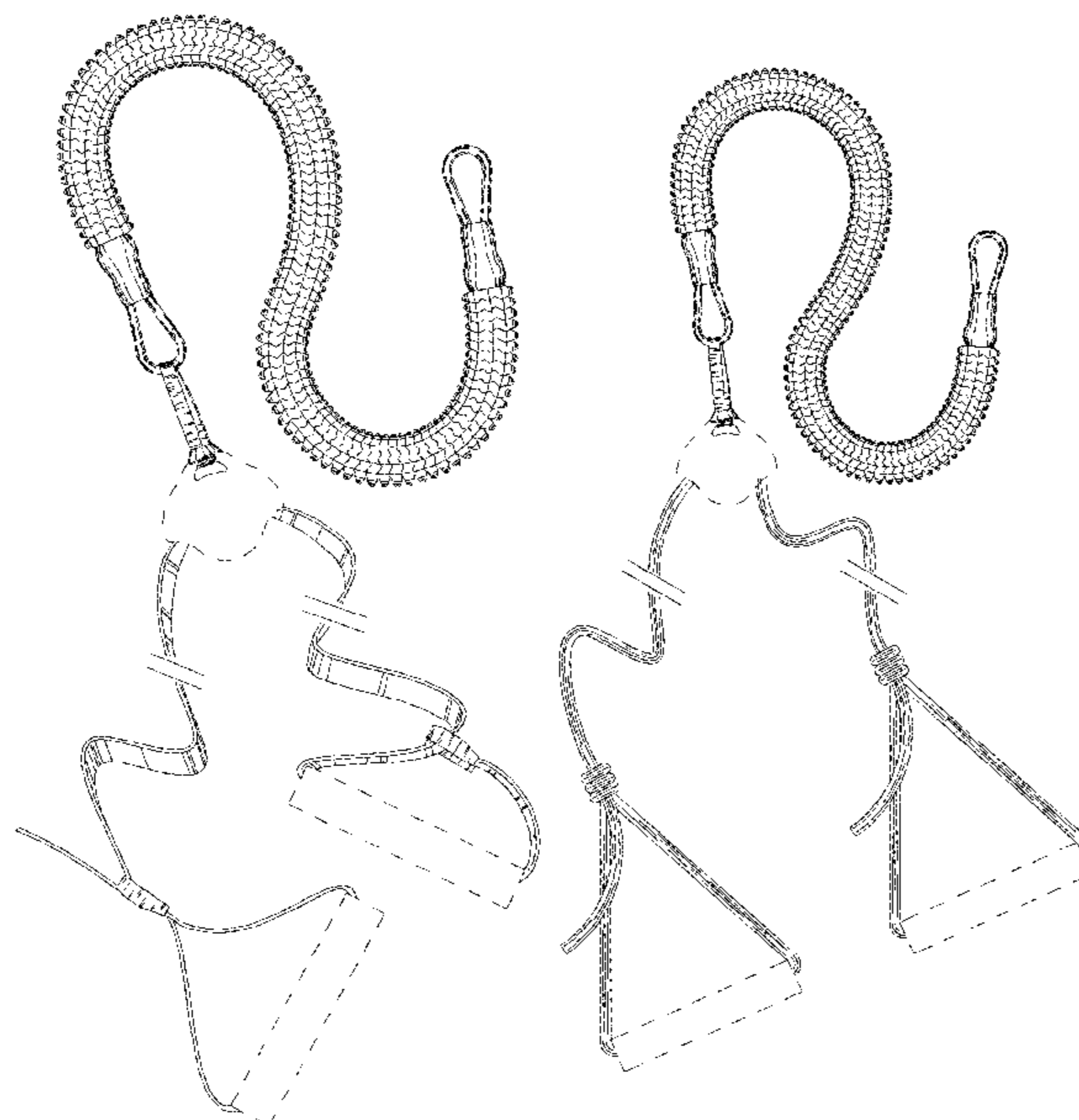
(57) **CLAIM**

The ornamental design for a training band, as shown and described.

**DESCRIPTION**

FIG. 1 is a perspective view of the training band, showing my new design;  
 FIG. 2 is a front elevation view thereof;  
 FIG. 3 is a right side elevation view thereof, the left side being a mirror image thereof;  
 FIG. 4 is a front elevation view thereof in an expanded state;  
 FIG. 5 is a perspective view of a second embodiment of the training band, showing my new design;  
 FIG. 6 is a front elevation view thereof;  
 FIG. 7 is a right side elevation view thereof, the left side being a mirror image thereof; and,  
 FIG. 8 is a front elevation view thereof in an expanded state.  
 The broken lines depict environmental structure (e.g., connectors between claimed elements of the band) and do not form a part of the claim.  
 The portion of the training band with the handles is illustrated with break lines, indicating an indeterminate length of the band. Neither the break lines, nor the space between the break lines, form a part of the claimed invention.

**1 Claim, 2 Drawing Sheets**



(56)

**References Cited**

U.S. PATENT DOCUMENTS

D891,542 S \* 7/2020 Li ..... D21/692  
D911,464 S \* 2/2021 Lu ..... D21/692  
2005/0170937 A1\* 8/2005 van Straaten ..... A63B 21/1654  
482/124  
2012/0053027 A1\* 3/2012 Hetrick ..... A63B 21/1663  
482/124  
2016/0287923 A1\* 10/2016 Santa ..... A63B 21/0552  
2018/0318631 A1\* 11/2018 Siu ..... A63B 21/4043  
2020/0215377 A1\* 7/2020 Jones, II ..... A63B 21/0442  
2020/0376342 A1\* 12/2020 Mumford ..... A63B 27/02

\* cited by examiner

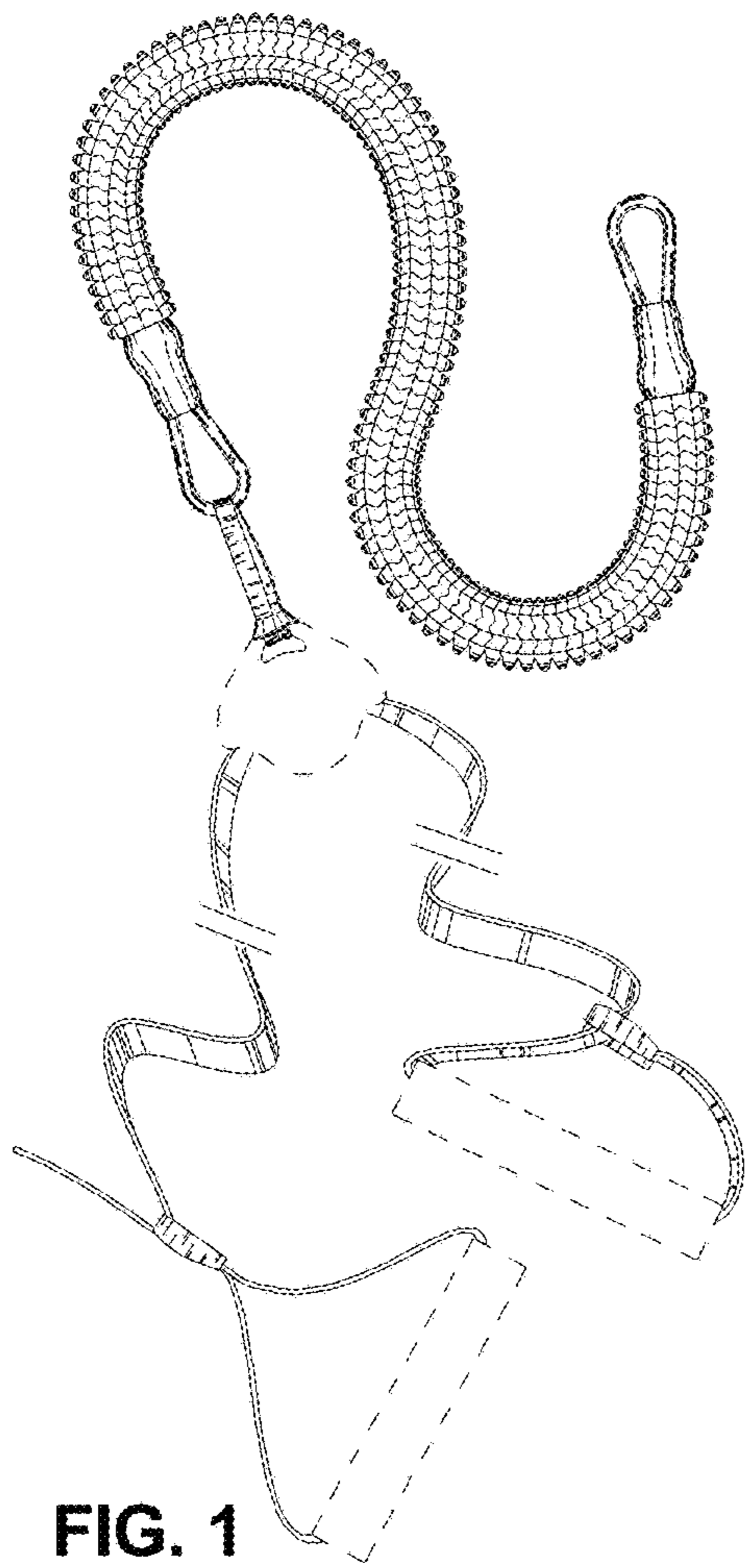


FIG. 1

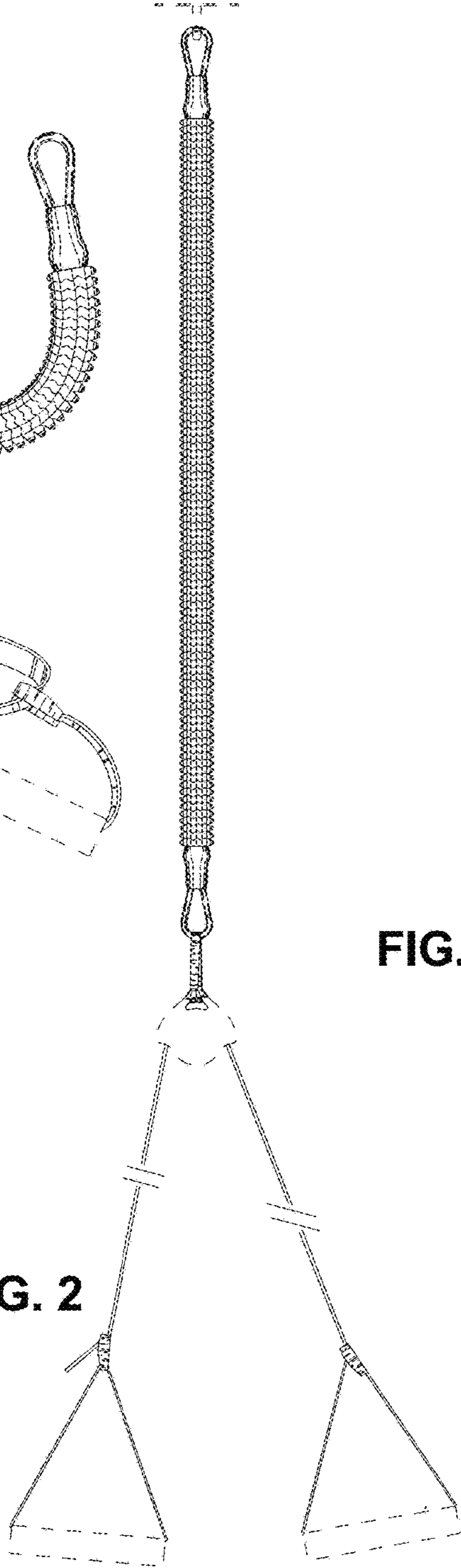


FIG. 2

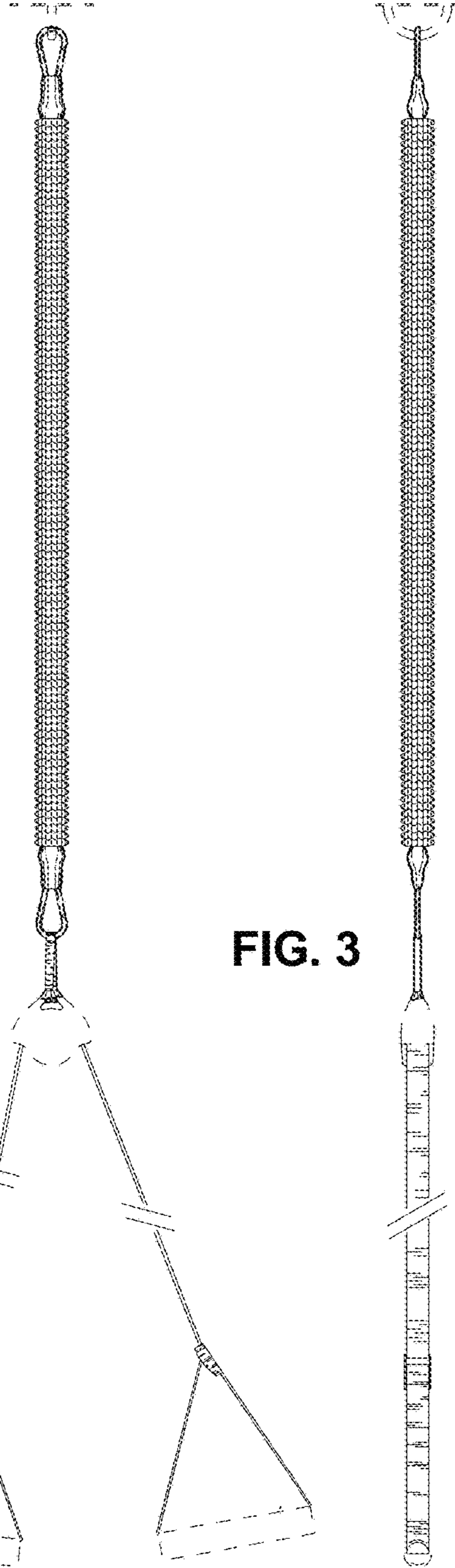


FIG. 3

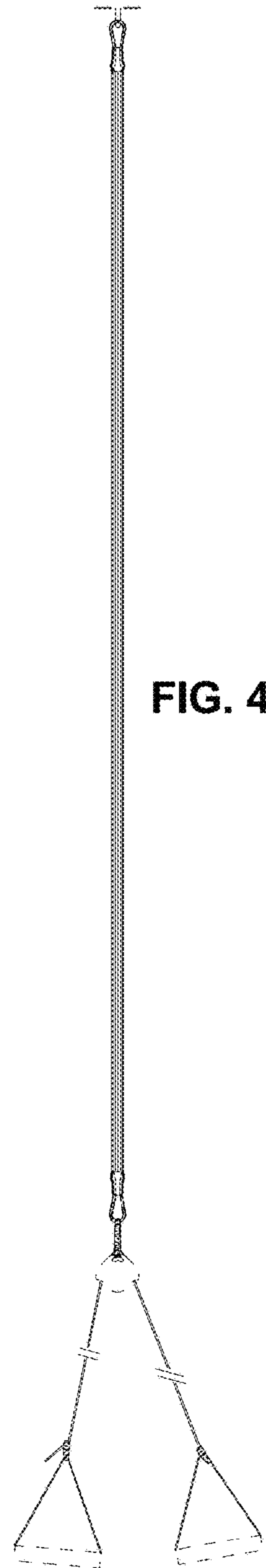


FIG. 4

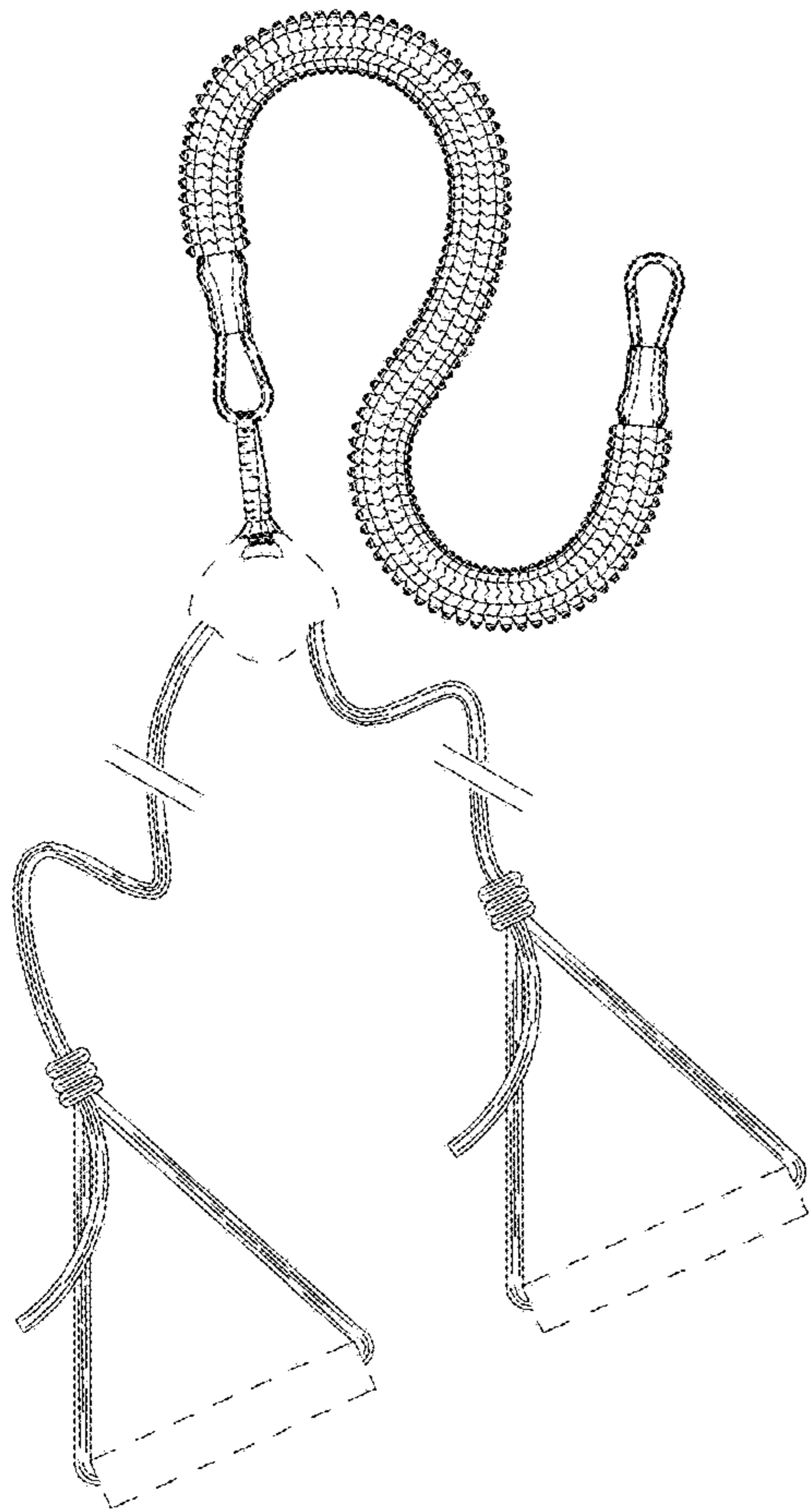


FIG. 5

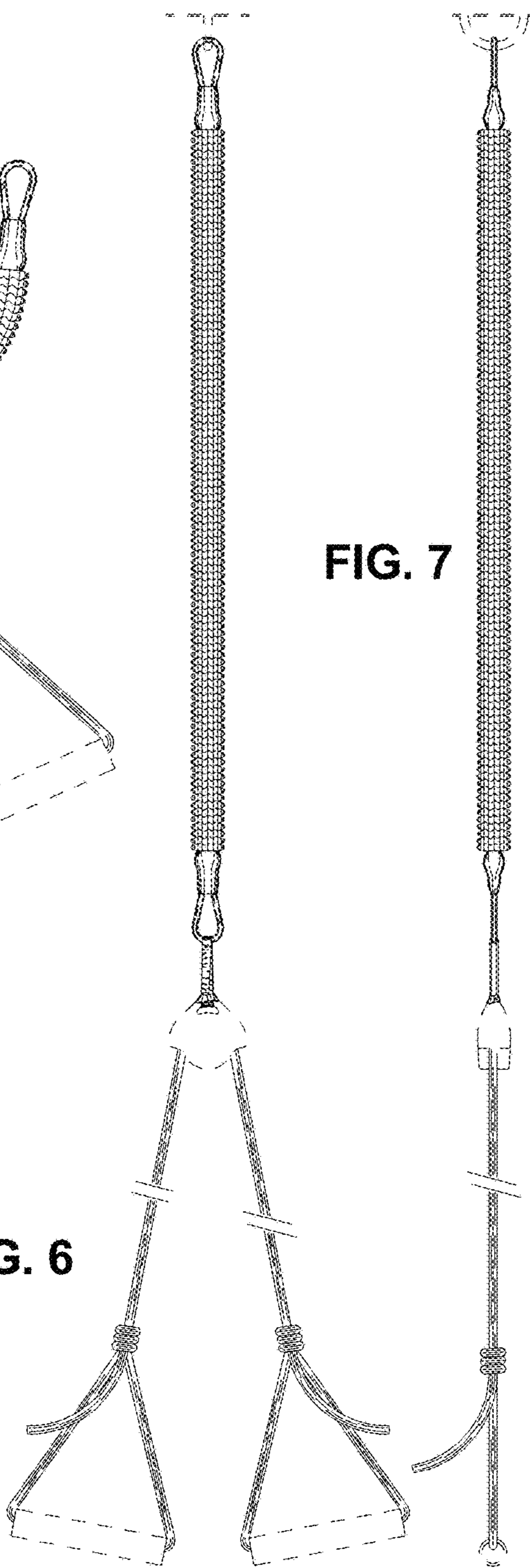


FIG. 7

FIG. 6

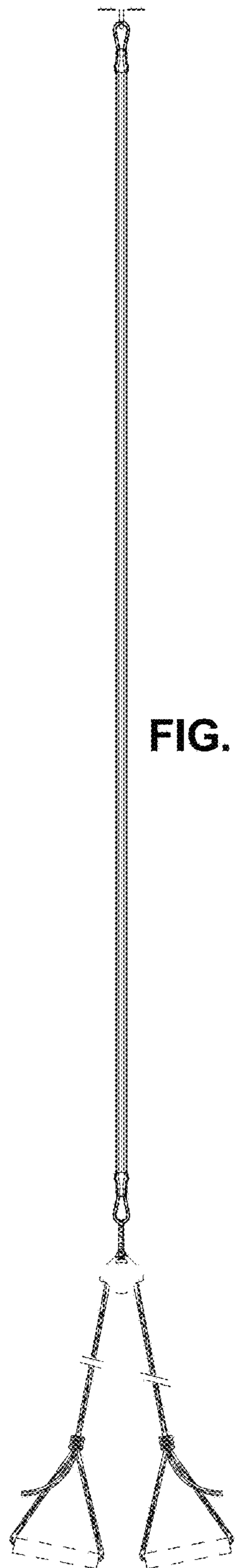


FIG. 8