



US00D933143S

(12) **United States Design Patent** (10) **Patent No.:** **US D933,143 S**
Saragoni et al. (45) **Date of Patent:** **** Oct. 12, 2021**

(54) **BENCH FOR GYMNASTIC USE**
(71) Applicant: **TECHNOGYM S.p.A.**, Cesena (IT)
(72) Inventors: **Simone Saragoni**, Cesena (IT); **Simone Casagrande**, Cesena (IT)
(73) Assignee: **TECHNOGYM S.p.A.**, Cesena (IT)
(**) Term: **15 Years**
(21) Appl. No.: **29/711,626**
(22) Filed: **Nov. 1, 2019**

10,092,791 B2 * 10/2018 Donnelly B65D 21/0204
D835,926 S * 12/2018 Abatemarco, Jr. D6/675
D871,528 S * 12/2019 Donnelly D21/686
D874,193 S * 2/2020 Goodman D6/675.5
D876,130 S * 2/2020 Dash D6/671
10,576,352 B2 * 3/2020 Vester A63B 21/4029
2017/0100622 A1 * 4/2017 Wall A63B 21/4029
2020/0054130 A1 * 2/2020 Dash A47B 31/02

(30) **Foreign Application Priority Data**
May 2, 2019 (EM) 006414181
(51) **LOC (13) Cl.** **21-02**
(52) **U.S. Cl.**
USPC **D21/690**
(58) **Field of Classification Search**
USPC D21/687, 690, 662; D6/334, 342, 349,
D6/352, 353, 354, 373, 377, 652.2, 653,
D6/653.1, 657, 659, 668, 668.2, 671.1,
D6/675, 684, 705.1
CPC A47C 11/00; A47C 3/18; A47B 39/00
See application file for complete search history.

OTHER PUBLICATIONS

Fitbench, announced 2018 [online], [site visited Mar. 2, 2021]. Available on internet, URL:https://www.youtube.com/watch?v=xHAOS5r3LSE (Year: 2018).*

* cited by examiner

Primary Examiner — Khawaja Anwar
Assistant Examiner — Julice Seung Eun Oum
(74) *Attorney, Agent, or Firm* — Thomas I Horstemeyer, LLP

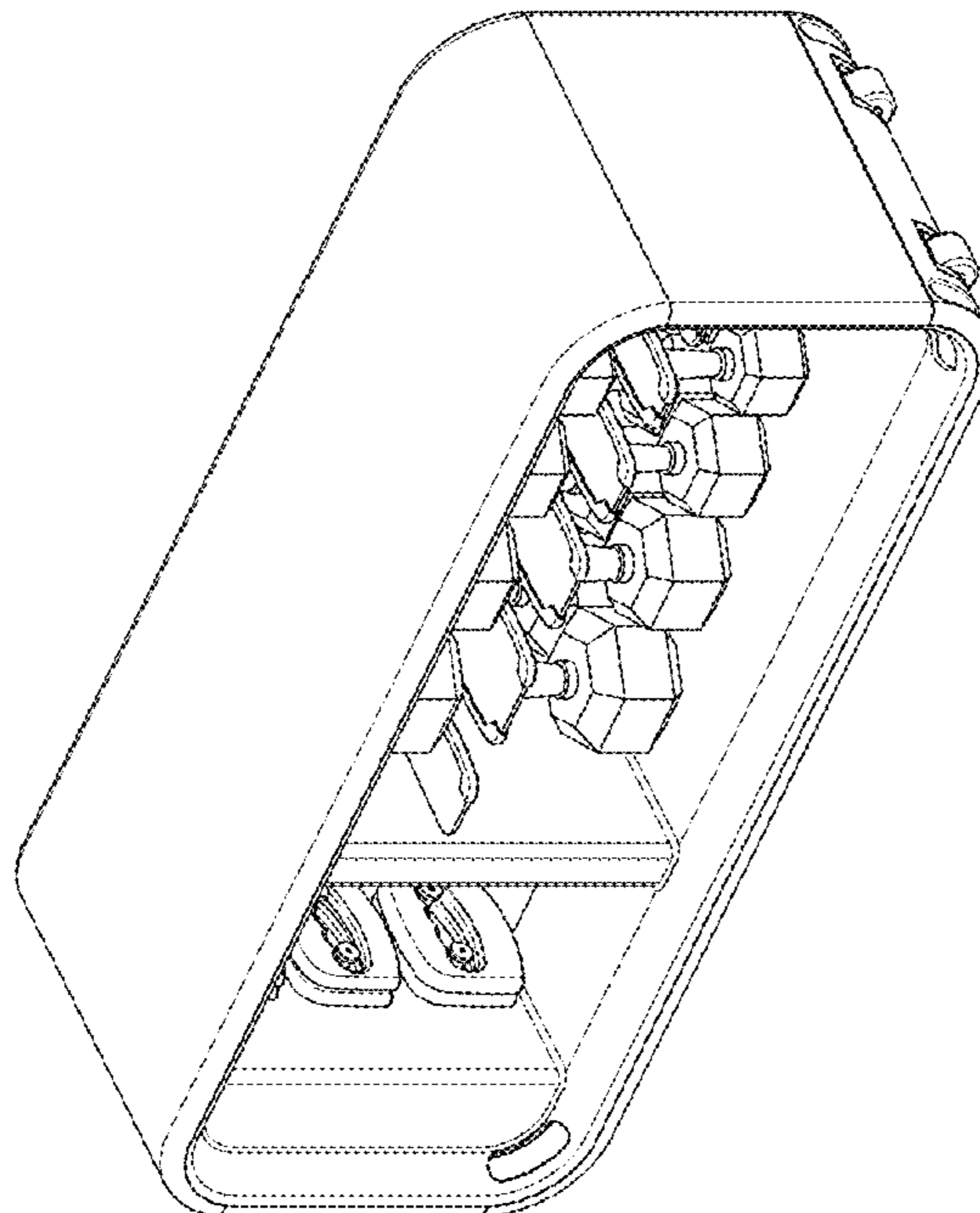
(56) **References Cited**
U.S. PATENT DOCUMENTS
D245,300 S * 8/1977 Mathus D6/569
D517,352 S * 3/2006 Wicha D6/675
D615,776 S * 5/2010 Bauchet D6/675
D701,536 S * 3/2014 Shakal D15/7
D728,975 S * 5/2015 Park D6/657
D787,238 S * 5/2017 Miller D6/657
D831,762 S * 10/2018 Donnelly D21/690

(57) **CLAIM**
The ornamental design for a bench for gymnastic use, as shown and described.

DESCRIPTION

FIG. 1 is a top perspective view of a bench for gymnastic use, showing our new design;
FIG. 2 is a side view thereof;
FIG. 3 is a side view thereof, opposite FIG. 2;
FIG. 4 is an end view thereof;
FIG. 5 is an end view thereof, opposite FIG. 4;
FIG. 6 is a top view thereof; and,
FIG. 7 is a bottom view thereof.
The broken lines shown in the drawings illustrate portions of the bench for gymnastic use that form no part of the claimed design

1 Claim, 7 Drawing Sheets



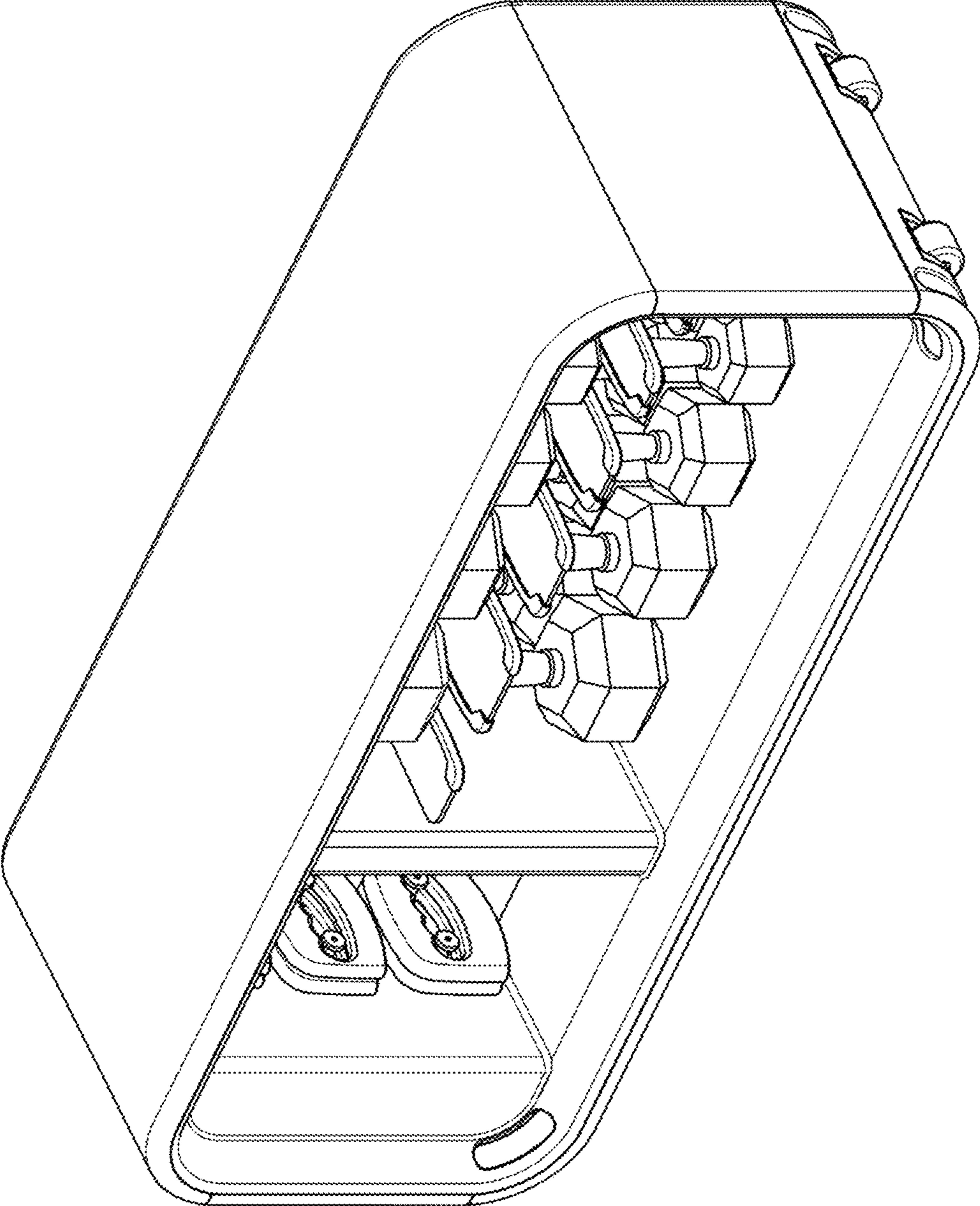


FIG. 1

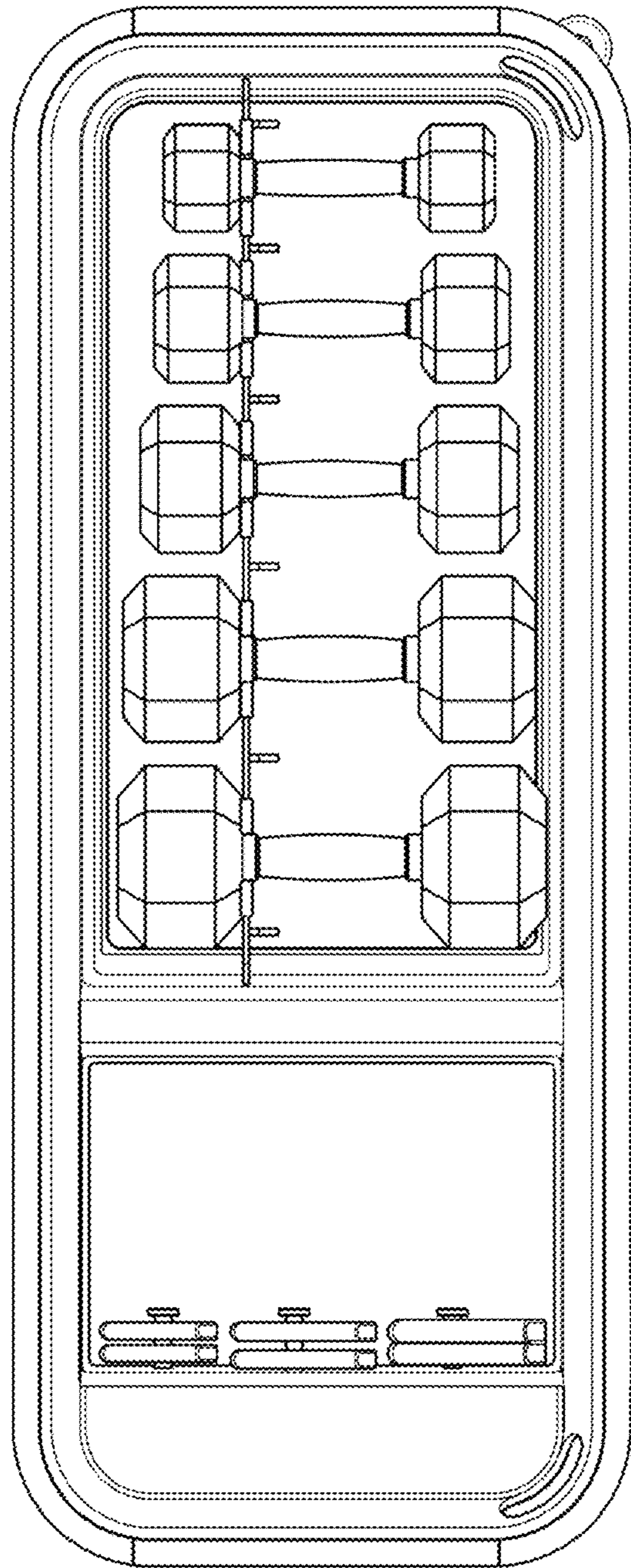


FIG. 2

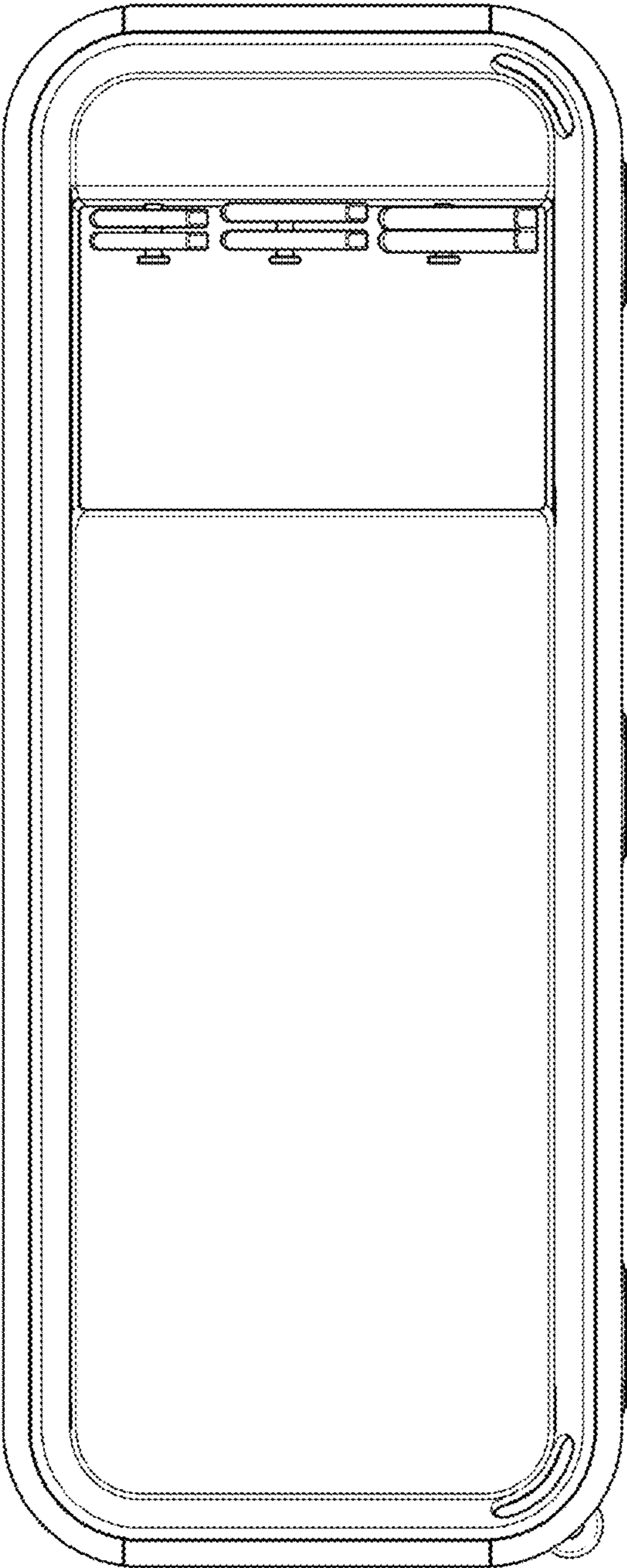


FIG. 3

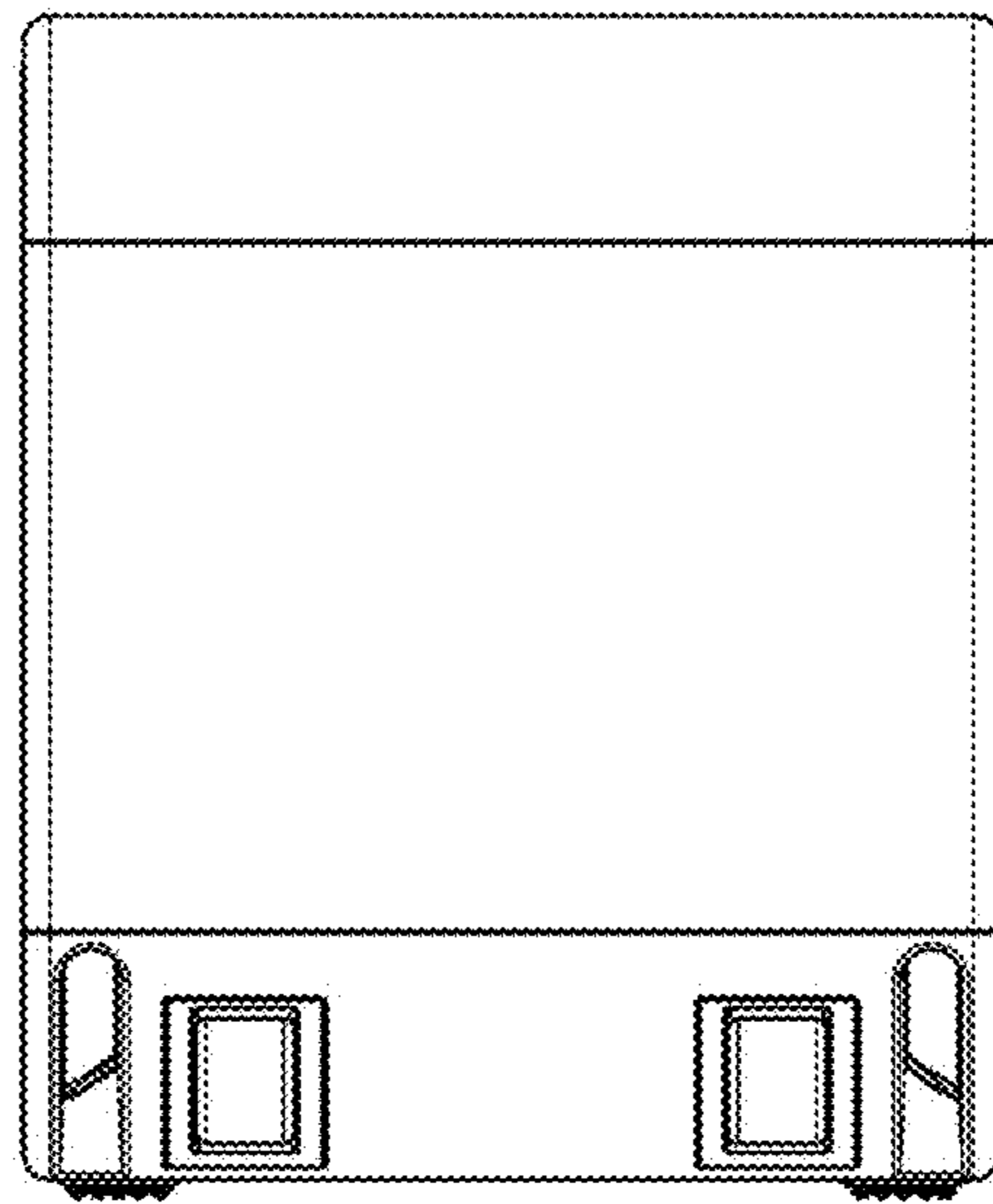


FIG. 4

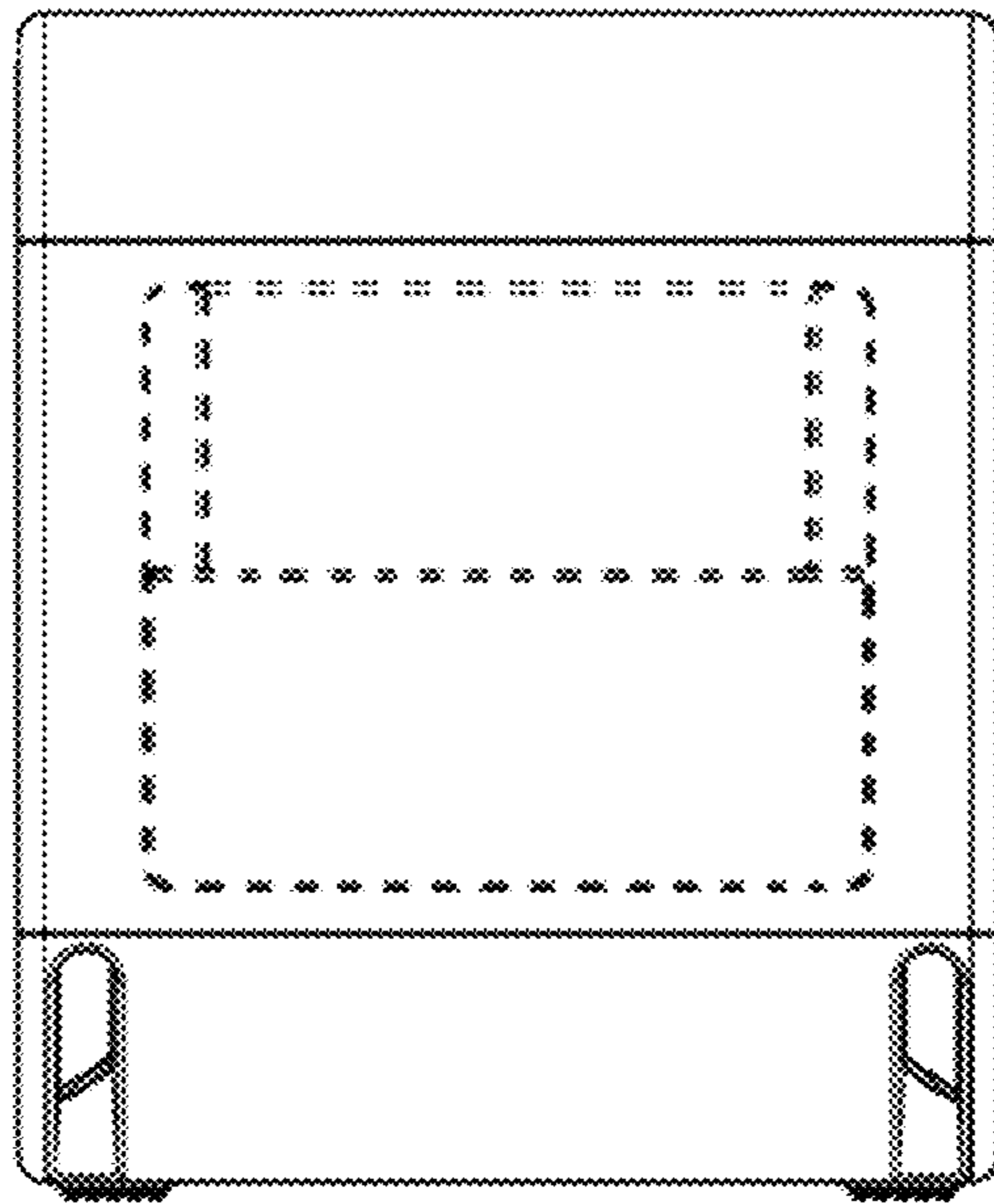


FIG. 5

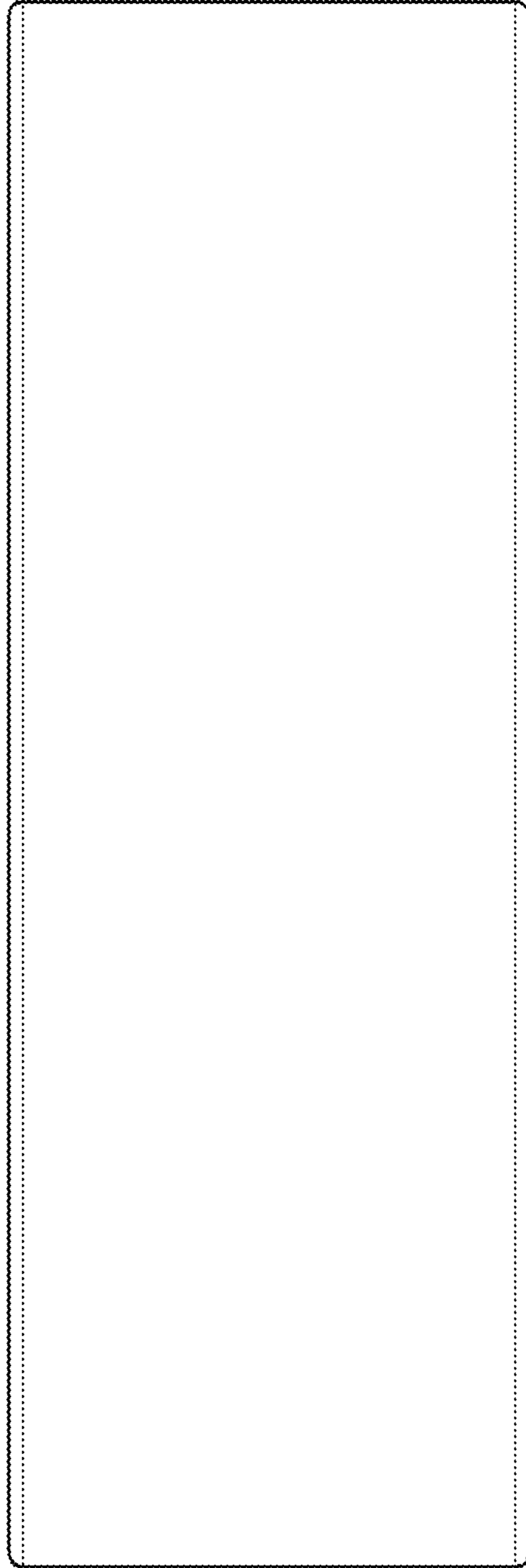


FIG. 6

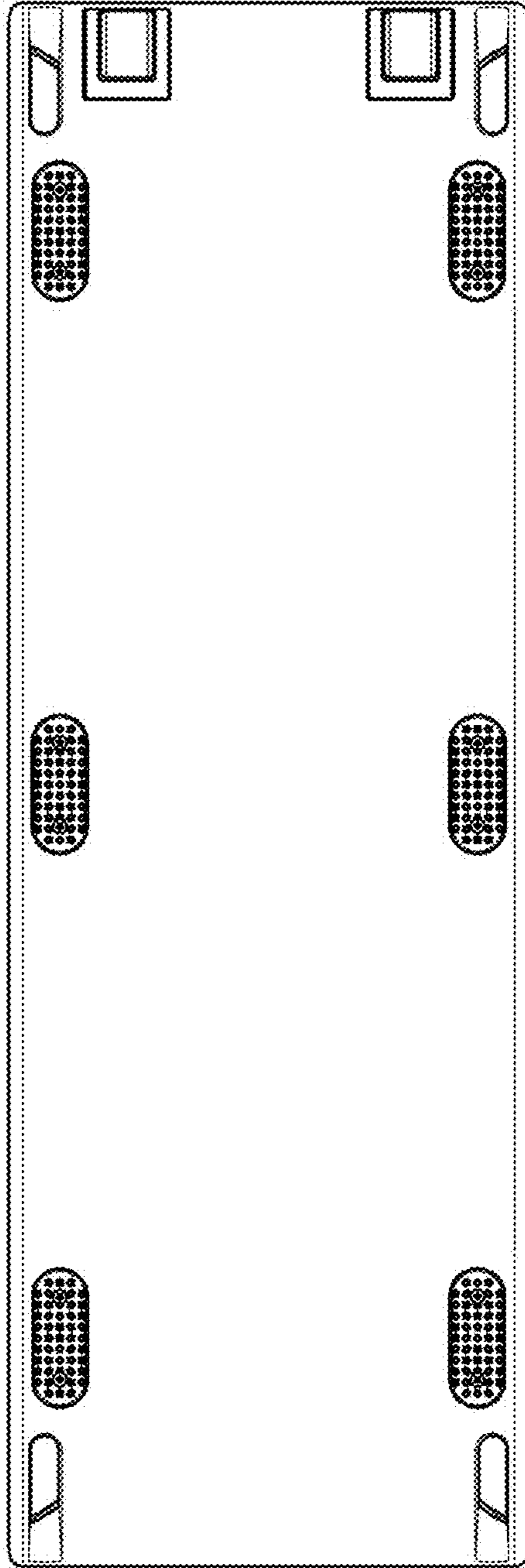


FIG. 7