

US00D933141S

(12) **United States Design Patent**
Hawkins, III et al.

(10) **Patent No.:** **US D933,141 S**
(45) **Date of Patent:** **** Oct. 12, 2021**

(54) **STATIONARY BICYCLE FRAME**
(71) Applicant: **Wahoo Fitness LLC**, Atlanta, GA (US)
(72) Inventors: **Harold M. Hawkins, III**, Atlanta, GA (US); **Michael Carlson**, Atlanta, GA (US)
(73) Assignee: **Wahoo Fitness LLC**, Atlanta, GA (US)

(**) Term: **15 Years**

(21) Appl. No.: **29/704,075**

(22) Filed: **Aug. 30, 2019**

(51) **LOC (13) Cl.** **21-02**

(52) **U.S. Cl.**
USPC **D21/667**

(58) **Field of Classification Search**
USPC D12/111; D21/663, 664, 665, 666, 667, D21/668, 676, 690, 694, 697
CPC . A63B 22/0605; A63B 21/225; A63B 22/001; A63B 22/0664; A63B 21/4047
See application file for complete search history.

(56) **References Cited**

U.S. PATENT DOCUMENTS

5,094,447	A *	3/1992	Wang	A63B 21/0051
					482/63
5,108,091	A *	4/1992	Chang	A63B 21/015
					482/64
D406,288	S *	3/1999	Chen	D21/663
6,039,676	A *	3/2000	Clive	A63B 22/0605
					482/57
6,126,577	A *	10/2000	Chang	A63B 26/003
					434/61
6,905,445	B1 *	6/2005	Lin	A63B 21/012
					188/24.11
D519,171	S *	4/2006	Kuo	D21/663
D526,031	S *	8/2006	Corbalis	D21/663
D532,063	S *	11/2006	Kim	D21/697
D569,926	S *	5/2008	Bingham, Jr.	D21/697

D624,612	S *	9/2010	Watt	D21/667
D625,762	S *	10/2010	Fon	D21/667
7,927,258	B2 *	4/2011	Irving	A63B 21/4034
					482/57
7,963,889	B2 *	6/2011	Badarneh	A63B 26/003
					482/57
D654,125	S *	2/2012	van der Meer	D21/667
D656,566	S *	3/2012	Decommer	D21/667

(Continued)

OTHER PUBLICATIONS

TFM Staff. "Peloton Bike Review." Top Fitness Magazine., Dec. 19, 2021 [online], [retrieved on Jun. 4, 2021]. Retrieved from the Internet <URL: <https://www.topfitnessmag.com/indoor-bike-reviews/peloton-bike-review/>>.*

(Continued)

Primary Examiner — Darlington Ly
(74) *Attorney, Agent, or Firm* — Polsinelli PC; Gregory P. Durbin

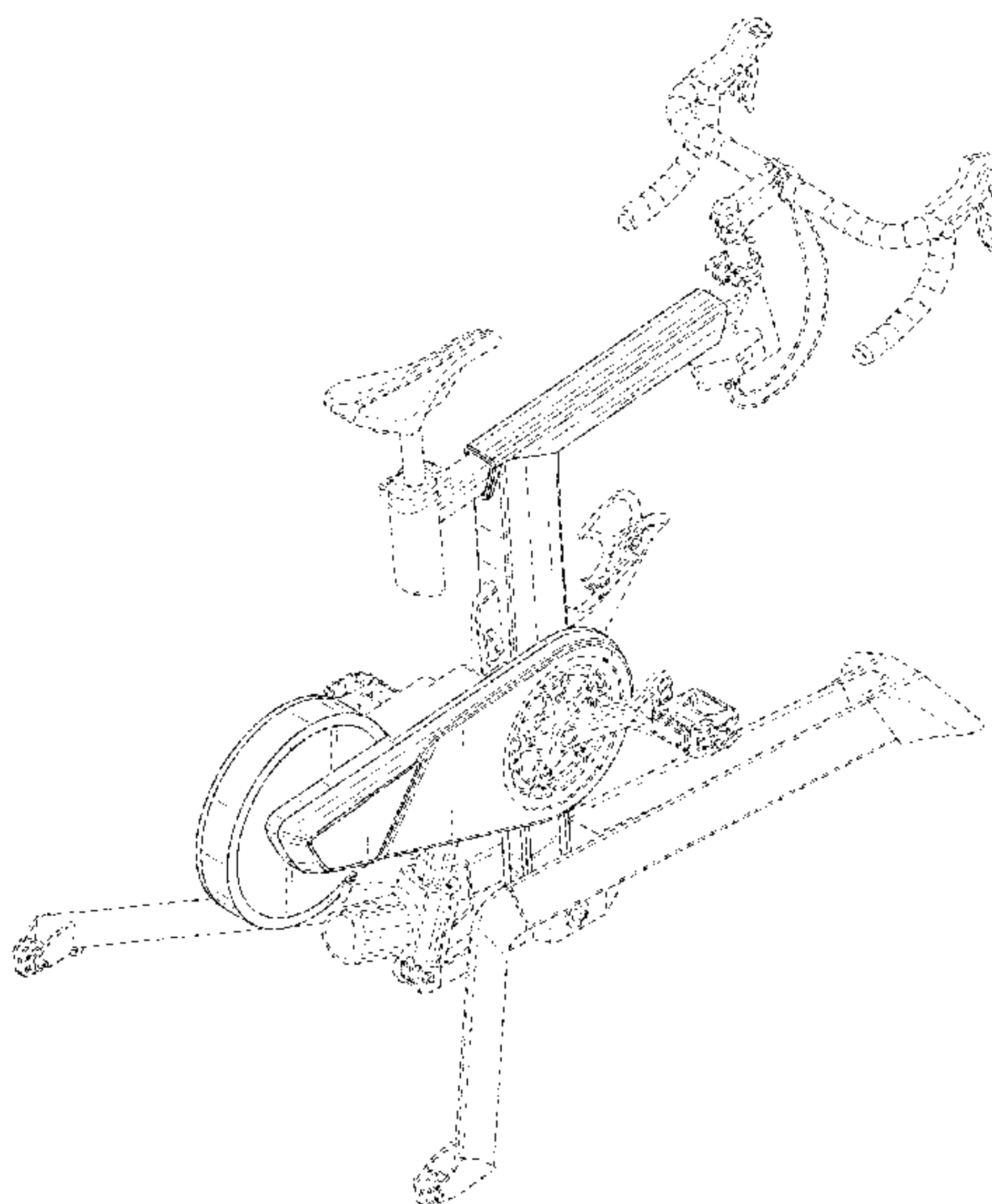
(57) **CLAIM**

The ornamental design for a stationary bicycle frame, as shown and described.

DESCRIPTION

FIG. 1 is a top, rear, and right side perspective view of a stationary bicycle frame;
FIG. 2 is a right side elevation view thereof;
FIG. 3 is a left side elevation view thereof;
FIG. 4 is a rear elevation view thereof;
FIG. 5 is a front elevation view thereof;
FIG. 6 is a top plan view thereof; and,
FIG. 7 is a bottom plan view thereof.
The broken lines shown in the drawings illustrate portions of the stationary bicycle frame and environmental structure of a stationary bicycle and that form no part of the claimed design. The shade lines in the drawings show contour and not surface ornamentation.

1 Claim, 7 Drawing Sheets



(56)

References Cited

U.S. PATENT DOCUMENTS

D675,687 S * 2/2013 Fischer D21/663
 D676,508 S * 2/2013 Wu D21/667
 D682,954 S * 5/2013 Cornejo D21/667
 D684,223 S * 6/2013 Cornejo D21/667
 8,585,561 B2 * 11/2013 Watt A63B 22/0605
 482/57
 9,358,418 B2 * 6/2016 Golesh A63B 21/225
 D794,724 S * 8/2017 Tasca D21/663
 9,844,715 B2 * 12/2017 Kautz A61B 90/30
 10,004,940 B2 * 6/2018 Badarneh A63B 22/0025
 10,052,516 B1 * 8/2018 Lin A63B 23/1209
 D836,733 S * 12/2018 Curbbun D21/667
 D860,339 S * 9/2019 Sun D21/667
 D863,465 S * 10/2019 Lentine D21/663
 D873,933 S * 1/2020 Bennett D21/667
 D874,584 S * 2/2020 Alessandri D21/663

10,702,739 B1 * 7/2020 McCormack A63B 21/4035
 D909,497 S * 2/2021 Goldberg D21/667
 2008/0033311 A1 * 2/2008 Sledge A61B 5/222
 600/509
 2016/0346595 A1 * 12/2016 Dalebout A63B 24/0062
 2017/0043207 A1 * 2/2017 Zeng A63B 22/0017

OTHER PUBLICATIONS

“Wahoo KICKR Bike / Wahoo Fitness.” If World Design Guide., Dec. 9, 2019 [online], [retrieved on Jun. 4, 2021]. Retrieved from the Internet <URL: <https://ifworlddesignguide.com/entry/286879-wahoo-kickr-bike>>.*
 Riley Missel. “Wahoo’s New KICKR Bike Changes Everything About Riding Inside.” Bicycling., Sep. 6, 2019 [online], [retrieved on Jun. 4, 2021]. Retrieved from the Internet <URL: <https://www.bicycling.com/bikes-gear/a28909184/wahoo-kickr-bike-review/>>.*

* cited by examiner

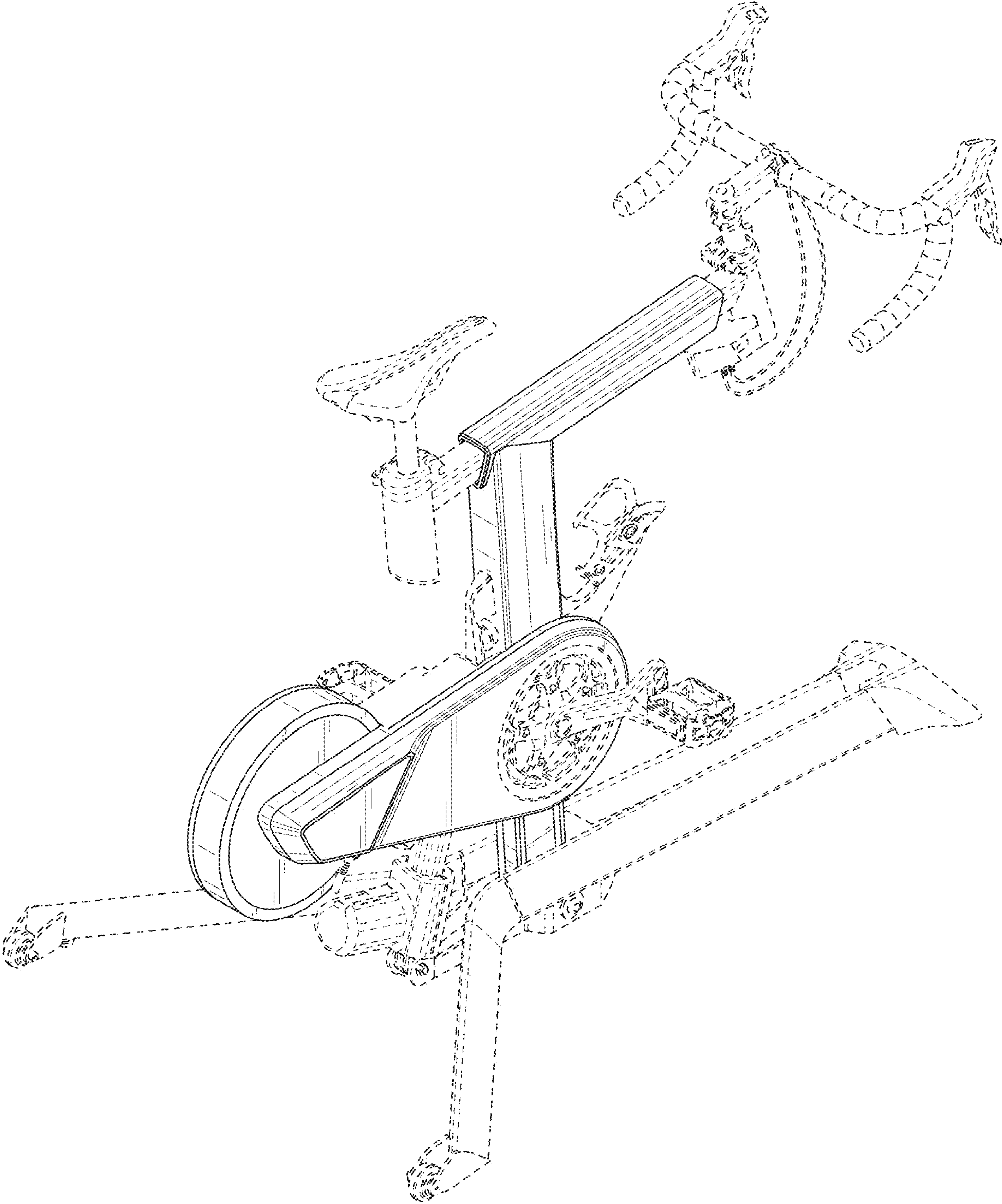


FIG. 1

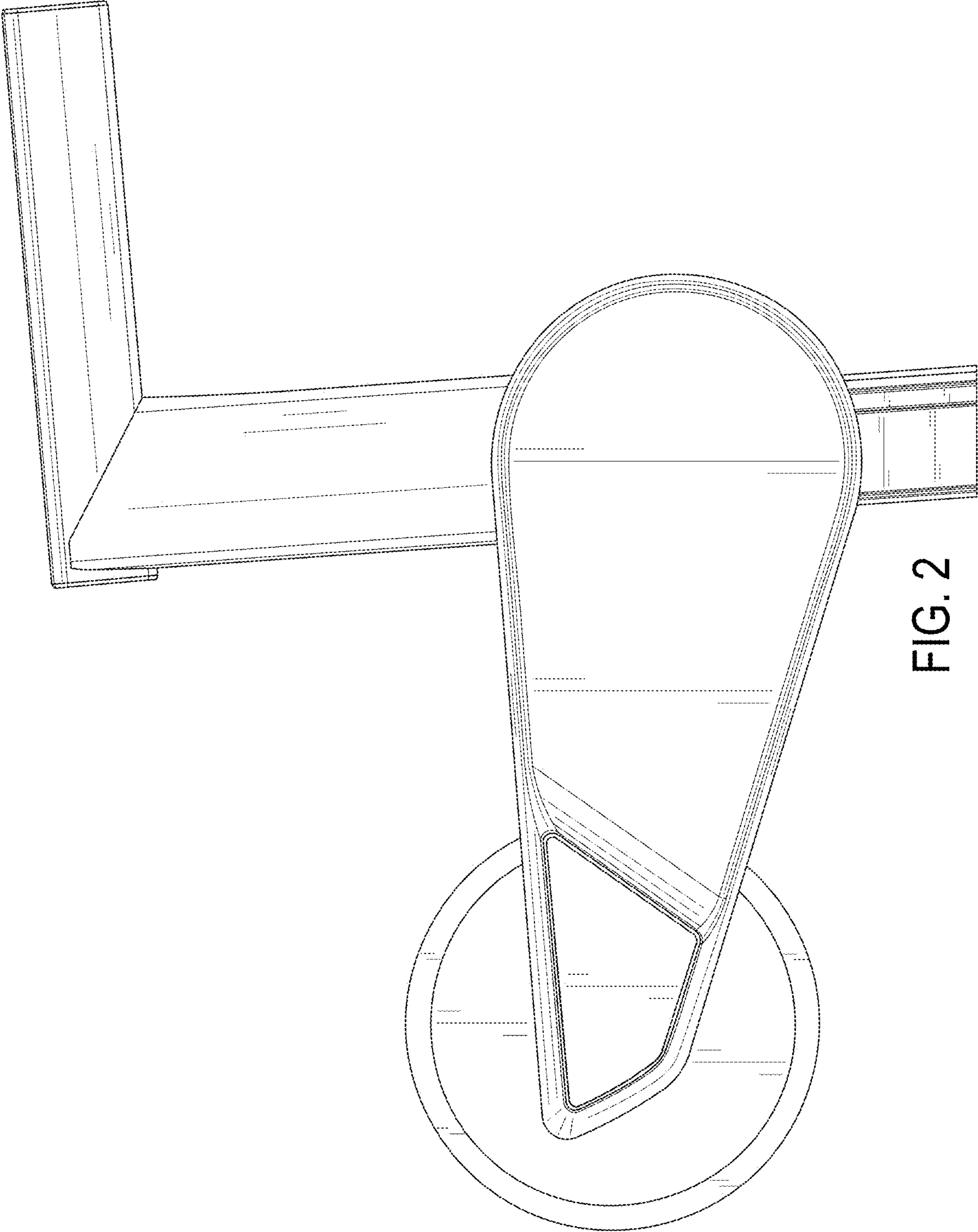


FIG. 2

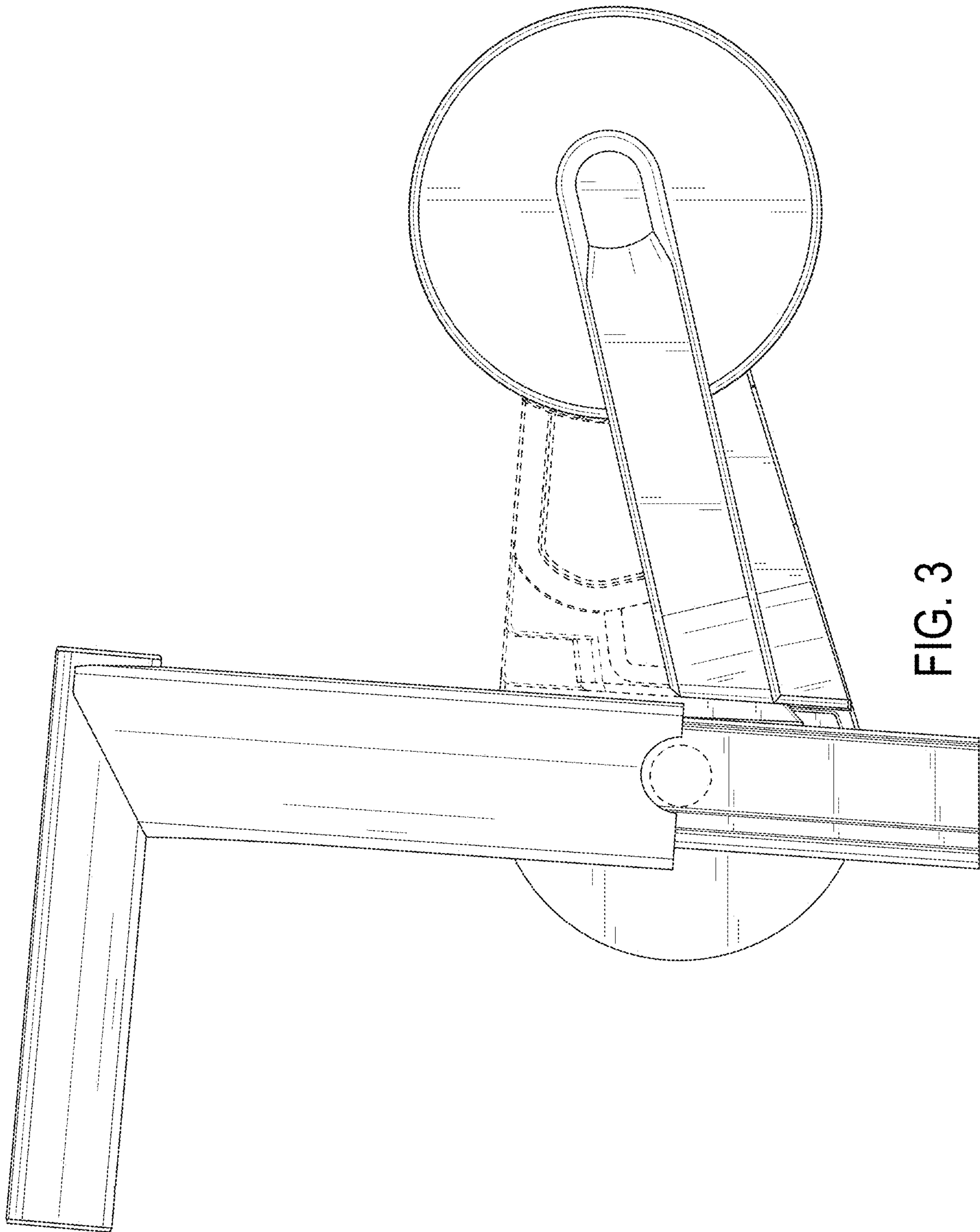


FIG. 3

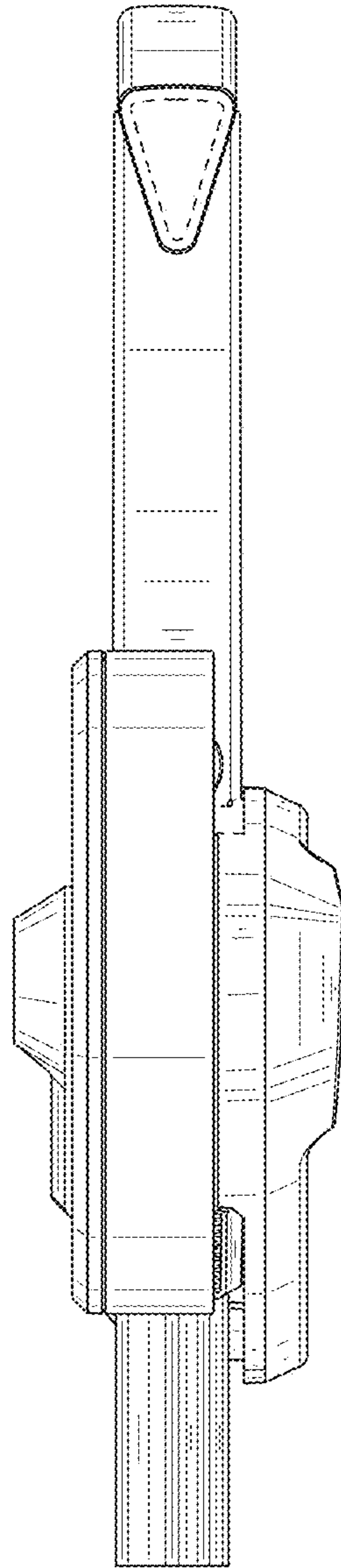


FIG. 4

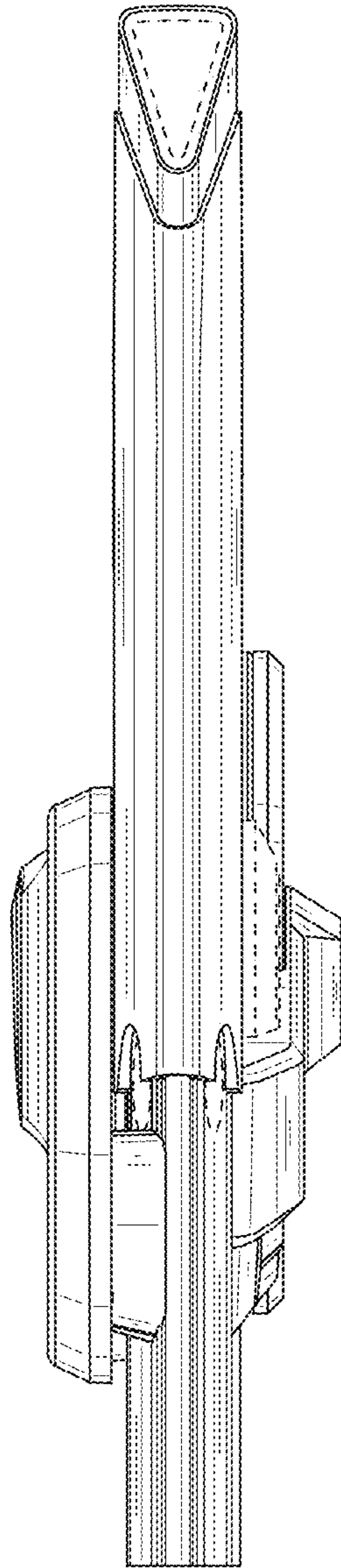


FIG. 5

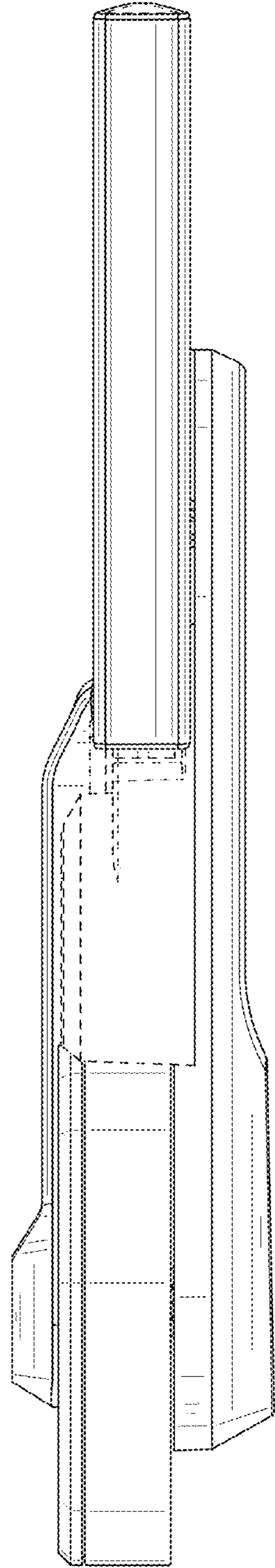


FIG. 6

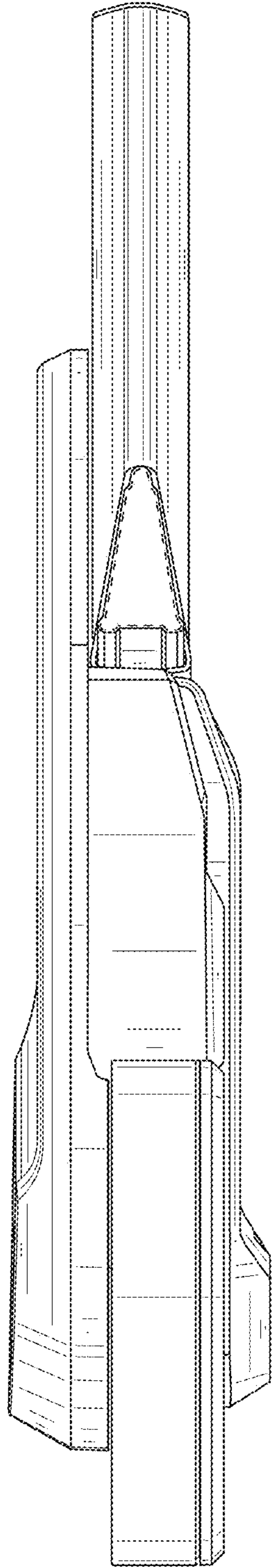


FIG. 7