



US00D933140S

(12) **United States Design Patent**  
**Zhu**

(10) **Patent No.:** **US D933,140 S**  
(45) **Date of Patent:** **\*\* Oct. 12, 2021**

- (54) **MUSCLE EXERCISER**
- (71) Applicant: **Yuanwen Zhu**, Guangdong (CN)
- (72) Inventor: **Yuanwen Zhu**, Guangdong (CN)
- (73) Assignee: **Bin Xu**, Shenzhen (CN)
- (\*\*) Term: **15 Years**
- (21) Appl. No.: **29/738,119**
- (22) Filed: **Jun. 15, 2020**
- (51) **LOC (13) Cl.** ..... **21-02**
- (52) **U.S. Cl.**  
USPC ..... **D21/662**
- (58) **Field of Classification Search**  
USPC ..... D21/662, 673, 682, 677, 665, 686, 692,  
D21/694, 671, 685, 684, 698, 771, 753,  
D21/756, 807  
See application file for complete search history.

- D794,728 S \* 8/2017 Thomson ..... D21/694
- 9,925,443 B2 \* 3/2018 Roberson ..... A63B 65/06
- 10,188,899 B1 \* 1/2019 Acuna, Jr. .... A63B 23/0405
- D860,341 S \* 9/2019 Mantione, III ..... D21/694
- 10,456,615 B1 \* 10/2019 Anthony ..... A63B 21/00069
- 10,603,537 B2 \* 3/2020 Collier ..... A63B 21/072
- 2004/0082442 A1 \* 4/2004 Beedy ..... A63B 21/0004  
482/93
- 2004/0162199 A1 \* 8/2004 Connelly ..... A63B 21/072  
482/107
- 2014/0148316 A1 \* 5/2014 Tsuchio ..... A63B 23/03575  
482/112
- 2017/0361166 A1 \* 12/2017 Hong ..... A63B 21/154

\* cited by examiner

*Primary Examiner* — Khawaja Anwar  
*Assistant Examiner* — Julice Seung Eun Oum

(57) **CLAIM**

The ornamental design for a muscle exerciser, as shown and described.

**DESCRIPTION**

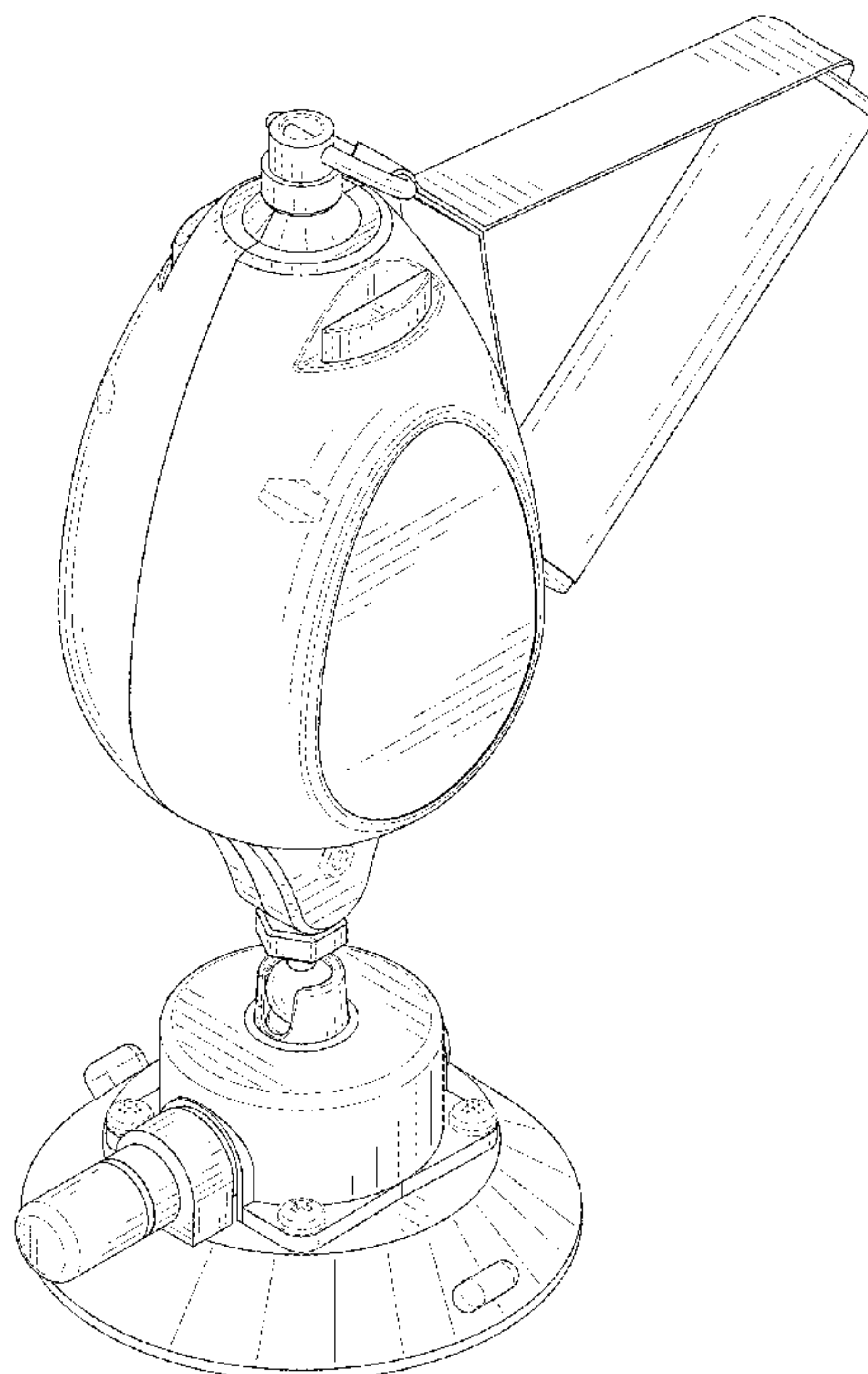
FIG. 1 is a front, right and top perspective view of a muscle exerciser, showing my design.  
 FIG. 2 is a rear, left and bottom perspective view thereof.  
 FIG. 3 is a front elevation view thereof.  
 FIG. 4 is a rear elevation view thereof.  
 FIG. 5 is a left side elevation view thereof.  
 FIG. 6 is a right side elevation view thereof.  
 FIG. 7 is a top plan view thereof; and,  
 FIG. 8 is a bottom plan view thereof.  
 The broken lines are for environmental structure, boundaries, or illustrative purposes only and form no part of the claimed designs to be patented.

**1 Claim, 8 Drawing Sheets**

(56) **References Cited**

U.S. PATENT DOCUMENTS

- D212,104 S \* 8/1968 McDonald ..... D21/662
- 6,689,022 B1 \* 2/2004 Emick ..... A63B 21/06  
482/93
- 7,476,183 B1 \* 1/2009 Chrest ..... A63B 21/072  
482/908
- D653,715 S \* 2/2012 Tumminia ..... A63B 21/075  
D21/679
- 8,267,841 B1 \* 9/2012 Allison ..... A63B 21/06  
482/108
- 8,858,406 B2 \* 10/2014 Klukas ..... A63B 15/00  
482/108
- 9,675,832 B2 \* 6/2017 Chen ..... A63B 21/00065



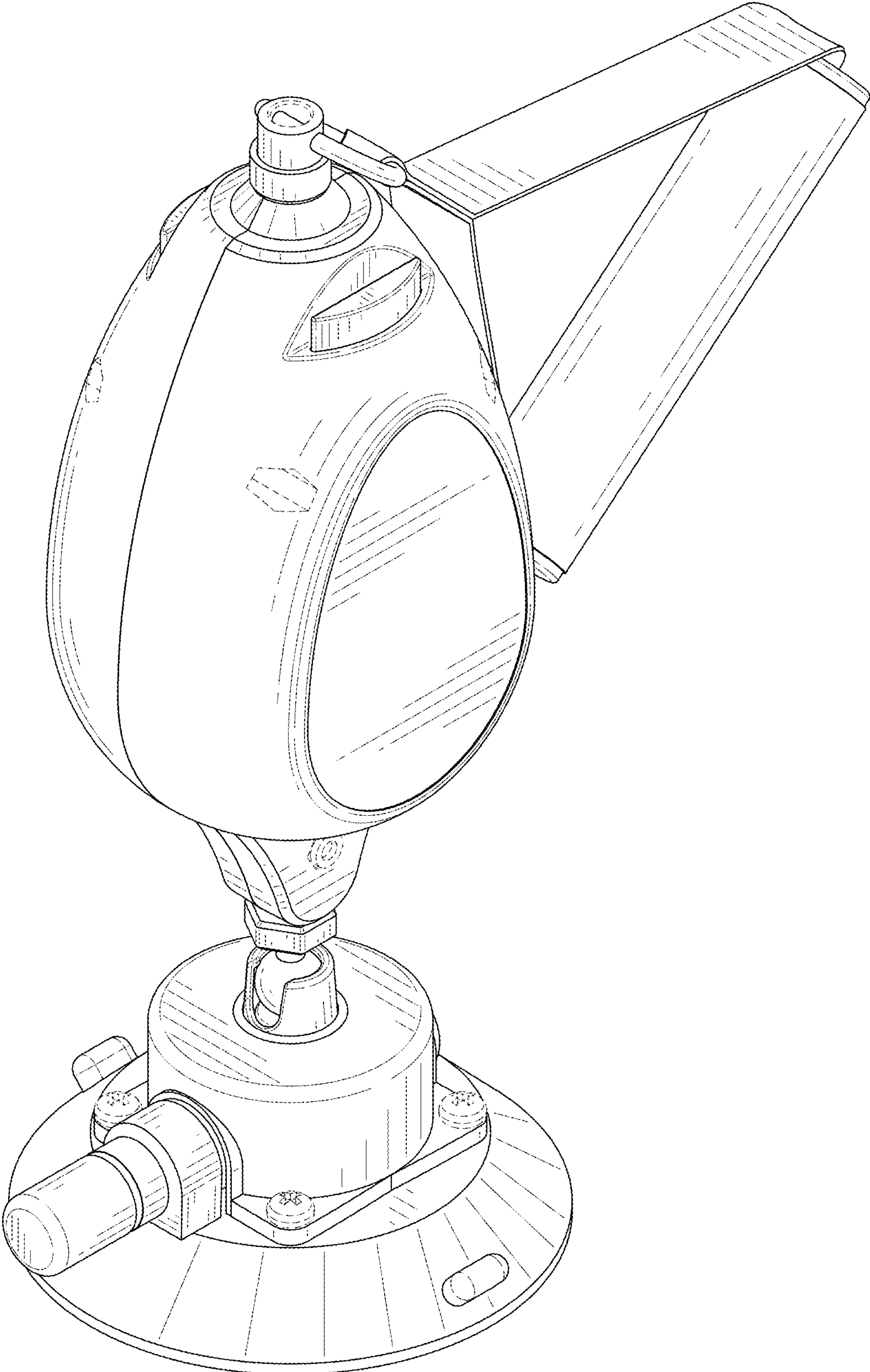


FIG. 1

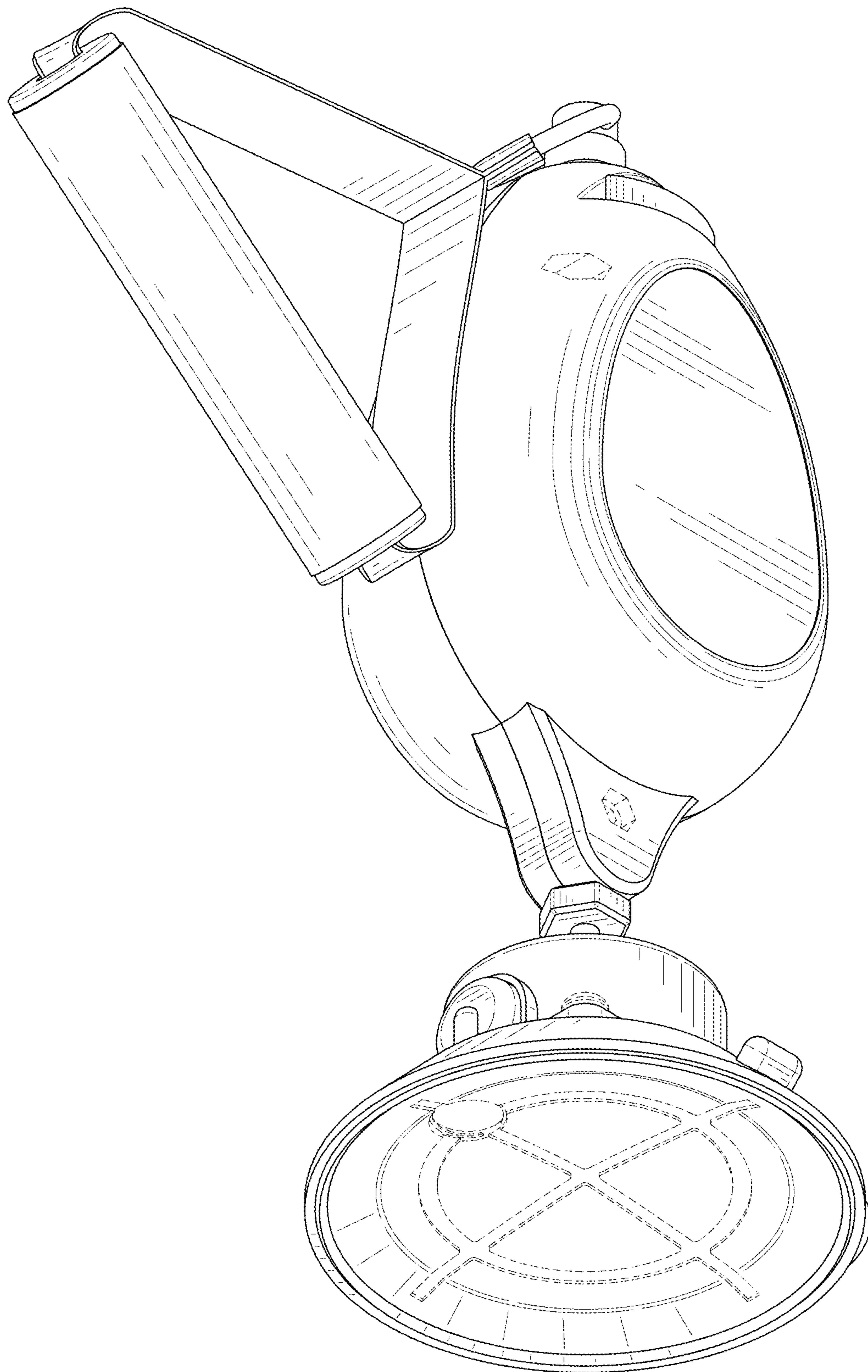


FIG. 2



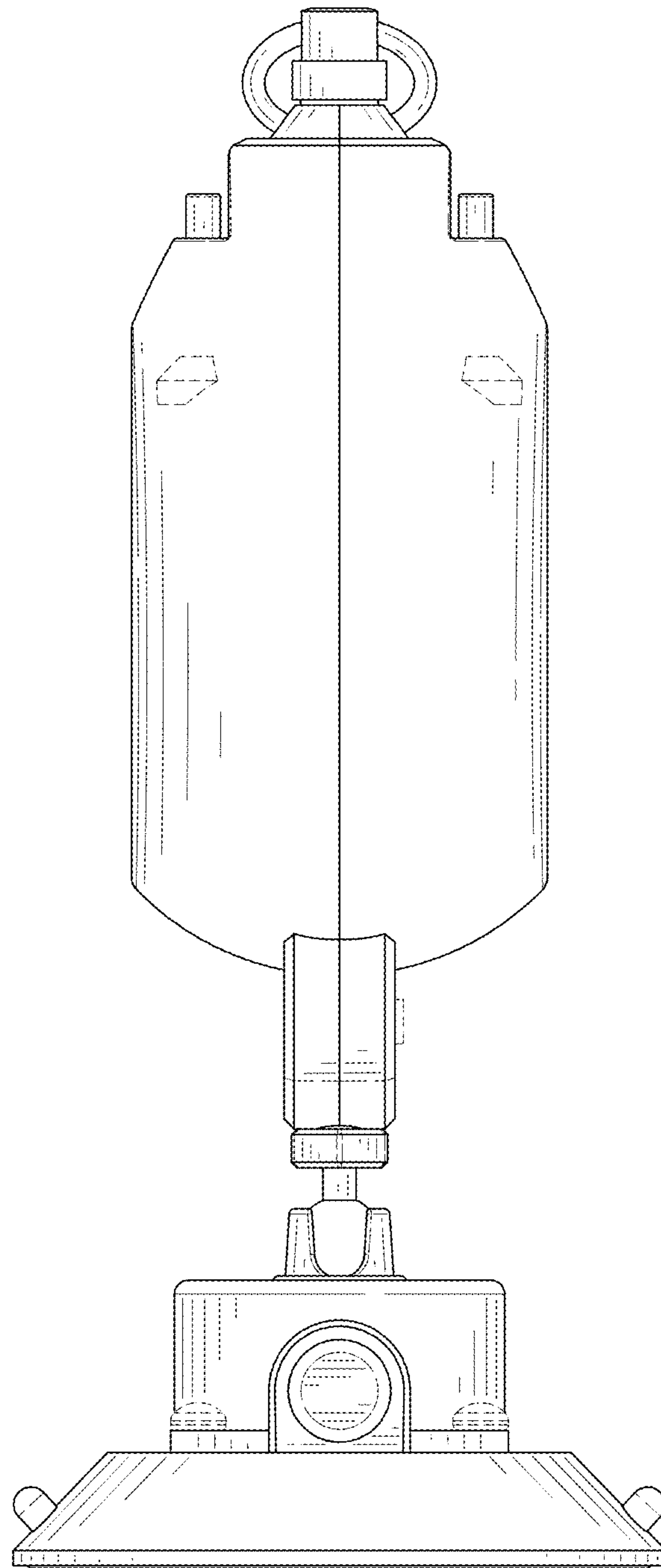


FIG. 3

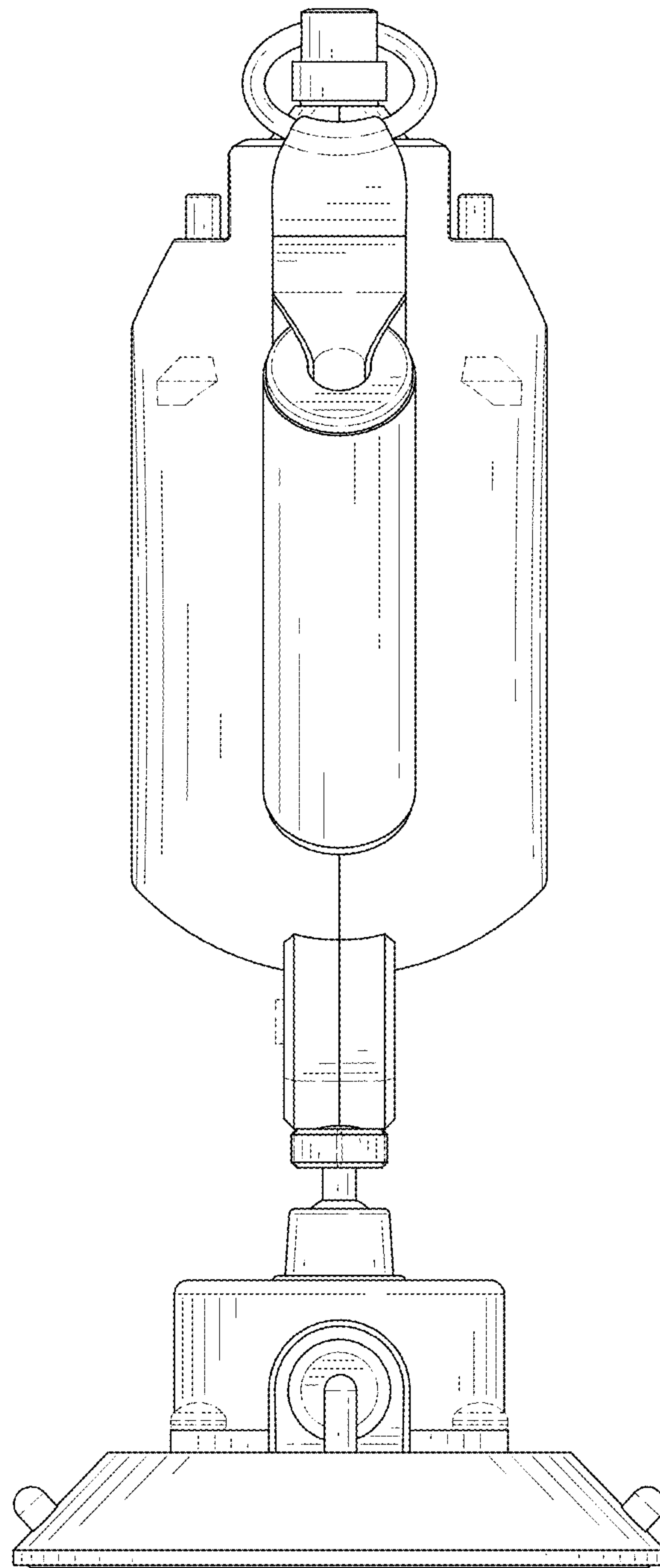


FIG. 4

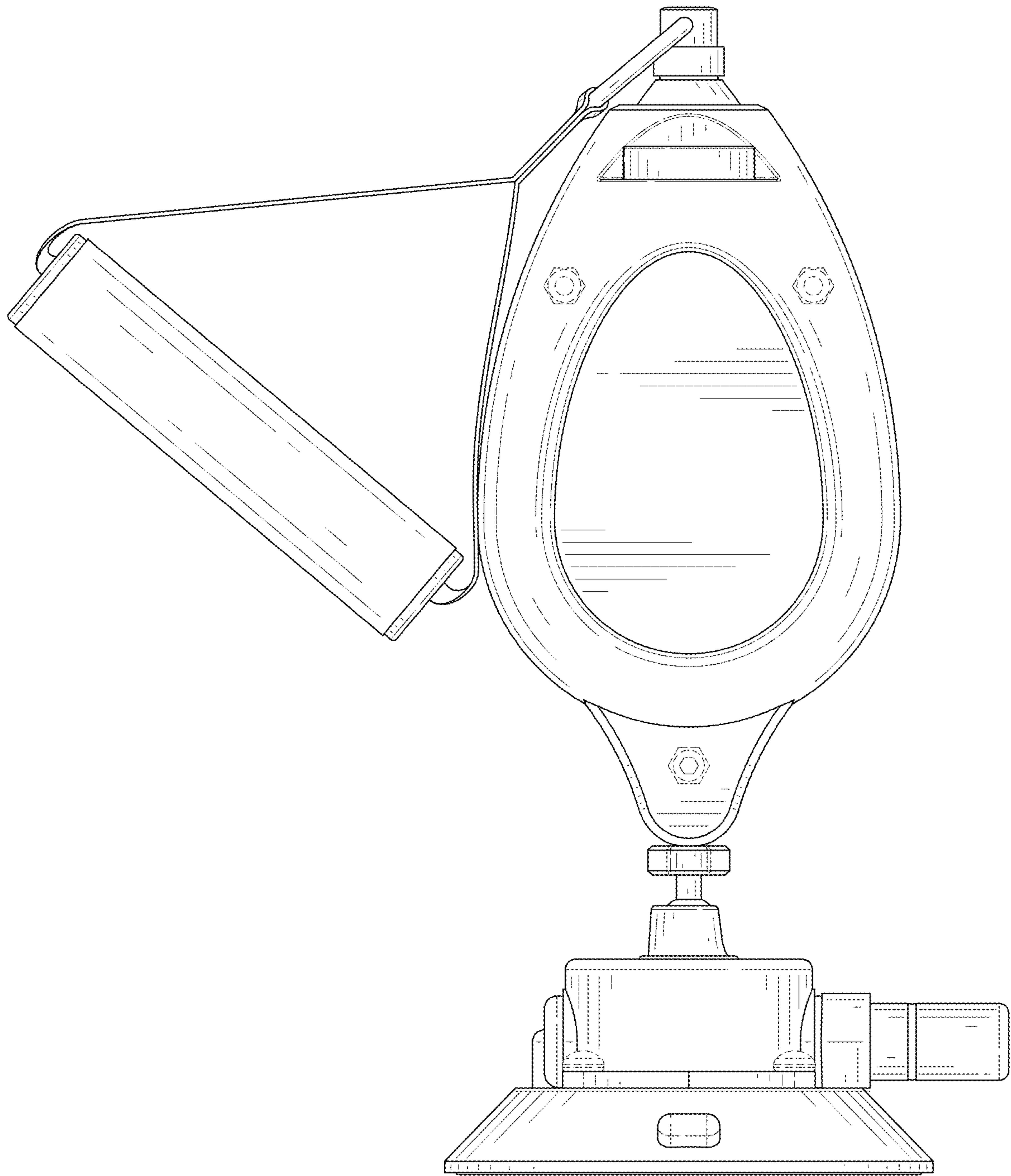


FIG. 5

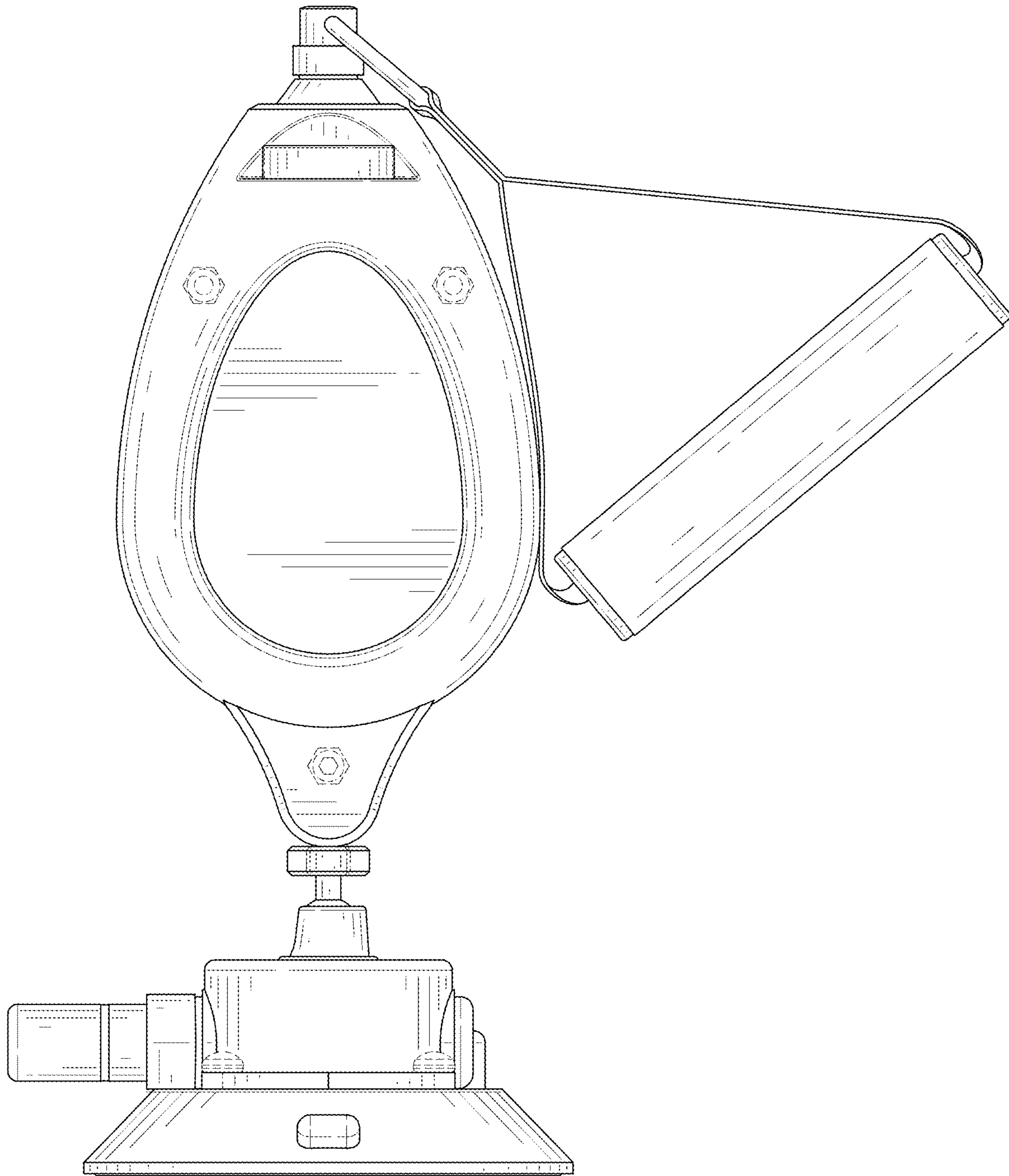


FIG. 6

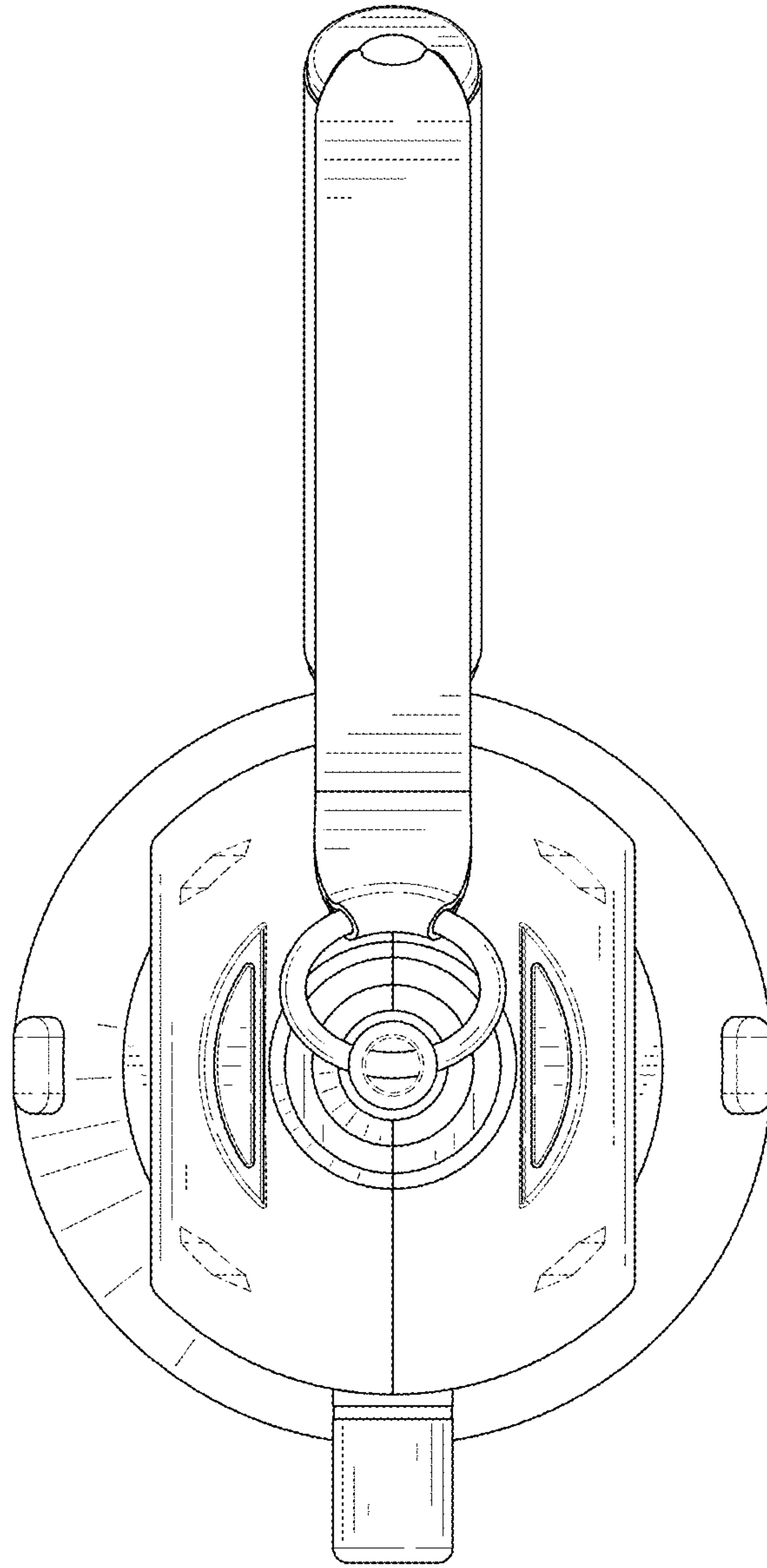


FIG. 7



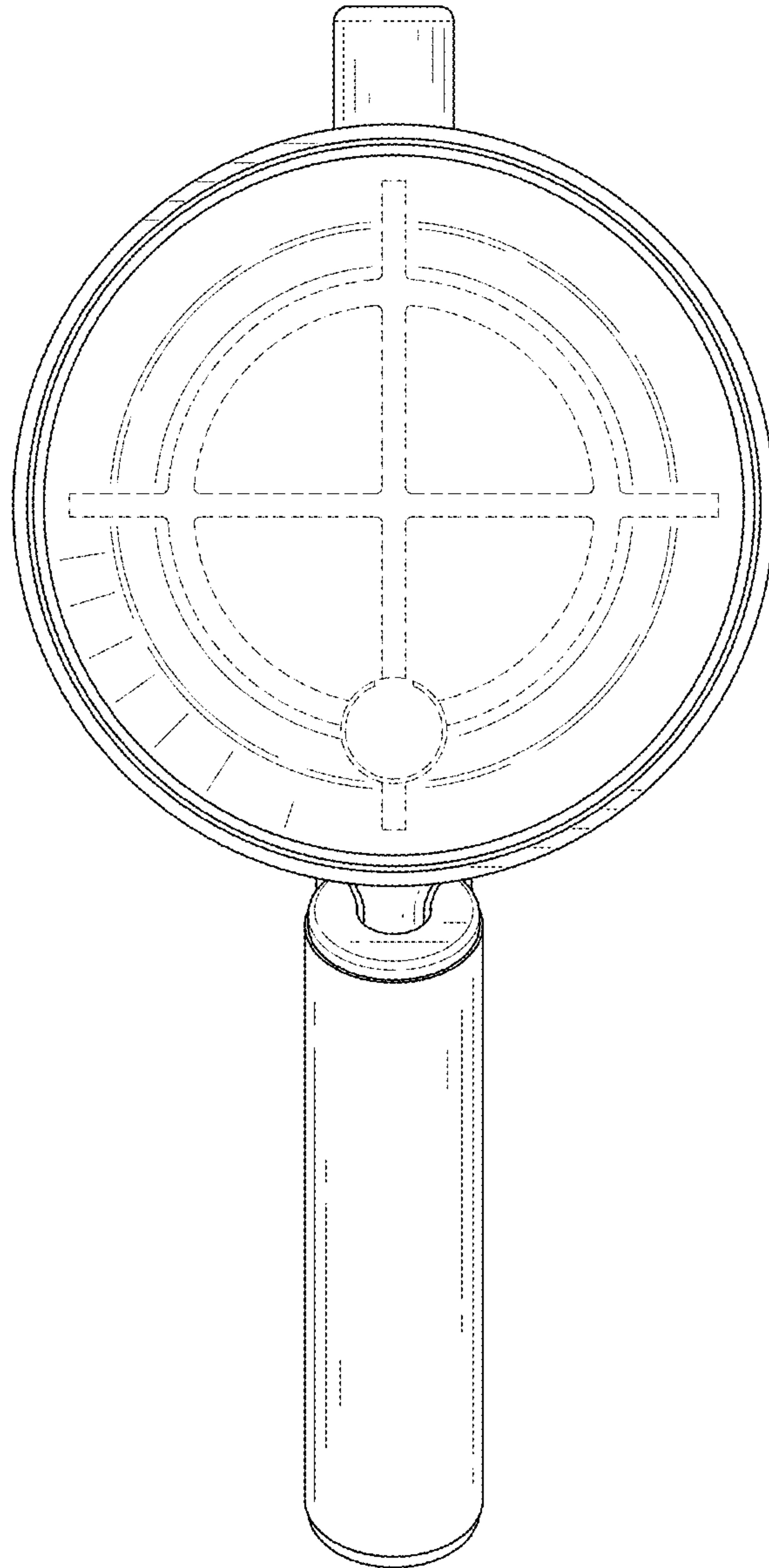


FIG. 8