



US00D933132S

(12) **United States Design Patent** (10) **Patent No.:** **US D933,132 S**
Engler et al. (45) **Date of Patent:** **** Oct. 12, 2021**

(54) **TOSS GAME**
(71) Applicant: **P&P IMPORTS LLC**, Santa Ana, CA (US)
(72) Inventors: **Peter H Engler**, Newport Beach, CA (US); **Peter Tanoury**, Newport Beach, CA (US)
(**) Term: **15 Years**

(21) Appl. No.: **29/705,535**
(22) Filed: **Sep. 12, 2019**
(51) **LOC (13) Cl.** **21-01**
(52) **U.S. Cl.**
USPC **D21/305**
(58) **Field of Classification Search**
USPC D21/300–303, 319, 355, 342, 386, 699, D21/705, 771, 780, 789, 790, 791, D21/804.805; 473/164, 172, 197, 436
CPC A63B 65/00; A63B 1/00; A63B 67/00; A63B 63/00; A63B 63/04; A63B 63/045; A63F 1/067; A47B 25/00
See application file for complete search history.

(56) **References Cited**
U.S. PATENT DOCUMENTS
2,944,816 A * 7/1960 Dixon A63B 69/0097 473/435
4,492,380 A * 1/1985 Saytar A63B 63/00 273/400
5,125,650 A * 6/1992 Paris A63B 21/00047 482/140
D352,326 S * 11/1994 Hsiao D21/790
6,155,936 A * 12/2000 Dorr A63B 63/00 124/6
D449,084 S * 10/2001 Walters D21/705
D462,733 S * 9/2002 Smith, IV D21/780
D706,354 S * 6/2014 Montenare D21/303

D805,591 S * 12/2017 Miller D21/705
D868,916 S * 12/2019 Engler D21/790
D868,917 S * 12/2019 Engler D21/790
D872,181 S * 1/2020 Engler D21/302
D872,182 S * 1/2020 Engler D21/302
D877,256 S * 3/2020 Engler D21/303
D880,596 S * 4/2020 Engler D21/305
2003/0236139 A1 * 12/2003 Jensen A63B 69/36 473/434
2004/0178585 A1 * 9/2004 Cosenza A63B 69/0002 273/454

(Continued)

Primary Examiner — Sandra Snapp
Assistant Examiner — Mehri Bajoul
(74) *Attorney, Agent, or Firm* — Casey H. Kempner; Siamak S. Hefazi

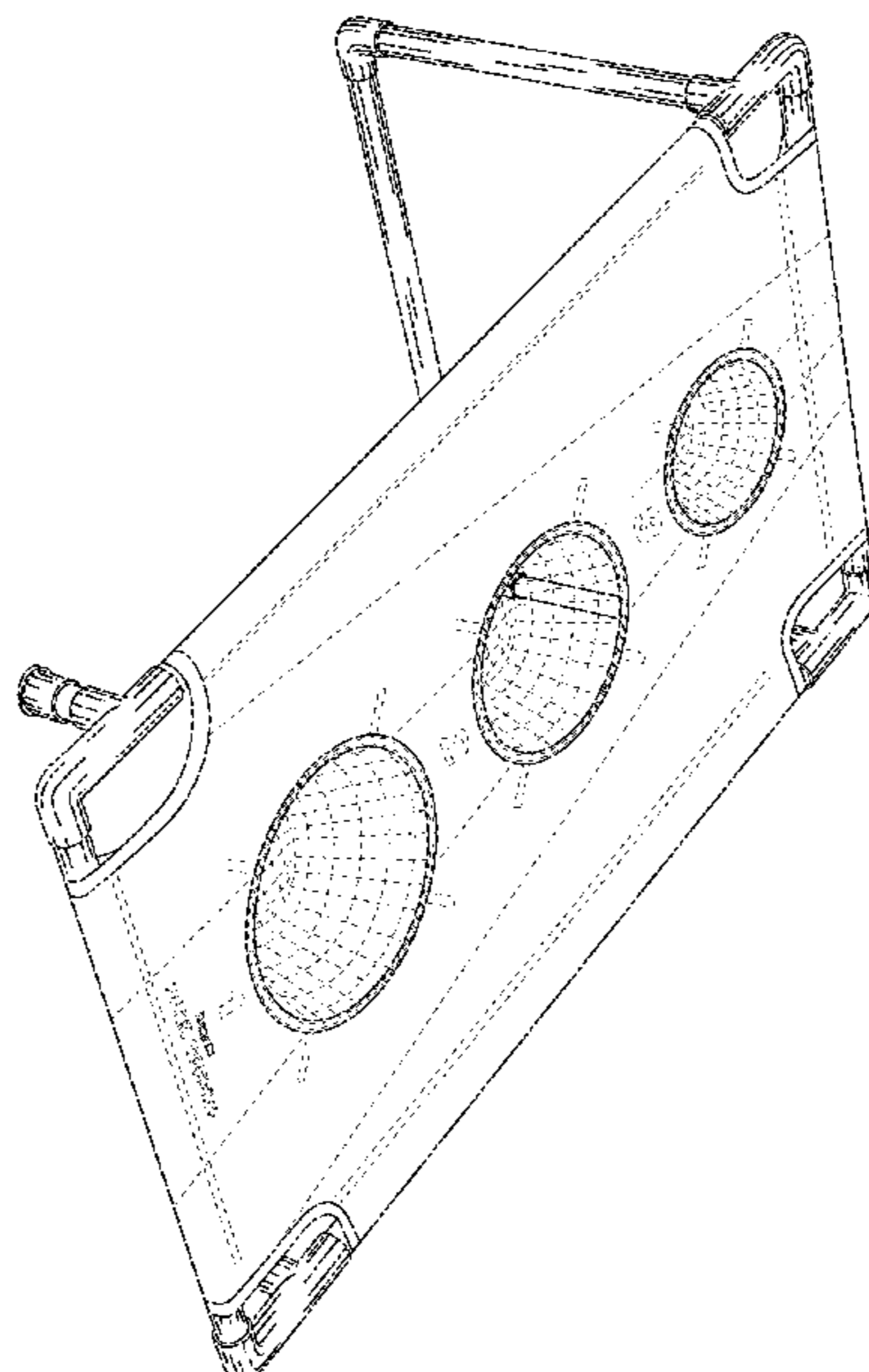
(57) **CLAIM**

The ornamental design for a toss game, as shown and described.

DESCRIPTION

FIG. 1 is a perspective view of a toss game showing the claimed design.
FIG. 2 is a top view of the toss game shown in FIG. 1.
FIG. 3 is a bottom view of the toss game shown in FIG. 1.
FIG. 4 is a right-side view of the toss game shown in FIG. 1.
FIG. 5 is a left-side view of the toss game shown in FIG. 1.
FIG. 6 is a back view of the toss game shown in FIG. 1; and, FIG. 7 is a front view of the toss game shown in FIG. 1.
The broken lines in the figures show portions of the toss game that form no part of the claimed design.
Trademarked material in the figures reciting “GoSports”, Trademark Registration Nos. 4,802,471 and 5,865,310, and “Tri Toss”, Trademark Registration No. 6,002,600, are both owned by P&P Imports LLC. These trademarks do not form part of the claimed design.

1 Claim, 7 Drawing Sheets



(56)

References Cited

U.S. PATENT DOCUMENTS

2009/0309307 A1* 12/2009 Leal F42B 6/08
273/348.4
2010/0081513 A1* 4/2010 La Pointe A63B 63/00
473/197
2011/0224026 A1* 9/2011 Canedy, Jr. A63B 63/004
473/434
2015/0054221 A1* 2/2015 Sandman F41J 1/01
273/402
2016/0023095 A1* 1/2016 Nally A63F 7/3055
273/343
2018/0056155 A1* 3/2018 McAuley A63B 69/3623

* cited by examiner

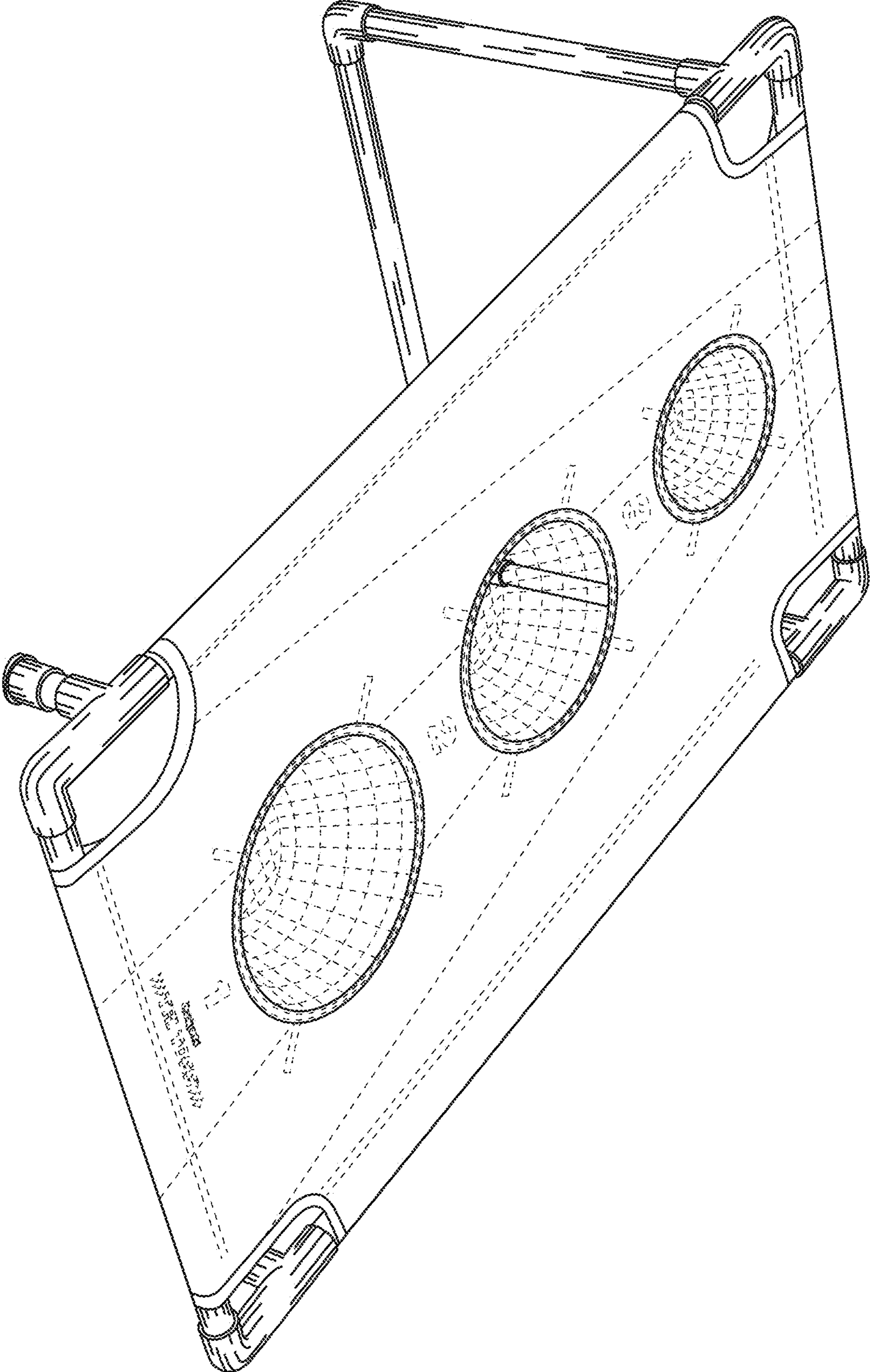


FIG. 1

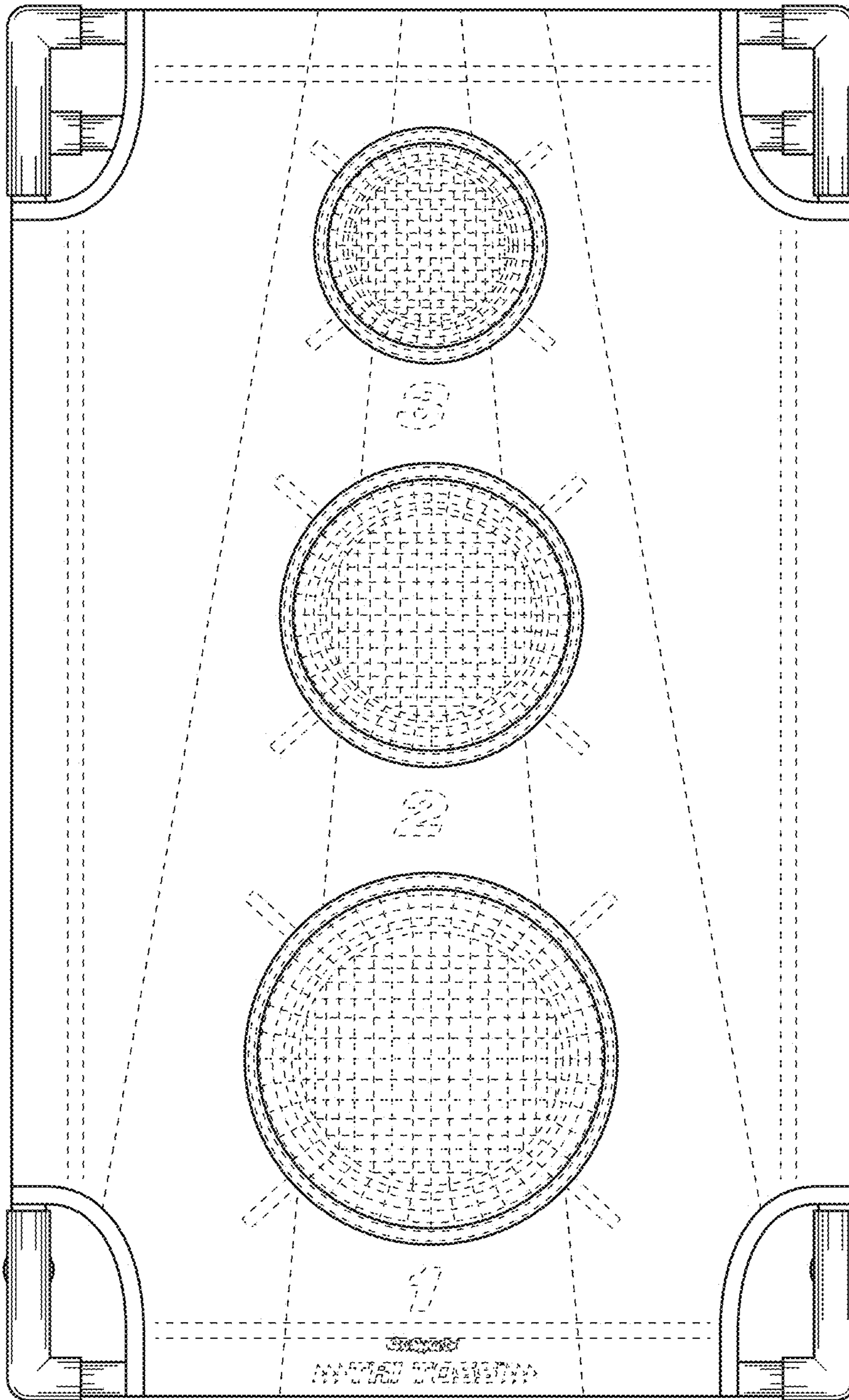


FIG. 2

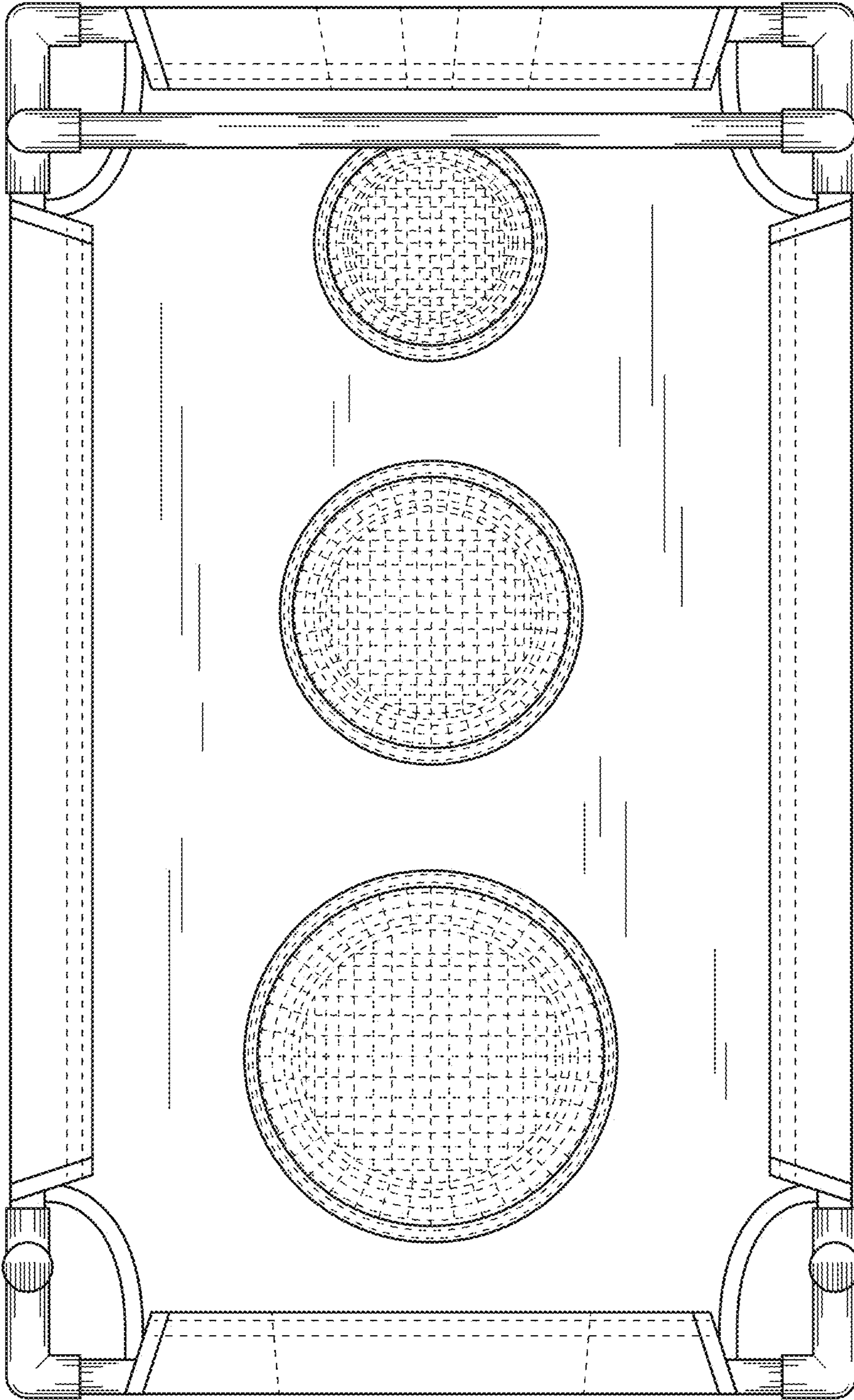


FIG. 3

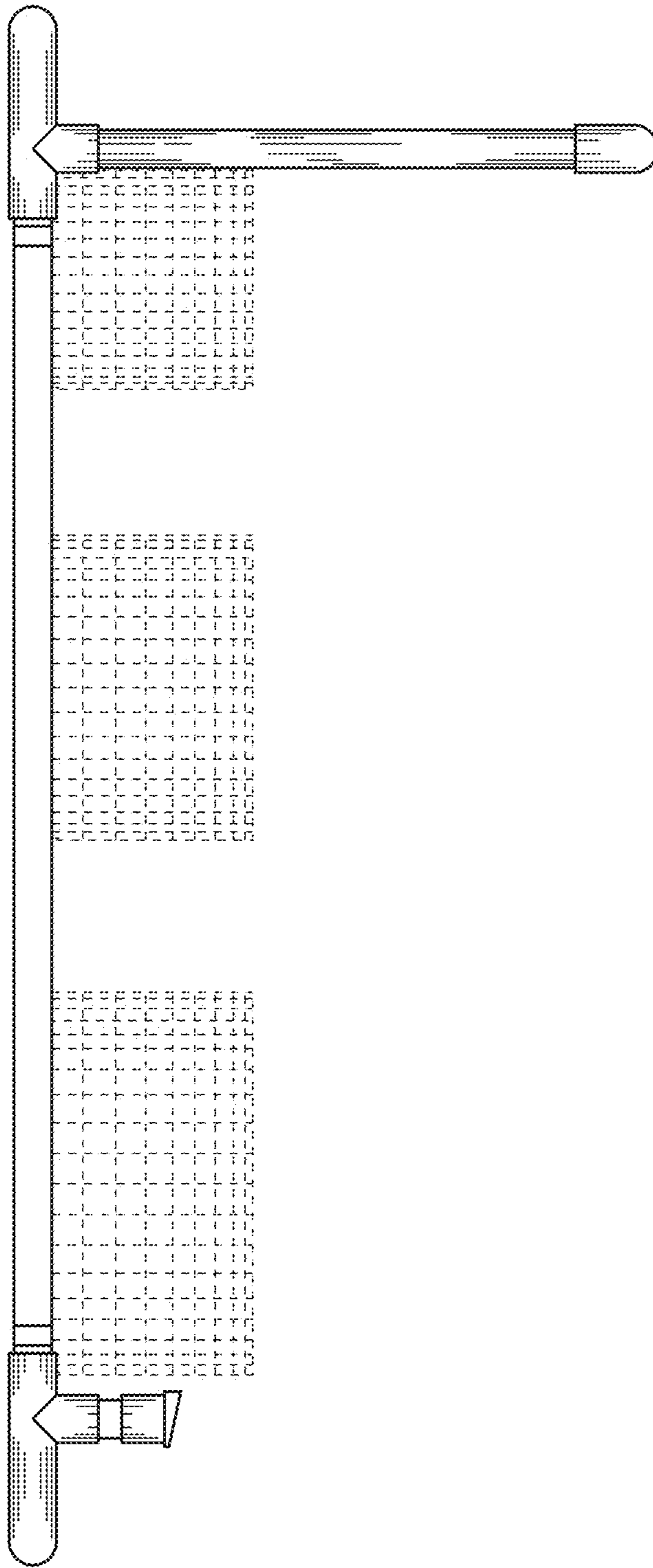


FIG. 4

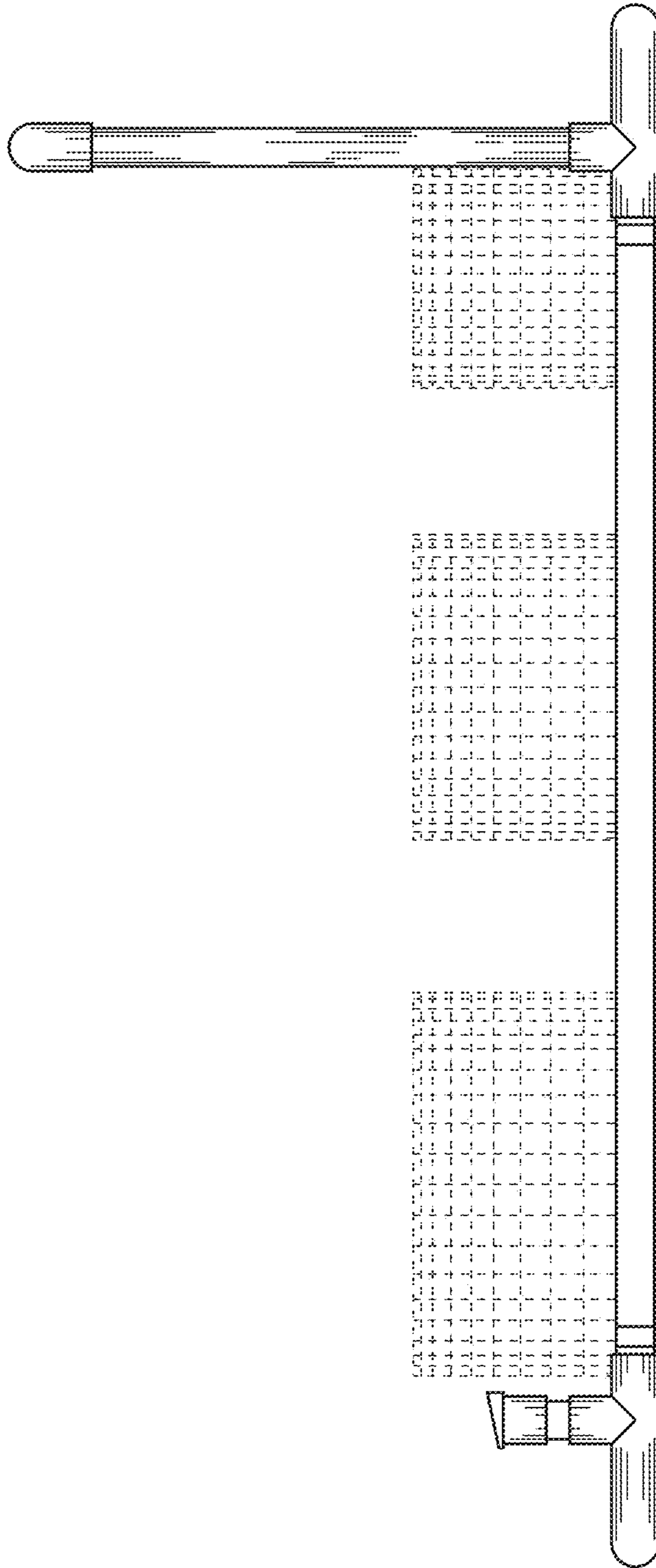


FIG. 5

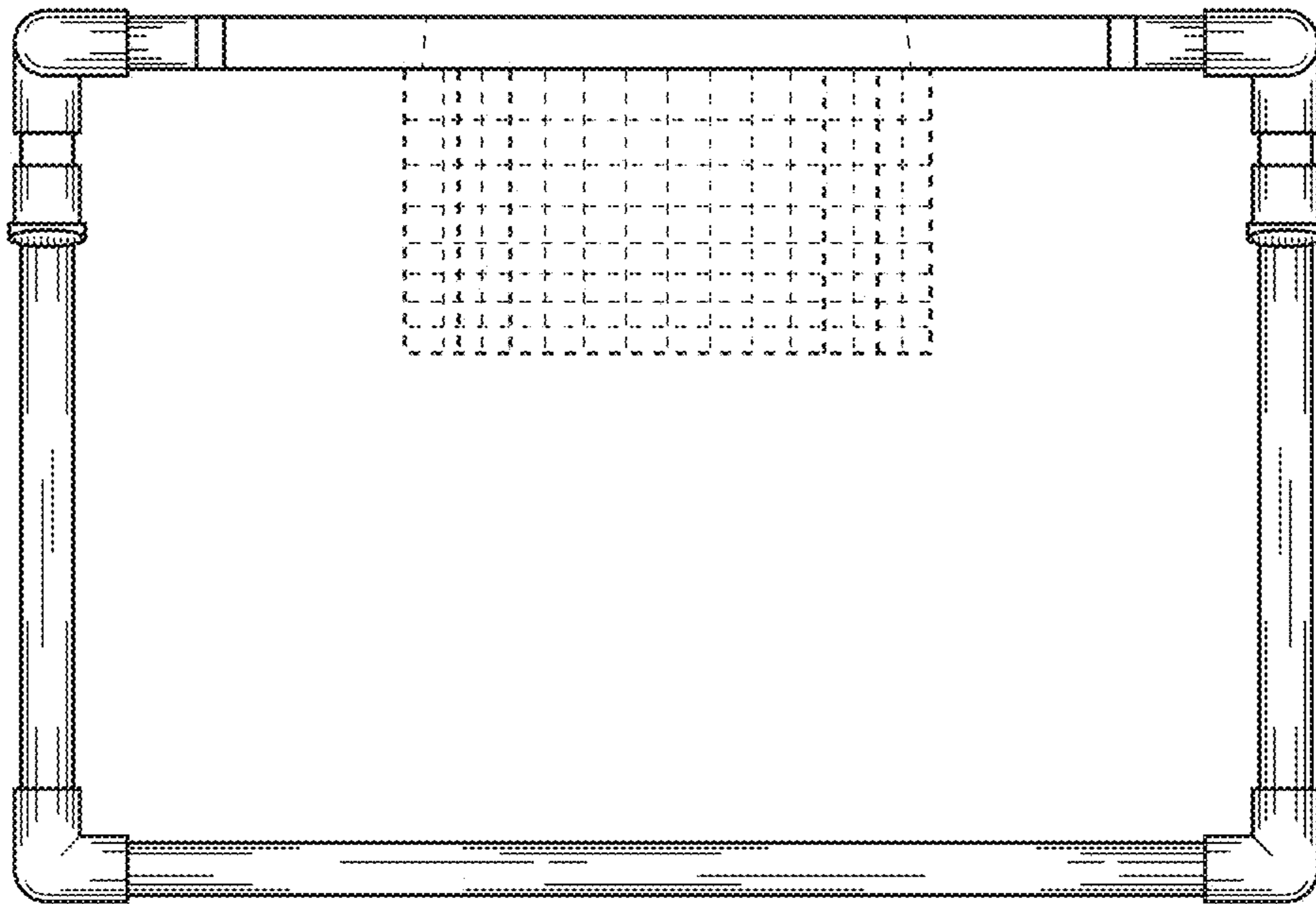


FIG. 6

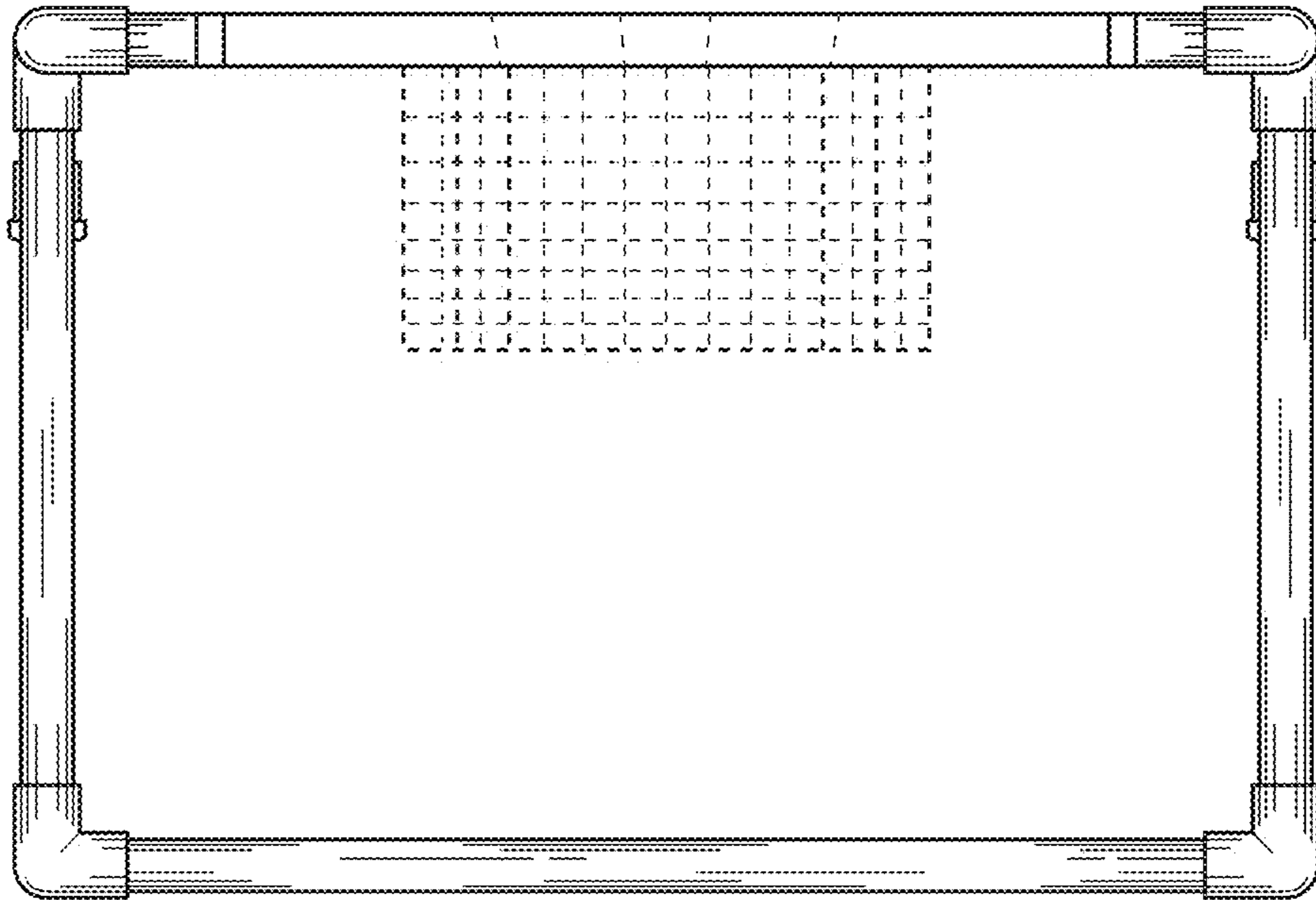


FIG. 7