



US00D933124S

(12) **United States Design Patent** (10) **Patent No.:** **US D933,124 S**  
**Amann et al.** (45) **Date of Patent:** **\*\* Oct. 12, 2021**

(54) **TONER CARTRIDGE**

(71) Applicant: **LEXMARK INTERNATIONAL, INC.**, Lexington, KY (US)  
(72) Inventors: **Mark William Amann**, Lexington, KY (US); **Brian Lester Boettcher**, Versailles, KY (US); **James Anthony Carter, II**, Lexington, KY (US); **Jay Scott Siekmann**, Nicholasville, KY (US)  
(73) Assignee: **Lexmark International, Inc.**, Lexington, KY (US)

(\*\*) Term: **15 Years**

(21) Appl. No.: **29/687,975**

(22) Filed: **Apr. 17, 2019**

(51) **LOC (13) Cl.** ..... **16-03**

(52) **U.S. Cl.**  
USPC ..... **D18/43**

(58) **Field of Classification Search**  
USPC ..... D15/122, 135-138, 141, 66, 73, 76-78, D15/146, 150, 143, 89; D18/53, 59, 50, D18/14, 19, 54-57, 36-45, 34.4, 34.5, D18/34.6, 18, 51, 34.1; D14/301-303, D14/307, 345, 420-425, 462; D6/691.4, D6/675, 708, 671, 520-523, 580; D34/35, 29, 1; D7/700, 554.3, 637; D3/304, 313; D9/424; D8/313, 314, D8/301, 380, 382, 358, 354; D10/119.1; D32/19, 25, 32, 21; D4/128, 102, 122; D25/157, 160, 162, 119; D19/1, 5, 113, D19/190, 191, 104, 107, 192, 202, 99, D19/100  
CPC ..... B41J 2/14; B41J 2/01; B41J 2/22; B41J 1/54; B41J 3/4073; B41J 3/4078; B41F 17/22; B41F 17/003; B41F 17/38; B28B 1/001; B65H 5/02; G03G 15/08; G03G 15/0891; G03G 15/0875; G03G 2215/0827; G03G 2215/0855; G03G 21/1842

See application file for complete search history.

(56) **References Cited**

U.S. PATENT DOCUMENTS

D102,839 S \* 1/1937 Morley et al. .... D15/89  
D117,667 S \* 11/1939 Horsley ..... D19/22  
D122,471 S \* 9/1940 Seigenberg ..... D19/92  
D165,561 S \* 12/1951 Stone ..... D8/313

(Continued)

OTHER PUBLICATIONS

HP LaserJet Pro 200 toner cartridge, No. date available [online], [retrieved May 3, 2021], Available from Internet, URL: [https://www.ifixit.com/Guide/HP+Laserjet+Pro+200+Color+MFP++Toner+Cartridge+Drawer+Replacement/123440.\\*](https://www.ifixit.com/Guide/HP+Laserjet+Pro+200+Color+MFP++Toner+Cartridge+Drawer+Replacement/123440.*)

(Continued)

*Primary Examiner* — Dana K Weiland

*Assistant Examiner* — Mary Claire Ramirez

(74) *Attorney, Agent, or Firm* — Justin M. Tromp

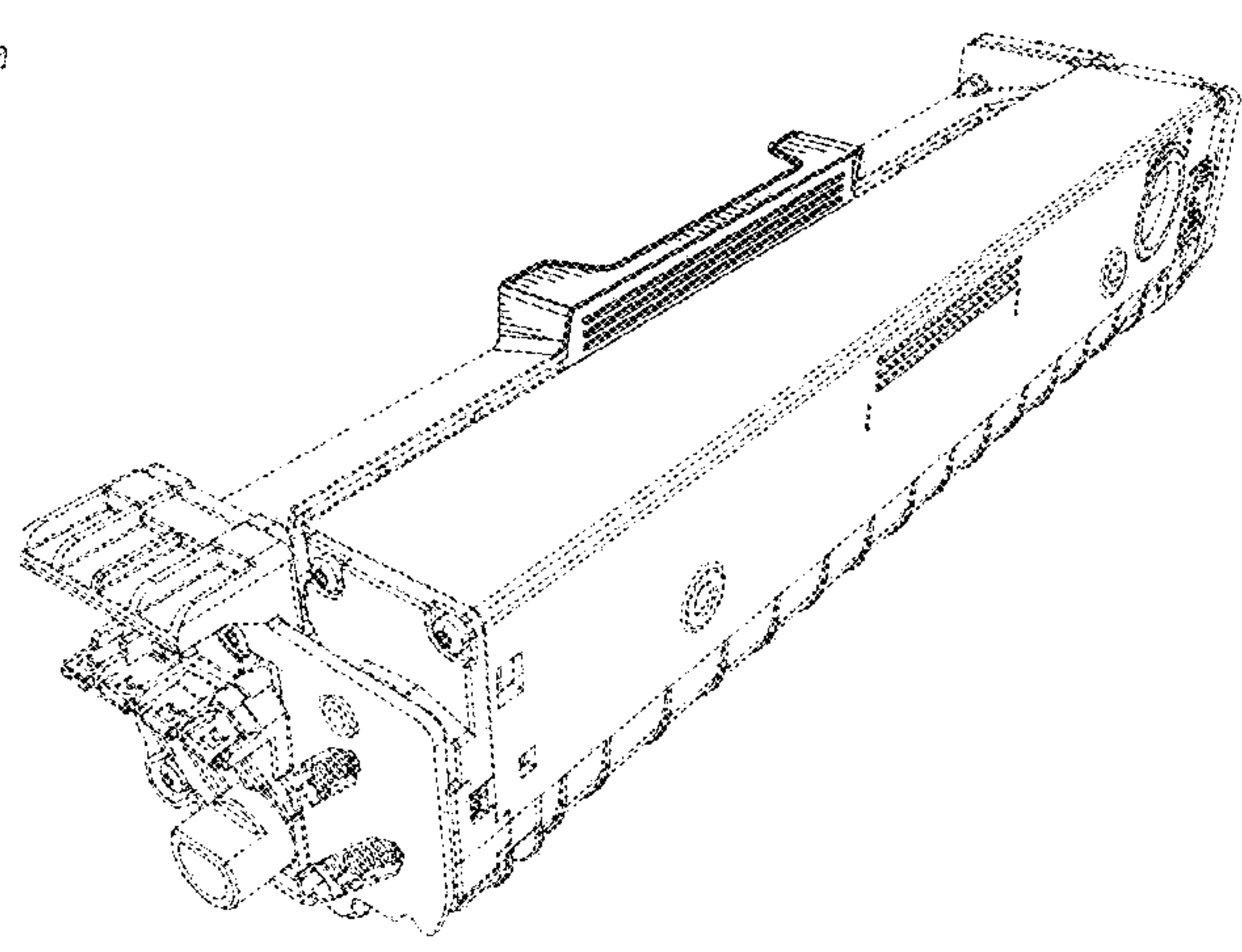
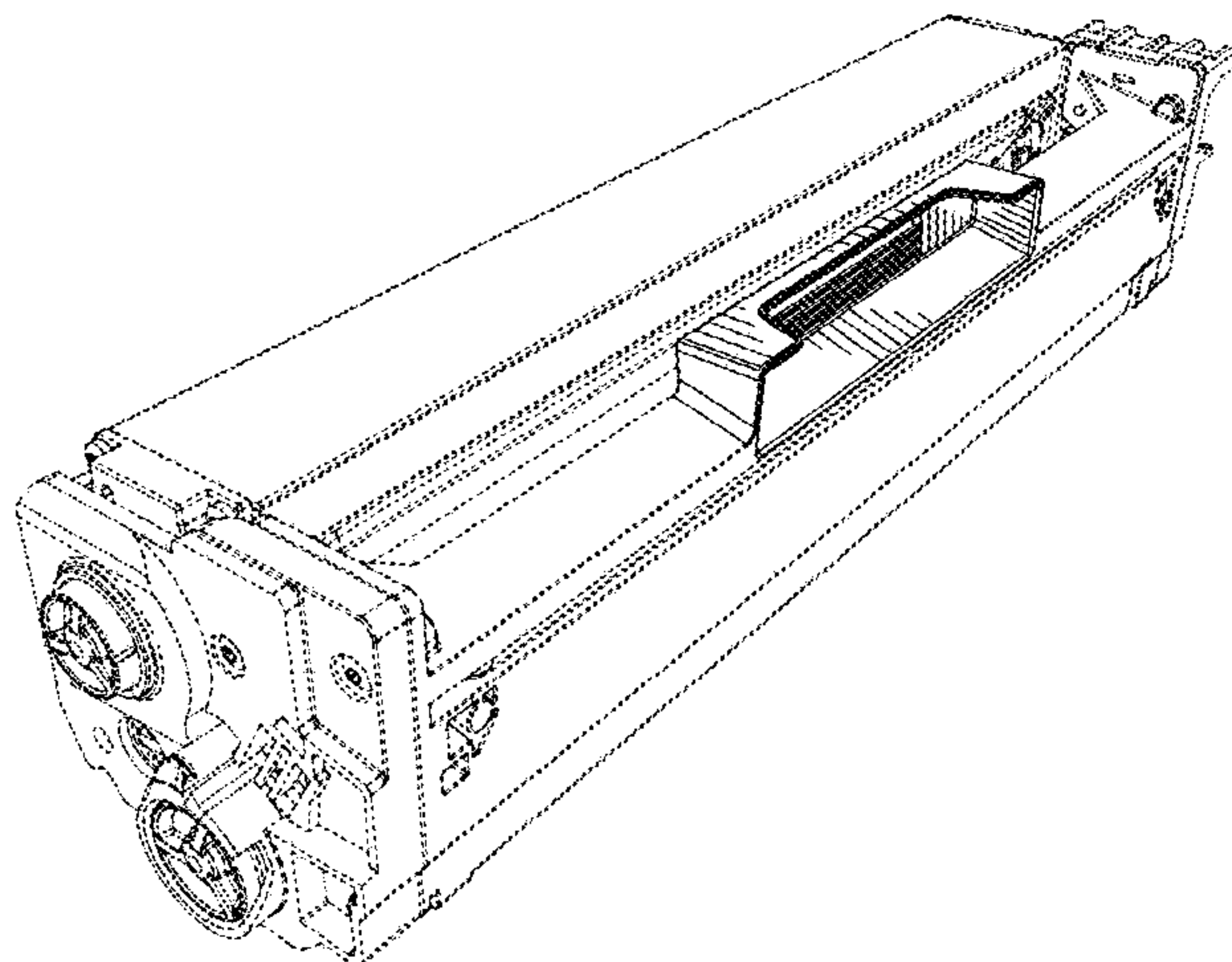
(57) **CLAIM**

The ornamental design for a toner cartridge, as shown and described.

**DESCRIPTION**

FIG. 1 is a left, front, top perspective view of a toner cartridge showing the new design;  
FIG. 2 is a right, rear, top perspective view thereof;  
FIG. 3 is a right, front, bottom perspective view thereof;  
FIG. 4 is a left, rear, bottom perspective view thereof;  
FIG. 5 is an elevation view of the right thereof;  
FIG. 6 is an elevation view of the left thereof;  
FIG. 7 is an elevation view of the front thereof;  
FIG. 8 is an elevation view of the rear thereof;  
FIG. 9 is a top view thereof; and,  
FIG. 10 is a bottom view thereof.  
The features shown in broken lines depict portions of the toner cartridge and form no part of the claimed design.

**1 Claim, 9 Drawing Sheets**



(56)

References Cited

U.S. PATENT DOCUMENTS

D172,206 S \* 5/1954 Anderson ..... D8/313  
 D196,890 S \* 11/1963 Garner ..... D19/78  
 D199,044 S \* 9/1964 Jackson ..... D19/92  
 D220,014 S \* 2/1971 Rome et al. .... D19/92  
 D244,511 S \* 5/1977 Frisbey ..... D9/432  
 D247,025 S \* 1/1978 Cherry ..... D3/312  
 D282,043 S \* 1/1986 Morin ..... D6/406.6  
 D413,311 S \* 8/1999 Blalock ..... D14/420  
 D414,809 S \* 10/1999 Trombly ..... D19/77  
 D445,822 S \* 7/2001 Tosa ..... D18/40  
 D456,454 S \* 4/2002 Bond ..... D19/92  
 D494,213 S \* 8/2004 Wong ..... D18/44  
 D524,847 S \* 7/2006 McIntosh ..... D18/40  
 D529,954 S \* 10/2006 Matsumoto ..... D18/56  
 D538,338 S \* 3/2007 Matsumoto ..... 347/86  
 D566,192 S \* 4/2008 Bhavnani ..... D19/92  
 D586,847 S \* 2/2009 Han ..... D18/43  
 D637,225 S \* 5/2011 Kishi ..... D18/43  
 D637,226 S \* 5/2011 Sakuma ..... D18/43  
 D652,862 S \* 1/2012 Mori ..... D18/43  
 D723,614 S \* 3/2015 Shimizu ..... D18/43  
 D737,536 S \* 8/2015 Baek ..... D34/29  
 D743,211 S \* 11/2015 Choi ..... D7/554.3  
 D791,224 S 7/2017 Toba et al.  
 D791,862 S 7/2017 Toba et al.

D806,164 S \* 12/2017 Smith ..... D18/56  
 D818,534 S \* 5/2018 Mita ..... D18/55  
 D836,161 S \* 12/2018 Eto ..... D18/43  
 D839,022 S \* 1/2019 Jones ..... D6/520  
 D849,131 S \* 5/2019 Shimizu ..... D18/43  
 10,474,093 B1 \* 11/2019 Amann ..... G03G 21/1676  
 D873,335 S \* 1/2020 Kashiide ..... D18/43  
 10,962,905 B1 \* 3/2021 Boettcher ..... G03G 15/0881  
 2020/0133188 A1 \* 4/2020 Amann ..... G03G 21/1857  
 2020/0142348 A1 \* 5/2020 Amann ..... G03G 21/1676  
 2021/0011397 A1 \* 1/2021 Abler ..... G03G 15/169  
 2021/0063955 A1 \* 3/2021 Boettcher ..... G03G 21/1676

OTHER PUBLICATIONS

Lexmark Toner Cartridge Set, published Aug. 9, 2019 [online],  
 [retrieved May 3, 2021], Available from Internet, URL: [https://www.amazon.com/Lexmark-C3210C0-C3210K0-C3210M0-Cartridge/dp/B07W4XHT44/ref=sr\\_1\\_7?dchild=1&keywords=Lexmark+lnk+Cartridges&qid=1620049722&sr=8-7](https://www.amazon.com/Lexmark-C3210C0-C3210K0-C3210M0-Cartridge/dp/B07W4XHT44/ref=sr_1_7?dchild=1&keywords=Lexmark+lnk+Cartridges&qid=1620049722&sr=8-7).  
 U.S. Appl. No. 29/687,971, filed Apr. 17, 2019 (Amann et al.).  
 U.S. Appl. No. 29/687,978, filed Apr. 17, 2019 (Amann et al.).  
 U.S. Appl. No. 29/687,982, filed Apr. 17, 2019 (Amann et al.).  
 U.S. Appl. No. 29/721,461, filed Jan. 21, 2020 (Amann et al.).  
 U.S. Appl. No. 29/721,483, filed Jan. 21, 2020 (Amann et al.).

\* cited by examiner



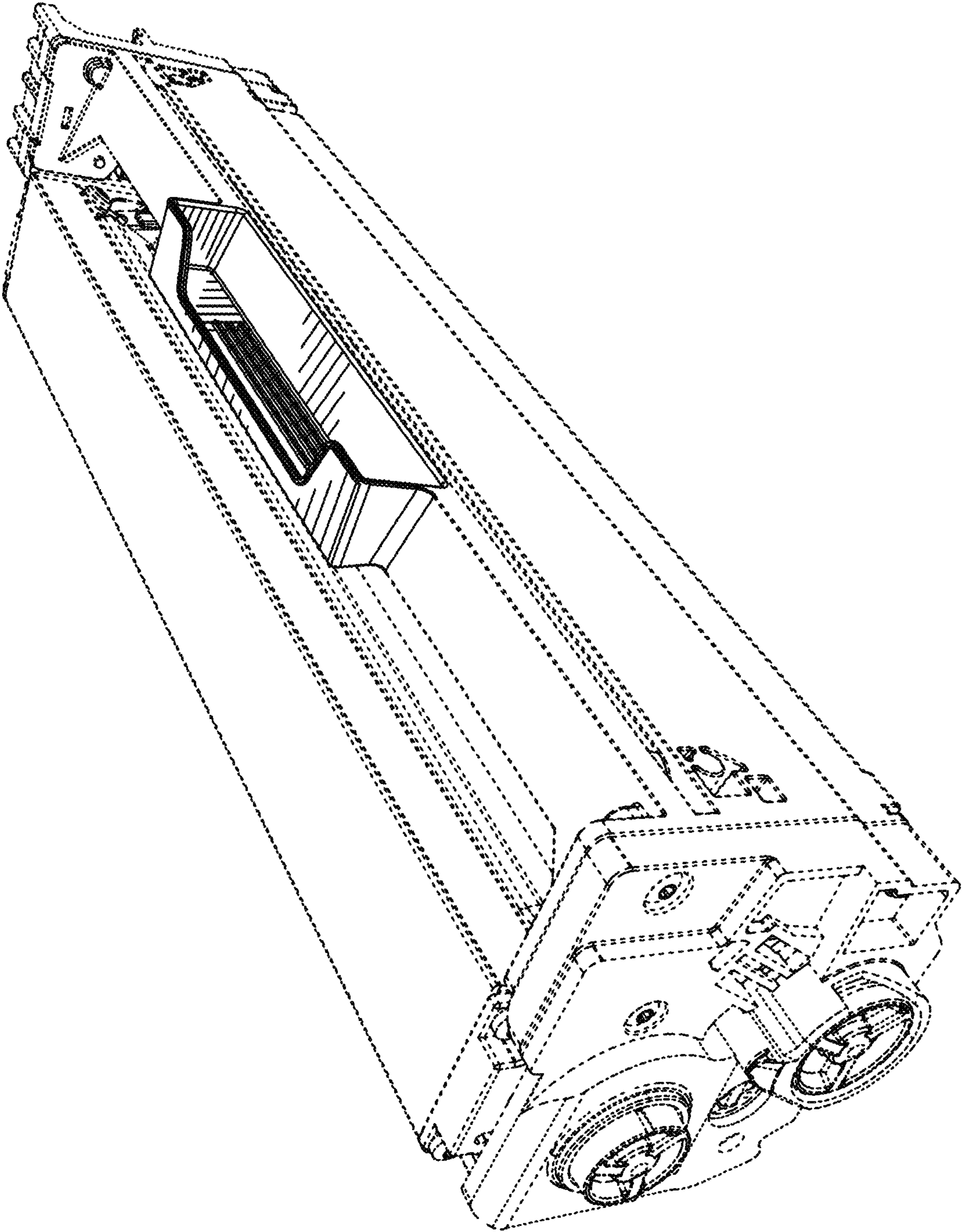


FIG. 1

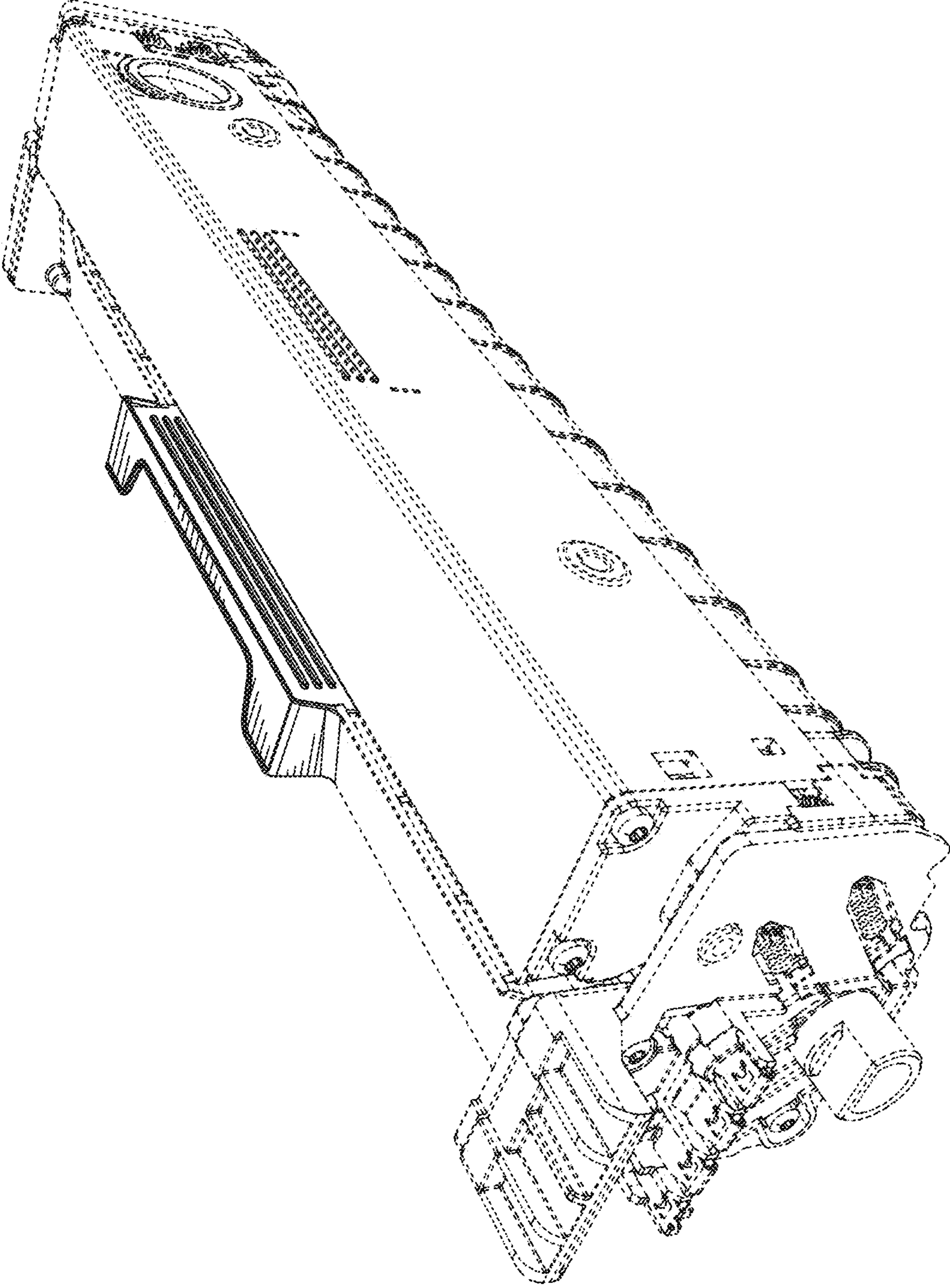


FIG. 2

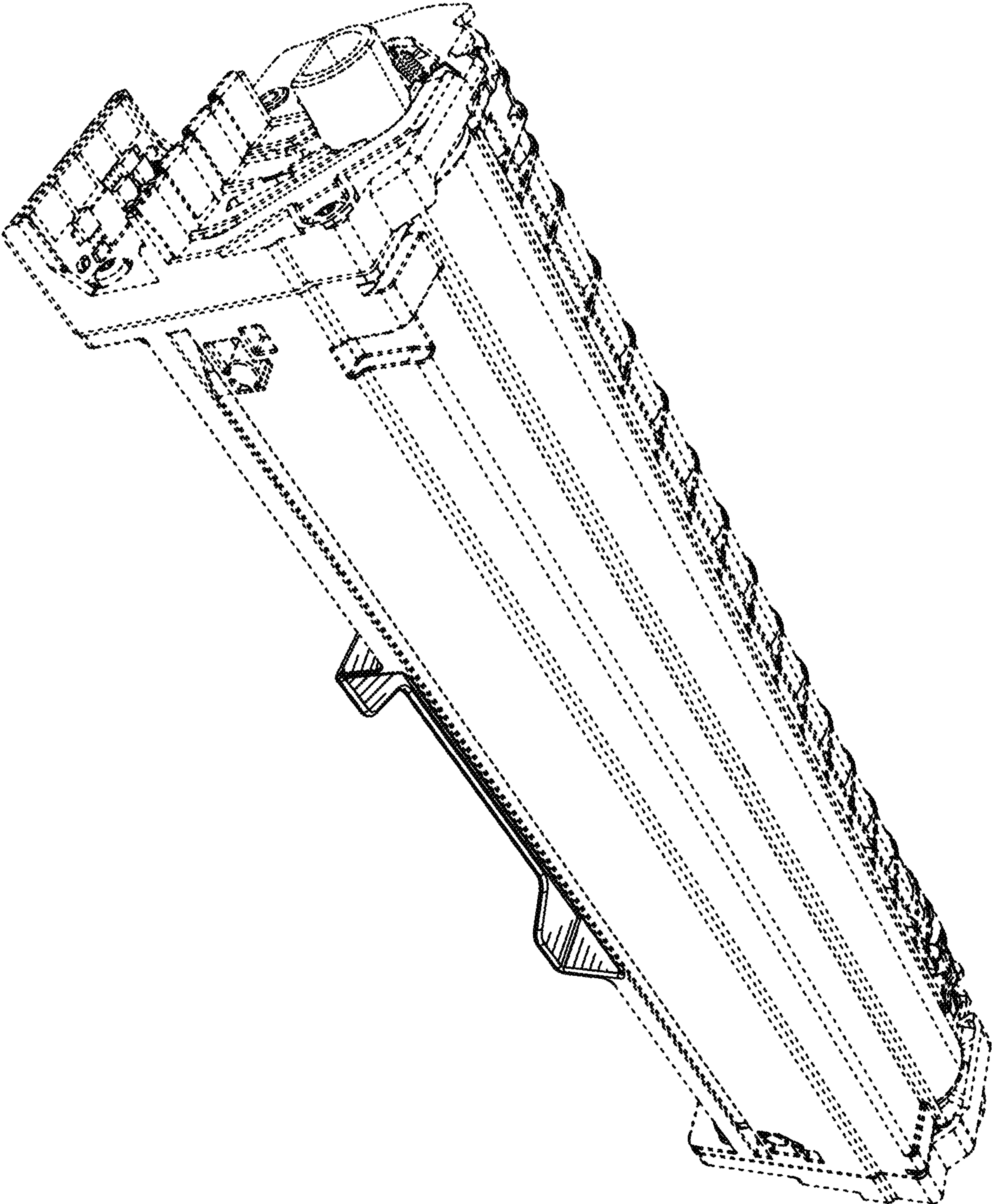


FIG. 3



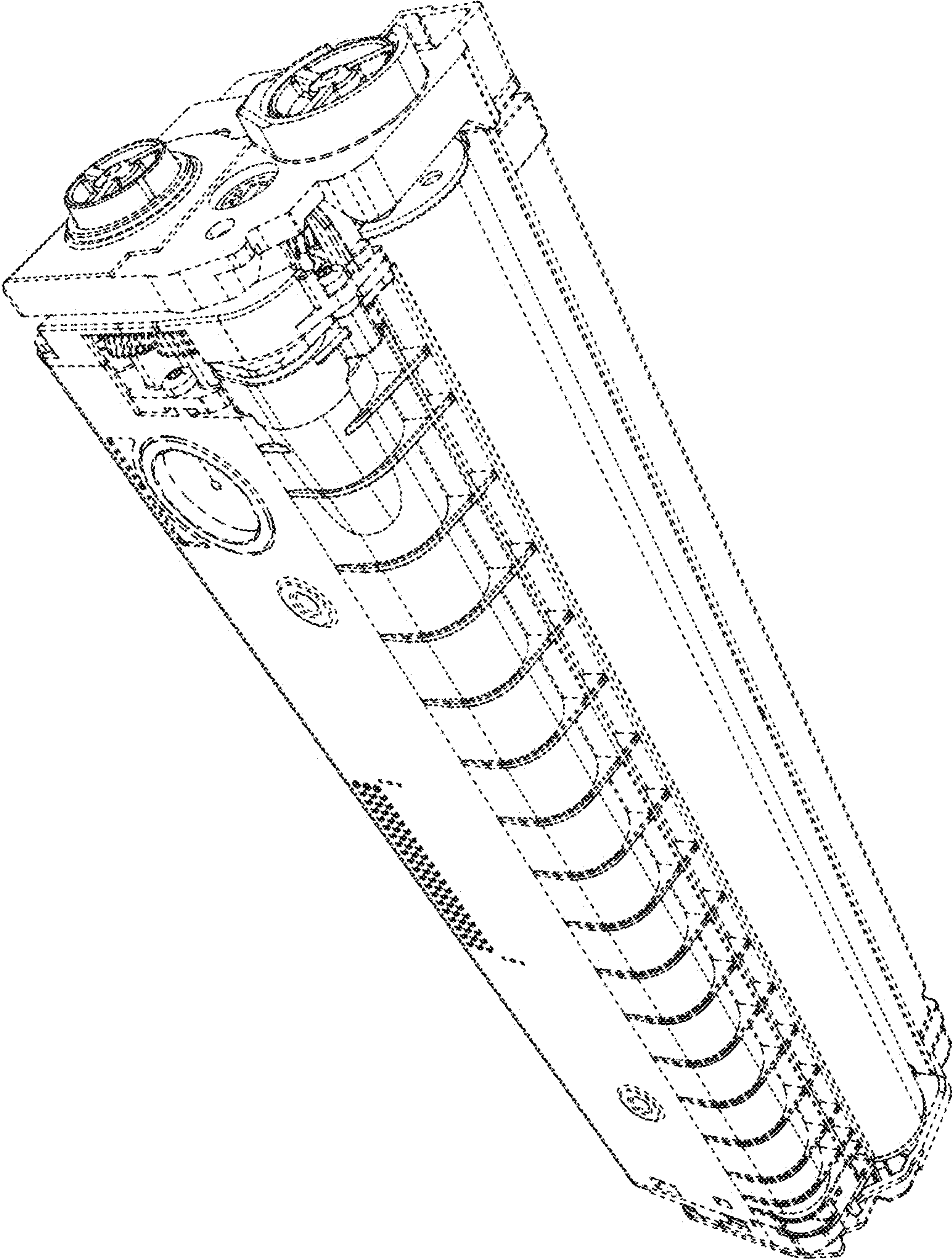


FIG. 4

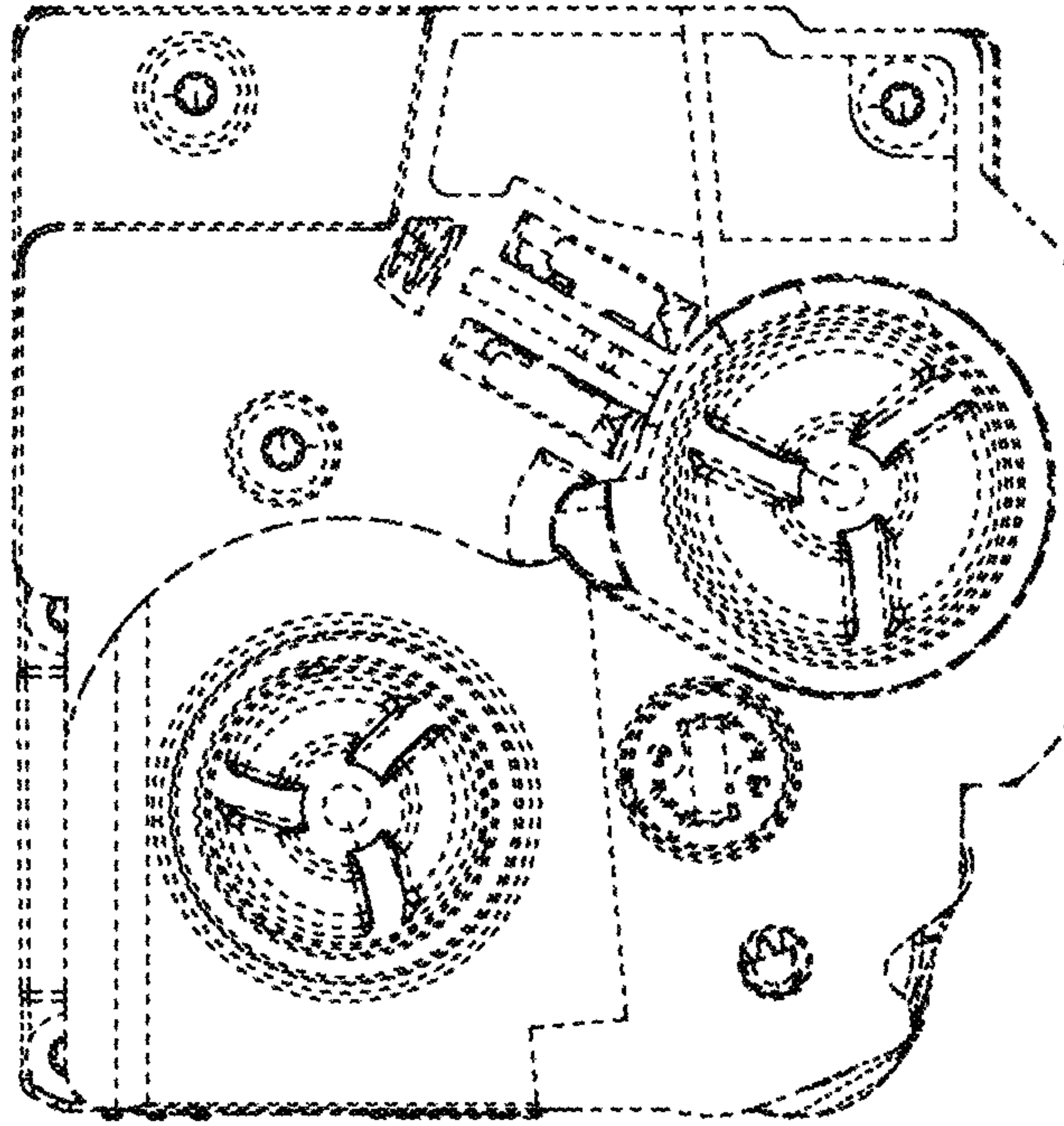


FIG. 5

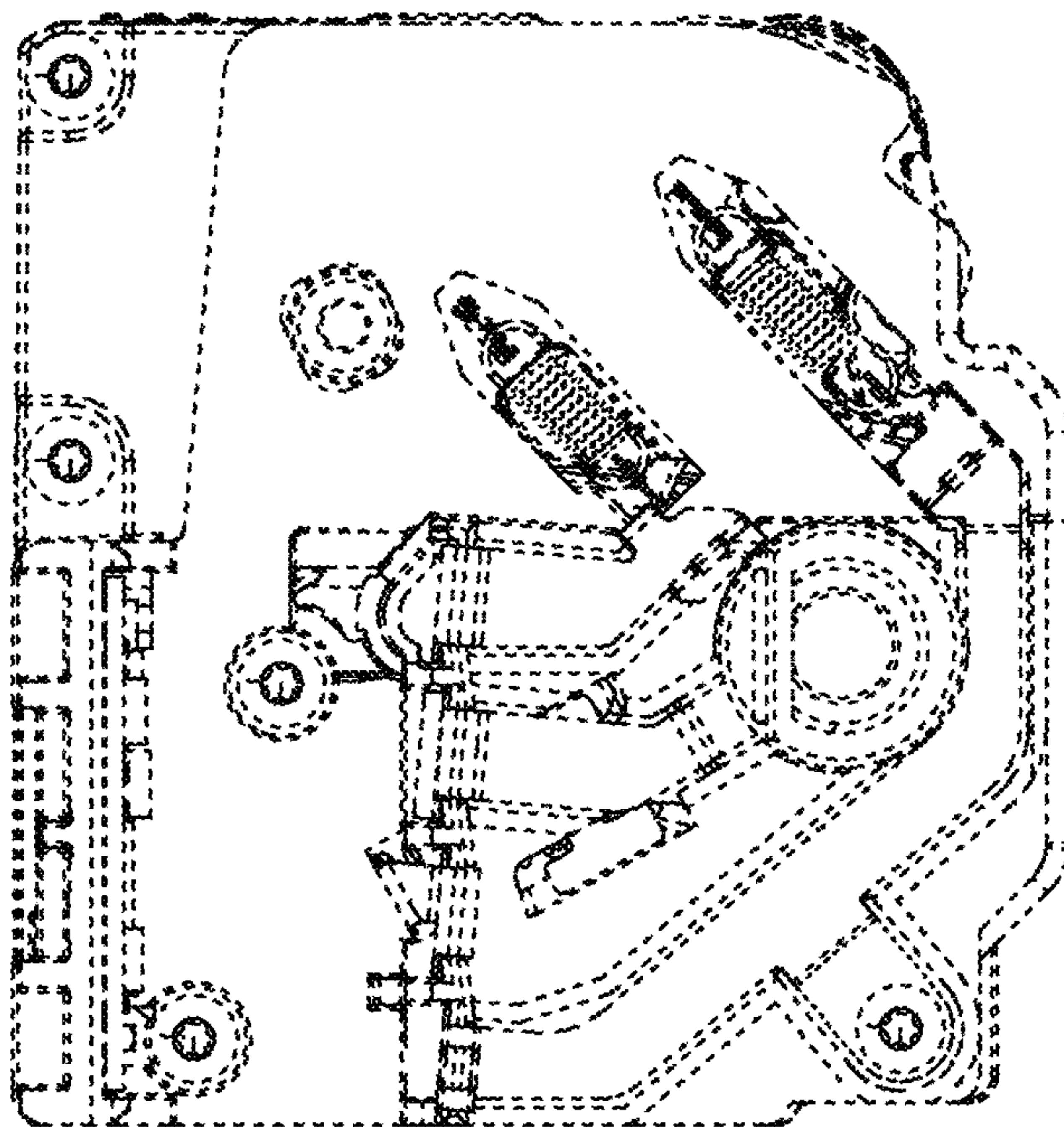


FIG. 6

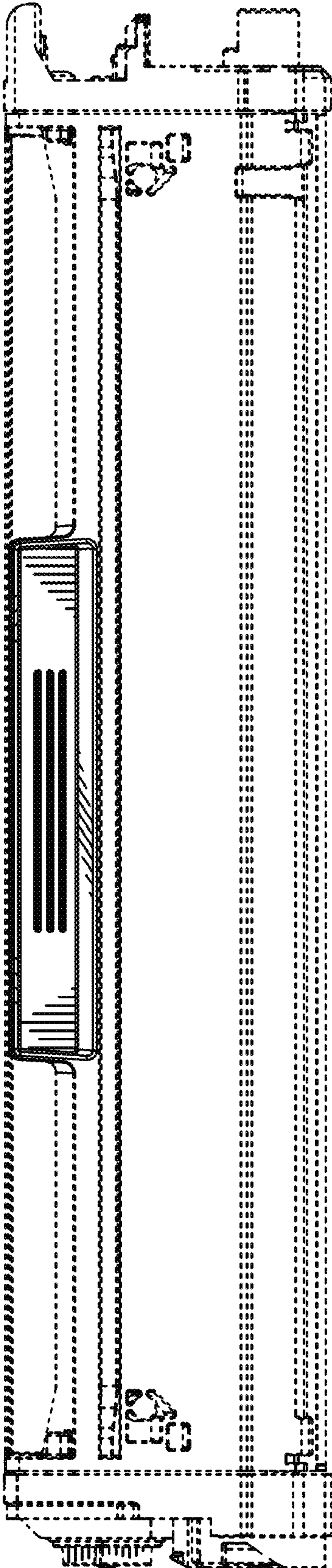


FIG. 7



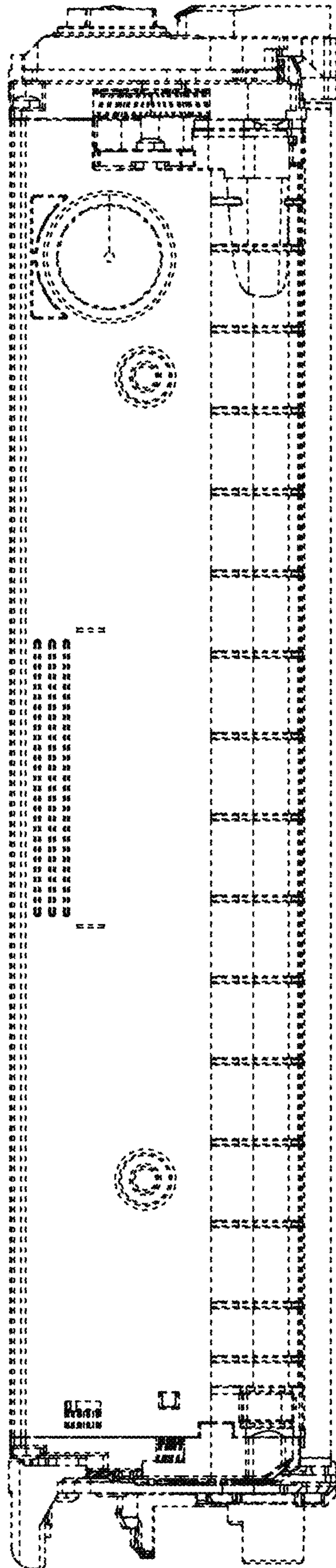


FIG. 8

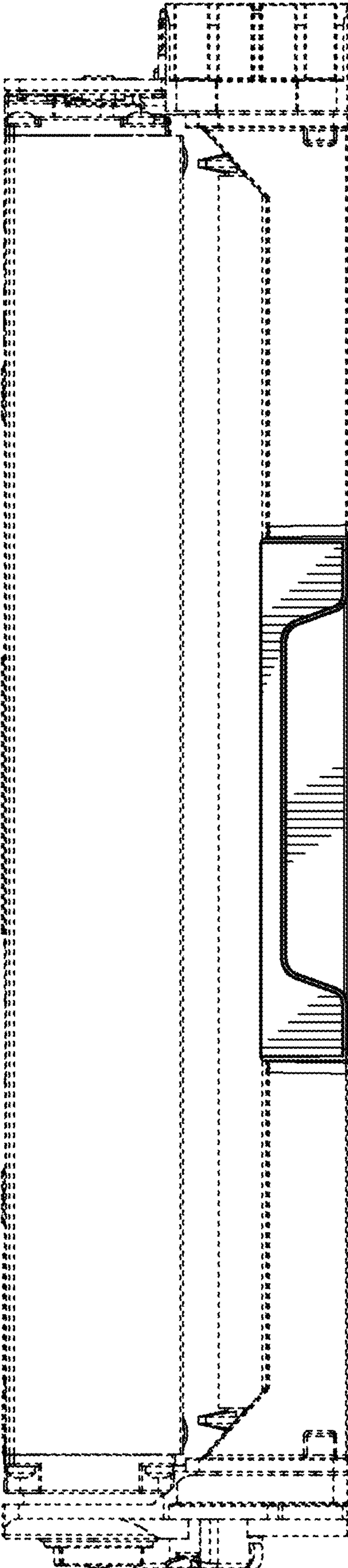


FIG. 9

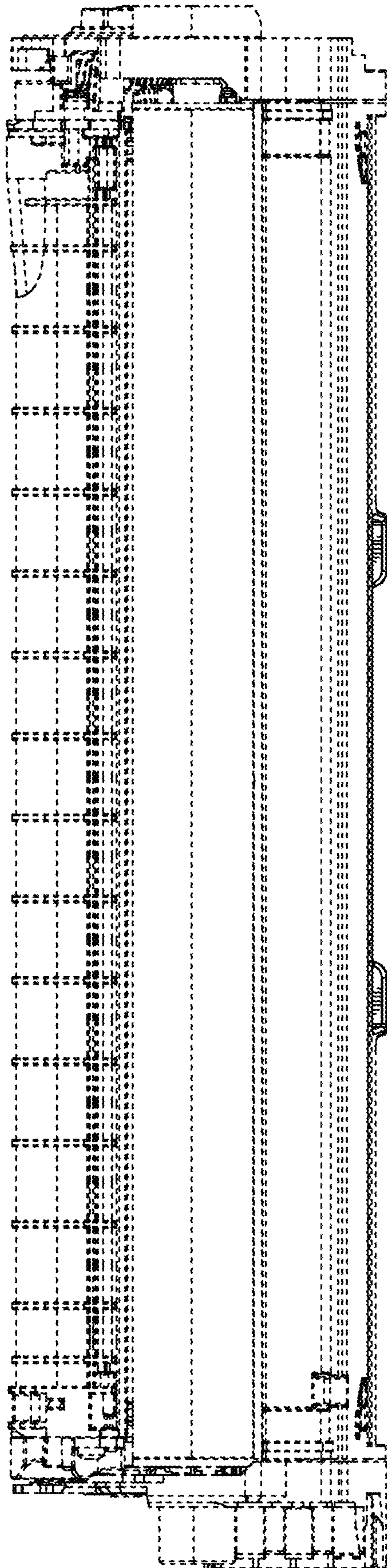


FIG. 10