



US00D933122S

(12) **United States Design Patent**
Chiu

(10) **Patent No.:** **US D933,122 S**

(45) **Date of Patent:** **** Oct. 12, 2021**

(54) **POINT-OF-SALE (POS) TERMINAL**

(71) Applicant: **SENROR TECH CO., LTD.**, New Taipei (TW)

(72) Inventor: **Hsin-Liang Chiu**, New Taipei (TW)

(73) Assignee: **SENROR TECH CO., LTD.**, New Taipei (TW)

(**) Term: **15 Years**

(21) Appl. No.: **29/737,271**

(22) Filed: **Jun. 8, 2020**

(51) **LOC (13) Cl.** **18-01**

(52) **U.S. Cl.**
USPC **D18/4.5**

(58) **Field of Classification Search**

USPC D18/4.4, 4.5, 4.6, 2, 11, 12, 12.3, 50, 14, D18/19-21, 54, 99, 4.1, 4.3; D14/300, D14/307, 314, 328, 332-340, 356, 383, D14/385, 386, 434, 447, 451, 453, 457, D14/496, 168, 299, 900, 902, 371, 125, D14/126, 129, 216, 341; D20/1, 8, 9; D99/28, 43; D24/185, 186
CPC G06F 1/1601; G06F 1/1692; G06Q 20/00; G06Q 20/08; G06Q 20/20; G06Q 20/204; G06Q 20/18; G07F 7/0873; G07F 7/088; G07F 7/0886; G07F 7/0893; G07G 1/0009; G07G 1/0018

See application file for complete search history.

(56) **References Cited**

U.S. PATENT DOCUMENTS

4,438,458 A * 3/1984 Munscher G06F 1/1601 348/838
D319,435 S * 8/1991 Brown D14/336
D383,739 S * 9/1997 Gilgen D14/126
6,031,714 A * 2/2000 Ma G06F 1/1601 248/918

D438,862 S * 3/2001 Brandenburg D14/336
D532,387 S * 11/2006 Lukic D14/126
D537,079 S * 2/2007 Park D14/375
D540,797 S * 4/2007 Chen D14/336
D554,639 S * 11/2007 Kim D14/375
D578,087 S * 10/2008 Yokota D14/126
D590,785 S * 4/2009 Yokota D14/126
D599,756 S * 9/2009 Yokota D14/126

(Continued)

Primary Examiner — Marie D. Fast Horse

(74) *Attorney, Agent, or Firm* — Ferguson Case Orr Paterson

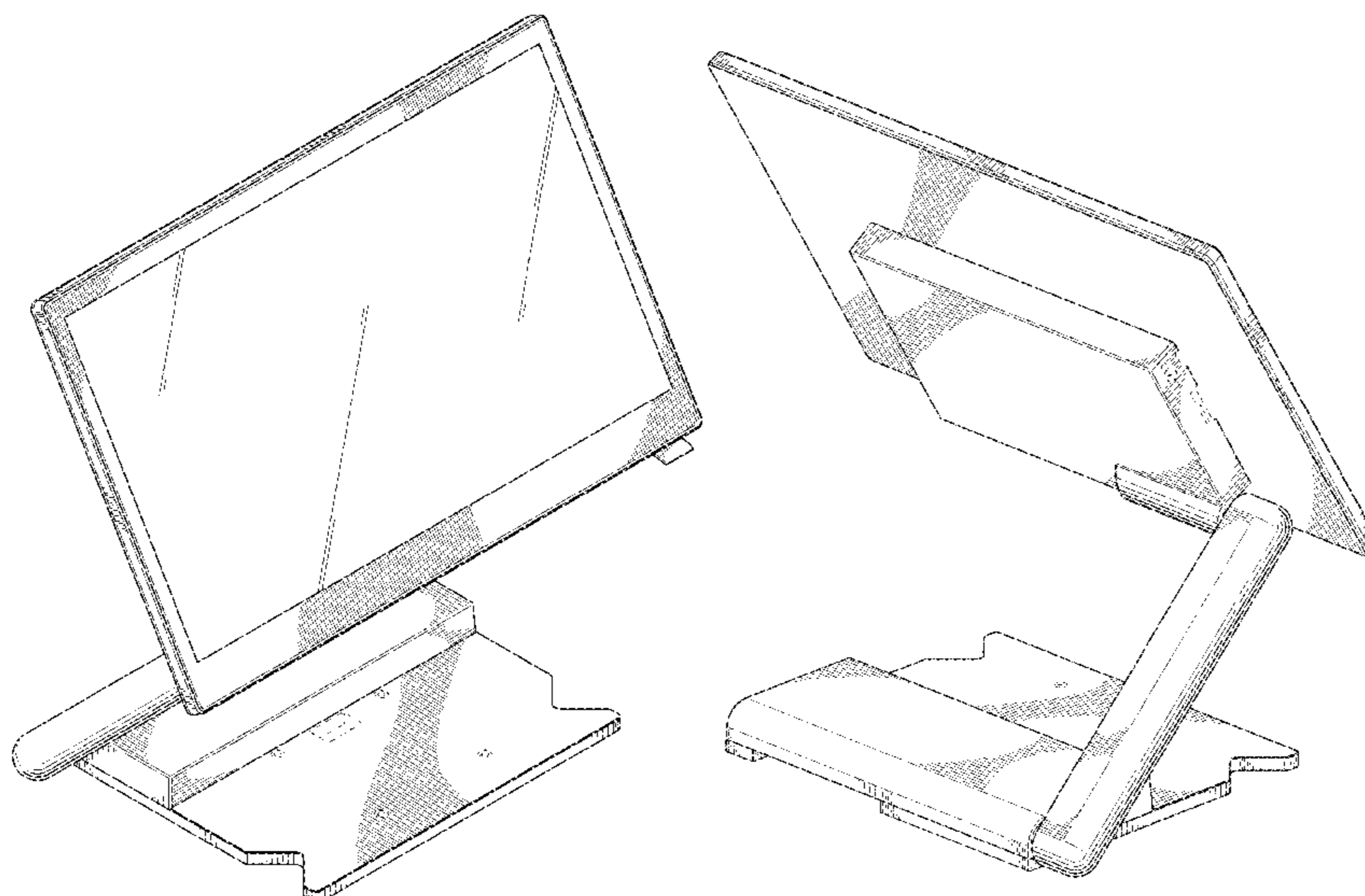
(57) **CLAIM**

The ornamental design for a point-of-sale (POS) terminal, as shown and described herein.

DESCRIPTION

FIG. 1 is a top, front, right side perspective view of a point-of-sale (POS) terminal according to the present disclosure;
FIG. 2 is a top, rear, left side perspective view thereof;
FIG. 3 is a front view thereof;
FIG. 4 is a rear view thereof;
FIG. 5 is a left side view thereof;
FIG. 6 is a right side view thereof;
FIG. 7 is a top view thereof; and
FIG. 8 is a bottom view thereof.
FIG. 9 is a top, front, left side perspective view of the point-of-sale (POS) terminal shown in FIG. 1, in a second position;
FIG. 10 is a top, rear, left side perspective view thereof;
FIG. 11 is a front view thereof;
FIG. 12 is a rear view thereof;
FIG. 13 is a left side view thereof;
FIG. 14 is a right side view thereof;
FIG. 15 is a top view thereof; and,
FIG. 16 is a bottom view thereof.
The portions of the terminal shown in broken line form no part of the claimed design.

1 Claim, 13 Drawing Sheets



(56)

References Cited

U.S. PATENT DOCUMENTS

D602,938 S *	10/2009	Ward	G06F 1/1632	10,726,681 B1 *	7/2020	Durieux	G06Q 20/18
				D14/434	D892,123 S *	8/2020	Campbell	D14/434
7,612,991 B2 *	11/2009	Sakata	G06F 1/1601	10,747,262 B1 *	8/2020	Chiu	G06Q 20/20
				248/917	D897,338 S *	9/2020	Escolin	D14/336
D619,133 S *	7/2010	Bucsa	D14/314	D902,296 S *	11/2020	Cathala	D18/4.5
8,493,723 B2 *	7/2013	Sakata	G06F 1/1601	10,917,986 B2 *	2/2021	Bautista	G06F 1/166
				361/679.22	D918,193 S *	5/2021	Fredette	D14/307
8,542,497 B2 *	9/2013	Sakata	H05K 5/0226	D918,196 S *	5/2021	Ye	D14/307
				361/796	2006/0256512 A1 *	11/2006	Kang	G06F 1/162
D695,244 S *	12/2013	Wolff	D14/126					361/679.05
D703,631 S *	4/2014	Hallar	D14/129	2008/0266768 A1 *	10/2008	Drew	F16M 11/105
D706,864 S *	6/2014	Branck	D18/4.6					361/679.06
D724,040 S *	3/2015	Chan	D14/126	2008/0291615 A1 *	11/2008	Sakata	F16M 11/10
D732,495 S *	6/2015	Liao	D14/126					361/679.05
D743,394 S *	11/2015	Chang	D14/375	2010/0195294 A1 *	8/2010	Sakata	G06F 1/20
9,659,466 B1 *	5/2017	Chen	G06Q 20/20					361/749
D803,827 S *	11/2017	Escolin	D14/336	2014/0353453 A1 *	12/2014	Quijano	F16M 11/2021
D807,424 S *	1/2018	Chang	D18/4.4					248/419
D816,662 S *	5/2018	Haller	D14/336	2016/0161045 A1 *	6/2016	Lee	G06F 1/1601
									361/679.22
					2017/0300083 A1 *	10/2017	Park	G06F 1/166

* cited by examiner

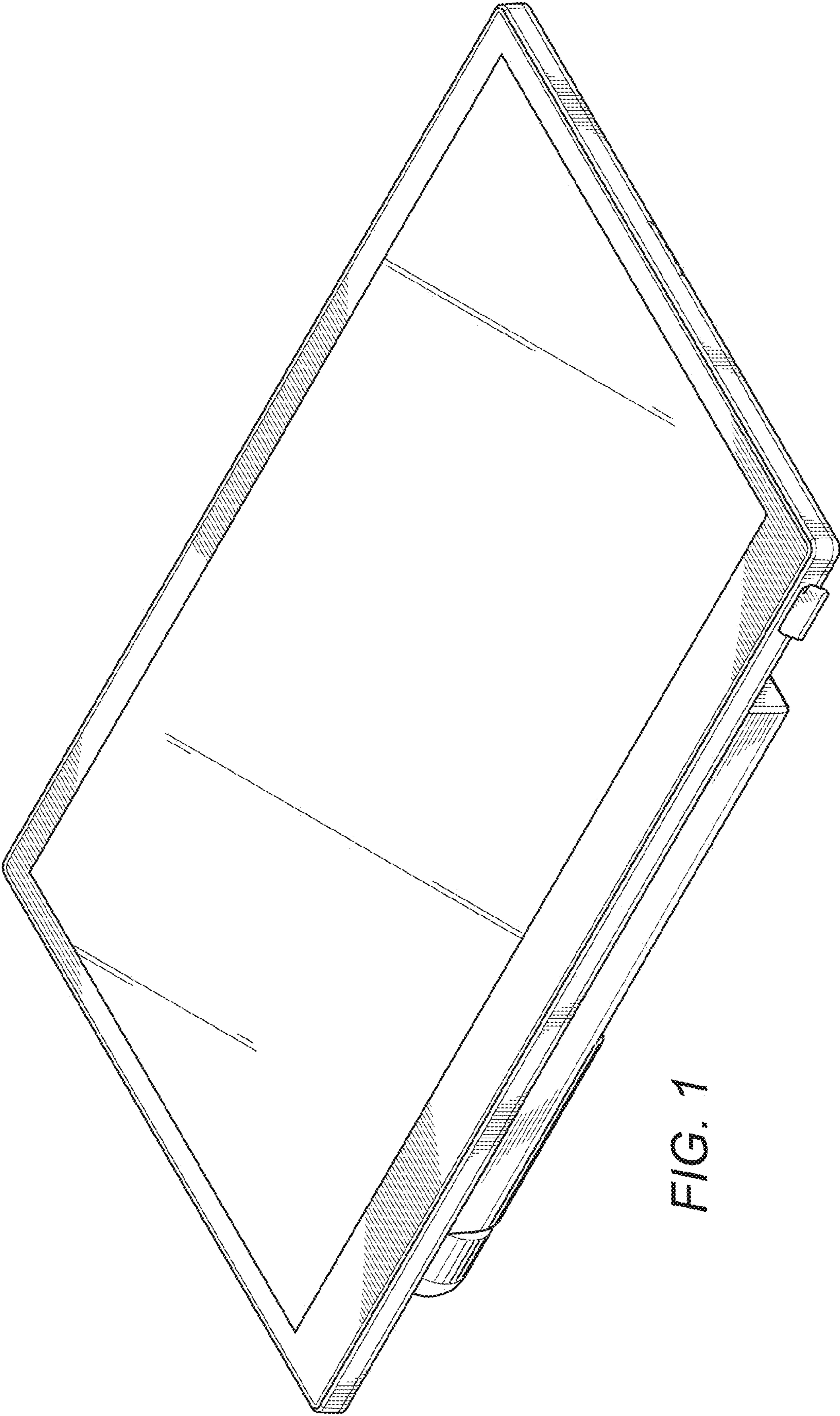


FIG. 1

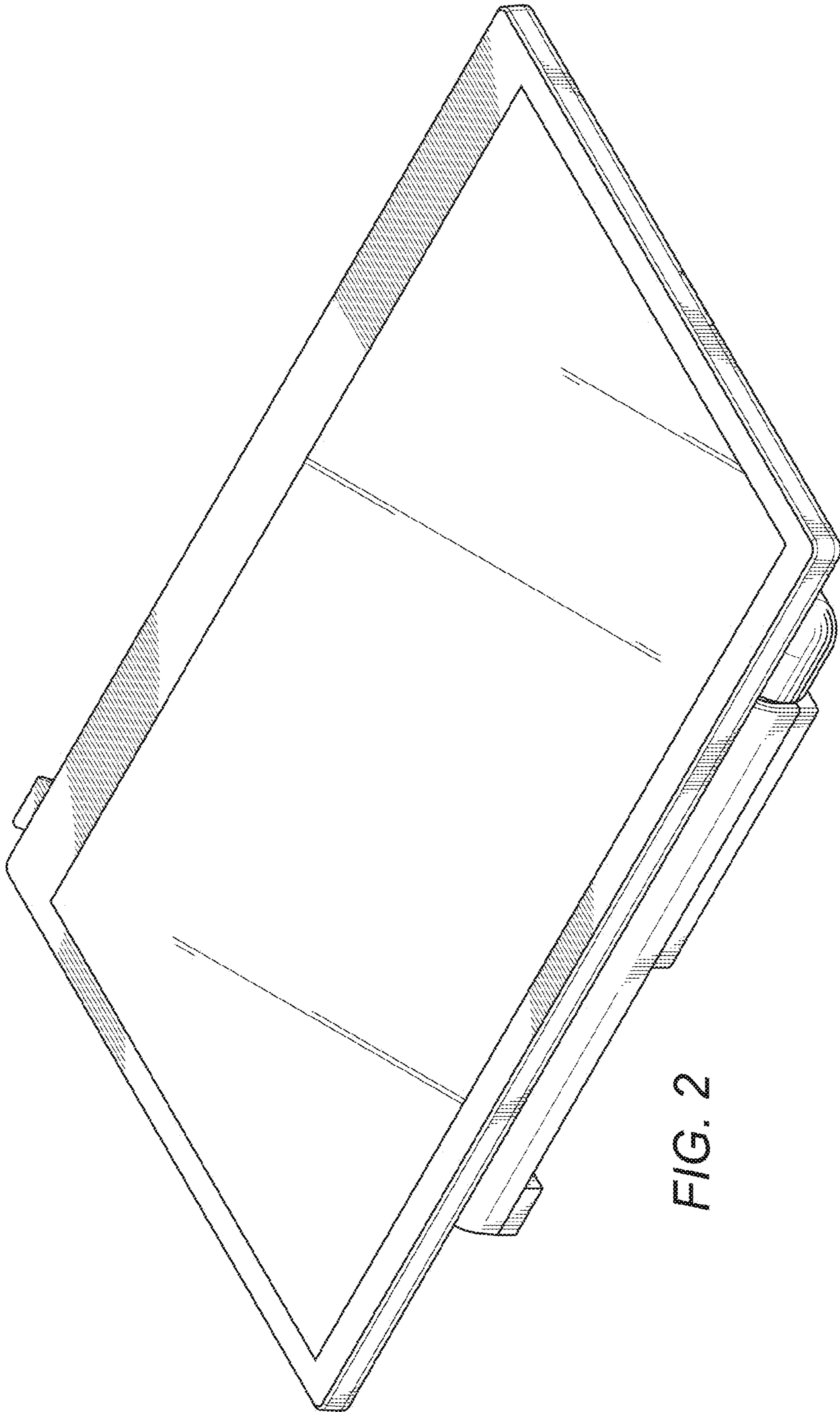


FIG. 2

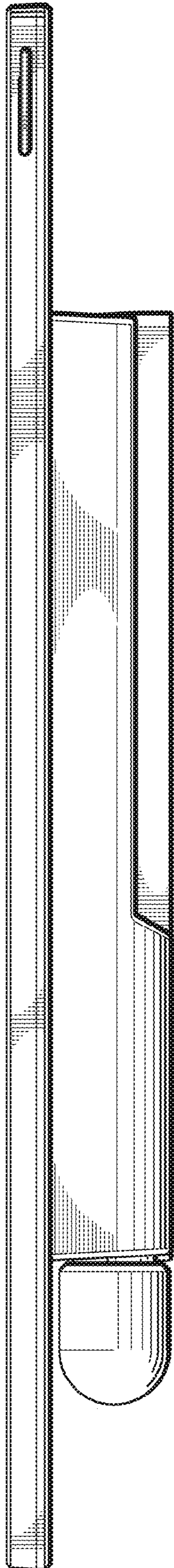


FIG. 3

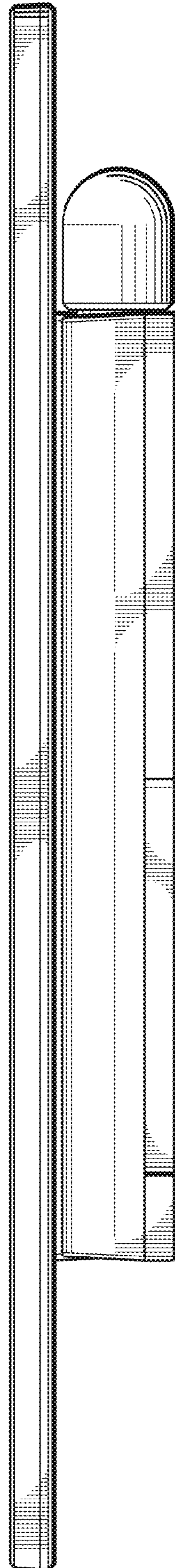


FIG. 4

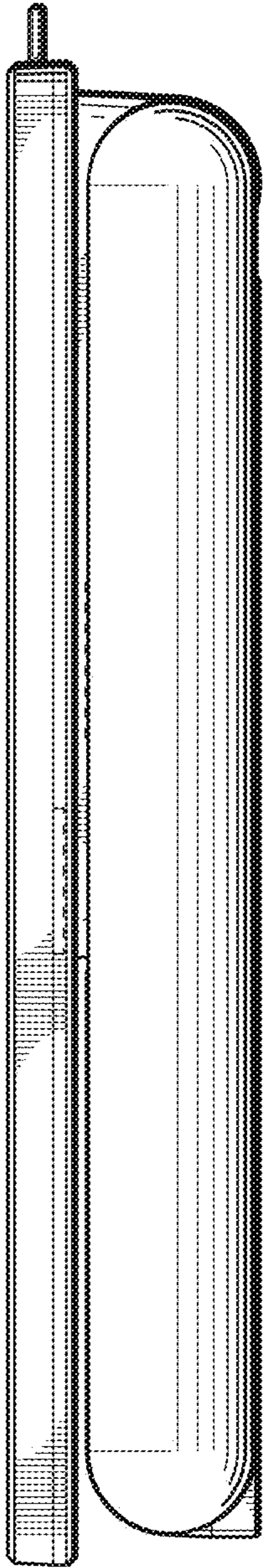


FIG. 5

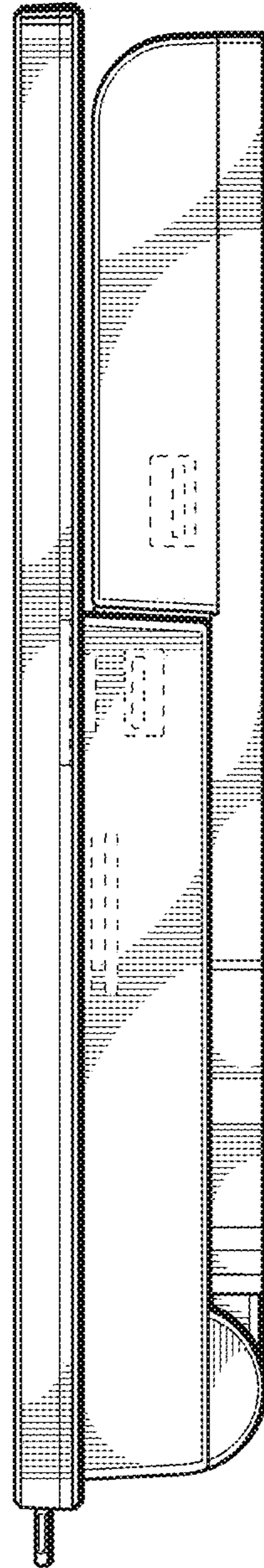


FIG. 6

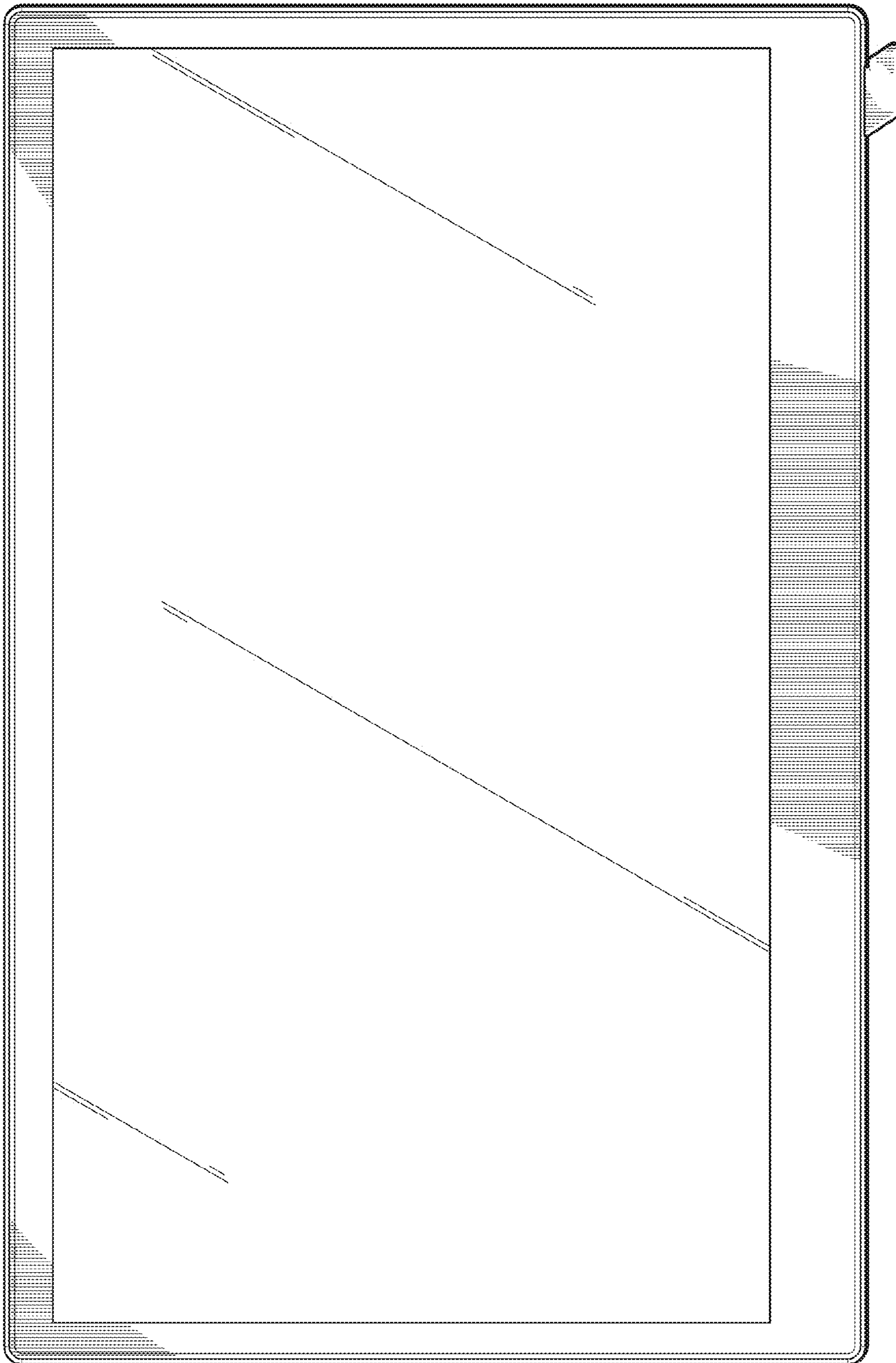
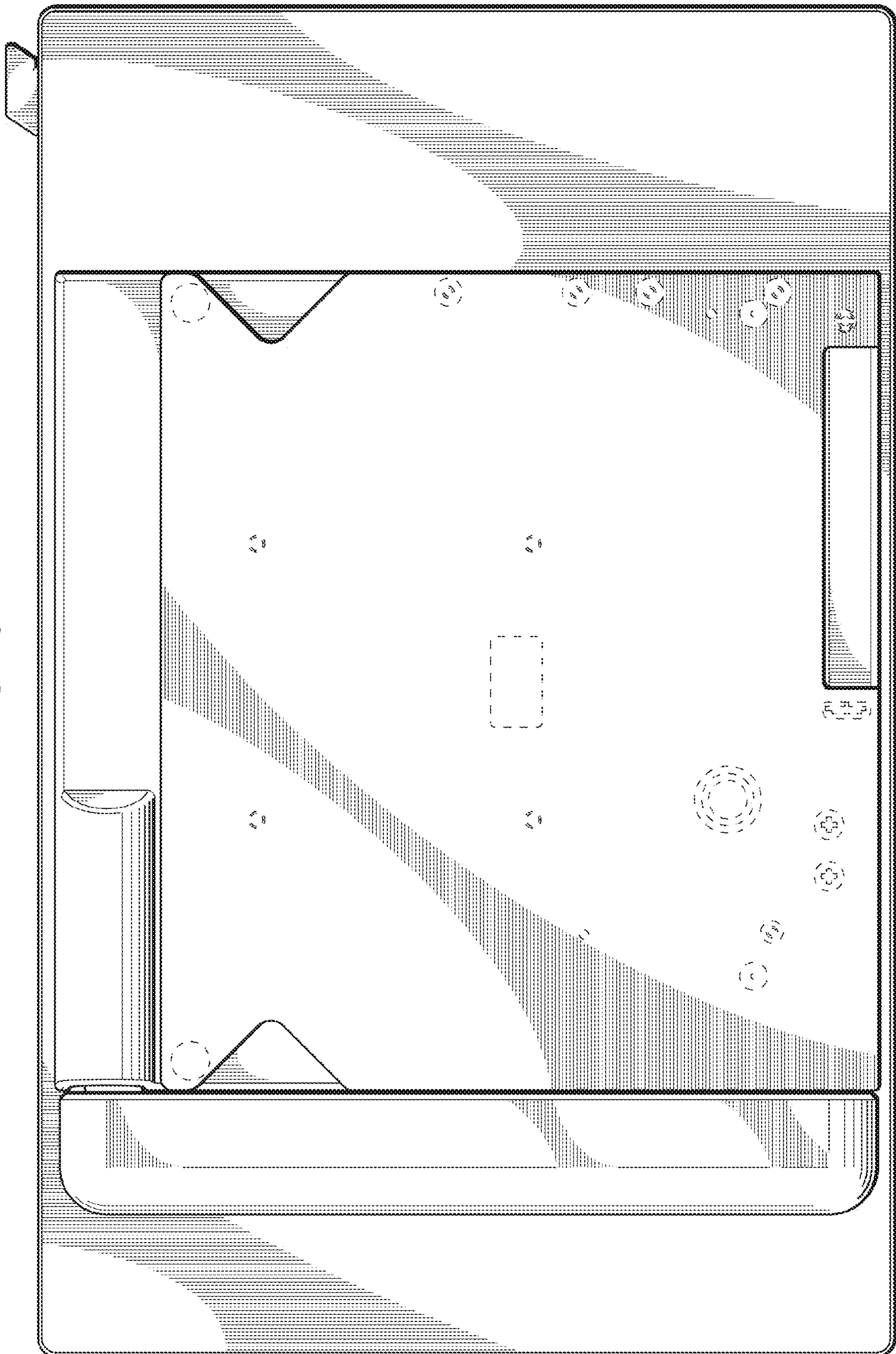


FIG. 7

FIG. 8



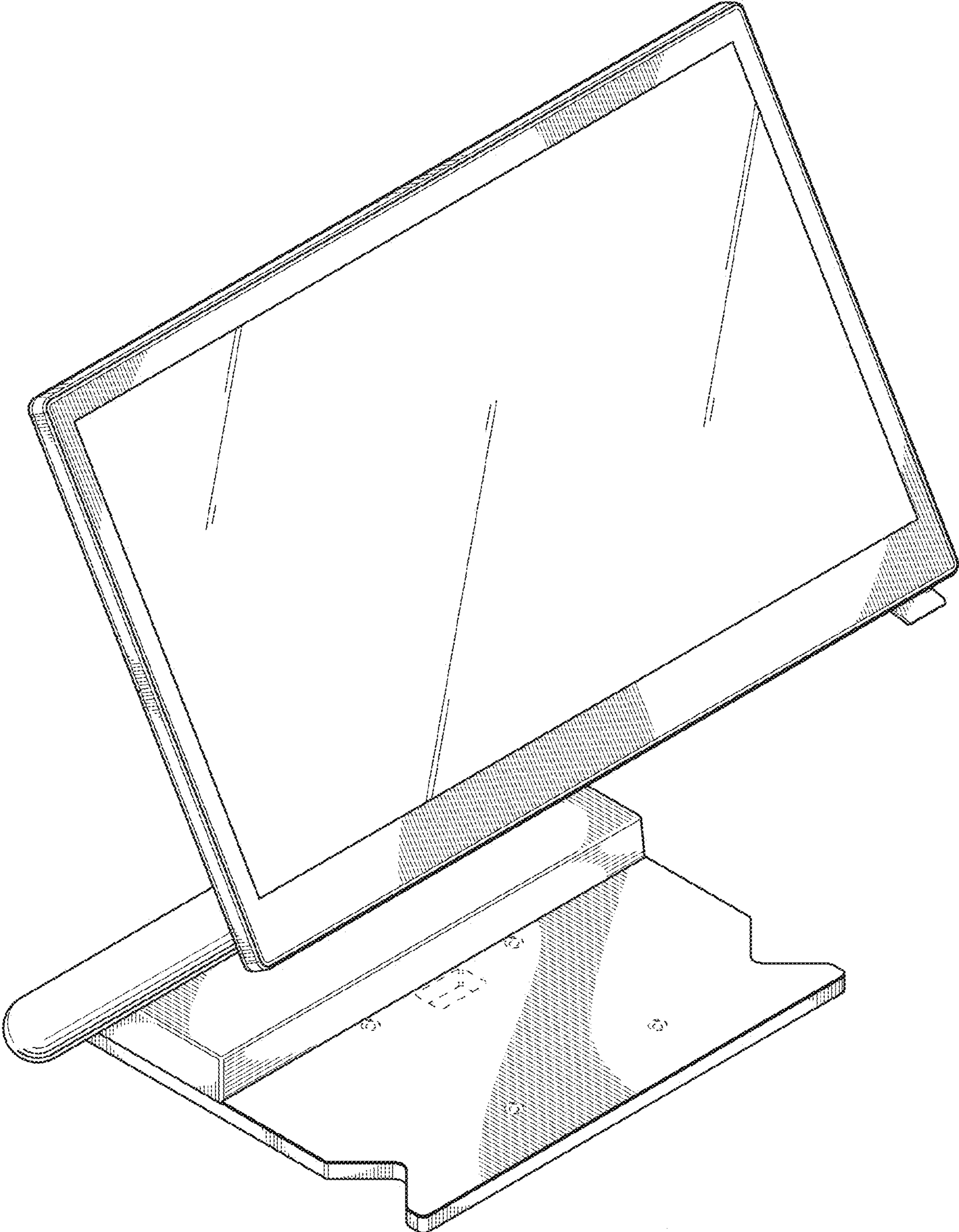


FIG. 9

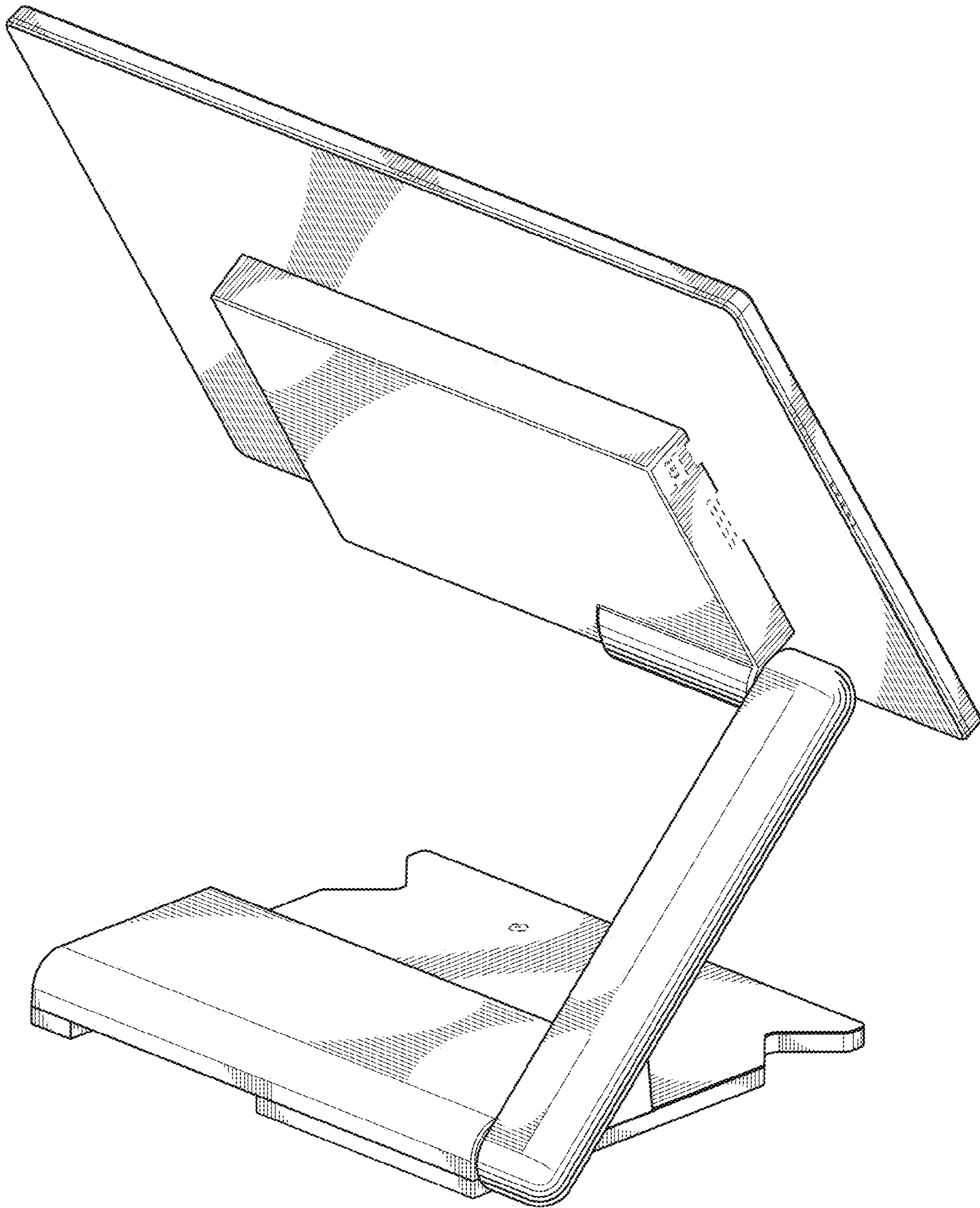


FIG. 10

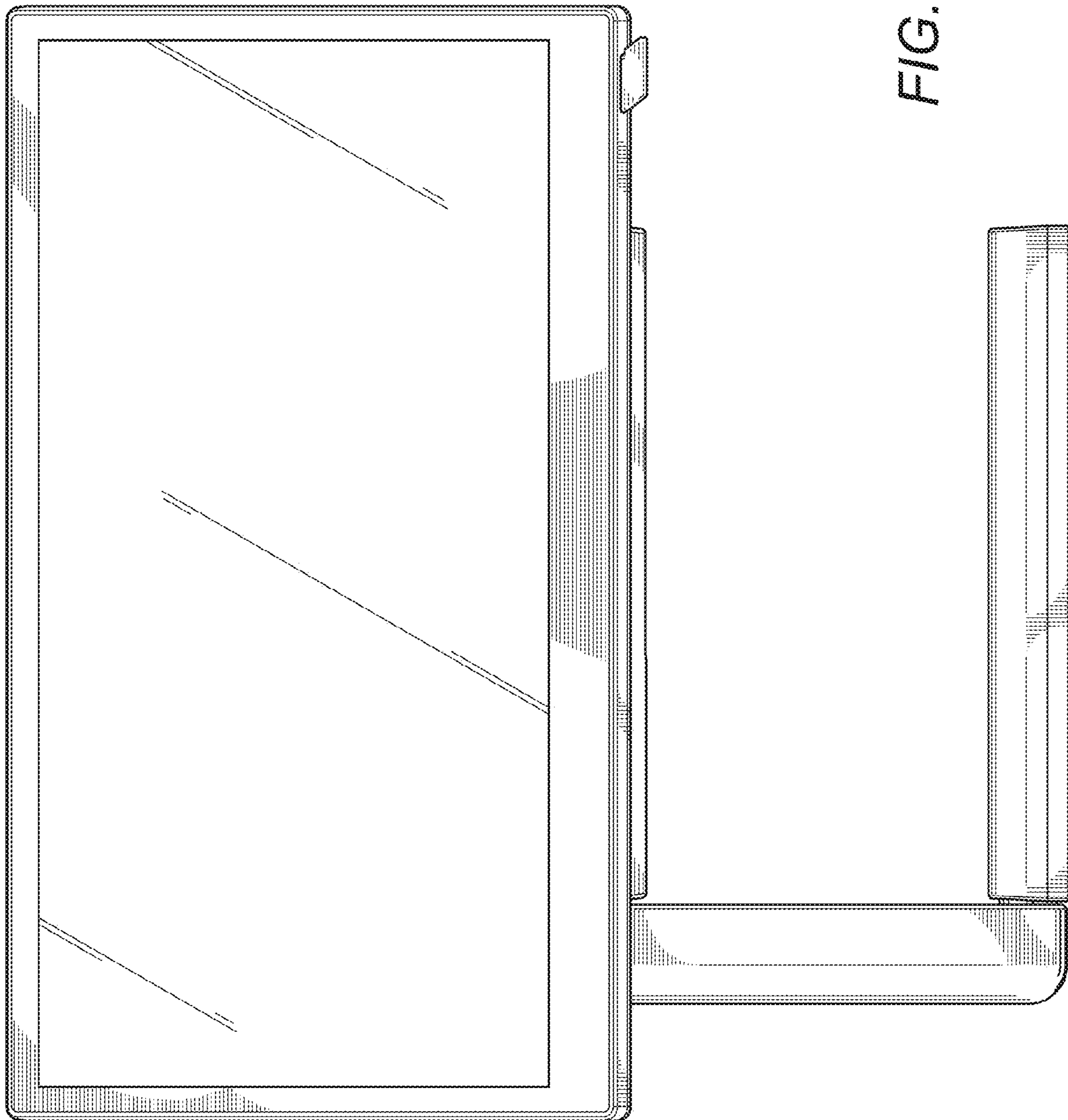


FIG. 11

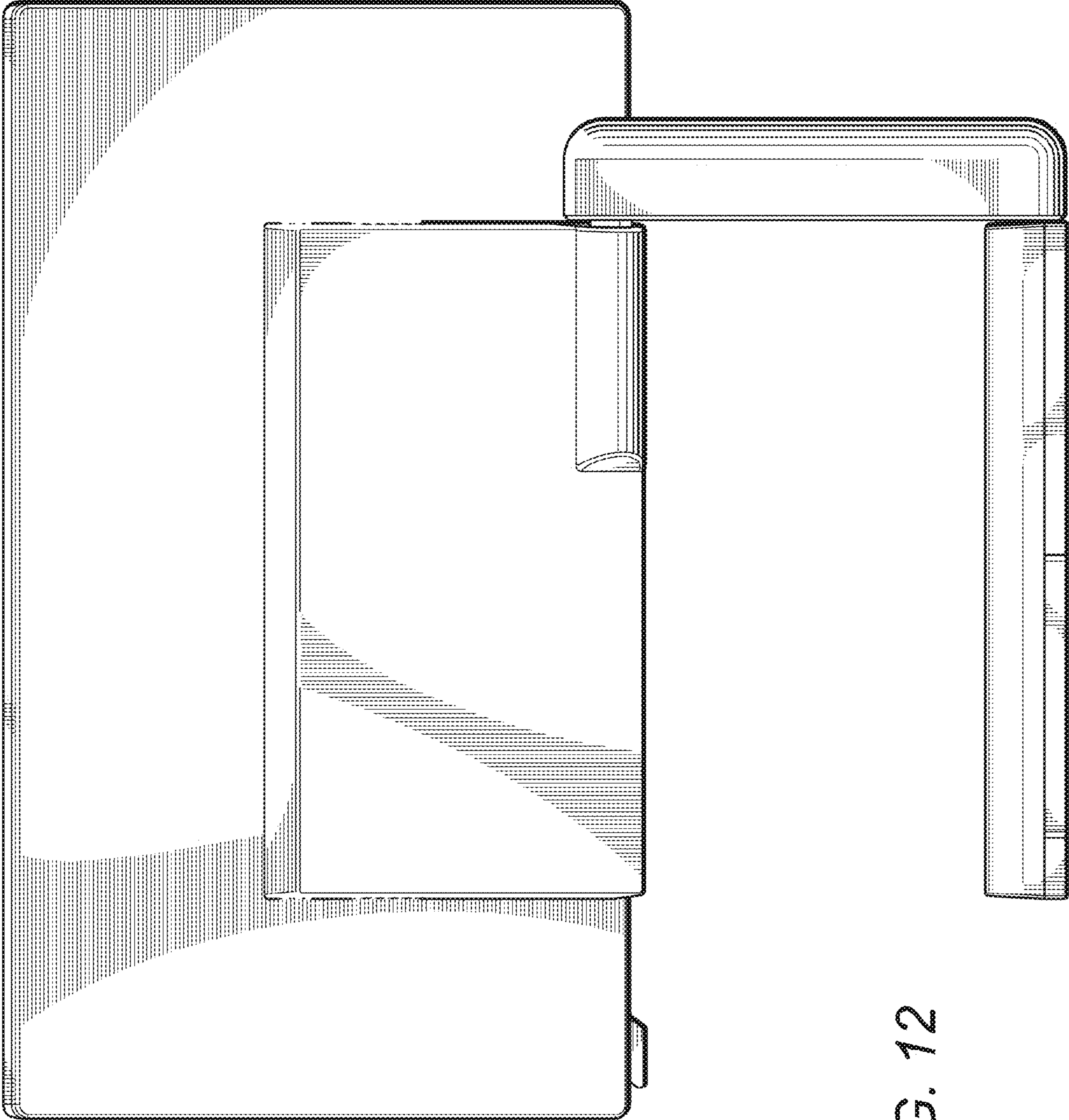


FIG. 12

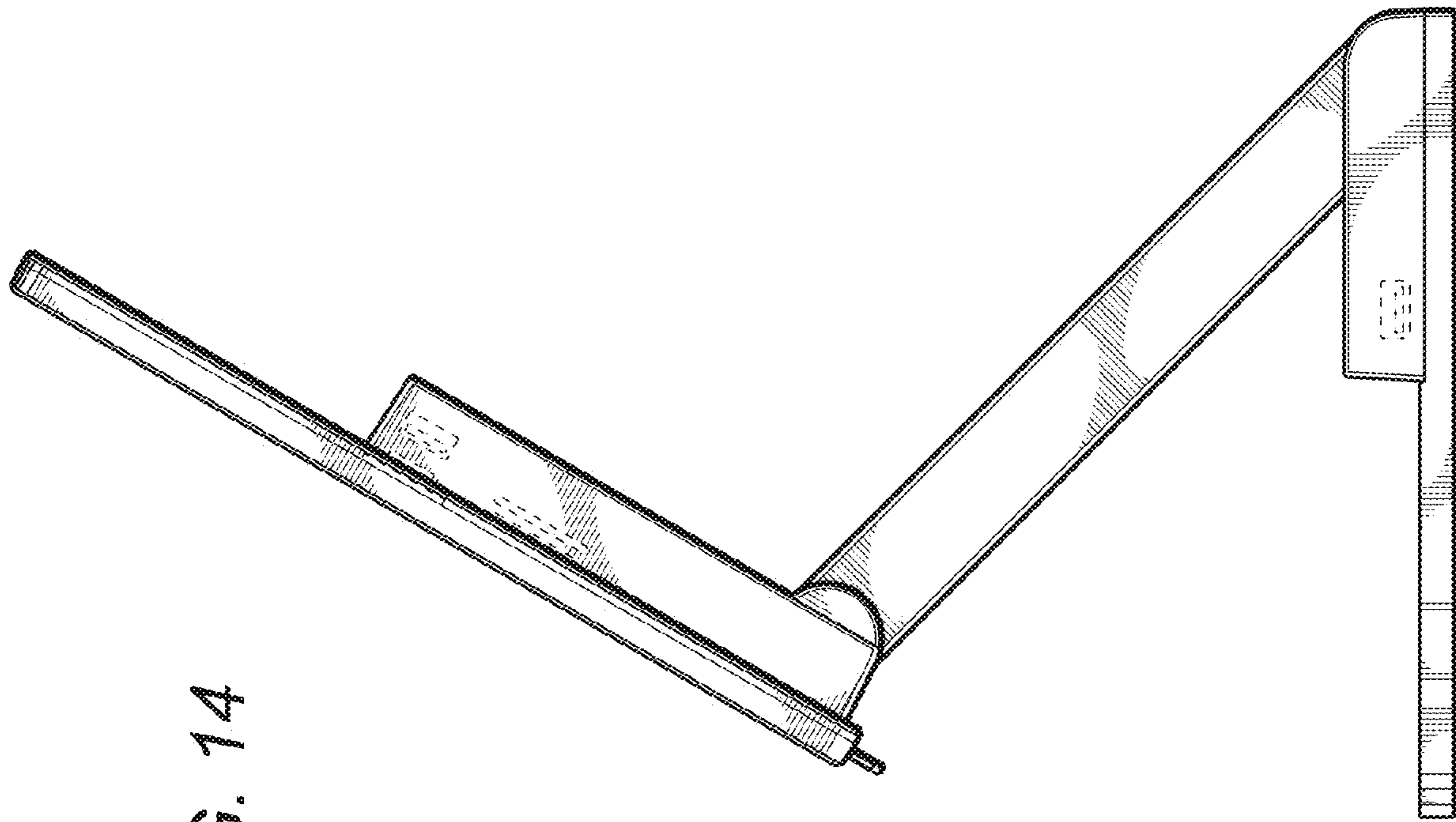


FIG. 14

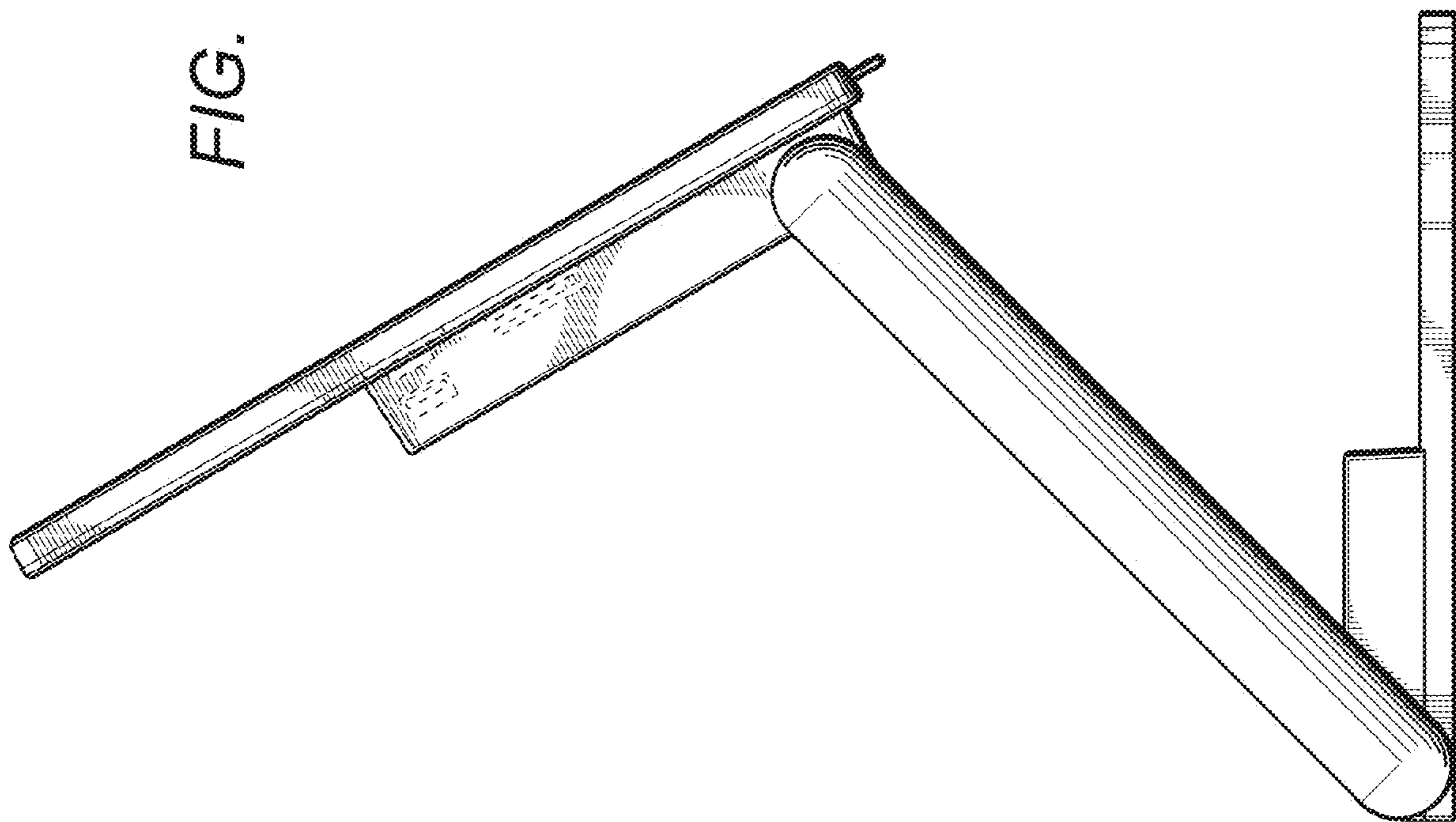


FIG. 13

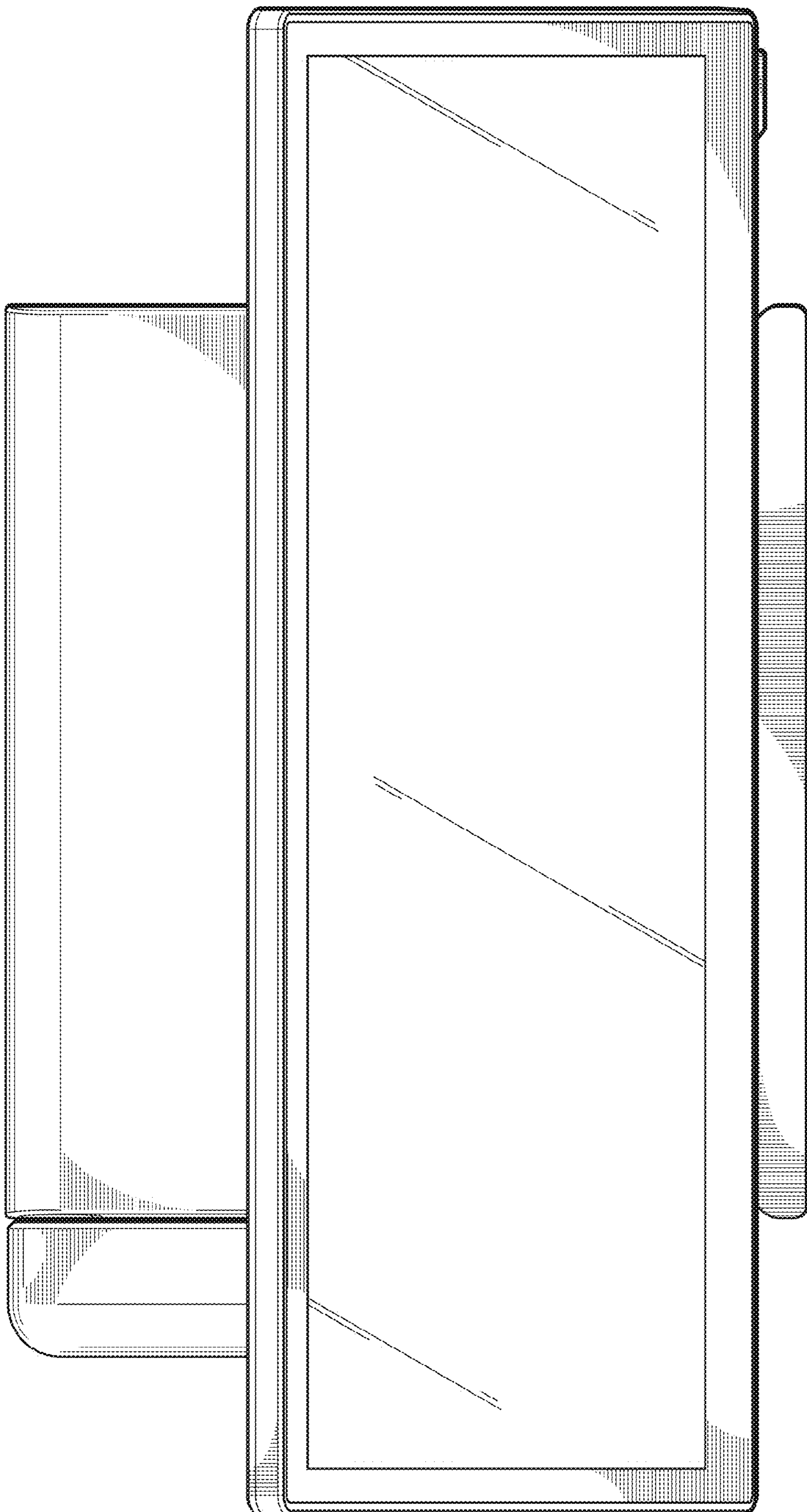


FIG. 15

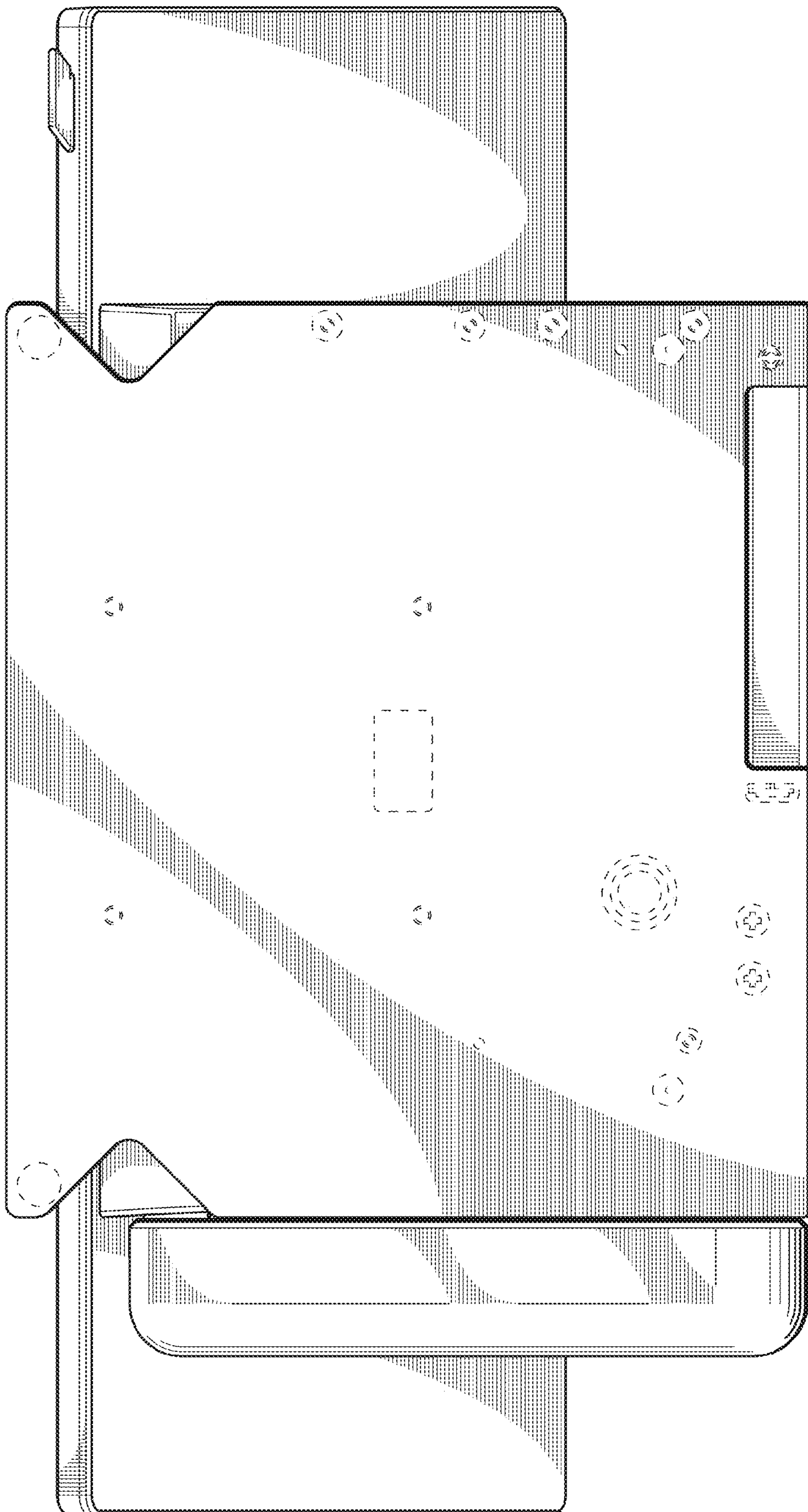


FIG. 16