



US00D933119S

(12) **United States Design Patent** (10) **Patent No.:** **US D933,119 S**
Wilson et al. (45) **Date of Patent:** **** Oct. 12, 2021**

(54) **LENS STACK**

(71) Applicant: **Racing Optics, Inc.**, Las Vegas, NV (US)
(72) Inventors: **Bart E. Wilson**, Las Vegas, NV (US); **Stephen S. Wilson**, Las Vegas, NV (US); **Maxwell C. Klein**, Las Vegas, NV (US)
(73) Assignee: **Racing Optics, Inc.**, Las Vegas, NV (US)
(**) Term: **15 Years**

(21) Appl. No.: **29/683,091**

(22) Filed: **Mar. 11, 2019**

Related U.S. Application Data

(62) Division of application No. 29/567,261, filed on Jun. 17, 2016, now Pat. No. Des. 843,437.

(51) **LOC (13) Cl.** **16-06**

(52) **U.S. Cl.**
USPC **D16/312**

(58) **Field of Classification Search**
USPC D16/101, 300-342, 900; D29/109-110; D21/483, 659-661; 351/41, 44, 45-48,
(Continued)

(56) **References Cited**

U.S. PATENT DOCUMENTS

3,952,331 A * 4/1976 Melville A61F 9/026
2/431
4,076,373 A * 2/1978 Moretti A61F 9/025
359/507

(Continued)

FOREIGN PATENT DOCUMENTS

KR 301092847.0000 * 1/2021
WO 2014093514 6/2014
WO 2017048797 3/2017

OTHER PUBLICATIONS

International Search Report and Written Opinion for Application No. PCT/US2016/051662, dated Nov. 15, 2016, 13 pages.

Primary Examiner — Sanjeev Paul
(74) *Attorney, Agent, or Firm* — Fitch, Even, Tabin & Flannery, LLP

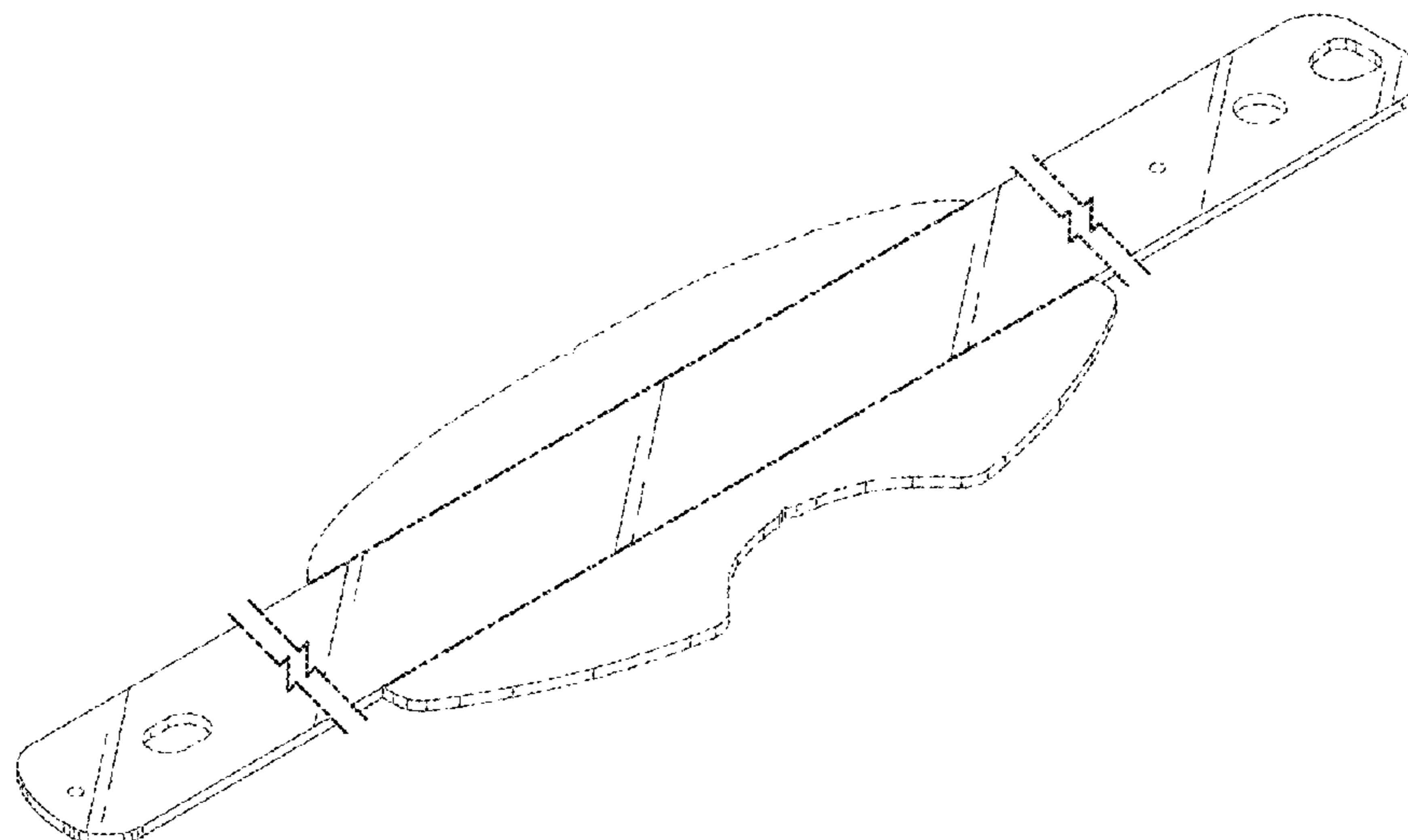
(57) **CLAIM**

We claim the ornamental design for a lens stack, as shown and described.

DESCRIPTION

FIG. 1 is a top perspective view of a first embodiment of our new design;
FIG. 2 is a top view thereof;
FIG. 3 is a bottom view and lacks shading thus indicating that the bottom surface is not claimed thereof;
FIG. 4 is a left side elevation view thereof;
FIG. 5 is a right side elevation view thereof;
FIG. 6 is a front elevation view thereof;
FIG. 7 is a rear elevation view thereof;
FIG. 8 is a top perspective view of a second embodiment of our new design;
FIG. 9 is a top view thereof;
FIG. 10 is a bottom view and lacks shading thus indicating that the bottom surface is not claimed thereof;
FIG. 11 is a left side elevation view thereof;
FIG. 12 is a right side elevation view thereof;
FIG. 13 is a front elevation view thereof; and,
FIG. 14 is a rear elevation view thereof.
Portions of the lens stack are shown in broken lines to illustrate unclaimed subject matter that forms no part of the claimed design.
The distal tabs are shown with symbolic breaks in its length. The appearance of any portion of the article between the break lines form no part of the claimed design.
The dot-dot dash broken lines represent bounds of the claim and form no part of the claimed design.

1 Claim, 8 Drawing Sheets



US D933,119 S

(58) **Field of Classification Search**
 USPC 351/51-52, 62, 158, 92, 103-123,
 351/140-153, 63, 59
 CPC G02C 2200/08; G02C 1/06; G02C 5/14;
 G02C 11/02; G02C 11/04; G02C 5/16;
 G02C 2200/22; G02C 5/146; G02C
 5/2254; G02C 5/008; G01C 5/16; A61M
 2021/0044; A63B 33/002
 See application file for complete search history.

7,184,217 B2 2/2007 Wilson
 7,200,875 B2 * 4/2007 Dondero A61B 5/002
 2/436
 D596,220 S * 7/2009 Decent D16/301
 8,261,375 B1 * 9/2012 Reaux A41D 13/1184
 2/424
 8,693,102 B2 4/2014 Wilson
 8,974,620 B2 3/2015 Wilson
 9,104,256 B2 8/2015 Wilson
 9,128,545 B2 9/2015 Wilson
 9,274,625 B2 * 3/2016 Wilson G06F 3/041
 9,295,297 B2 * 3/2016 Wilson A42B 3/26
 D768,748 S * 10/2016 Yoo D16/101
 D792,498 S * 7/2017 Ohta D16/330
 D792,920 S * 7/2017 Ohta D16/330
 D843,437 S * 3/2019 Wilson A61F 9/025
 D16/312

(56) **References Cited**

U.S. PATENT DOCUMENTS

4,138,746 A * 2/1979 Bergmann A42B 3/26
 2/10
 D280,994 S * 10/1985 Abate D16/314
 4,716,601 A * 1/1988 McNeal A61F 9/025
 2/434
 D319,449 S * 8/1991 Millar D16/312
 5,420,649 A * 5/1995 Lewis B63C 11/12
 2/430
 5,592,698 A * 1/1997 Woods A42B 3/26
 2/424
 5,671,483 A * 9/1997 Reuber A42B 3/245
 2/424
 5,685,022 A * 11/1997 Essman A61F 9/025
 2/434
 5,740,560 A * 4/1998 Muoio A61F 9/022
 2/13
 5,809,580 A * 9/1998 Arnette A61F 9/027
 2/426
 5,940,892 A * 8/1999 Morgan A61F 9/027
 2/428
 6,085,358 A * 7/2000 Cogan A42B 3/26
 2/424
 6,308,711 B1 * 10/2001 Goldberg A61F 9/02
 128/858
 6,388,813 B1 * 5/2002 Wilson A42B 3/26
 359/630
 6,536,045 B1 3/2003 Wilson
 6,847,492 B2 1/2005 Wilson
 6,870,686 B2 * 3/2005 Wilson A42B 3/26
 359/642

D846,617 S * 4/2019 Doyle D16/101
 D893,834 S * 8/2020 Wills D2/891
 D893,835 S * 8/2020 Wills D2/891
 2002/0109922 A1 * 8/2002 Wilson G02B 1/18
 359/630
 2005/0060781 A1 * 3/2005 Landers G02C 7/16
 2/15
 2009/0119823 A1 * 5/2009 Lee B63C 11/12
 2/426
 2011/0219508 A1 * 9/2011 Hill A42B 1/247
 2/10
 2012/0137398 A1 * 6/2012 Arnold A61F 9/025
 2/10
 2014/0220283 A1 8/2014 Wilson
 2014/0247489 A1 9/2014 Wilson
 2014/0352041 A1 * 12/2014 O'Neal, Jr. A42B 3/26
 2/424
 2015/0013891 A1 * 1/2015 Wilson G06F 3/0412
 156/250
 2015/0177863 A1 6/2015 Wilson
 2015/0309609 A1 10/2015 Wilson
 2016/0062138 A1 * 3/2016 Coty G02C 5/001
 351/159.75
 2016/0062149 A1 * 3/2016 Gerton G02C 7/104
 351/43
 2016/0166435 A1 6/2016 Wilson
 2016/0242963 A1 8/2016 Wilson

* cited by examiner

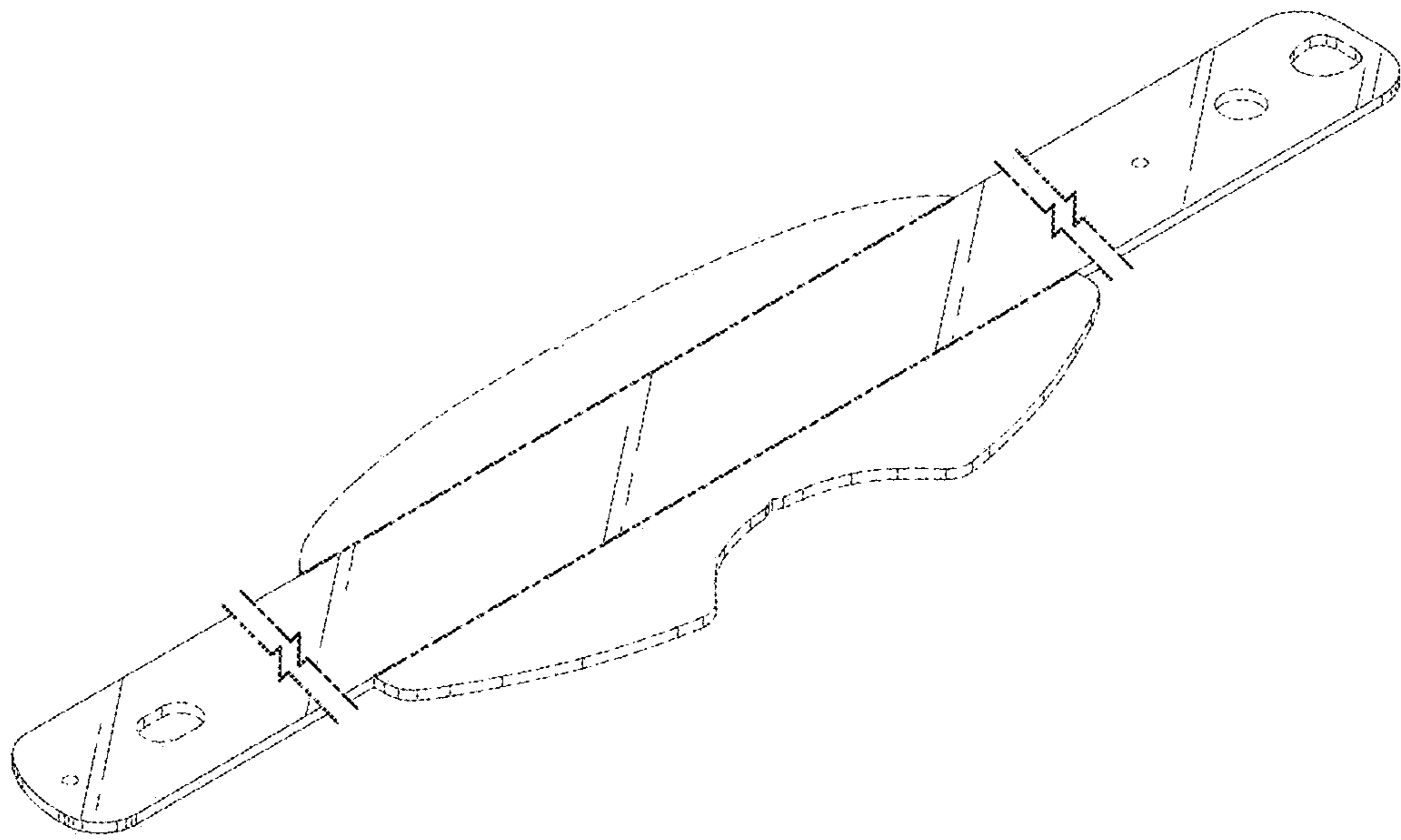


FIG. 1

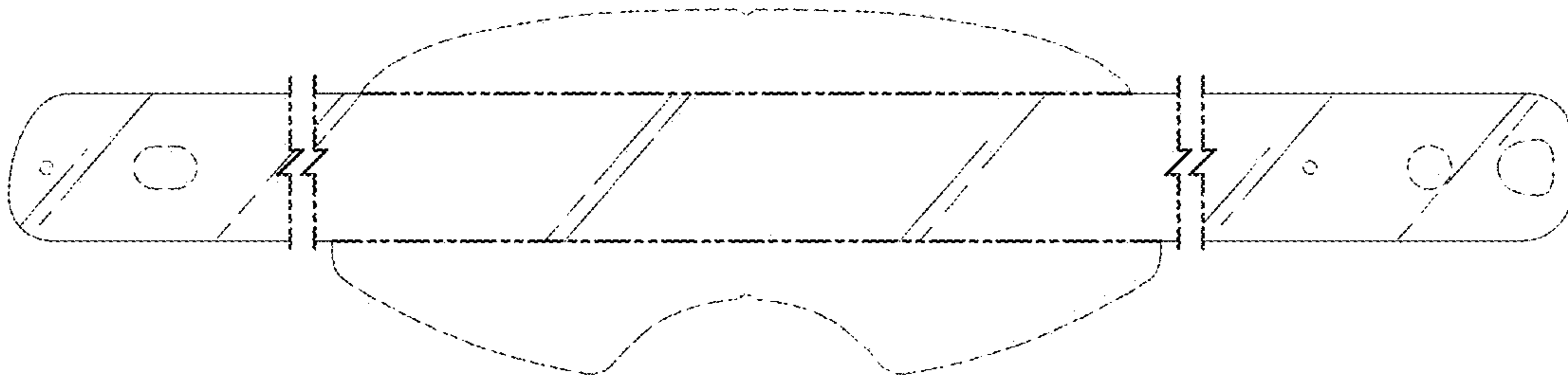


FIG. 2

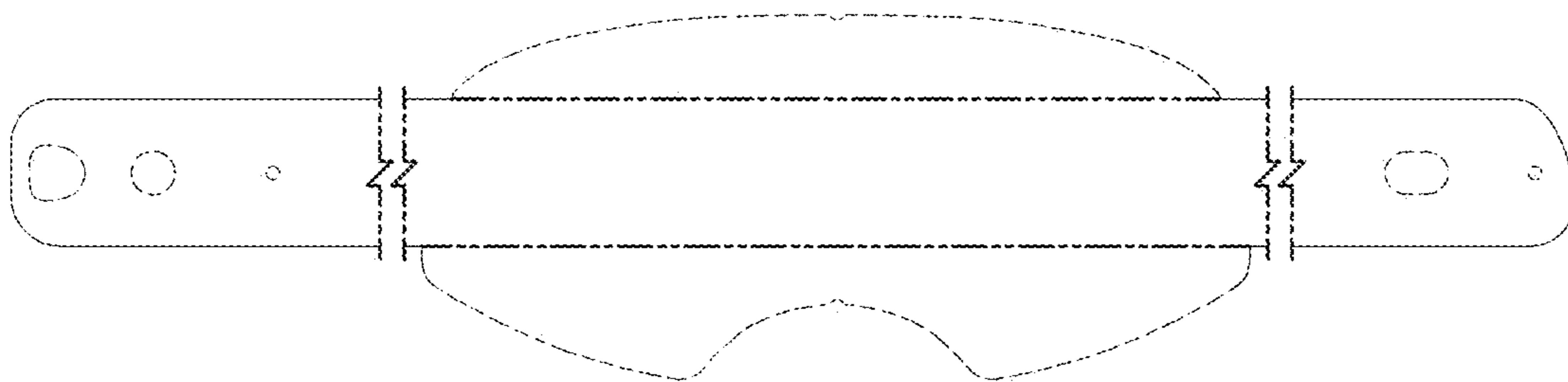


FIG. 3

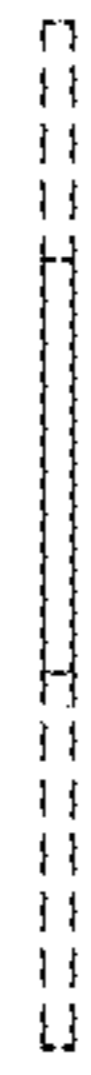


FIG. 4

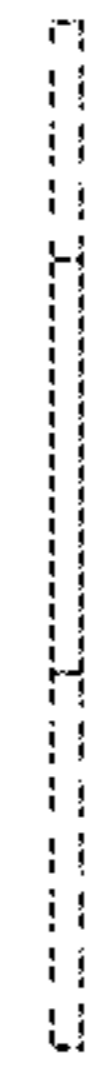


FIG. 5

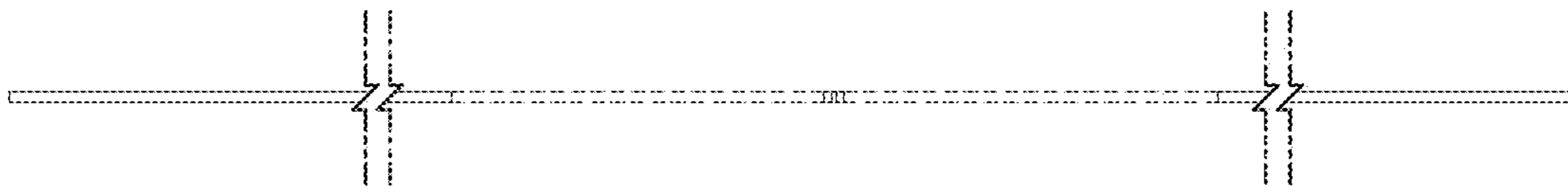


FIG. 6

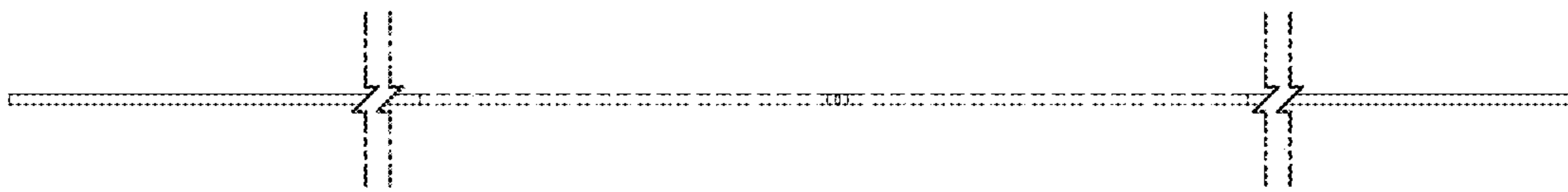


FIG. 7

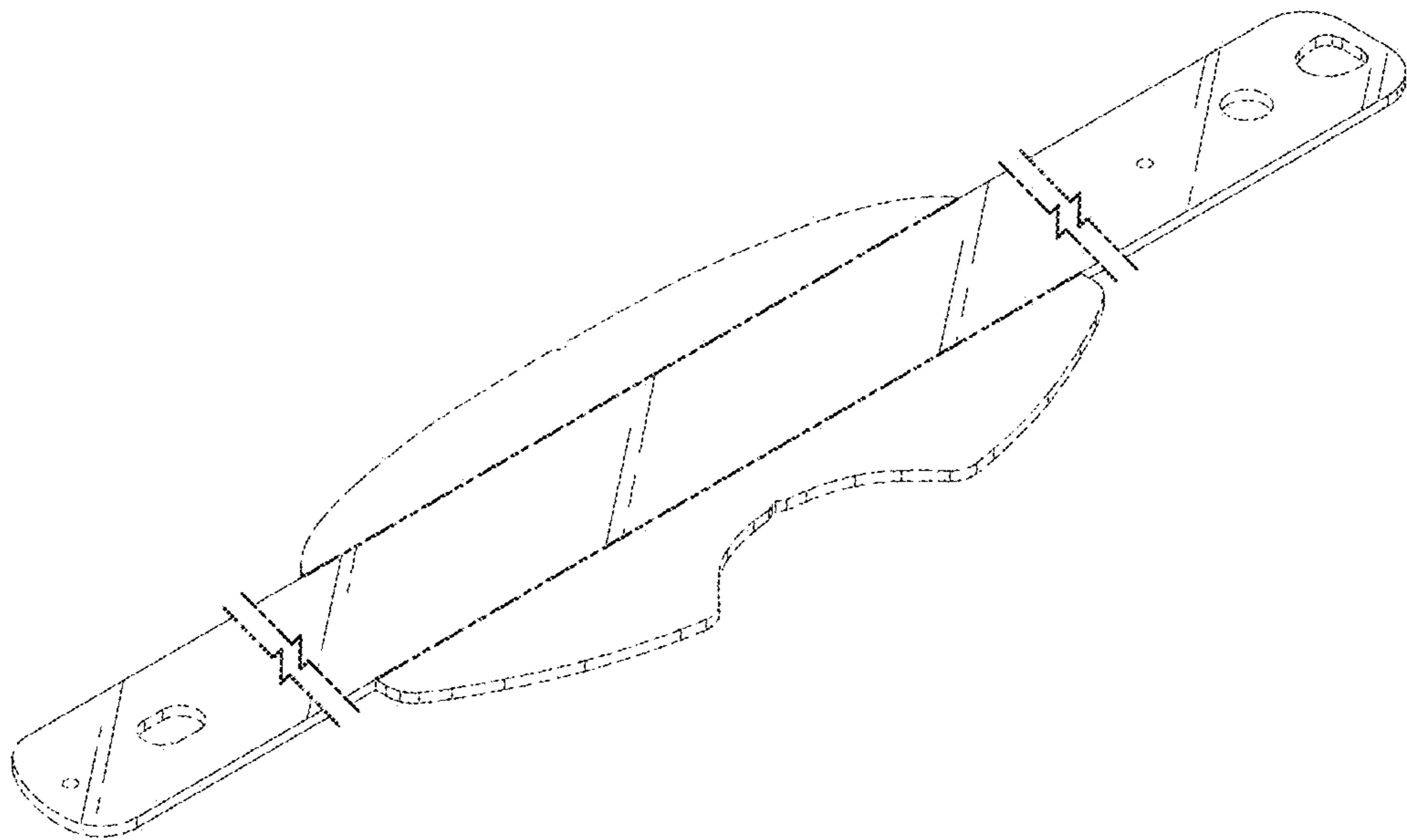


FIG. 8

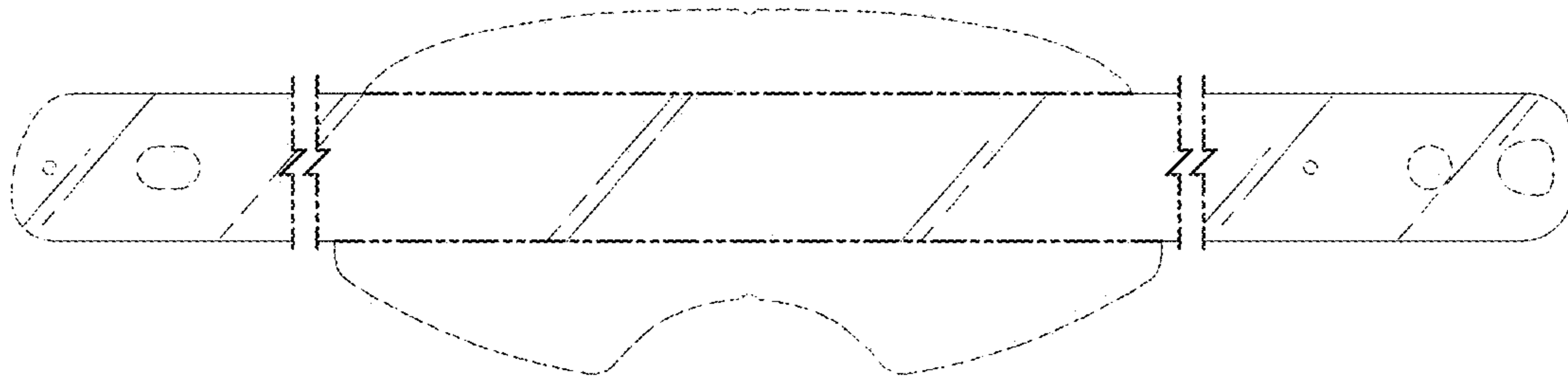


FIG. 9

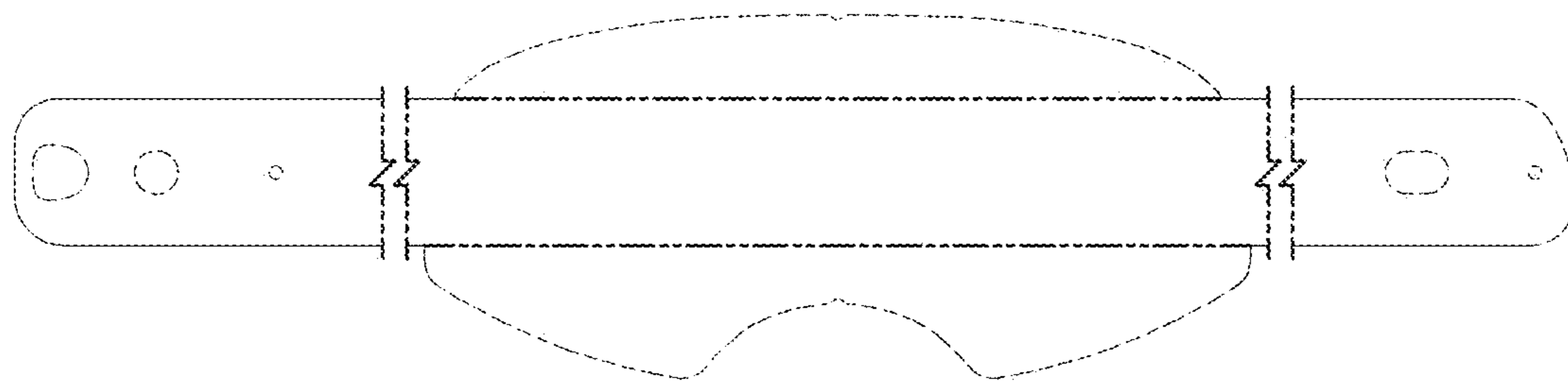


FIG. 10

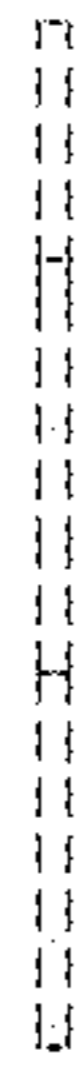


FIG. 11

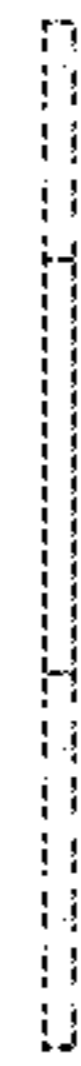


FIG. 12

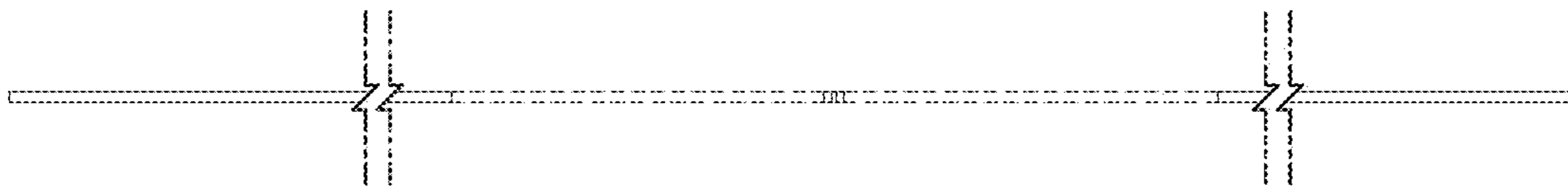


FIG. 13

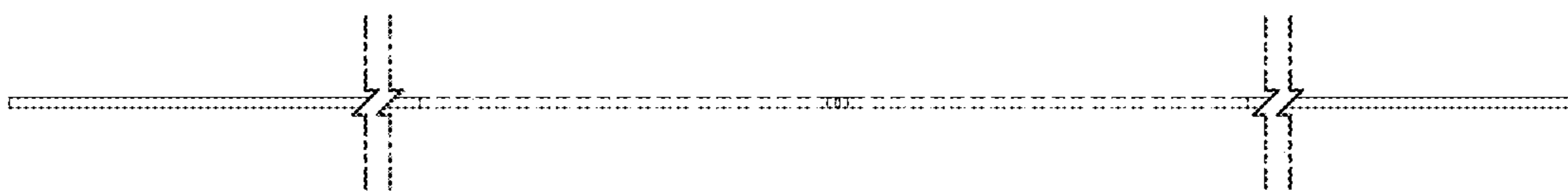


FIG. 14