



US00D933118S

(12) **United States Design Patent** (10) **Patent No.:** **US D933,118 S**
Burns et al. (45) **Date of Patent:** **** Oct. 12, 2021**

(54) **CAMERA MOUNT**
(71) Applicant: **Amazon Technologies, Inc.**, Seattle, WA (US)
(72) Inventors: **Thomas Burns**, Boston, MA (US); **Jonathan Howard Biddle**, San Francisco, CA (US); **Michael O'Connor**, Charlestown, MA (US)
(73) Assignee: **Amazon Technologies, Inc.**, Seattle, WA (US)
(**) Term: **15 Years**
(21) Appl. No.: **29/722,139**
(22) Filed: **Jan. 27, 2020**
(51) **LOC (13) Cl.** **16-05**
(52) **U.S. Cl.**
USPC **D16/242**
(58) **Field of Classification Search**
USPC D16/219, 237-250; D8/303, 307, 354, D8/355, 363, 373, 382-383, 394-396; D14/224, 229, 238, 251, 253, 447, 451, D14/457
CPC A45F 5/00; A45F 5/10; F16M 11/06-10; F16M 11/14; G02B 7/00-002; G03B 17/56; G03B 17/561-566; H04N 5/2253-2254
See application file for complete search history.

D694,306 S * 11/2013 Katori D16/203
D695,725 S * 12/2013 Taeger D14/230
9,169,963 B1 * 10/2015 Chen F16M 11/06
D744,986 S * 12/2015 Huerta D14/230
D757,835 S * 5/2016 Tabuchi D16/203
D772,163 S * 11/2016 Kambayashi H01M 50/636
D13/119
D784,438 S * 4/2017 Rondinelli D16/242
D817,125 S * 5/2018 Gurwicz D8/14
D873,897 S * 1/2020 Wengreen D16/242

OTHER PUBLICATIONS

Blink Mini—Compact indoor plug-in smart security camera, 1080 HD video, night vision, motion detection, two-way audio, Works with Alexa—1 camera, [online] Retrieved Jun. 16, 21 from URL: <https://www.amazon.com/Blink-Mini-plug-security-detection/dp/B07X6C9RMF>.*

* cited by examiner

Primary Examiner — Vy N Koenig
(74) *Attorney, Agent, or Firm* — Lee & Hayes, P.C.

(57) **CLAIM**

The ornamental design for a camera mount, as shown and described.

DESCRIPTION

FIG. 1 is a top, front perspective view of a camera mount; FIG. 2 is a bottom, back perspective view thereof; FIG. 3 is a front view thereof; FIG. 4 is a back view thereof; FIG. 5 is a left-side view thereof; FIG. 6 is a right-side view thereof; FIG. 7 is a top view thereof; and, FIG. 8 is a bottom view thereof.

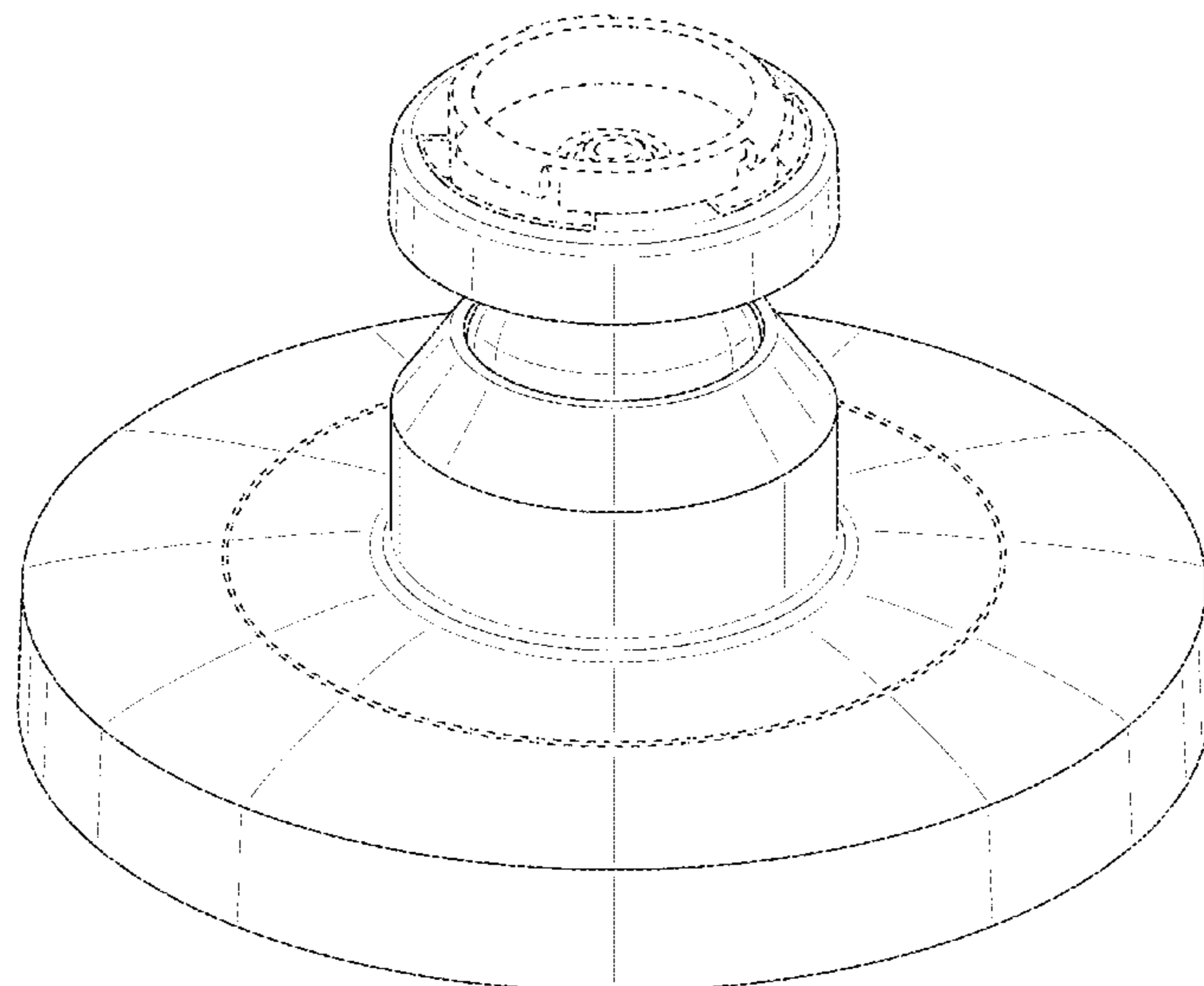
The dashed broken lines depict portions of the camera mount that form no part of the claimed design. The dot-dashed broken lines represent boundaries of the claimed camera mount and form no part of the claimed design.

1 Claim, 8 Drawing Sheets

(56) **References Cited**

U.S. PATENT DOCUMENTS

5,734,356 A * 3/1998 Chang H01Q 1/125
343/760
D512,372 S * 12/2005 Sakai D13/108
D557,260 S * 12/2007 Westerling D14/230
D610,577 S * 2/2010 Jenkins D14/238
D659,177 S * 5/2012 Chan D16/242
D666,662 S * 9/2012 Runnals D16/242
D694,305 S * 11/2013 Katori D16/203



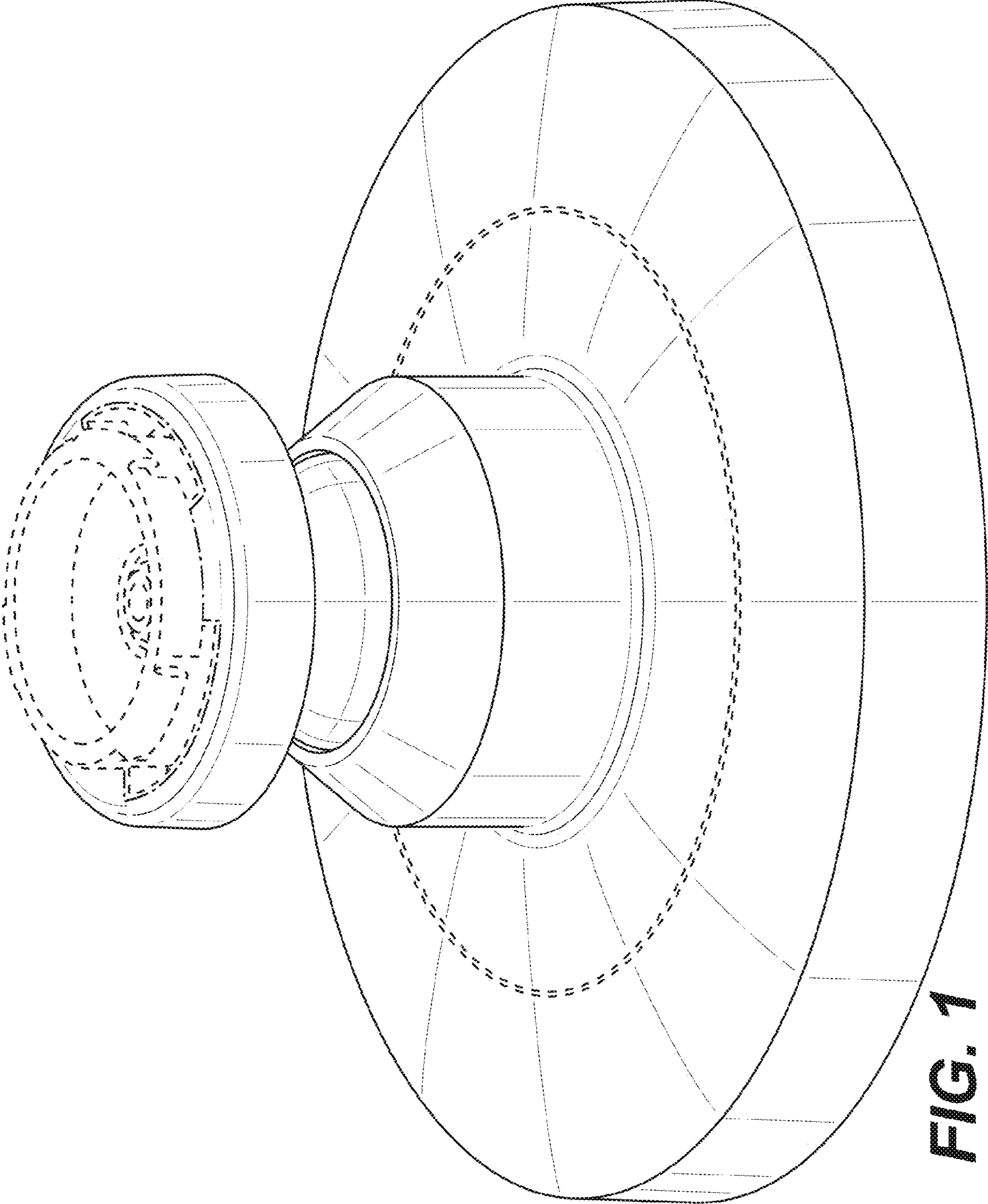


FIG. 1

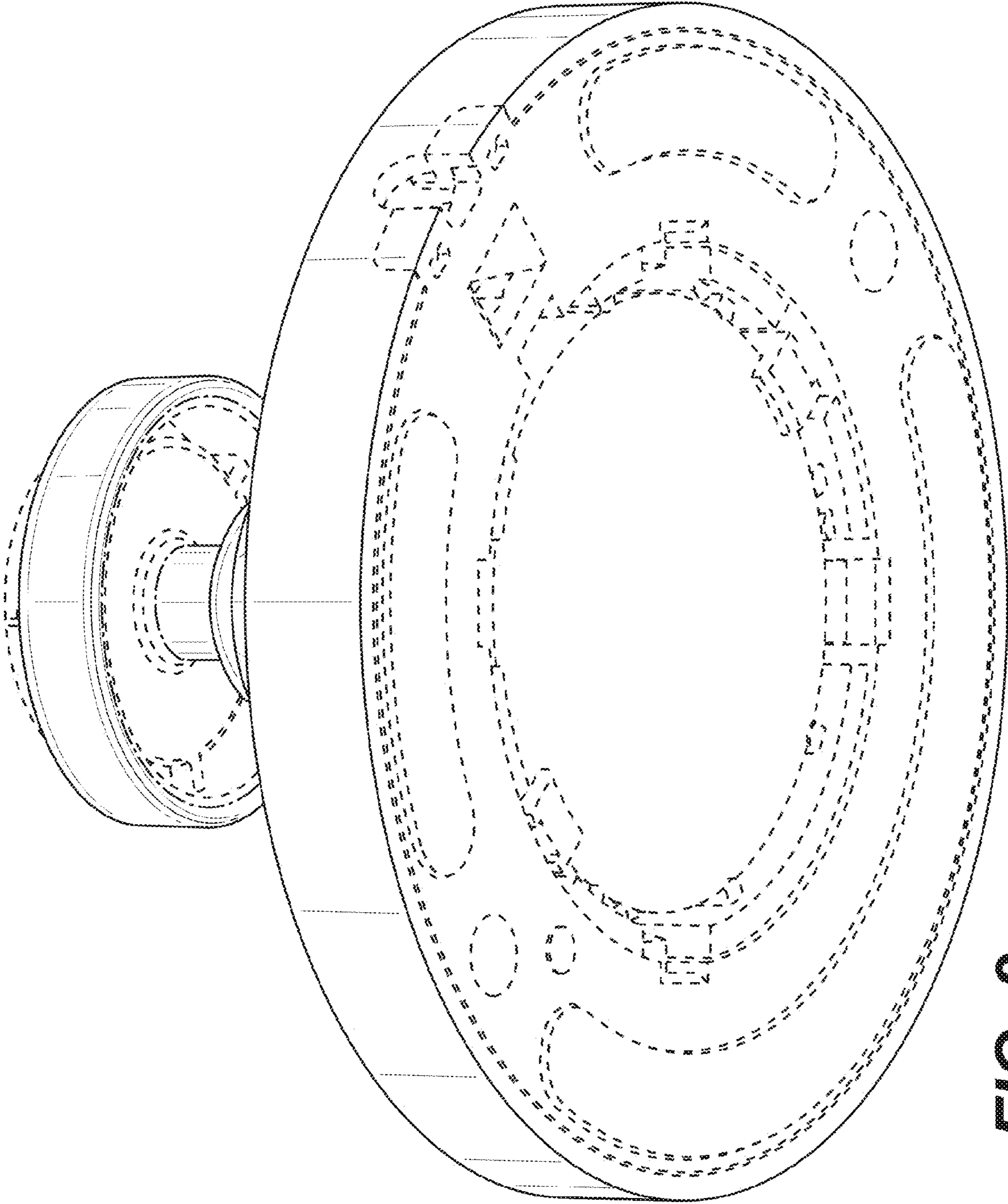


FIG. 2

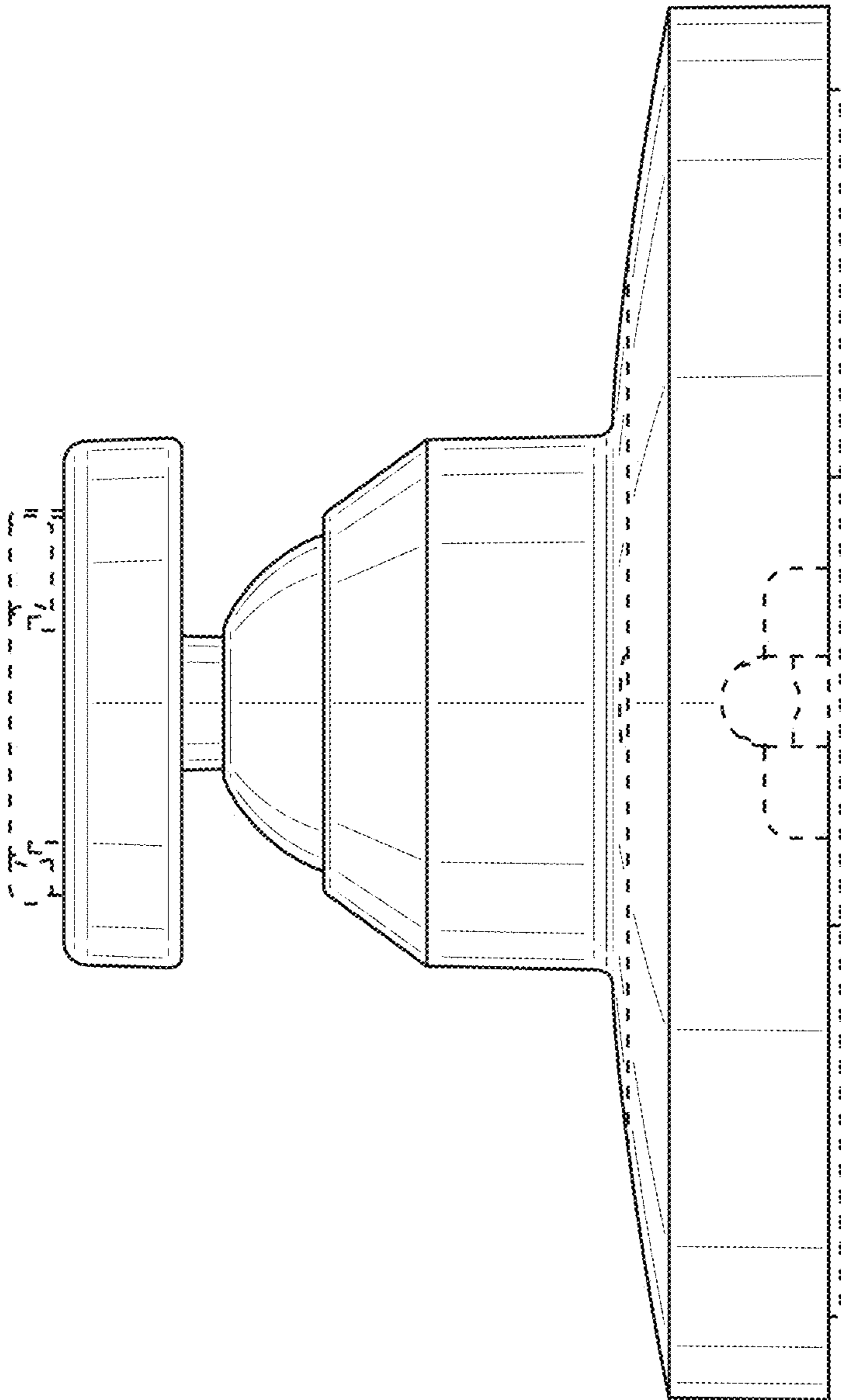


FIG. 3

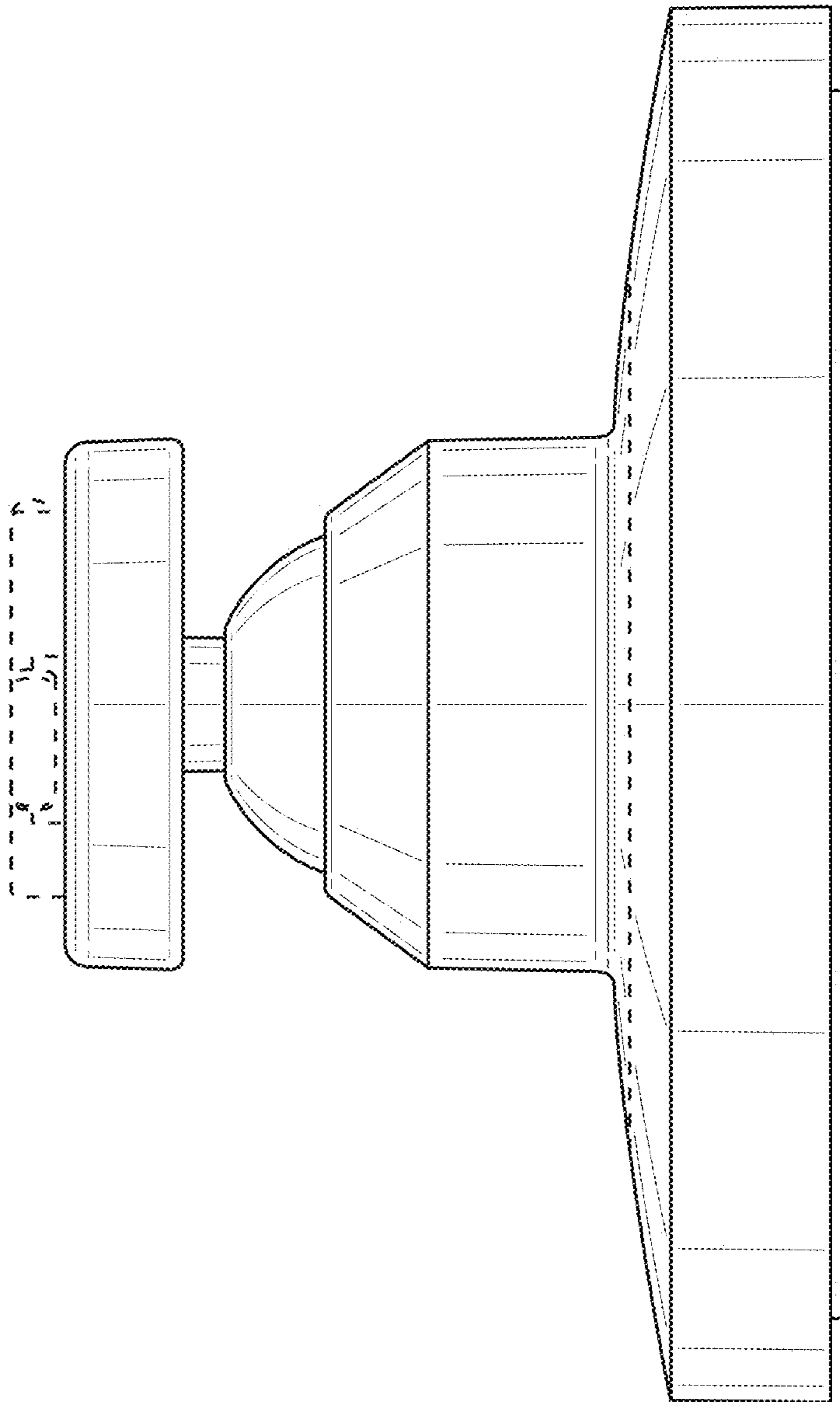


FIG. 4

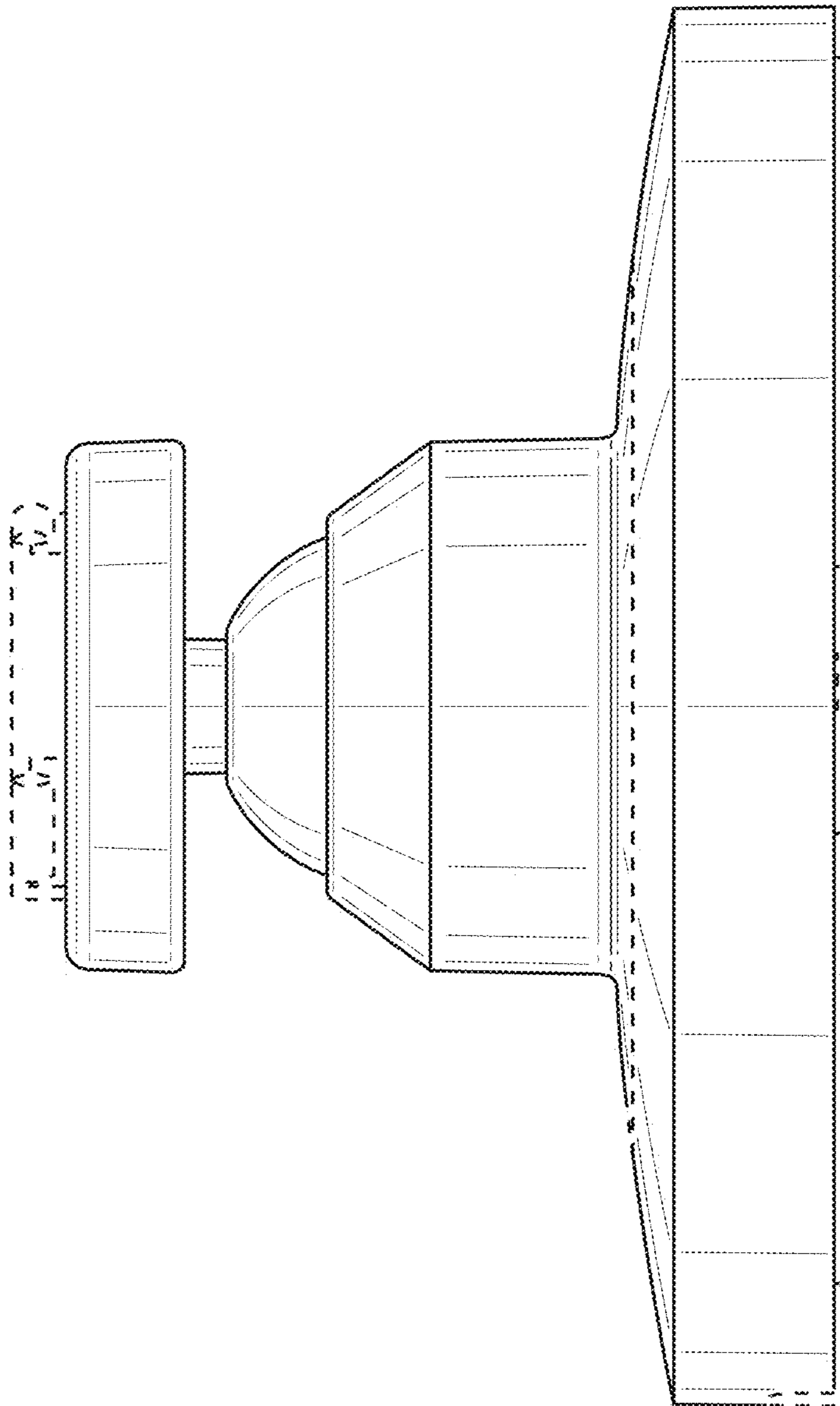


FIG. 5

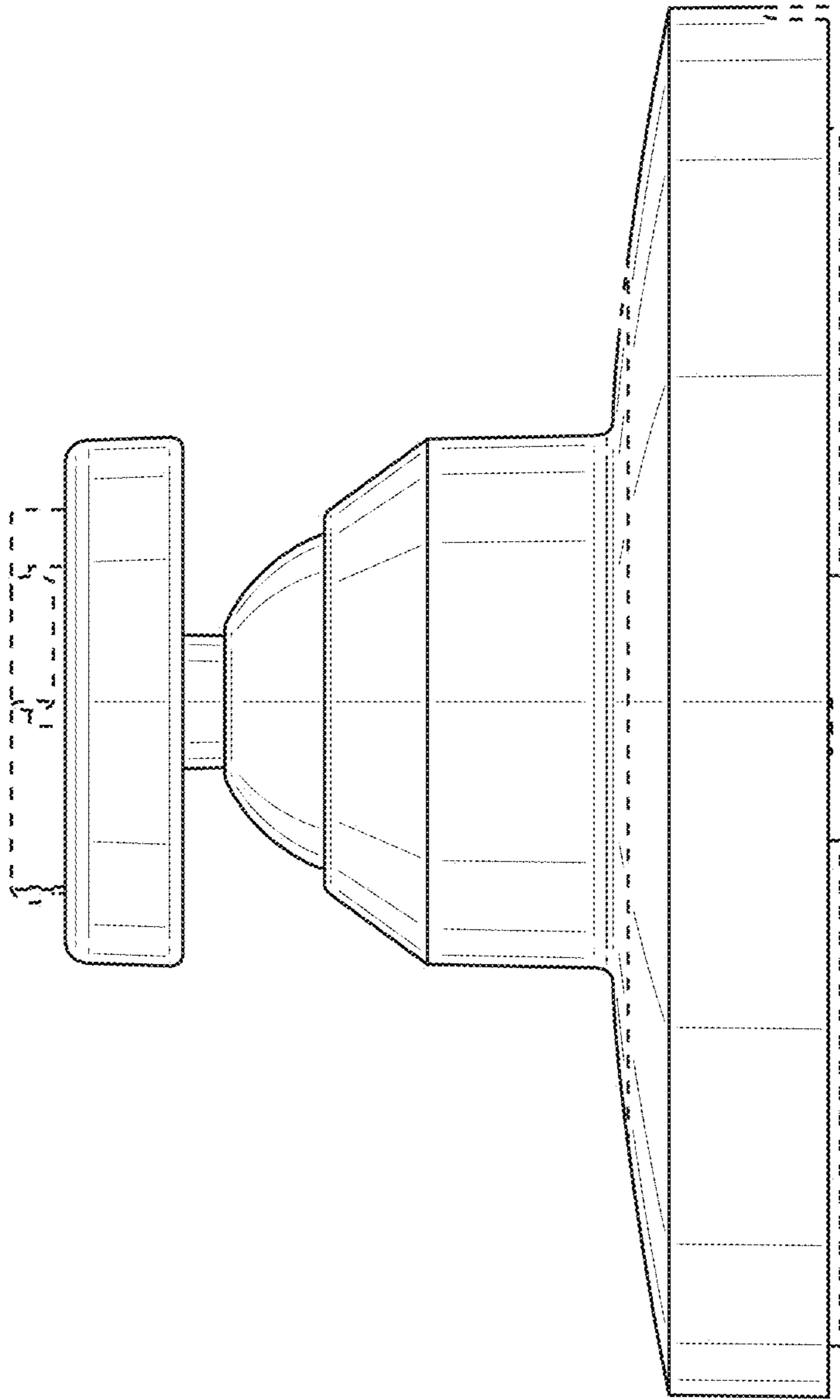


FIG. 6

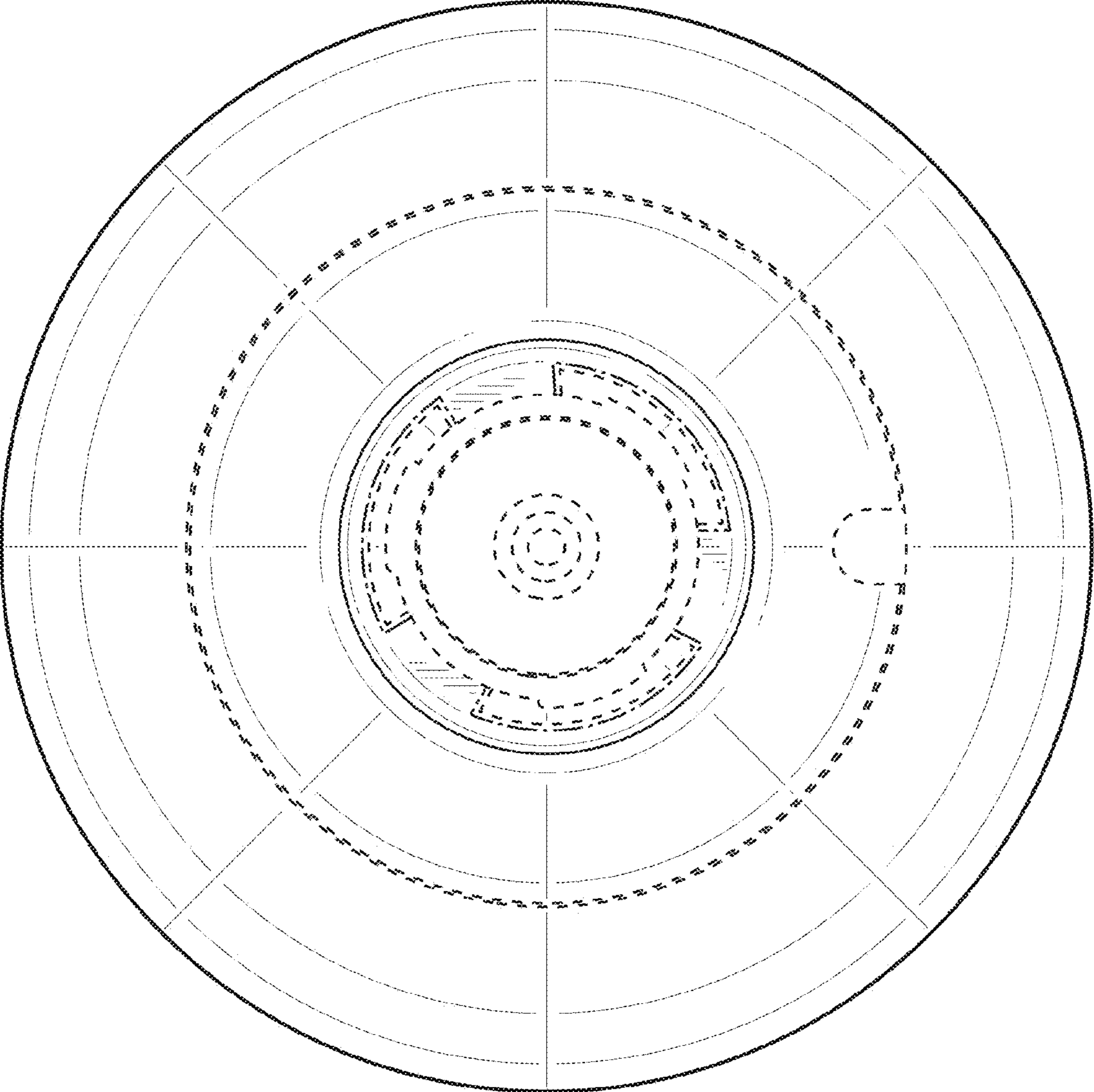


FIG. 7

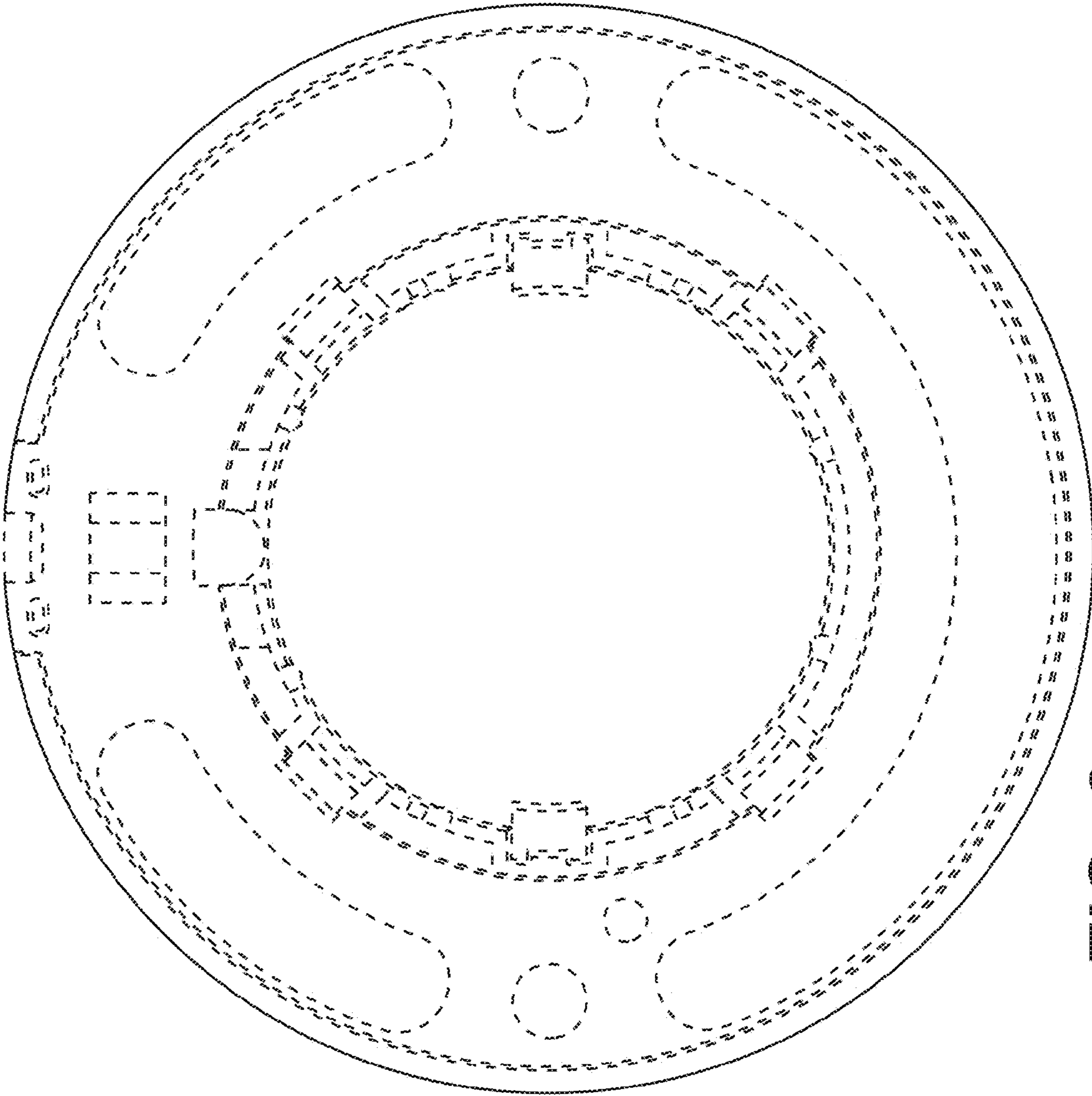


FIG. 8