



US00D933115S

(12) **United States Design Patent**
Druker et al.

(10) **Patent No.:** **US D933,115 S**
(45) **Date of Patent:** **** Oct. 12, 2021**

(54) **CAMERA HOUSING**

(71) Applicant: **GoPro, Inc.**, San Mateo, CA (US)

(72) Inventors: **Joshua T. Druker**, Redwood City, CA (US); **Matthew David Thomas**, Castro Valley, CA (US); **Huy Phuong Nguyen**, San Mateo, CA (US); **Bessy Liang**, San Jose, CA (US); **Daniel J. Coster**, San Francisco, CA (US)

(73) Assignee: **GoPro, Inc.**, San Mateo, CA (US)

(**) Term: **15 Years**

(21) Appl. No.: **29/772,002**

(22) Filed: **Feb. 26, 2021**

Related U.S. Application Data

(62) Division of application No. 29/707,664, filed on Sep. 30, 2019, now Pat. No. Des. 912,120.

(51) **LOC (13) Cl.** **16-05**

(52) **U.S. Cl.**
USPC **D16/219**

(58) **Field of Classification Search**
USPC D16/200, 202-208, 218, 219, 242;
348/164, 373-376; 396/448, 535,
396/539-541
CPC G03B 17/02; G03B 19/04; G03B 17/56;
G03B 17/04; G03B 15/03; H04N 5/2251;
H04N 5/2252; H04N 5/2253; H04N
5/2254; H04N 7/181; H04N 7/183; H04N
7/18; G08B 13/1963; G08B 13/19619;
G08B 13/19632; F16M 11/04; F16M
13/00

See application file for complete search history.

(56) **References Cited**

U.S. PATENT DOCUMENTS

679,881 A 8/1901 Bullard
D441,386 S 5/2001 Yamazaki

D492,953 S * 7/2004 Mitsuse D16/202
D499,131 S * 11/2004 Tanio D16/212
D504,904 S 5/2005 Nagai
D515,121 S 2/2006 Bleau

(Continued)

OTHER PUBLICATIONS

Silicon Sleeve Cases for the Frame of Your Gopro Hero 5 , retrieved from URL: <https://www.amazon.com/Silicone-Sleeve-Cases-Frame-Gopro/dp/B01NCQ3GOY>, retrieved Mar. 30, 2018 (6 pages).

(Continued)

Primary Examiner — Ramzi Almatrahi

(74) *Attorney, Agent, or Firm* — Young Basile Hanlon & MacFarlane, P.C.

(57) **CLAIM**

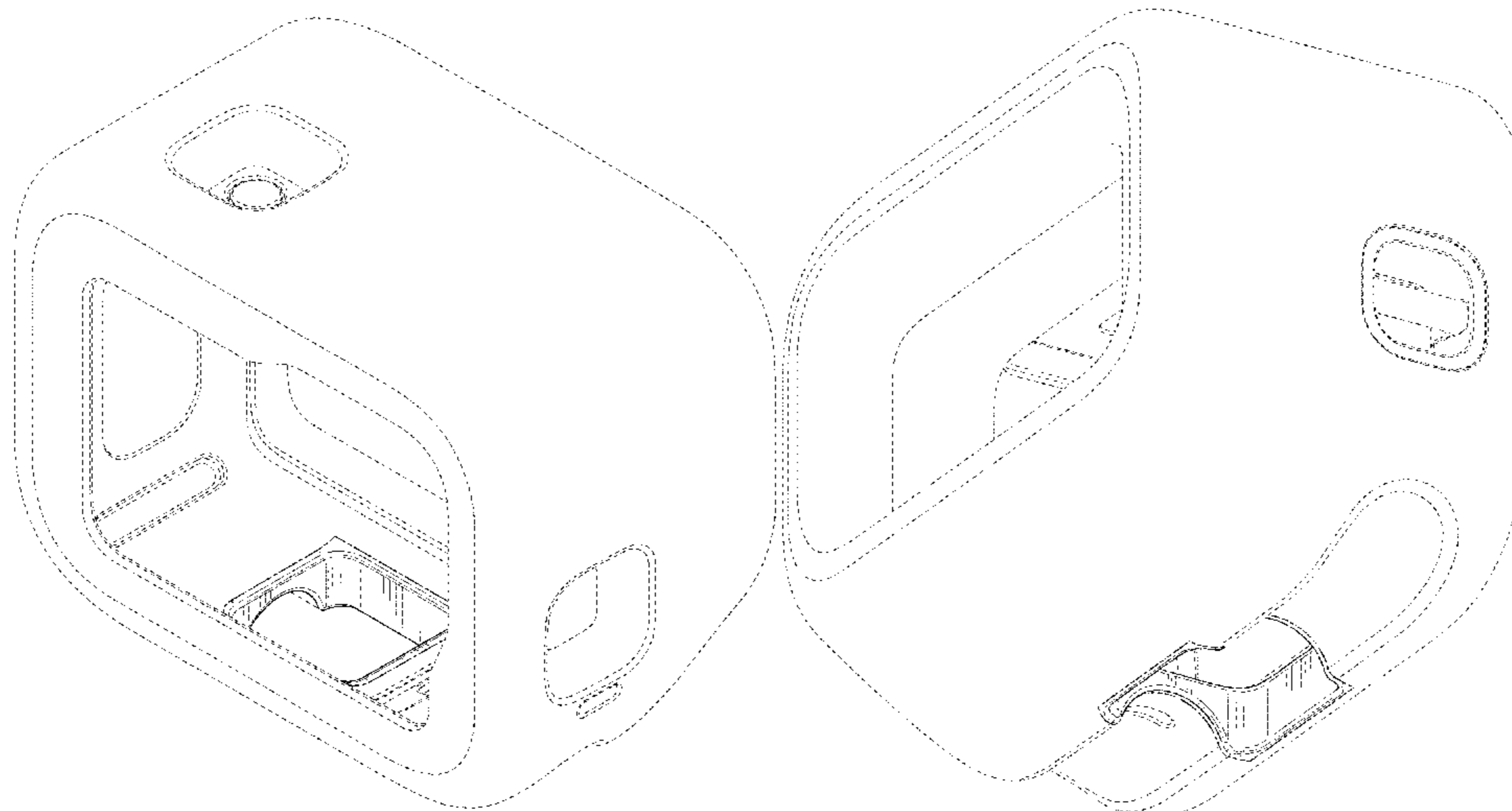
The ornamental design for a camera housing, as shown and described.

DESCRIPTION

FIG. 1 is a top, front, and right side perspective view of a camera housing showing our new design; FIG. 2 is a bottom, rear, and left side perspective view thereof; FIG. 3 is a front elevation view thereof; FIG. 4 is a rear elevation view thereof; FIG. 5 is a right side elevation view thereof; FIG. 6 is a left side elevation view thereof; FIG. 7 is a top plan view thereof; FIG. 8 is a bottom plan view thereof; and, FIG. 9 is a cross-sectional view thereof taken along line 9-9 in FIG. 7.

The broken lines depict portions of the camera housing in which the design is embodied that form no part of the claimed design. Additionally, the dash-dot lines denote the boundary of the claim and form no part of the claimed design.

1 Claim, 9 Drawing Sheets



(56)

References Cited

U.S. PATENT DOCUMENTS

D616,480 S 5/2010 Ookawa
 8,014,656 B2 9/2011 Woodman
 D647,554 S 10/2011 Yim
 D653,687 S 2/2012 Yu
 8,467,675 B2 6/2013 Chen
 8,544,643 B2 10/2013 Yim
 D699,277 S 2/2014 Samuels
 D710,922 S 8/2014 Gioscia
 D730,423 S 5/2015 Vandenbussche
 D739,451 S 9/2015 Gioscia
 D750,680 S 3/2016 Chen
 D759,141 S 6/2016 Bacon
 D760,309 S 6/2016 Parfitt
 D769,346 S 10/2016 Nguyen
 D773,546 S 12/2016 Nguyen
 D776,738 S 1/2017 Clearman
 D776,741 S 1/2017 Parfitt
 D777,239 S 1/2017 Costa
 D785,697 S * 5/2017 Costa D16/242
 D790,002 S 6/2017 Nguyen
 D800,815 S 10/2017 Clearman
 D806,775 S 1/2018 Nguyen

D816,751 S 5/2018 Harrison
 D846,620 S * 4/2019 Katori D16/219
 D849,084 S * 5/2019 Hu D16/202
 D861,761 S 10/2019 Bergman
 D880,567 S 4/2020 Zhang
 D880,569 S 4/2020 Zhang
 D890,835 S 7/2020 Nguyen
 D911,411 S * 2/2021 Coster D16/200
 D911,412 S * 2/2021 Alberstein D16/200

OTHER PUBLICATIONS

Silicon Sleeve for GoPro Her04 Housing—GCase, retrieved from URL: <https://www.gocase.com/products/silicon-sleeve-for-gopro-hero4-housing>, retrieved Mar. 30, 2018 (2 pages).
 Silicone Sleeve Cases for the Frame of your Gopro Hero 5 (1x Frame / 1x Camera Case, Blue + Black), URL: https://www.amazon.com/dp/B01MR00OPJ/ref=asc_df_B01MR00OPJ5357481/?tag=hyprod-20&creative=395033&creativeASIN=B01MR00OPJ&linkCode=df0&hvadid=167139098072&hvpos=1o1&hvnetw=g&hvrnd=8248390090609077295&hvpon=&hvptwo=&hvqmt=&hvdev=c&hvdvcmdl=&hvlocint=&hvlocphy=1014237&hvtargid=pla-332273337114, retrieved Mar. 30, 2018 (6 pages).

* cited by examiner

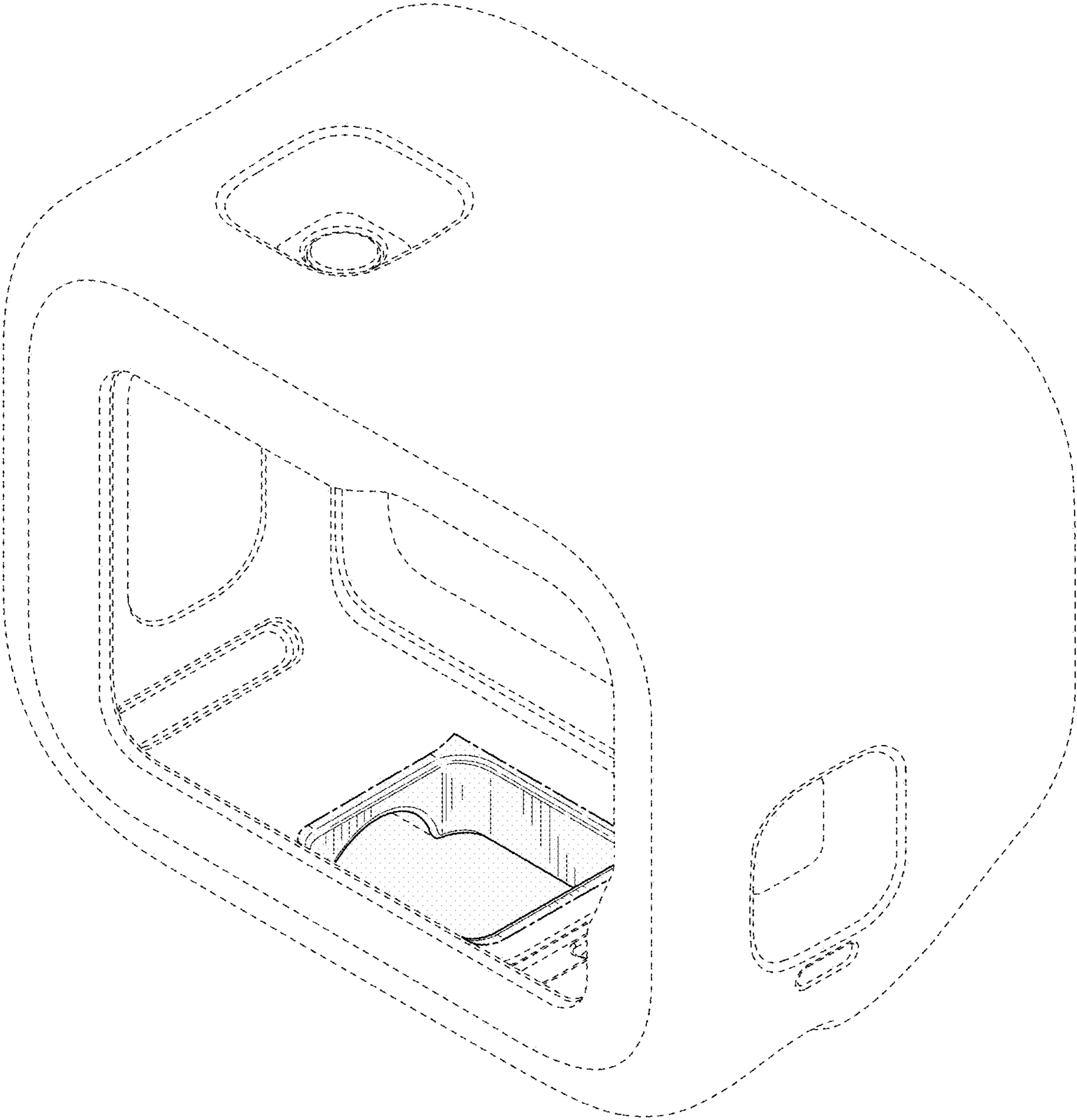


FIG. 1

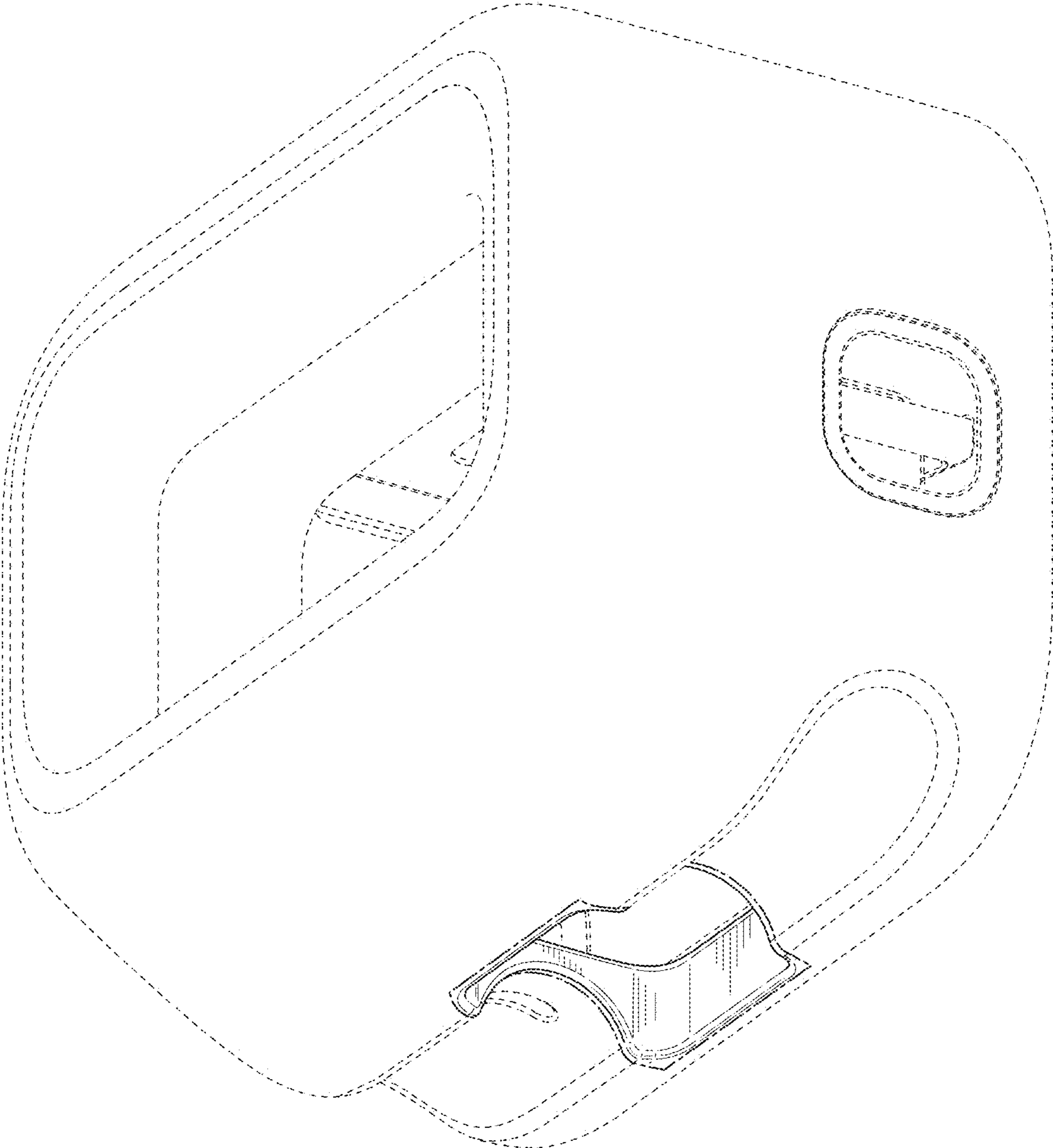


FIG. 2

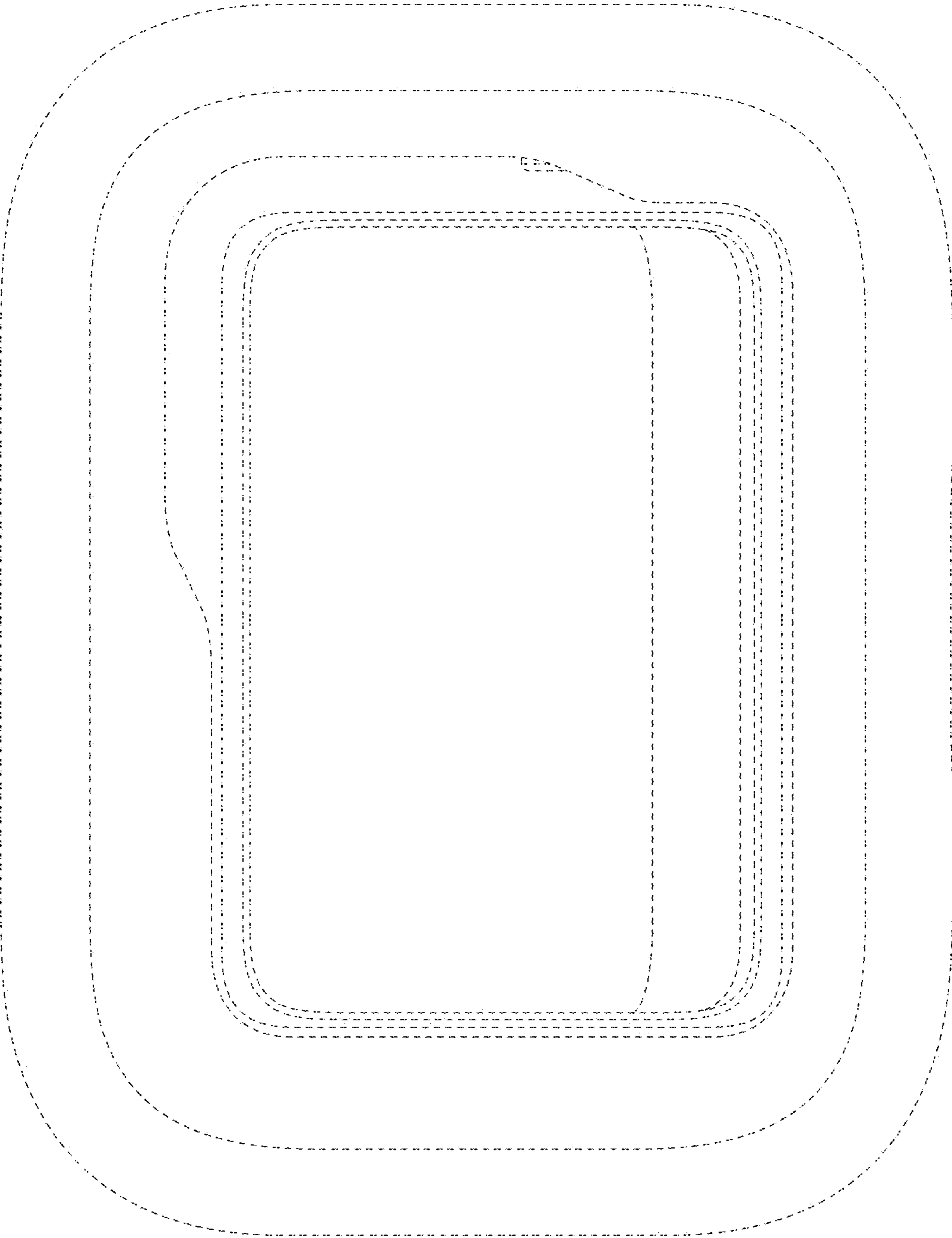


FIG. 3

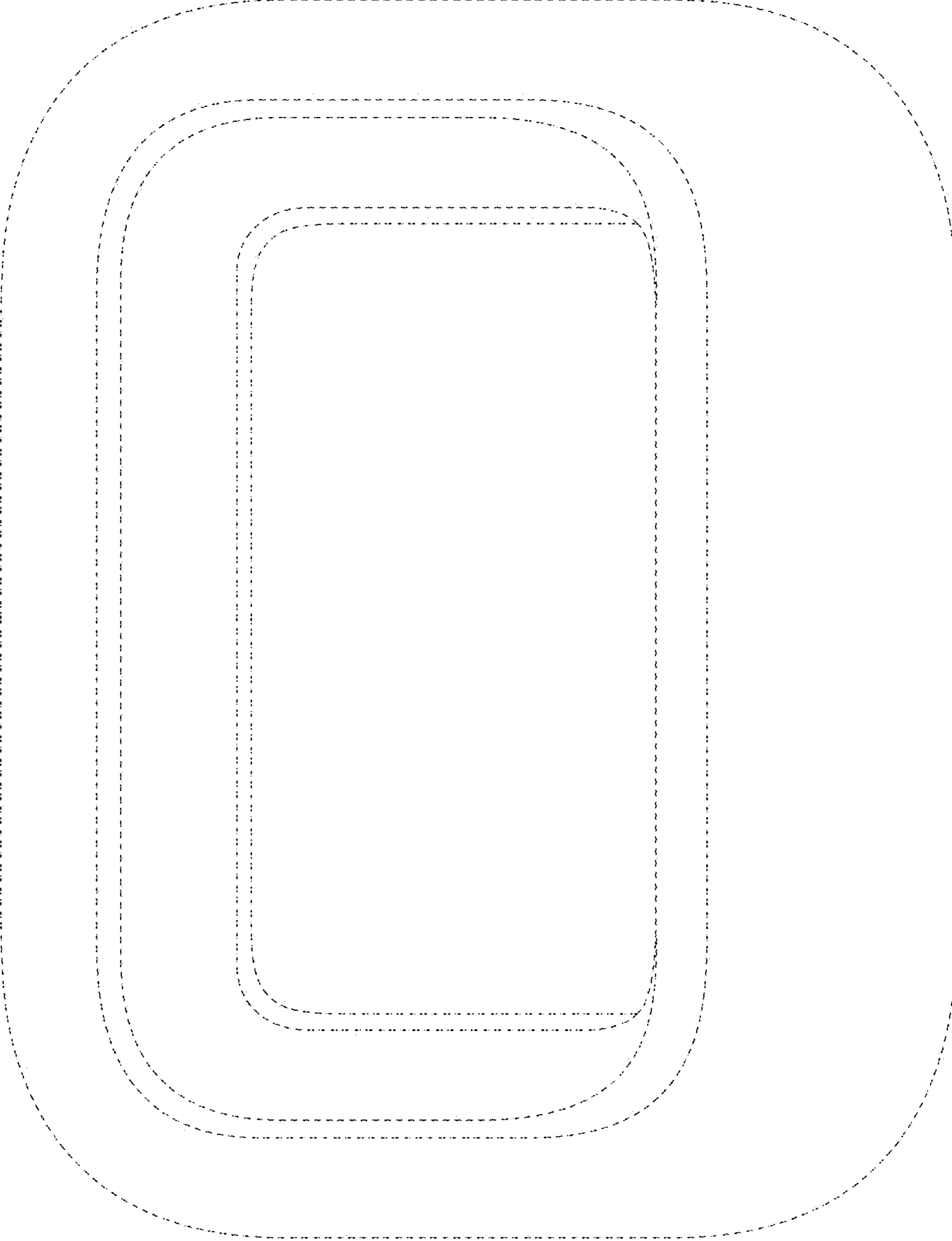


FIG. 4

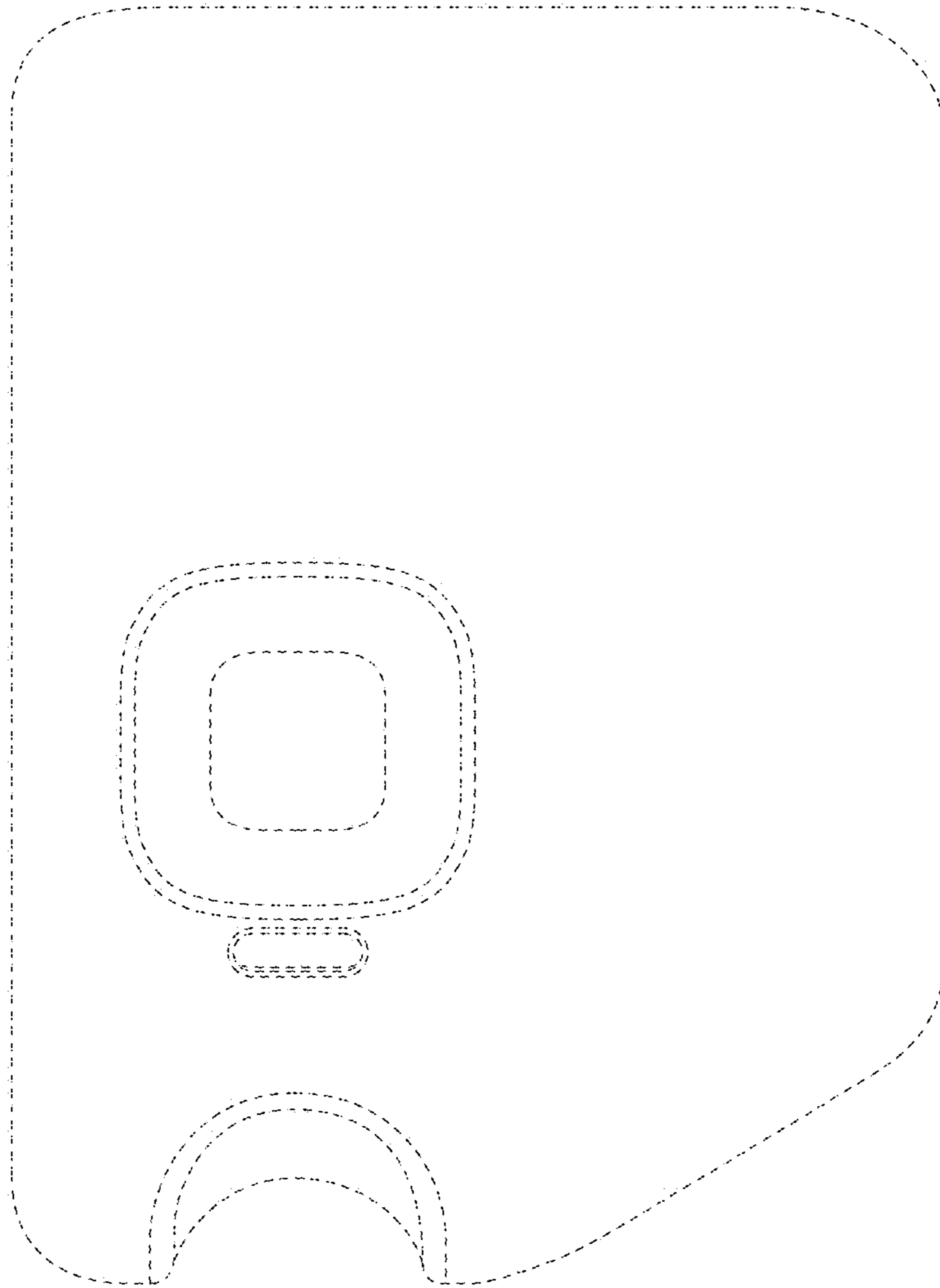


FIG. 5

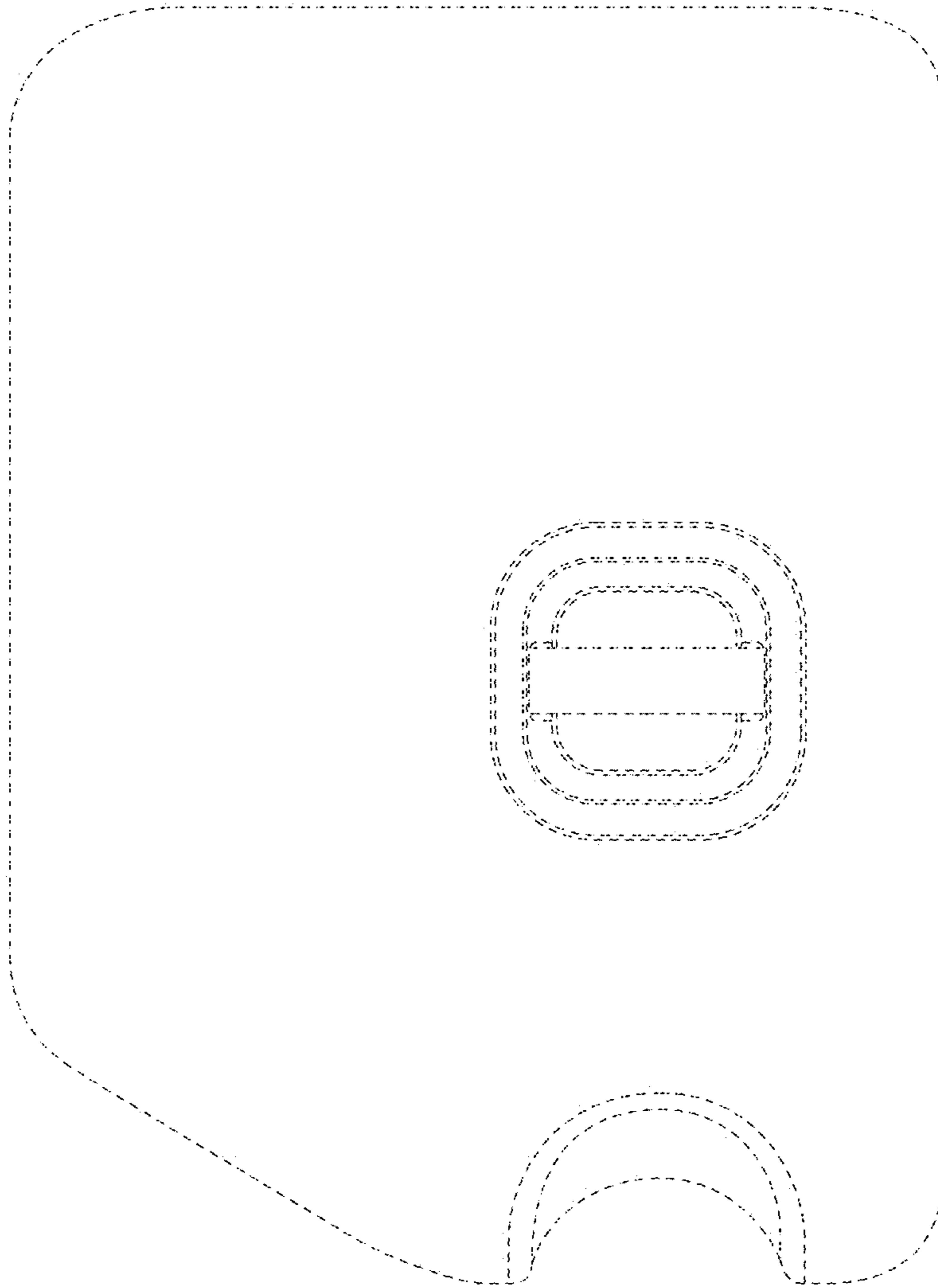


FIG. 6

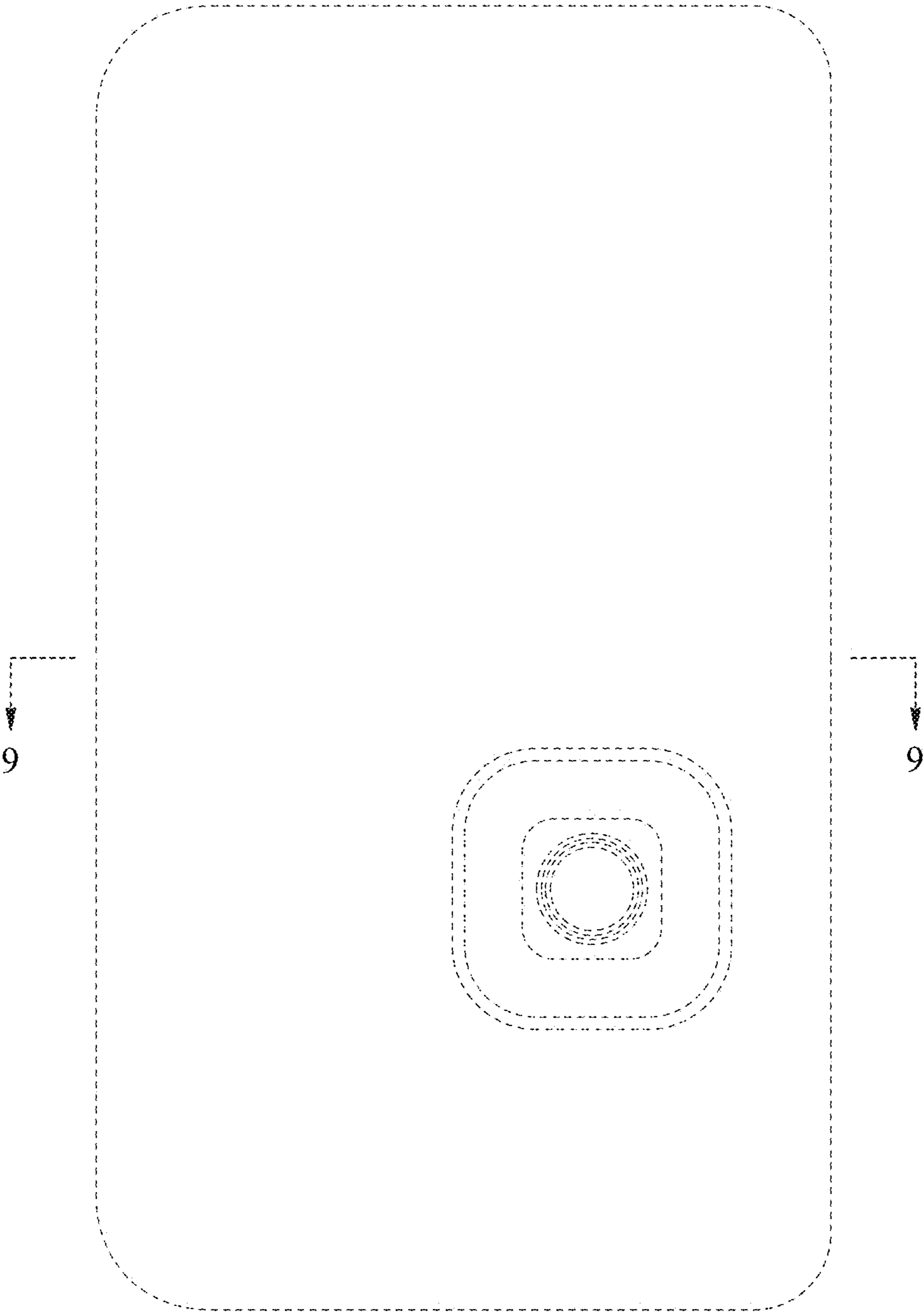


FIG. 7

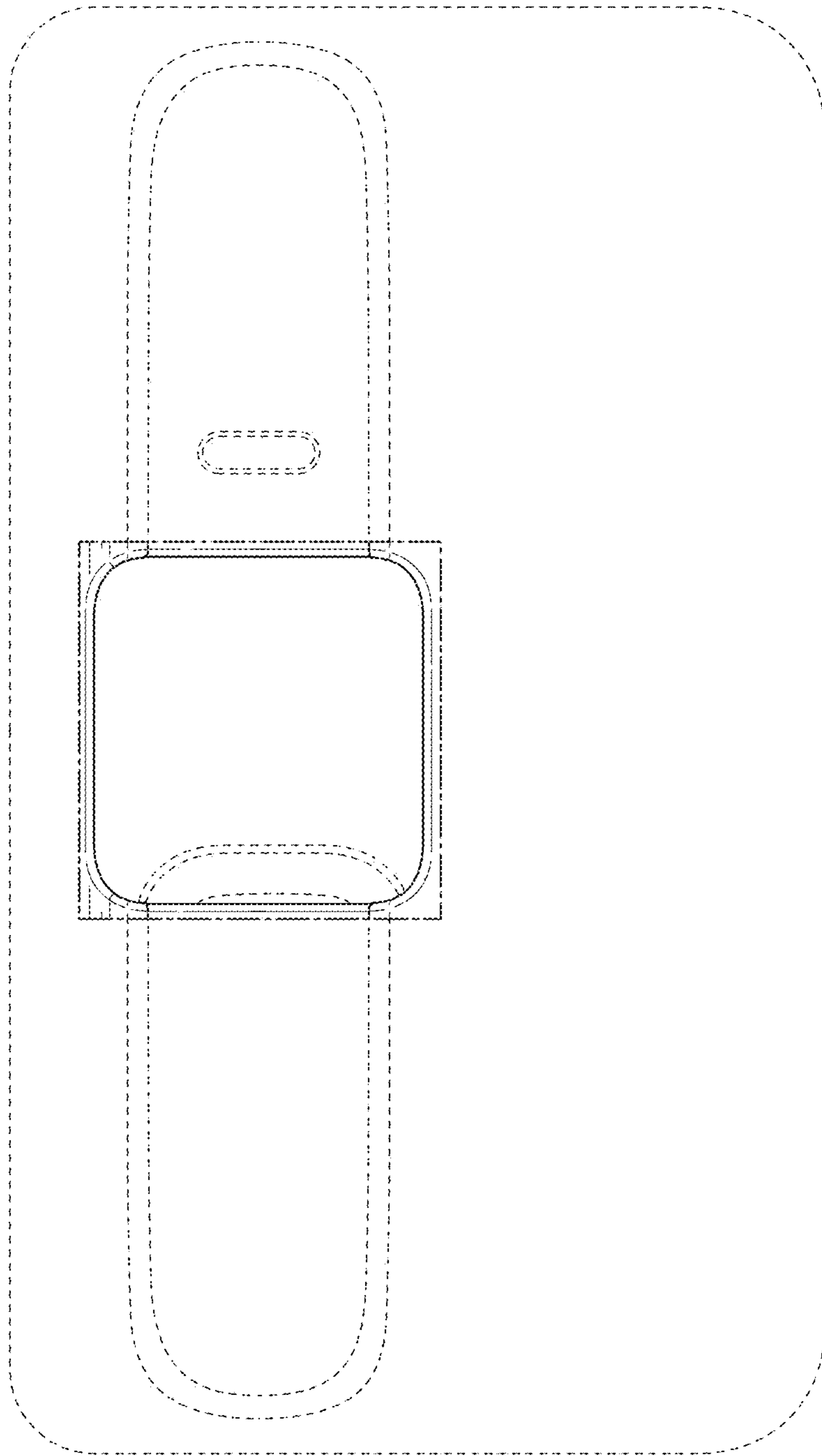


FIG. 8

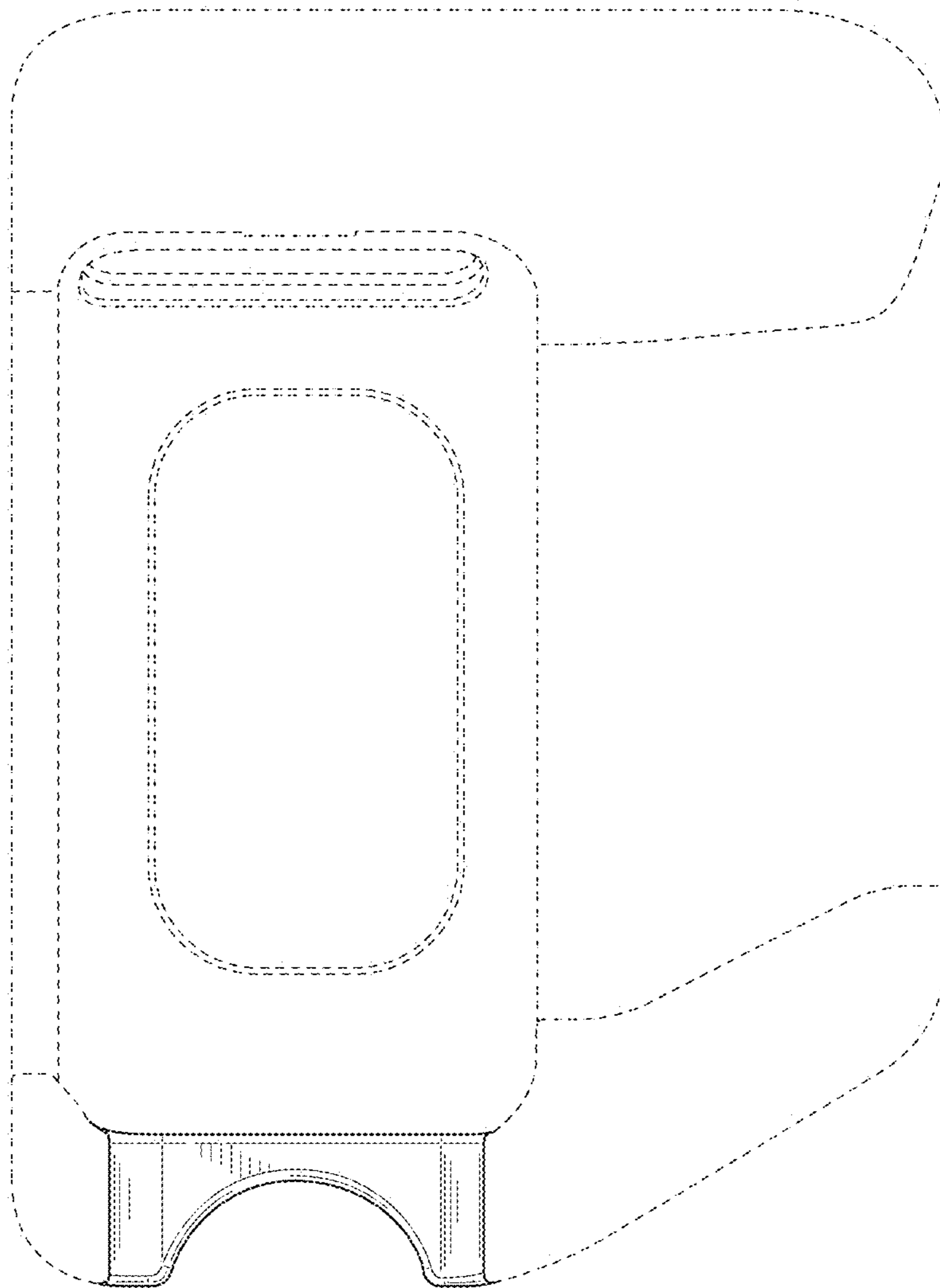


FIG. 9