



US00D933114S

(12) **United States Design Patent** (10) **Patent No.:** **US D933,114 S**
Lai (45) **Date of Patent:** **** Oct. 12, 2021**

(54) **MONOCULAR**

(71) Applicant: **Shenzhen Jufengcai Electronic Technology Co., Ltd, Guangdong (CN)**

(72) Inventor: **Zhenwen Lai, Shenzhen (CN)**

(73) Assignee: **Shenzhen Jufengcai Electronic Technology Co., Ltd.**

(**) Term: **15 Years**

(21) Appl. No.: **29/739,783**

(22) Filed: **Jun. 29, 2020**

(51) **LOC (13) Cl.** **16-06**

(52) **U.S. Cl.**
USPC **D16/132**

(58) **Field of Classification Search**
USPC D10/74, 103, 66; D16/132, 133, 130,
D16/131; D22/100, 108, 109
CPC ... G01C 3/00; G01C 3/02; G01C 3/04; G01C
3/06; G01C 3/08; G01C 3/085; G01C
3/10; G01C 3/12; G01C 3/16; G01C
3/18; G01C 3/20
See application file for complete search history.

(56) **References Cited**

U.S. PATENT DOCUMENTS

D482,709 S * 11/2003 Meinzer D16/132
D512,449 S * 12/2005 Regan D16/132

D594,493 S * 6/2009 Chujo D16/132
D594,494 S * 6/2009 Chujo D16/132
D676,885 S * 2/2013 Iwabuchi D16/132
D685,832 S * 7/2013 Wunnicke D16/132
D695,327 S * 12/2013 Hoelbl D16/132
D731,571 S * 6/2015 Imamizu D16/132
D816,795 S * 5/2018 Vogl D22/109
D872,220 S * 1/2020 Vogl D22/109
D903,735 S * 12/2020 Chen D16/132

* cited by examiner

Primary Examiner — Mark A Goodwin
Assistant Examiner — Benjamin M Weeks

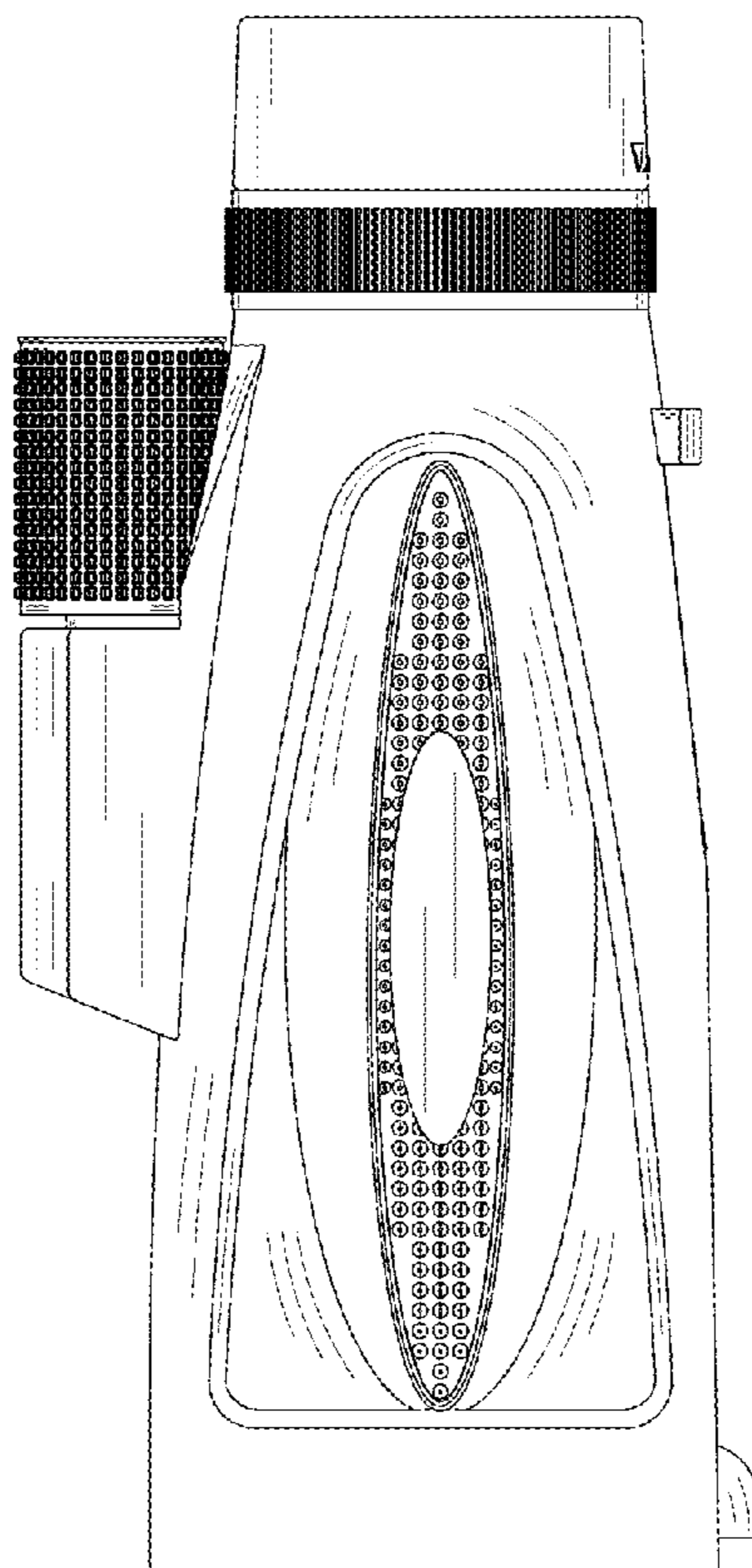
(57) **CLAIM**

The ornamental design for monocular, as shown and described.

DESCRIPTION

FIG. 1 is a front view of the monocular showing my new design;
FIG. 2 is a back view thereof;
FIG. 3 is a left side view thereof;
FIG. 4 is a right side view thereof;
FIG. 5 is a top view thereof;
FIG. 6 is a bottom view thereof;
FIG. 7 is a perspective view thereof; and,
FIG. 8 is another perspective view thereof.

1 Claim, 8 Drawing Sheets



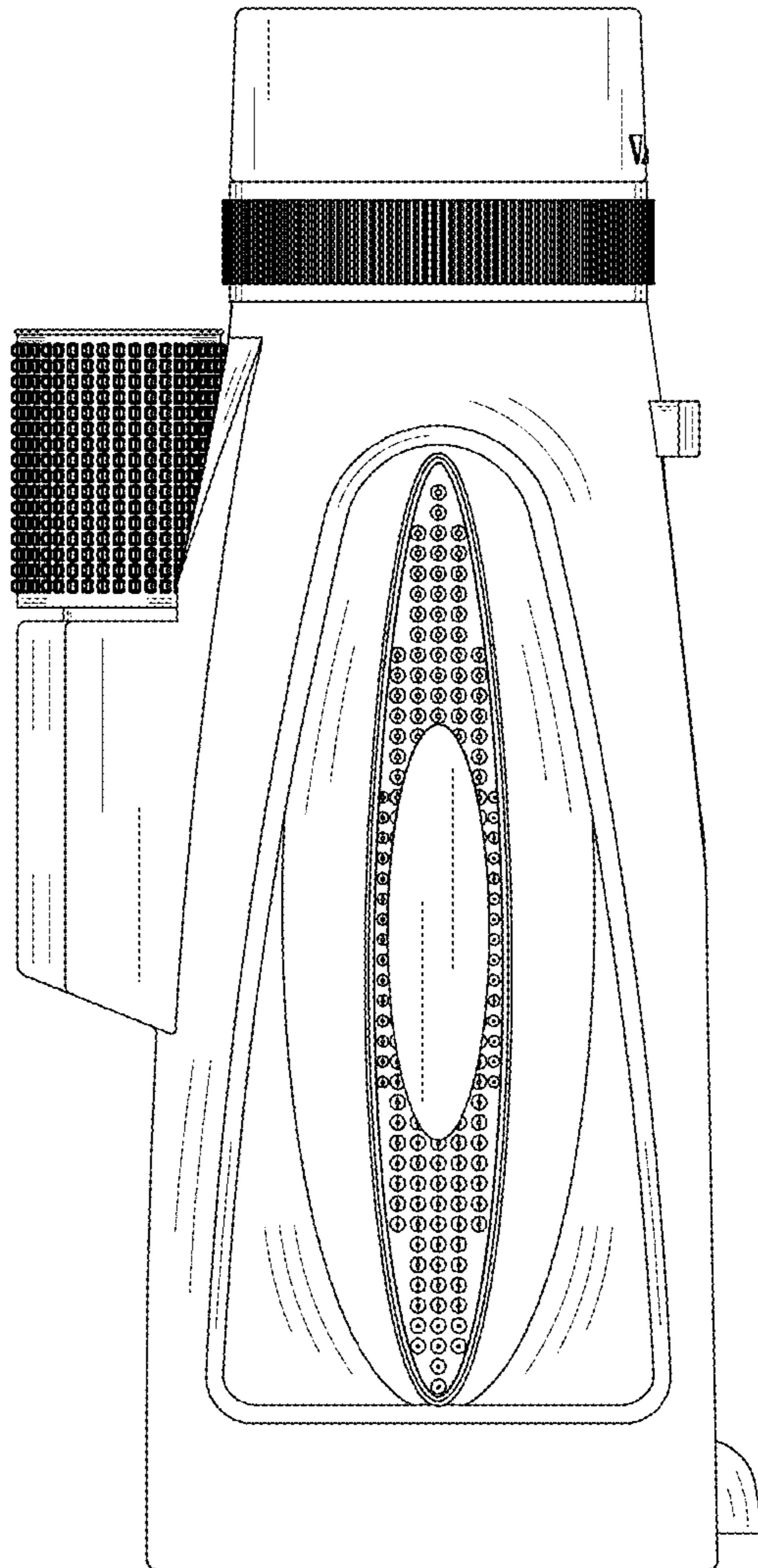


FIG. 1

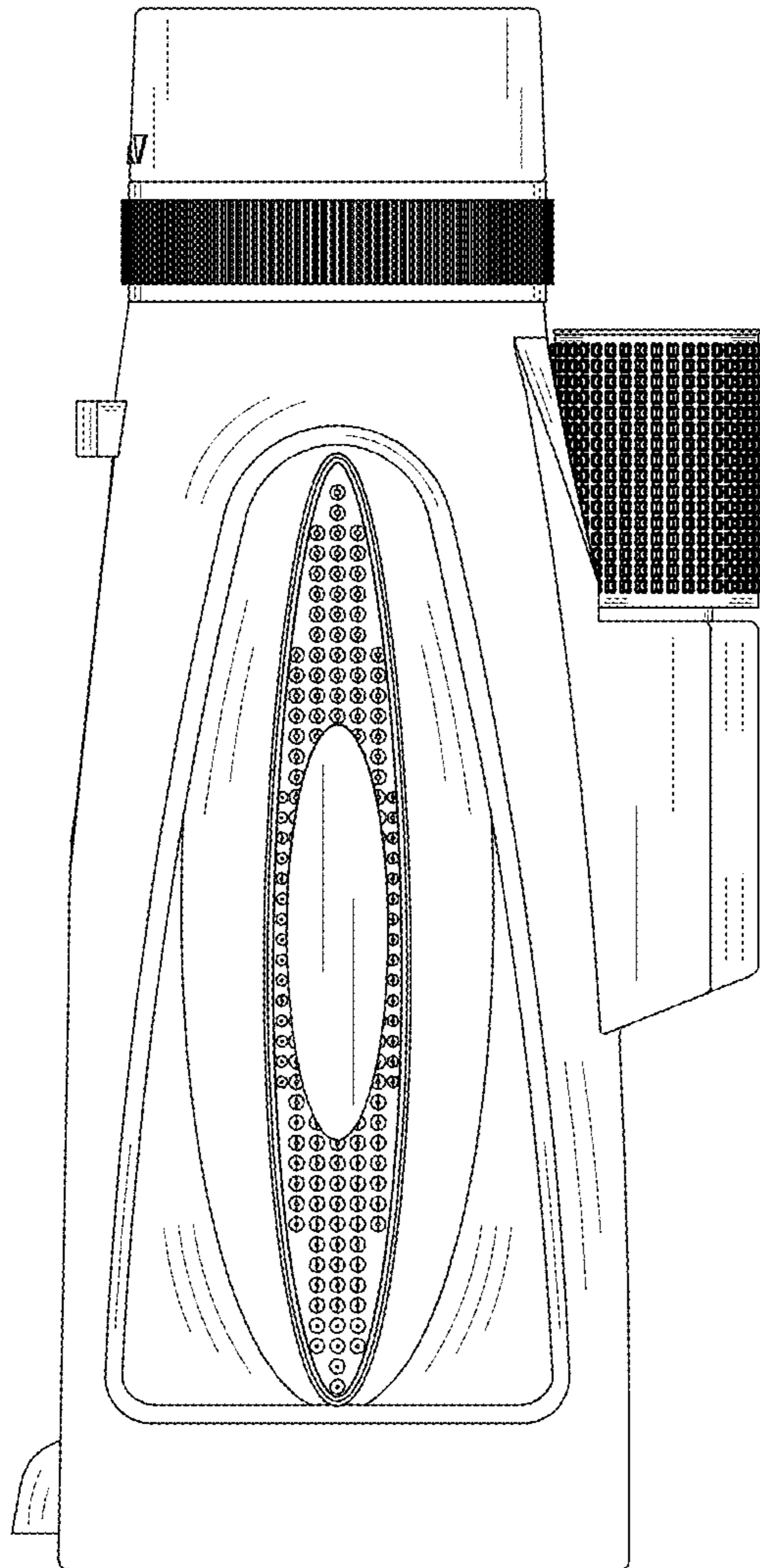


FIG. 2

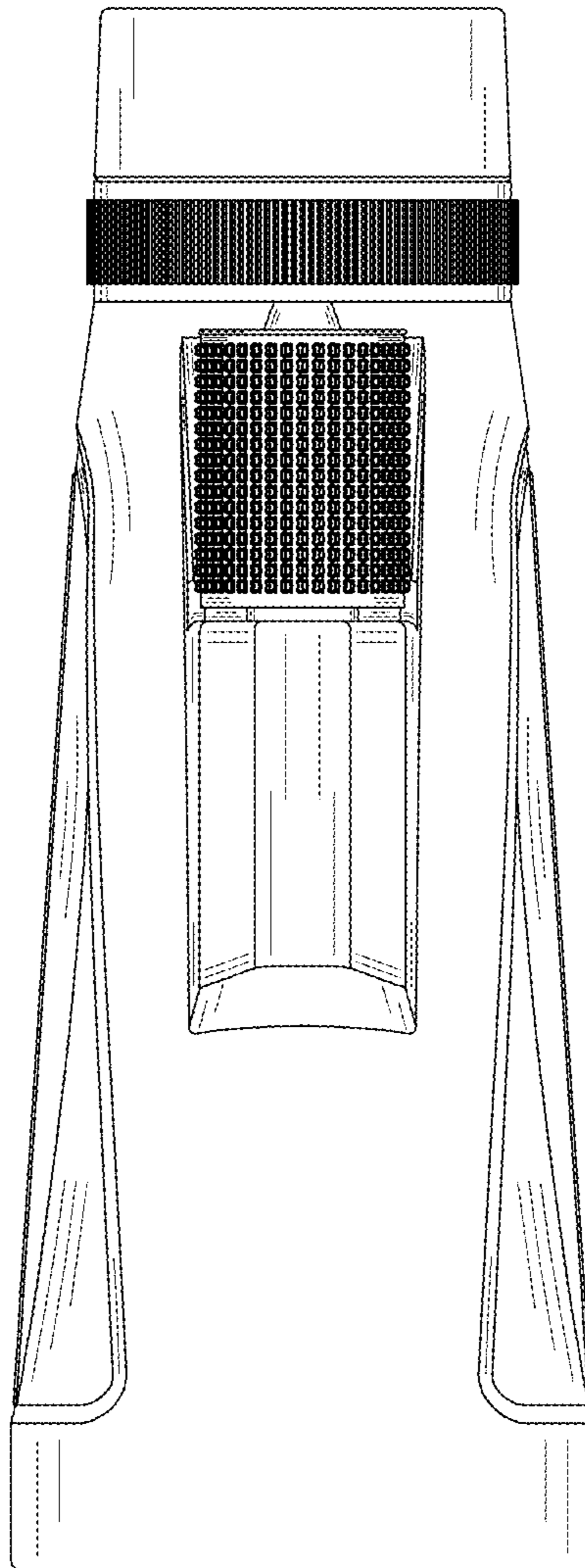


FIG. 3

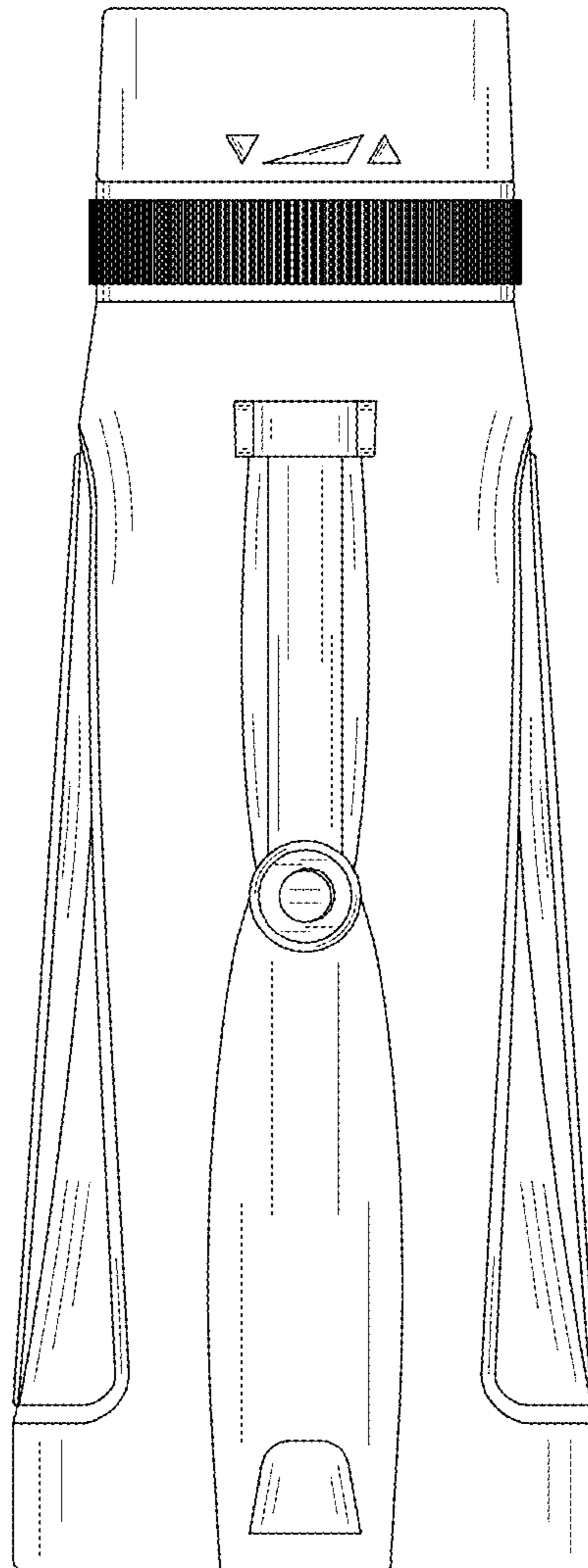


FIG. 4

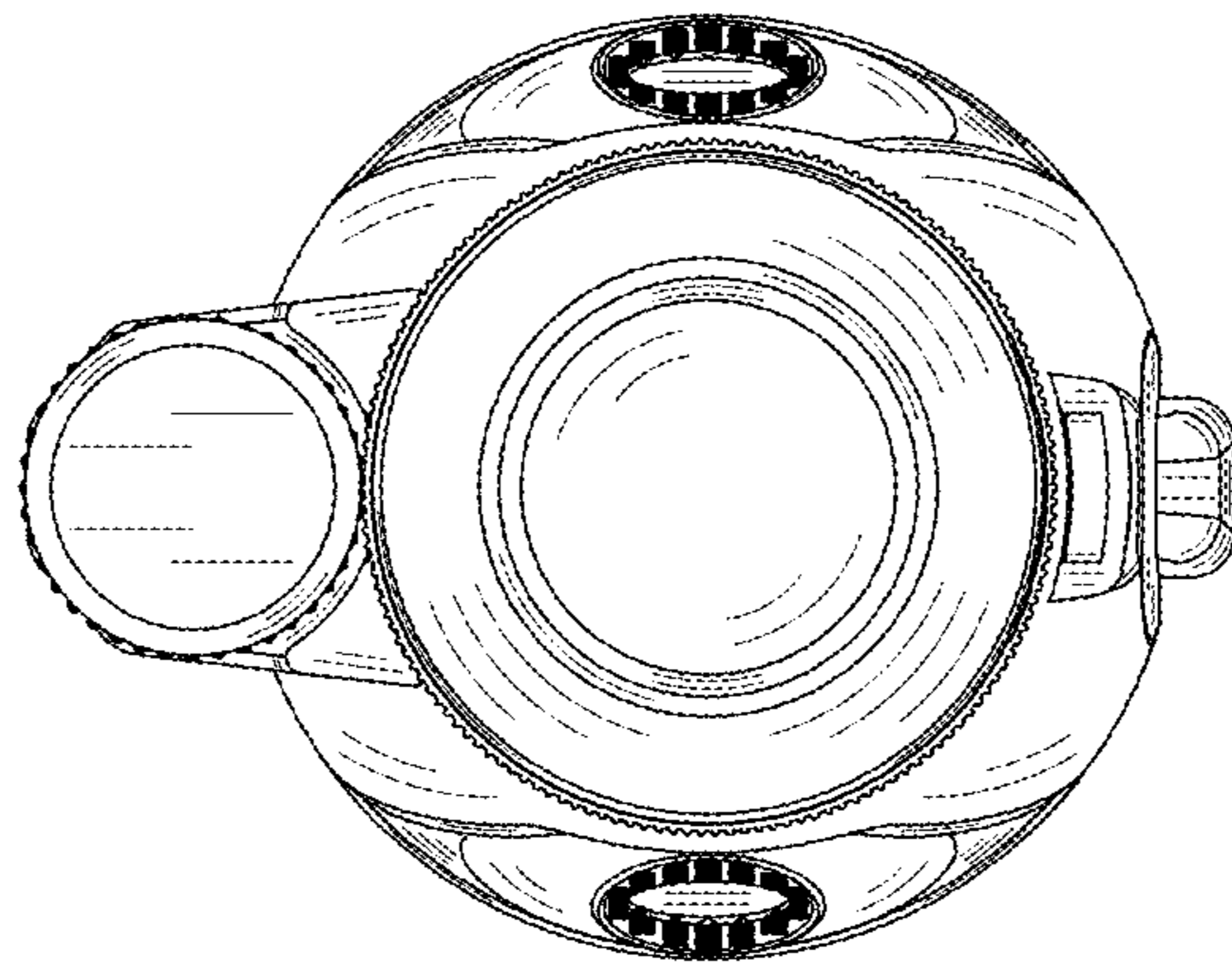


FIG. 5

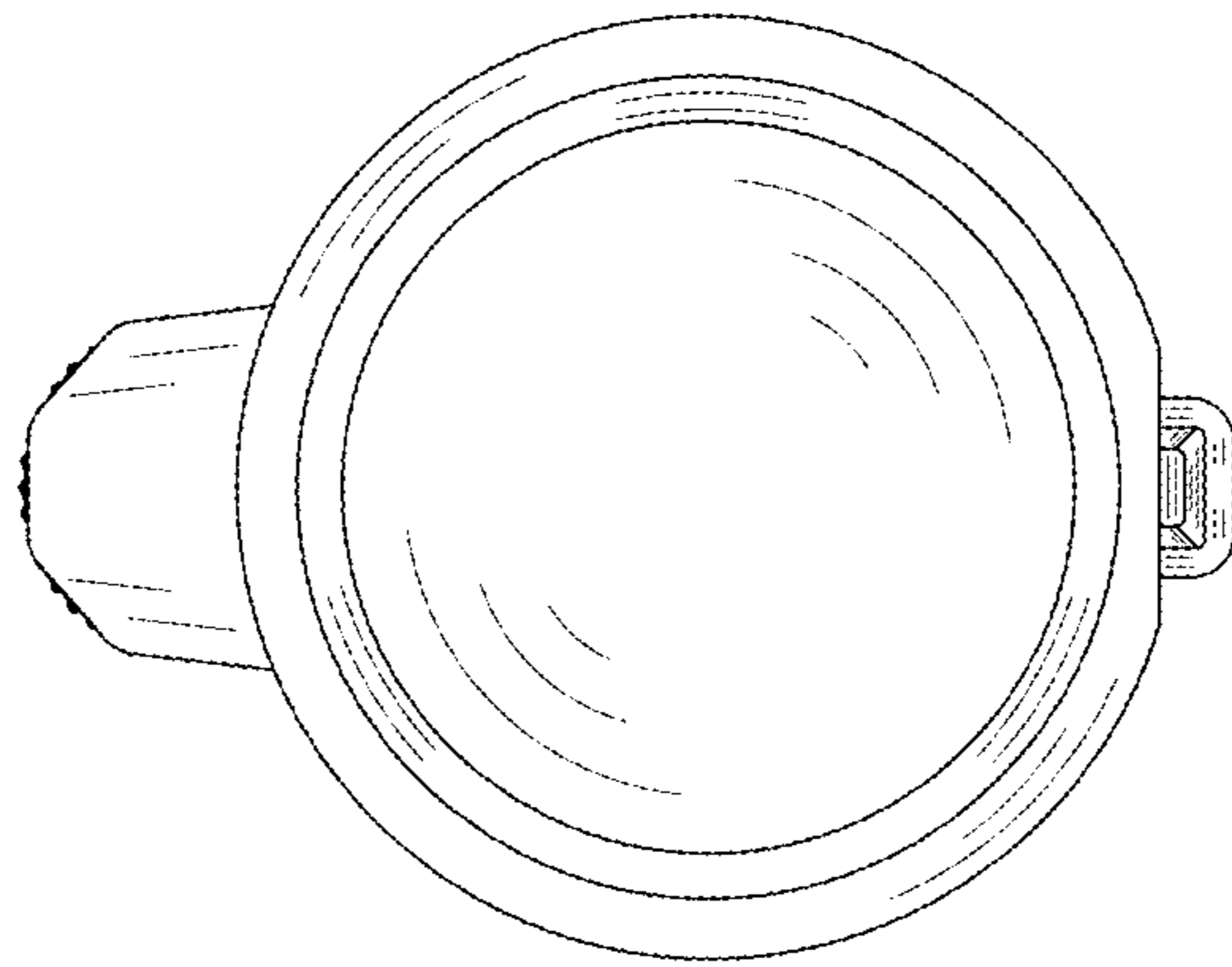


FIG. 6

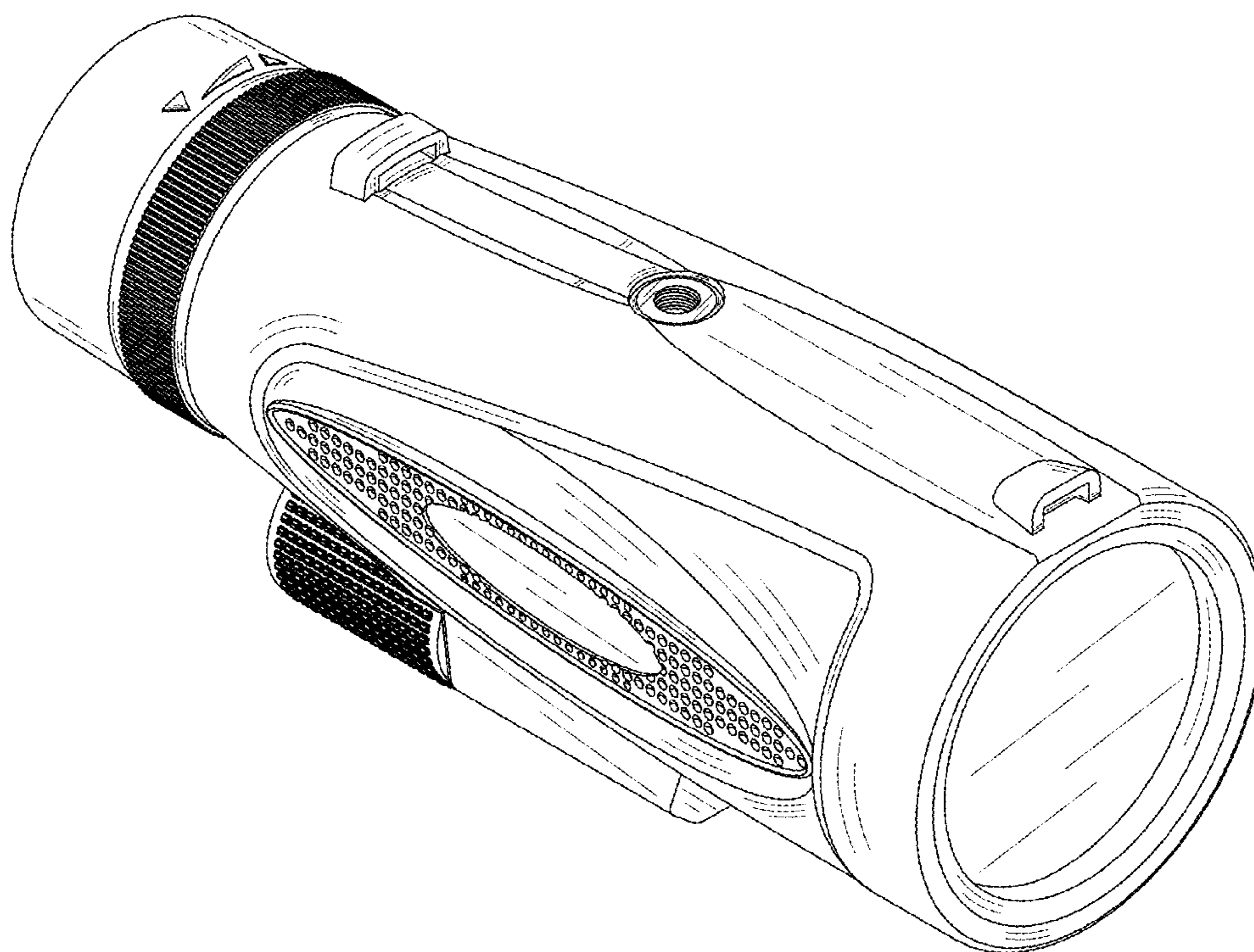


FIG. 7

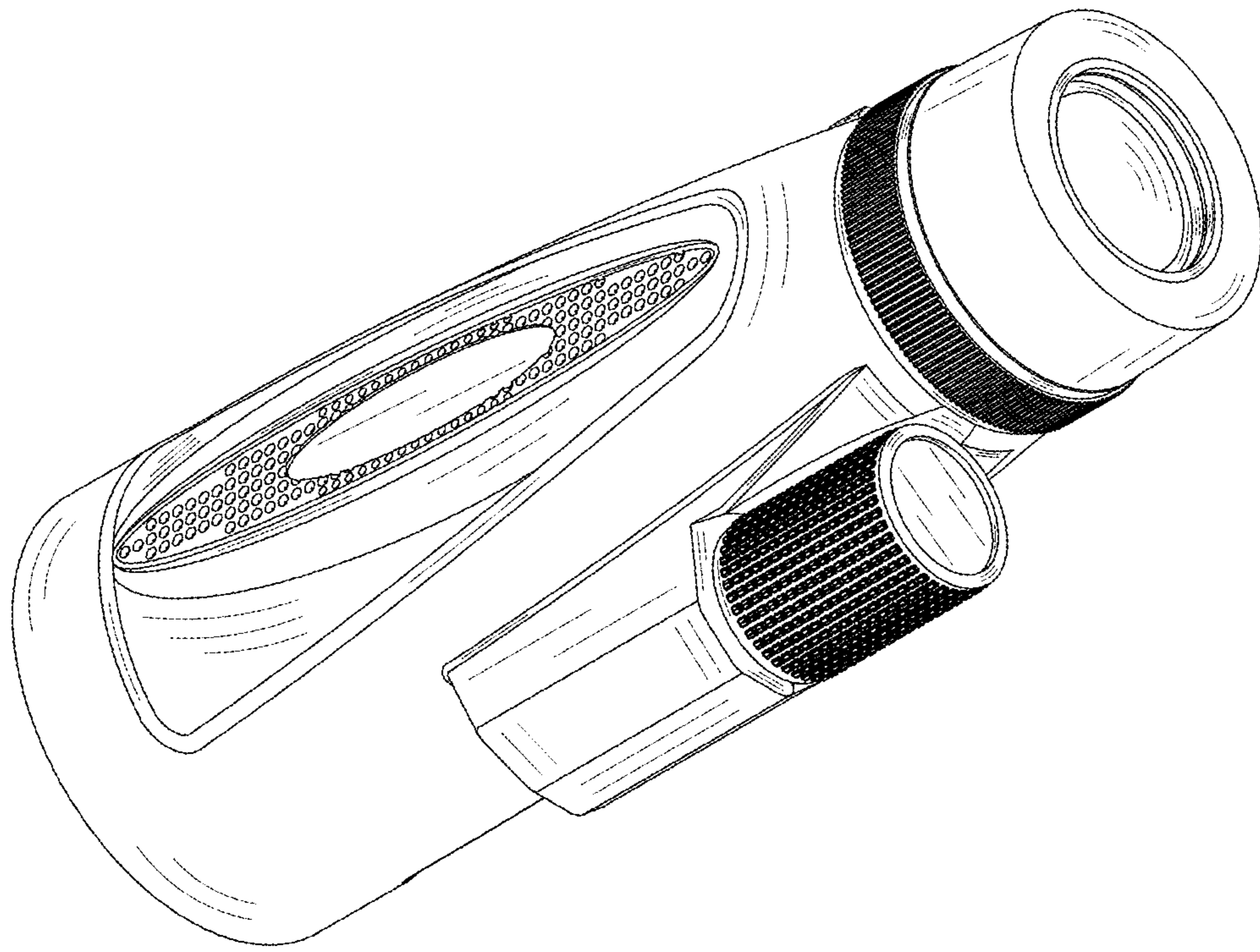


FIG. 8