



US00D933113S

(12) **United States Design Patent** (10) **Patent No.:** **US D933,113 S**
Reiter et al. (45) **Date of Patent:** **** Oct. 12, 2021**

(54) **ROCKER**
(71) Applicants: **Bradley Reiter**, Wilcox, PA (US);
Gary L. Anderson, St. Marys, PA (US)
(72) Inventors: **Bradley Reiter**, Wilcox, PA (US);
Gary L. Anderson, St. Marys, PA (US)
(73) Assignee: **KEYSTONE POWDERED METAL**
COMPANY, St. Marys, PA (US)
(**) Term: **15 Years**
(21) Appl. No.: **29/680,589**
(22) Filed: **Feb. 18, 2019**

3,217,112 A * 11/1965 Campbell H01H 23/164
200/16 C
4,721,194 A * 1/1988 Frost B60K 17/3467
192/108
D309,343 S * 7/1990 Koza D23/269
D365,079 S * 12/1995 Abbott D12/220
6,393,819 B1 * 5/2002 Matsuno F16G 13/04
474/215
D499,703 S * 12/2004 Barone D13/174
D587,819 S * 3/2009 Ryan D25/119
D621,324 S * 8/2010 Kim D12/219
D622,579 S * 8/2010 Heindl D8/382
D680,051 S * 4/2013 Tolentino D12/219
D692,593 S * 10/2013 Hanser D25/124
D872,906 S * 1/2020 Oetlinger D25/199
D892,022 S * 8/2020 Kim D12/219
11,047,431 B2 * 6/2021 Burke F16D 45/00
2006/0021841 A1 * 2/2006 Kimes F16D 41/12
192/46
2007/0286444 A1 * 12/2007 Heerlein H01H 23/003
381/324
2010/0122883 A1 * 5/2010 Bartos F16D 41/16
192/43.1

Related U.S. Application Data

(63) Continuation-in-part of application No. 14/669,405,
filed on Mar. 26, 2015, now Pat. No. 10,208,814.
(51) **LOC (13) Cl.** **15-99**
(52) **U.S. Cl.**
USPC **D15/149**; D15/5
(58) **Field of Classification Search**
USPC D8/47, 86; D15/5, 138, 142, 148, 149;
D25/38.1, 41.1, 119, 120, 121, 136
CPC B60K 17/346; B60K 17/344; F16D 11/12;
F16D 11/00; F16D 21/02; F16D 43/00;
F16D 41/12; F16H 3/44; F16H 3/54;
F16H 63/30; F16G 13/04; F16G 13/00
See application file for complete search history.

References Cited

U.S. PATENT DOCUMENTS

3,043,154 A * 7/1962 Karig F16G 5/18
474/215
3,098,902 A * 7/1963 Meyer H01H 9/26
200/5 R

(Continued)

Primary Examiner — Calvin E Vansant
Assistant Examiner — Mark T. Philipps
(74) *Attorney, Agent, or Firm* — Alvin T. Rockhill

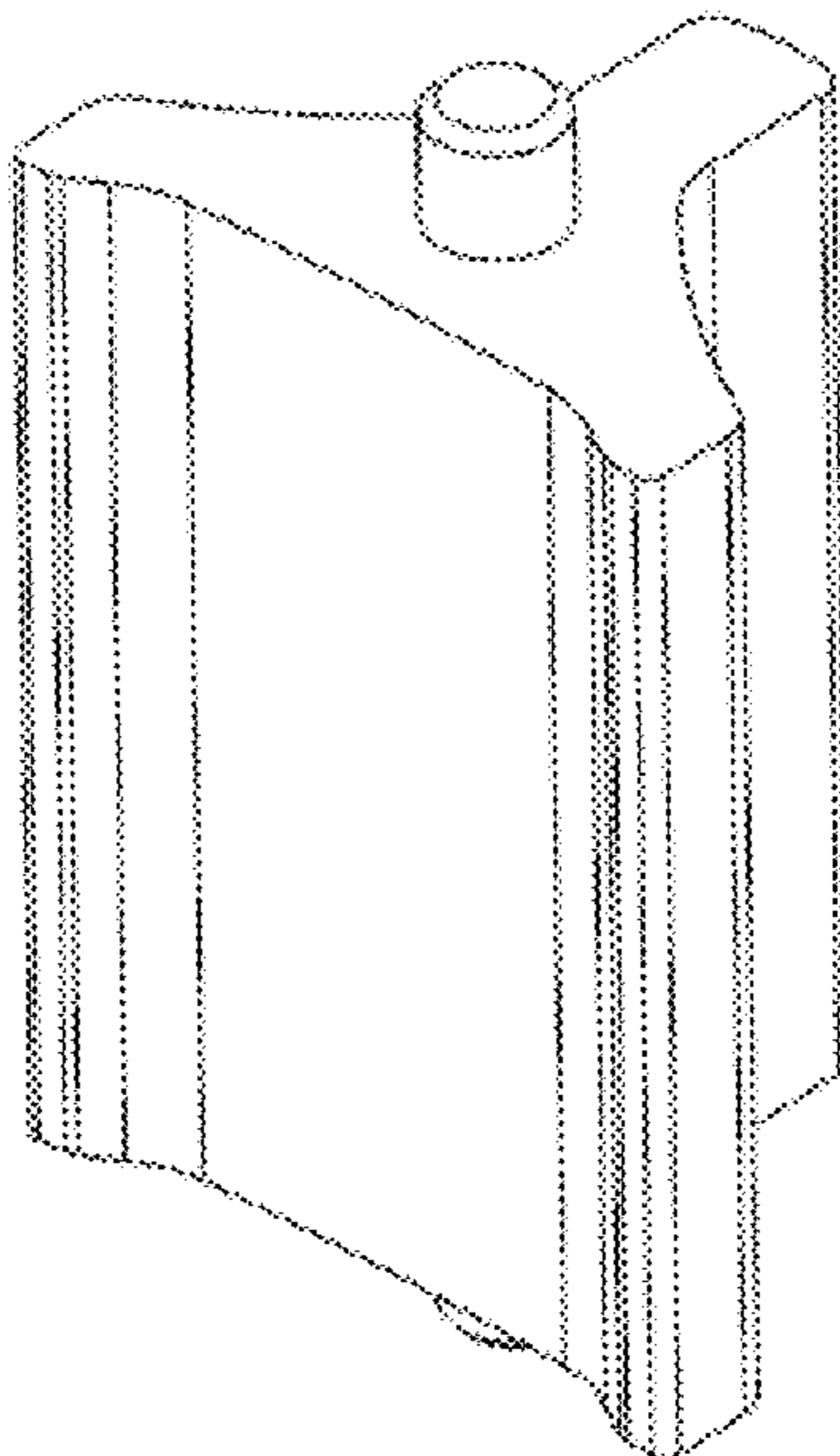
(57) **CLAIM**

The ornamental design for a rocker, as shown and described.

DESCRIPTION

FIG. 1 is a top view of the rocker with the bottom view being a mirror image of the top view.
FIG. 2 is a right side perspective view of the rocker.
FIG. 3 is a left side perspective view of the rocker.
FIG. 4 is a right side view of the rocker.
FIG. 5 is a front side view of the rocker.
FIG. 6 is a left side view of the rocker; and,
FIG. 7 is a back view of the rocker.

1 Claim, 2 Drawing Sheets



(56)

References Cited

U.S. PATENT DOCUMENTS

2016/0091035 A1* 3/2016 Dattawadkar F16D 41/12
192/46
2019/0178312 A1* 6/2019 Reiter C22C 38/08

* cited by examiner

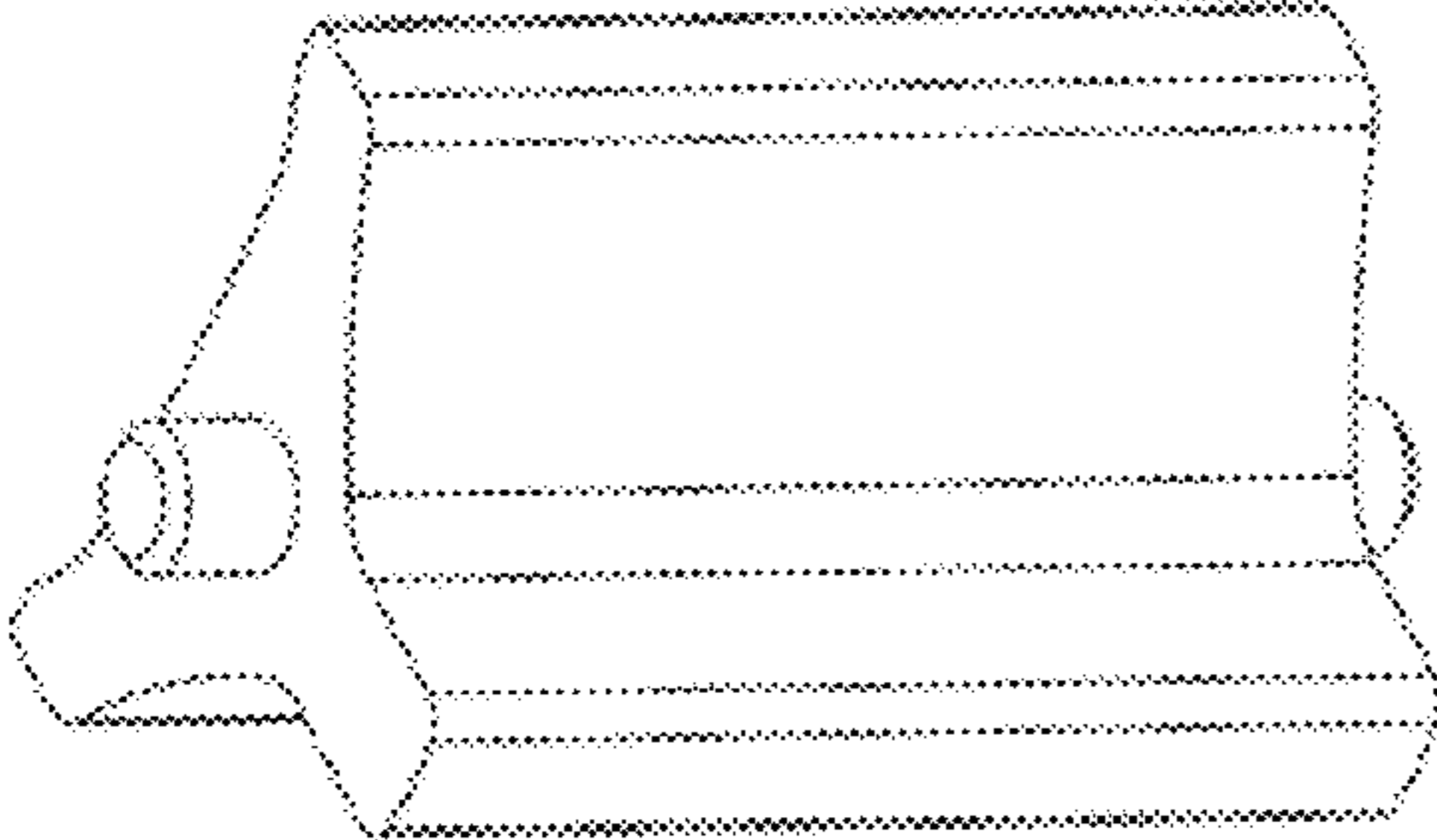


FIGURE 3

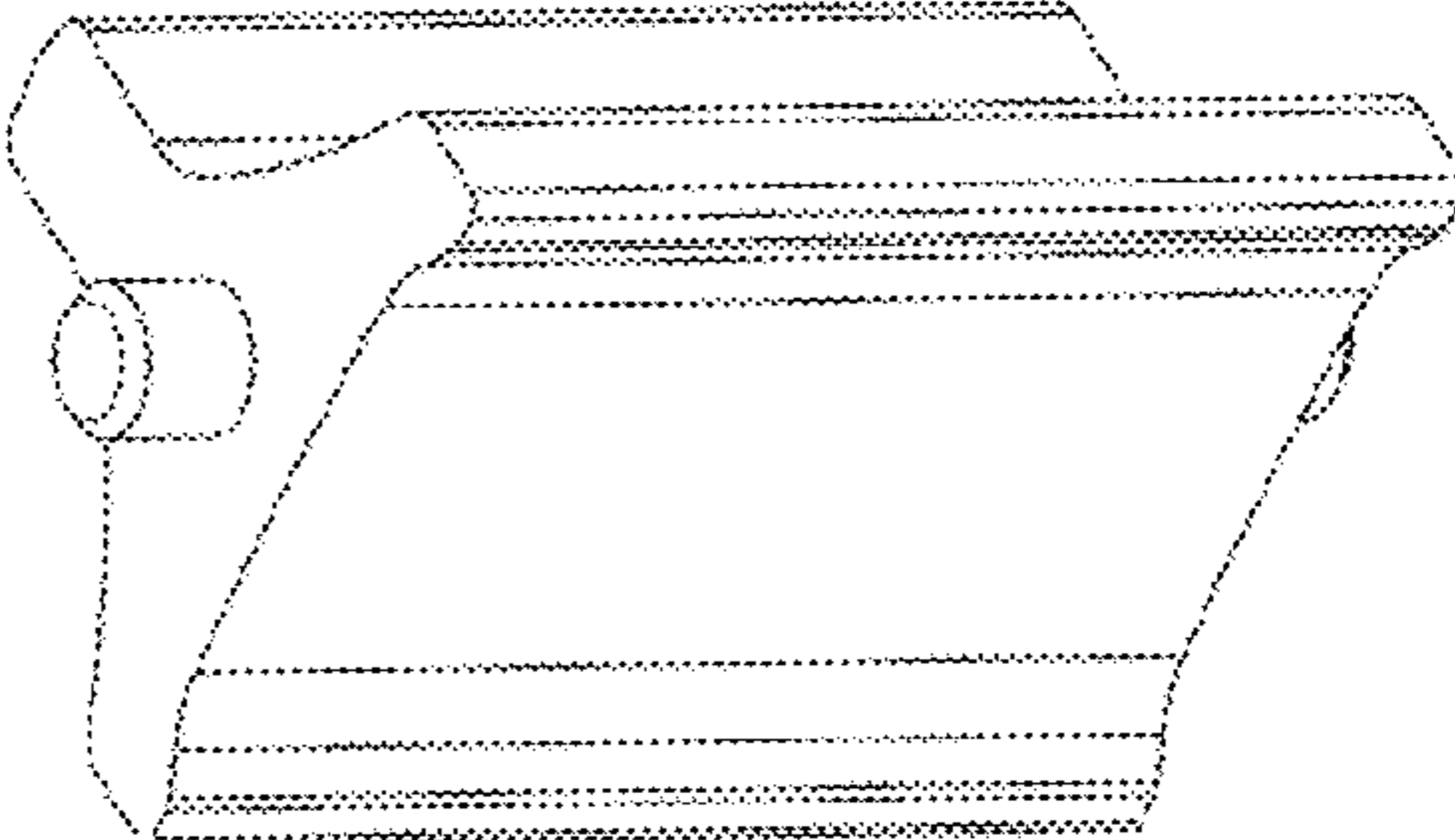


FIGURE 2

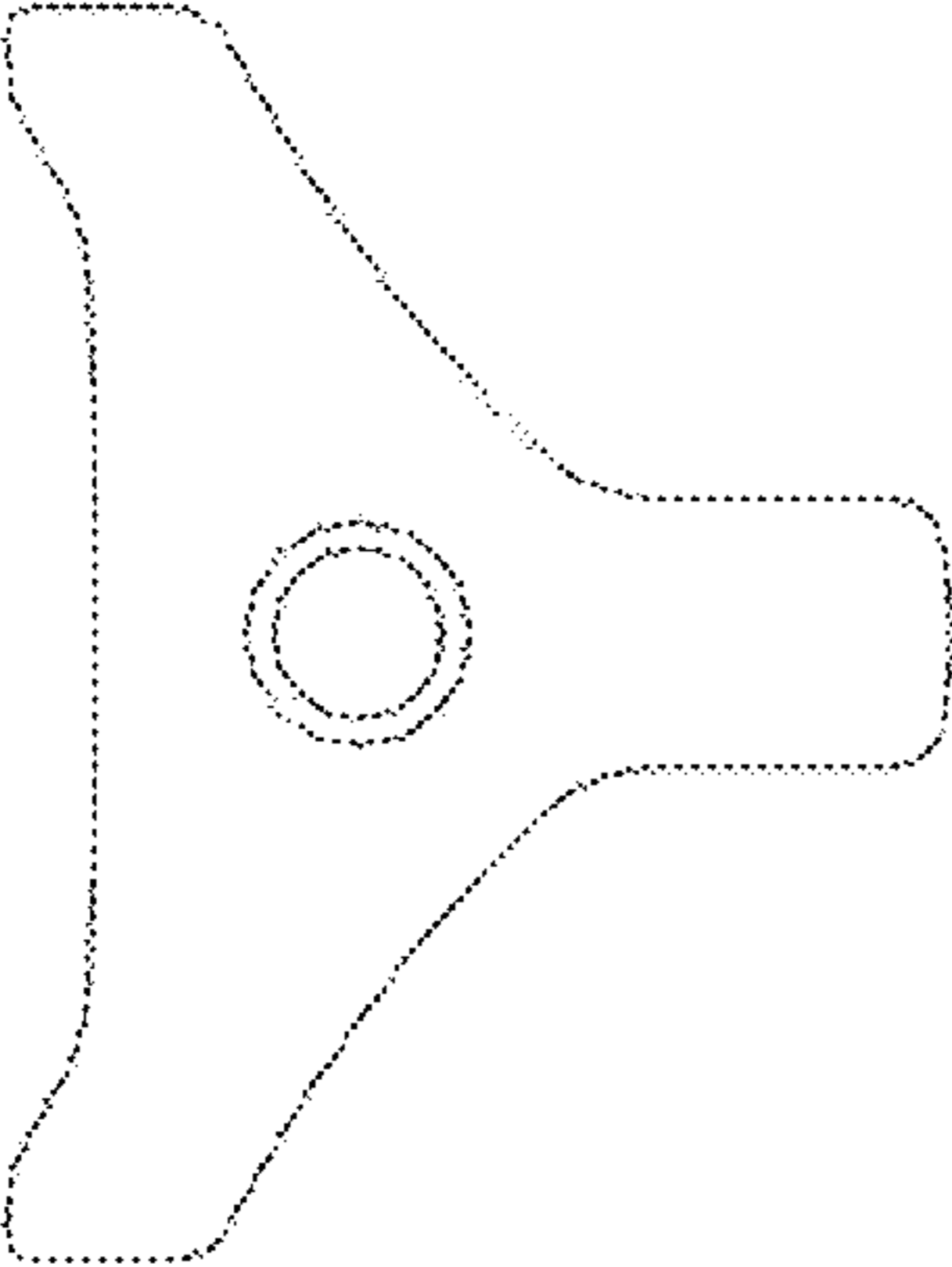


FIGURE 1

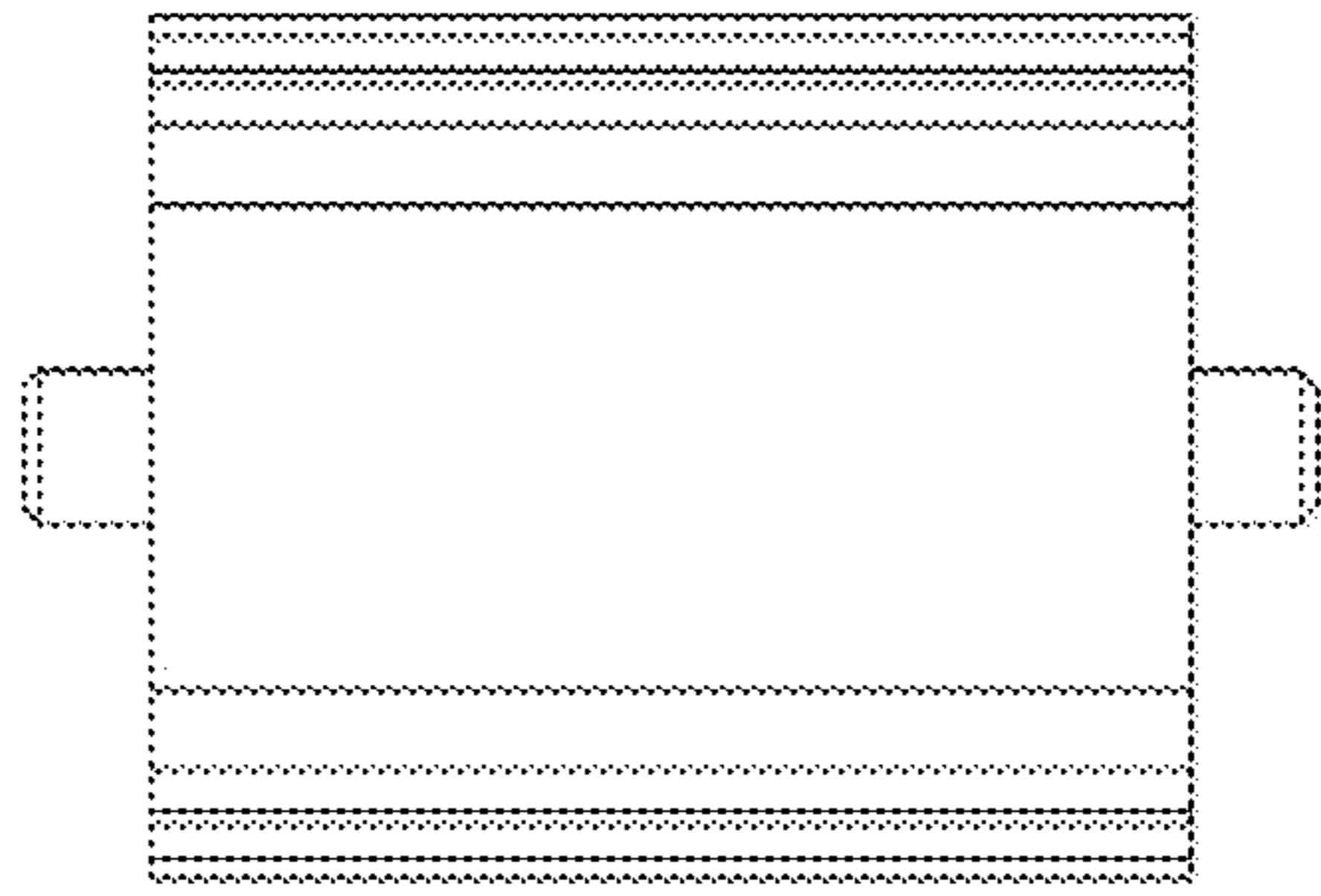


FIGURE 7

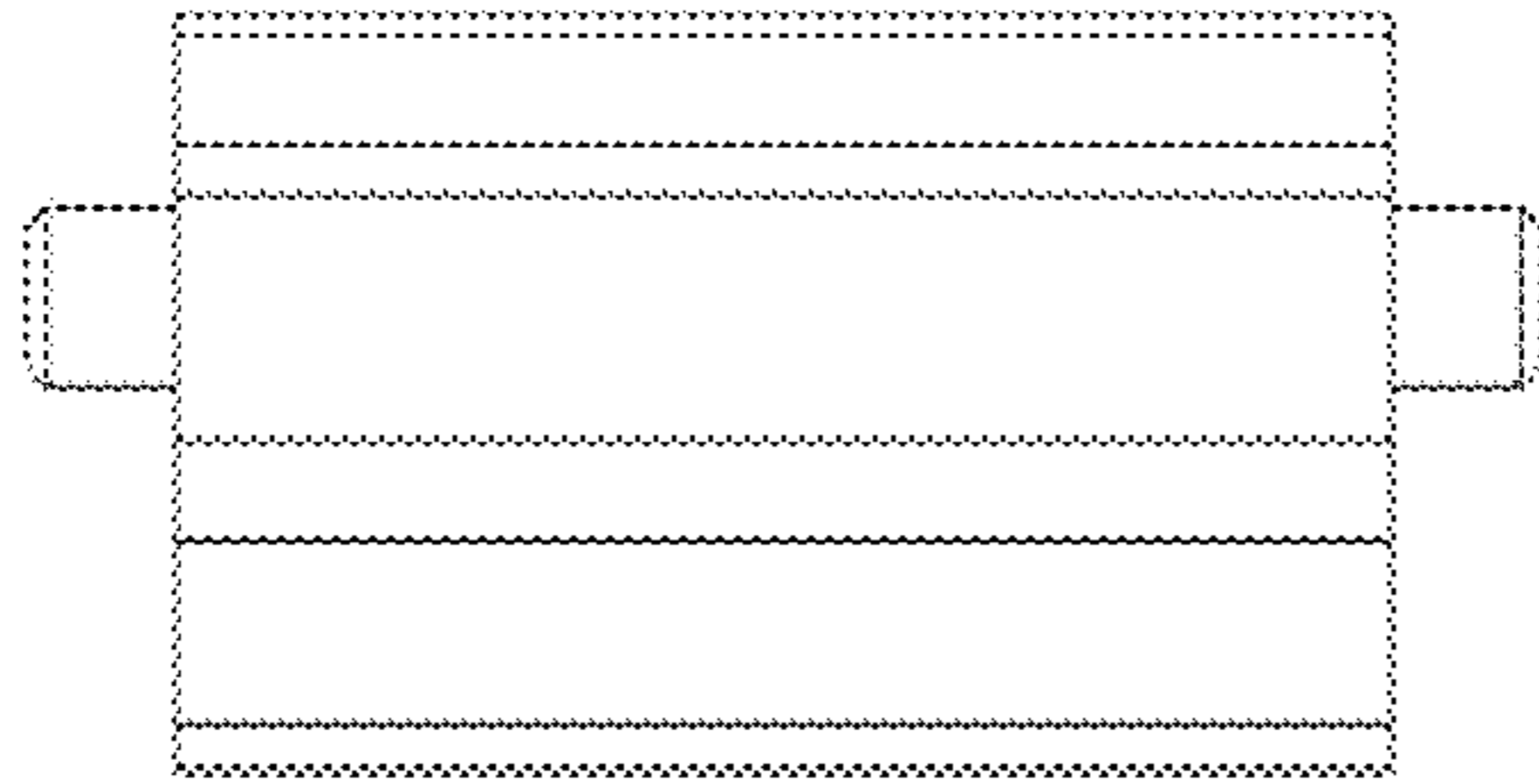


FIGURE 6

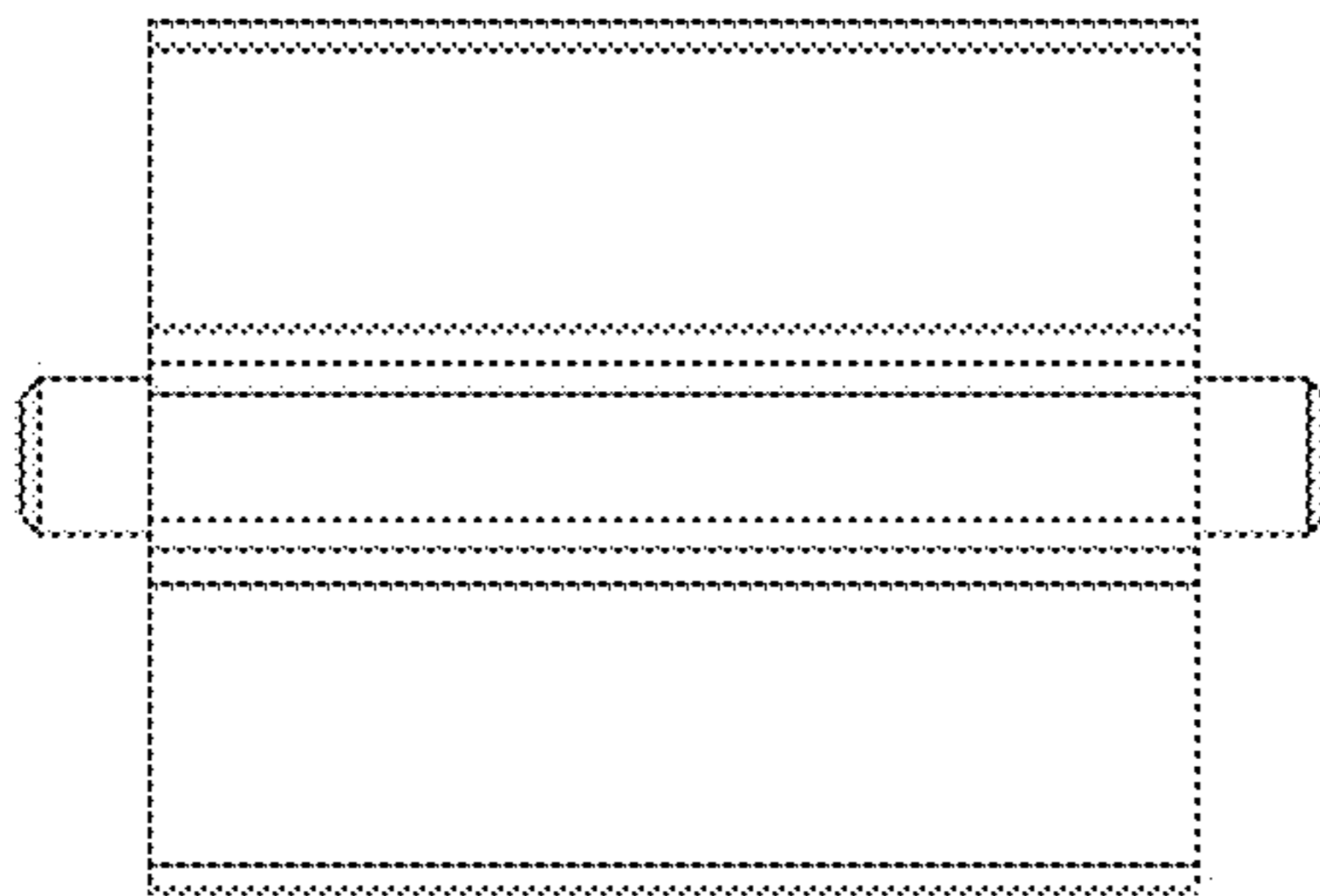


FIGURE 5

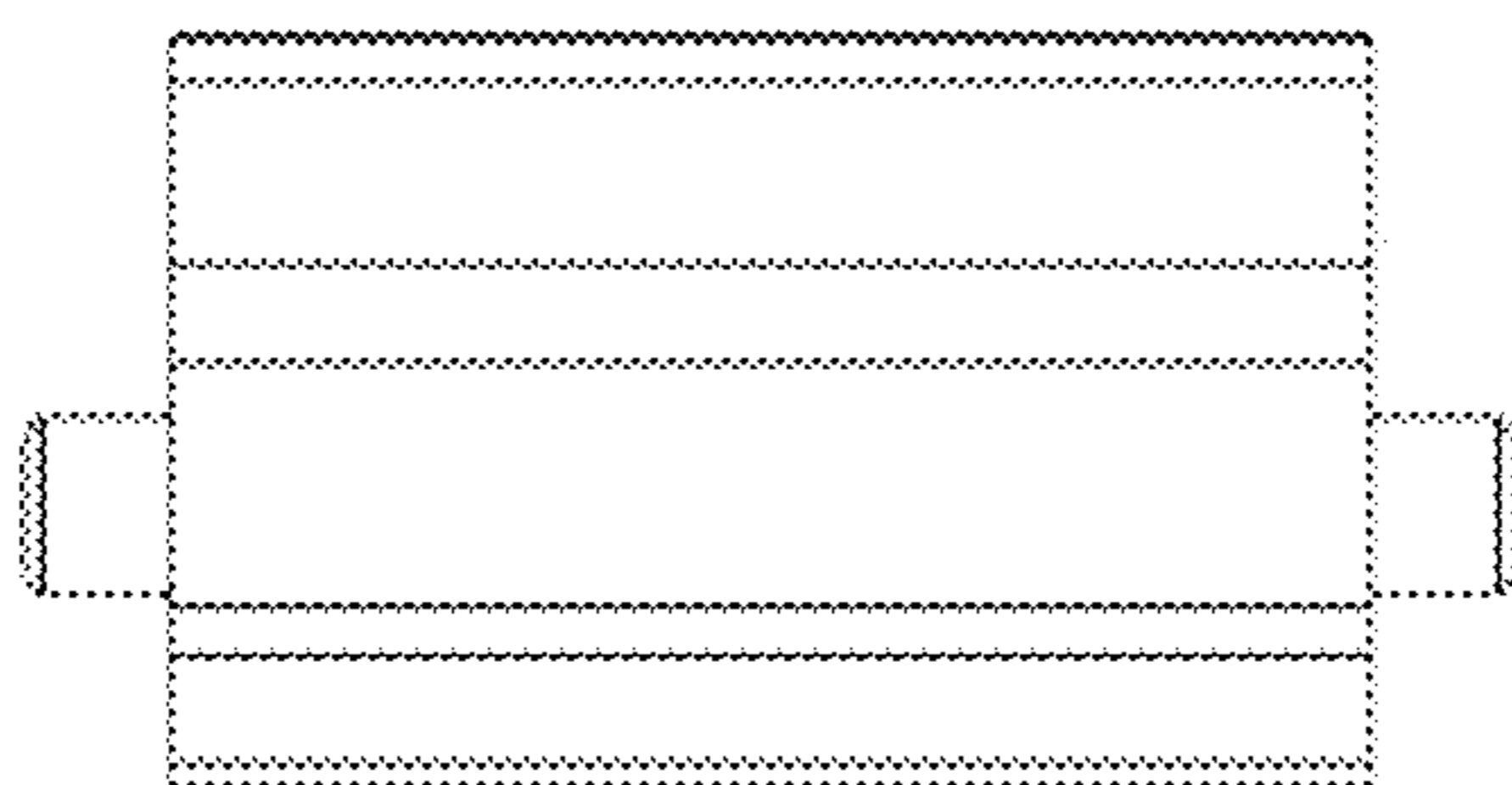


FIGURE 4