



US00D933108S

(12) **United States Design Patent** (10) **Patent No.:** **US D933,108 S**  
**Fleischer et al.** (45) **Date of Patent:** **\*\* Oct. 12, 2021**

- (54) **FRAME MEMBER**
- (71) Applicant: **Stolle Machinery Company, LLC**,  
Centennial, CO (US)
- (72) Inventors: **Karl S. Fleischer**, Denver, CO (US);  
**Daniel A. Jansen**, Cincinnati, OH (US);  
**Russell Bauer**, West Chester, OH (US);  
**Peter Frans Corssmit**, Centennial, CO  
(US)
- (73) Assignee: **Stolle Machinery Company, LLC**,  
Centennial, CO (US)
- (\*\*) Term: **15 Years**
- (21) Appl. No.: **29/736,631**
- (22) Filed: **Jun. 2, 2020**
- (51) **LOC (13) Cl.** ..... **15-03**
- (52) **U.S. Cl.**  
USPC ..... **D15/33**
- (58) **Field of Classification Search**  
USPC ..... D15/10-33  
CPC ..... B21D 22/28; B30B 1/261; B30B 1/265;  
B30B 1/02; B30B 1/06; B30B 1/28;  
B30B 1/268; Y10S 100/918  
See application file for complete search history.

7,434,442 B2 \* 10/2008 Gombas ..... B21D 22/30  
72/347  
9,162,274 B2 \* 10/2015 An ..... B21D 51/26  
10,343,208 B2 7/2019 Fleischer et al.  
D867,402 S \* 11/2019 Durant ..... D15/27  
2020/0047237 A1 \* 2/2020 Scholey ..... B21D 51/26

**FOREIGN PATENT DOCUMENTS**

JP 2018-199162 A 12/2018

**OTHER PUBLICATIONS**

Japanese Patent Office, JP Patent Application No. 2020-024607  
Notice (Prior Art Search Report), dated Mar. 2, 2021, 2 pages and  
English translation of same.

\* cited by examiner

*Primary Examiner* — Mark A Goodwin

(74) *Attorney, Agent, or Firm* — Eckert Seamans Cherin  
& Mellott, LLC

(57) **CLAIM**

The ornamental design for a frame member, as shown and  
described.

**DESCRIPTION**

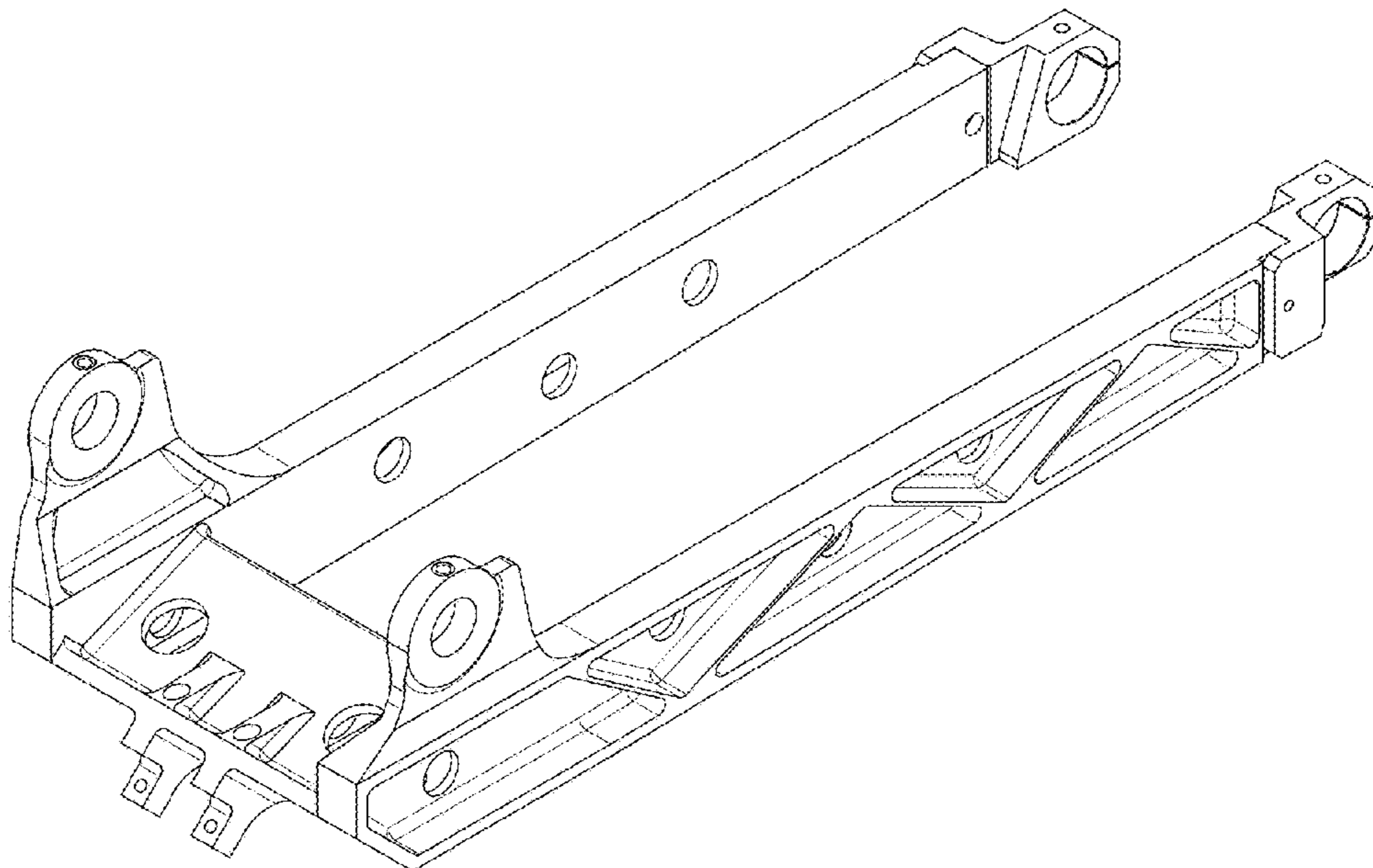
FIG. 1 is a top perspective view of the frame member;  
FIG. 2 is another top perspective view of the frame member;  
FIG. 3 is a bottom perspective view of the frame member;  
FIG. 4 is another bottom perspective view of the frame  
member;  
FIG. 5 is a top plan view of the frame member;  
FIG. 6 is a bottom plan view of the frame member;  
FIG. 7 is a side elevation view of the frame member;  
FIG. 8 is a front end elevation view of the frame member;  
and,  
FIG. 9 is a back end elevation view of the frame member.

**1 Claim, 7 Drawing Sheets**

(56) **References Cited**

**U.S. PATENT DOCUMENTS**

- D201,756 S \* 7/1965 Abbott ..... D15/33
- D236,526 S \* 8/1975 Ulve ..... D15/28
- 5,564,265 A \* 10/1996 Pitt ..... A01D 43/063  
56/202
- 6,305,279 B1 \* 10/2001 Telkamp ..... B30B 1/261  
100/193
- D466,135 S \* 11/2002 Spomer ..... D15/33
- D476,999 S \* 7/2003 Truan ..... D15/28



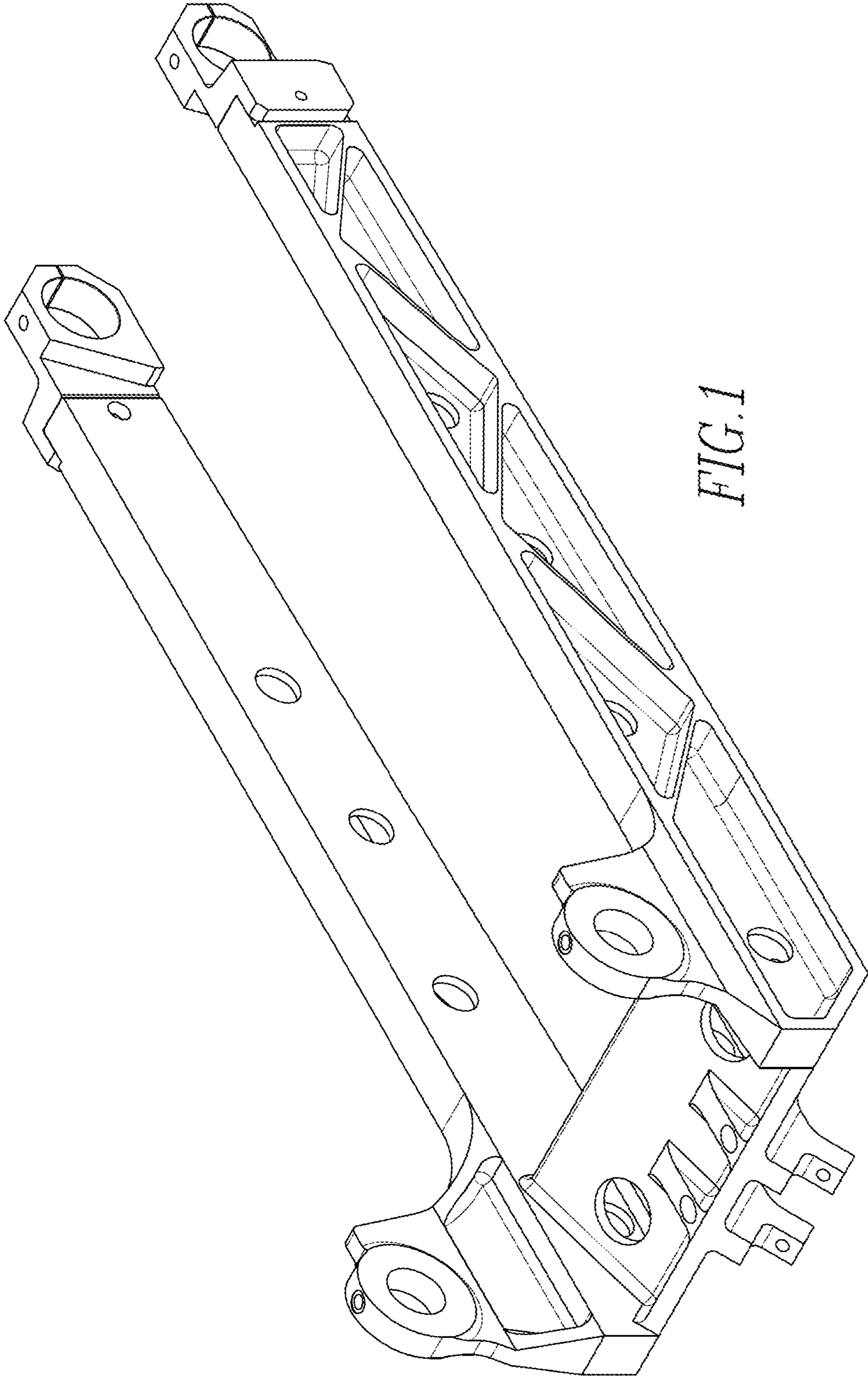


FIG. 1

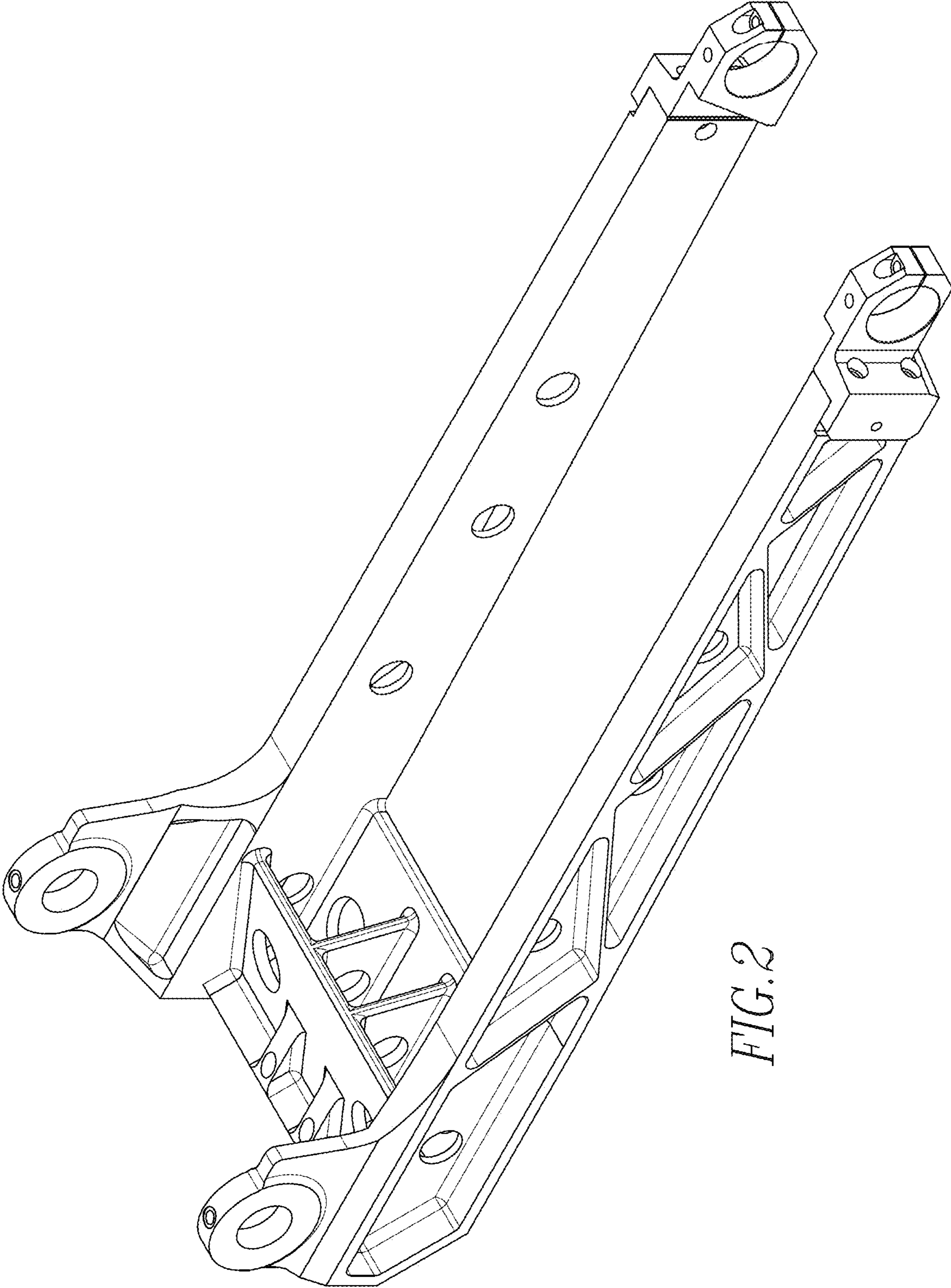


FIG. 2

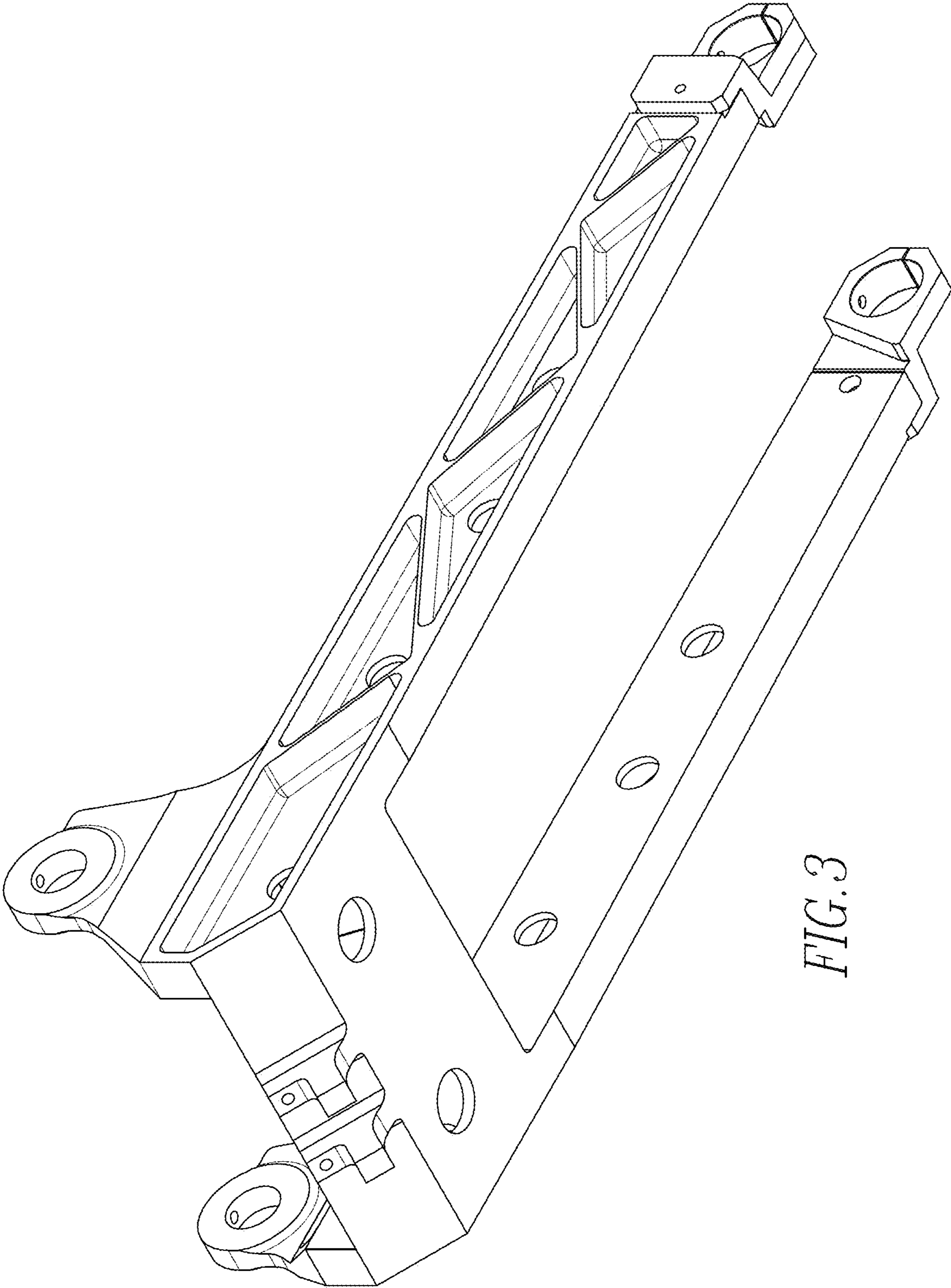


FIG. 3

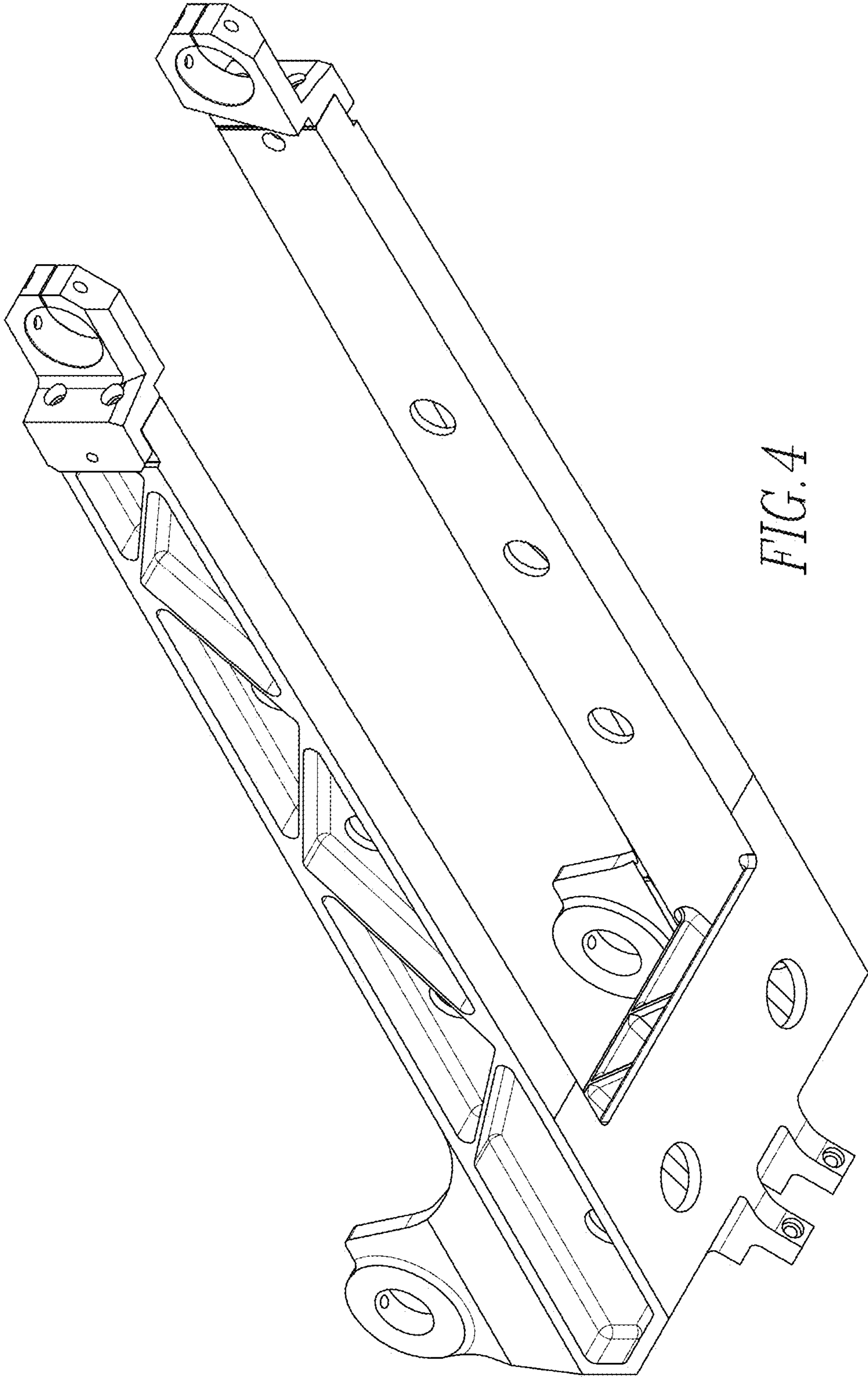


FIG. 4

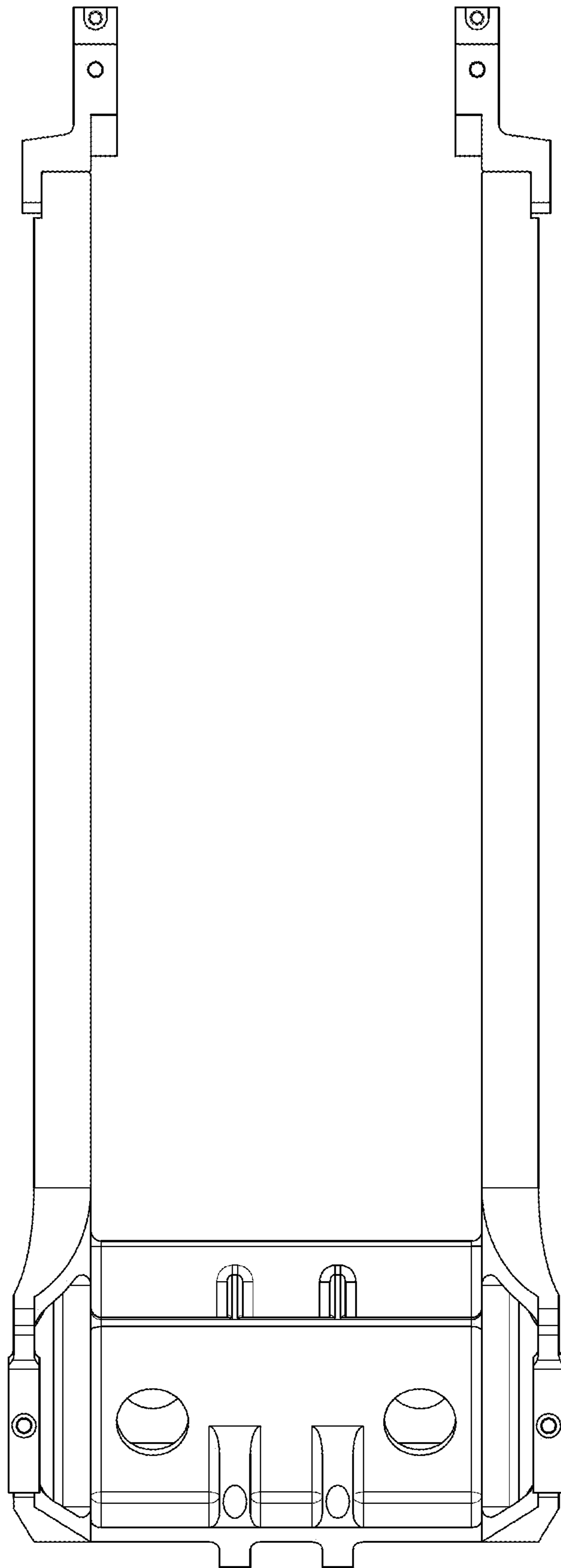


FIG. 5

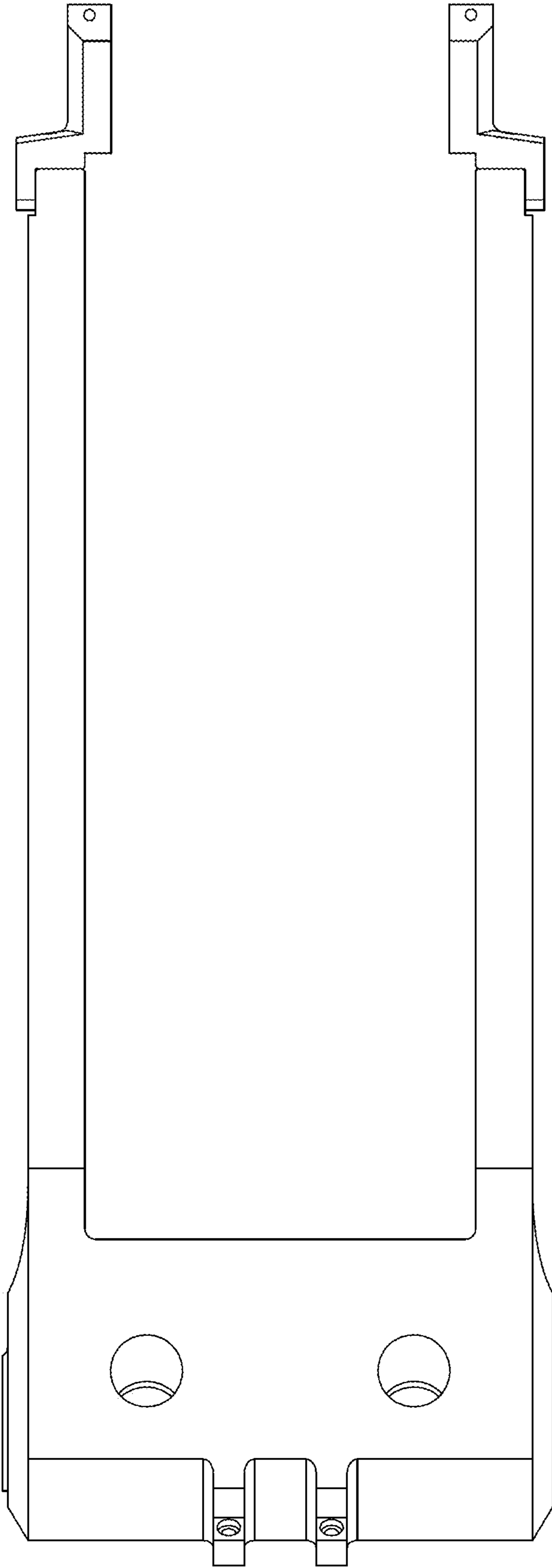


FIG. 6

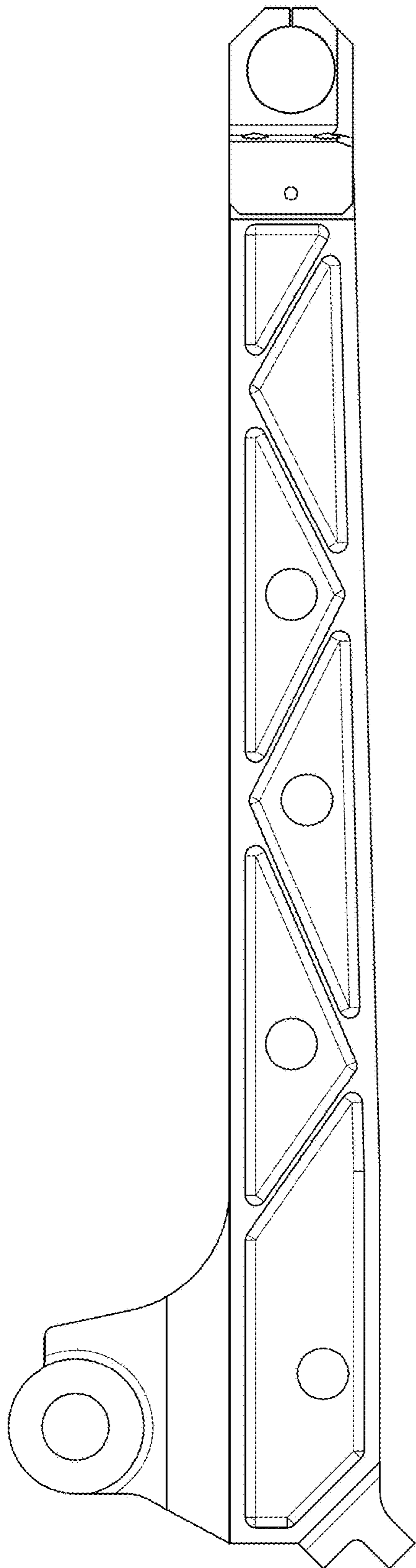


FIG. 7

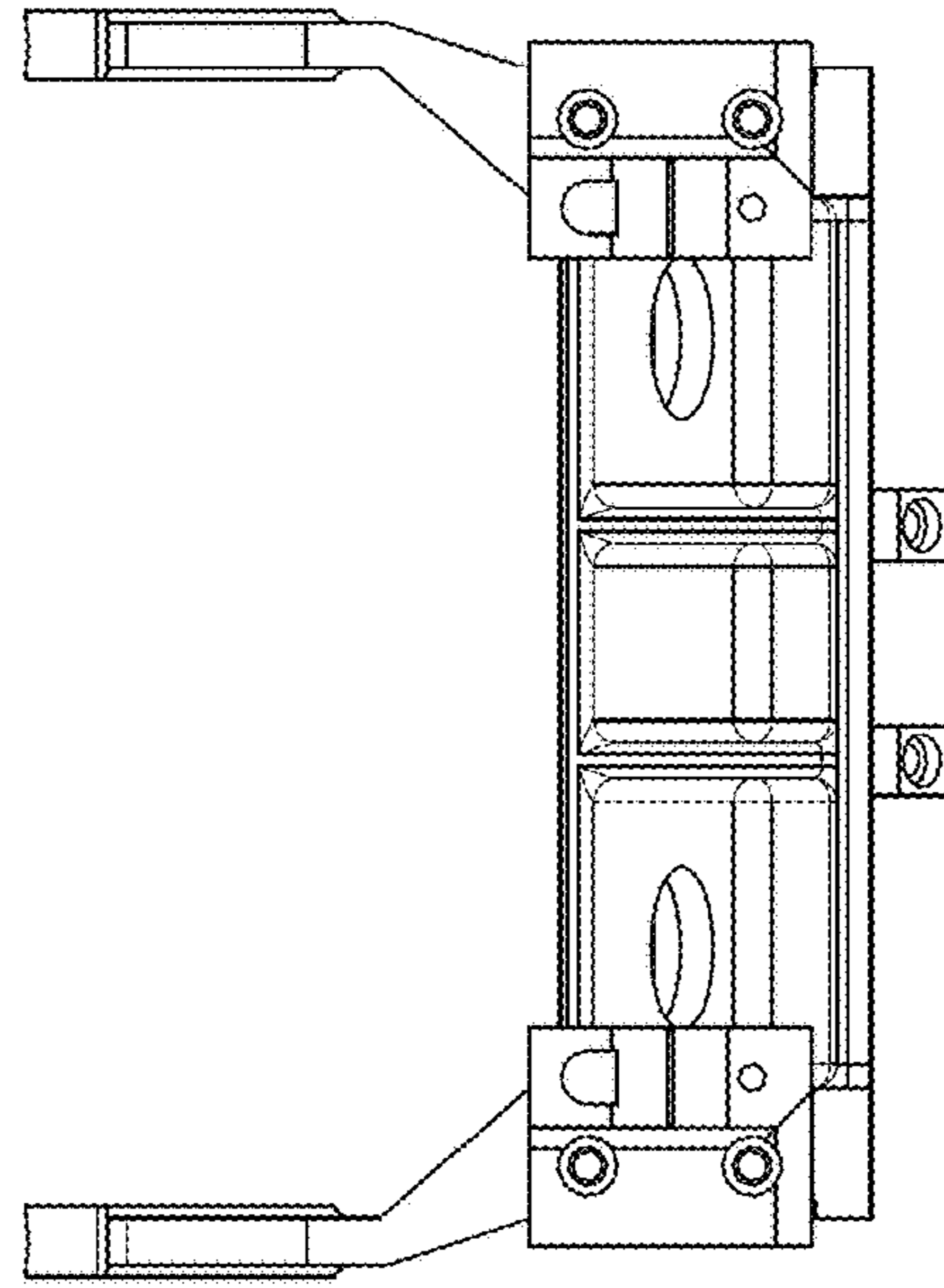


FIG. 9

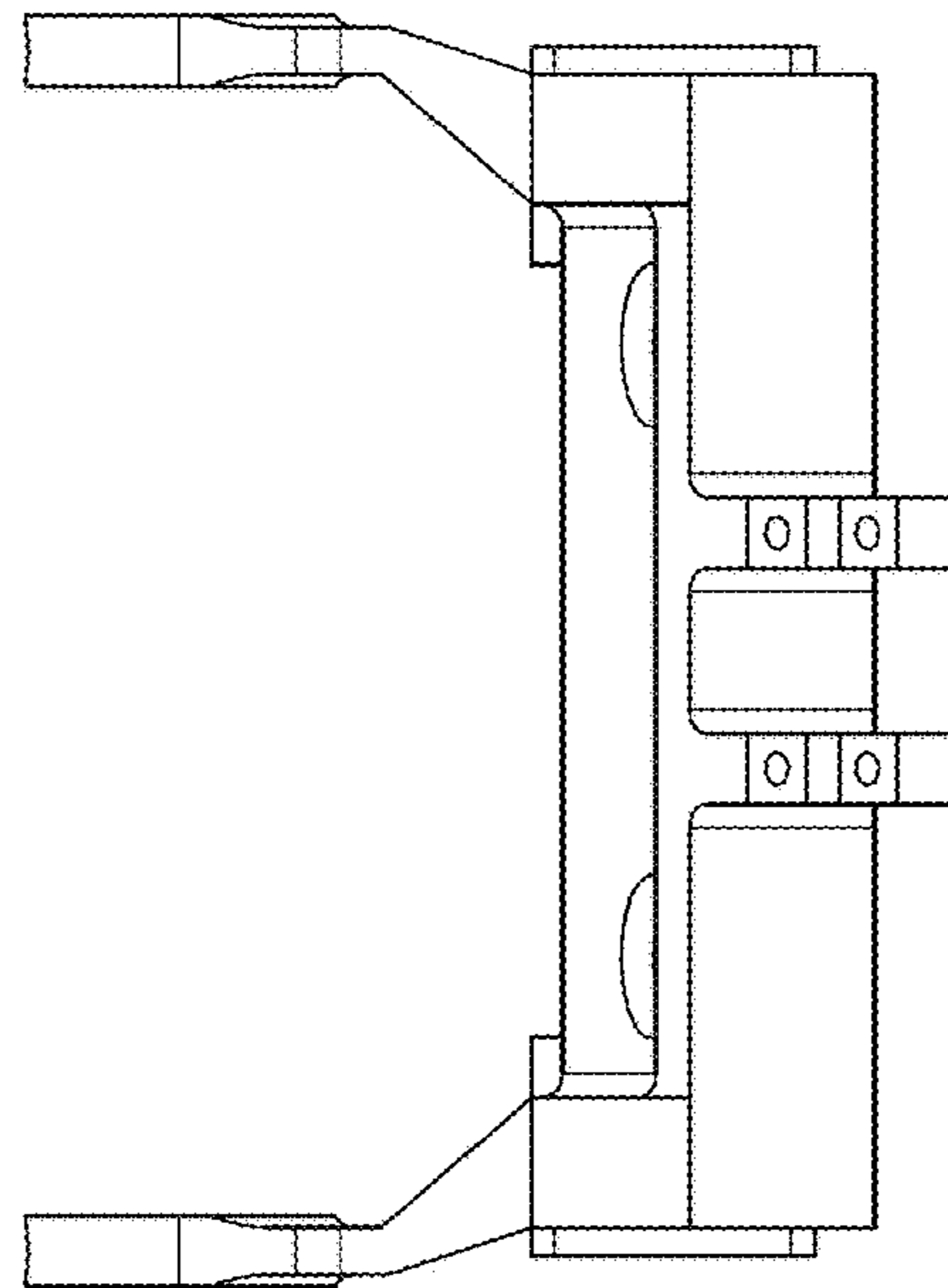


FIG. 8