



US00D933103S

(12) **United States Design Patent** (10) **Patent No.:** **US D933,103 S**  
**Heck et al.** (45) **Date of Patent:** **\*\* Oct. 12, 2021**

(54) **FOAM LID INSERT**  
(71) Applicant: **K&N Engineering, Inc.**, Riverside, CA (US)  
(72) Inventors: **Gilbert Heck**, Nuveo, CA (US); **Steve Williams**, Cherry Valley, CA (US)  
(73) Assignee: **K&N Engineering, Inc.**, Riverside, CA (US)  
(\*\*) Term: **15 Years**  
(21) Appl. No.: **29/724,981**  
(22) Filed: **Feb. 20, 2020**  
(51) **LOC (13) Cl.** ..... **15-01**  
(52) **U.S. Cl.**  
USPC ..... **D15/5**  
(58) **Field of Classification Search**  
USPC ..... D15/1, 2, 3, 4, 5; D23/365  
CPC ..... B60K 13/02; F02M 35/10013; F02M 35/0216; B01D 46/0005; B01D 46/0002  
See application file for complete search history.

2010/0269583 A1\* 10/2010 Jasnie ..... F02M 35/10013  
73/198  
2017/0028950 A1\* 2/2017 Keller ..... B60K 13/02  
2019/0383248 A1\* 12/2019 Bouchard ..... B60K 13/02  
2020/0080523 A1\* 3/2020 Driant ..... B60K 5/02  
2020/0130502 A1\* 4/2020 Wall ..... F02M 35/02433  
2020/0130608 A1\* 4/2020 Wiley ..... B60R 13/005  
2020/0171942 A1\* 6/2020 Evans ..... B62K 23/06

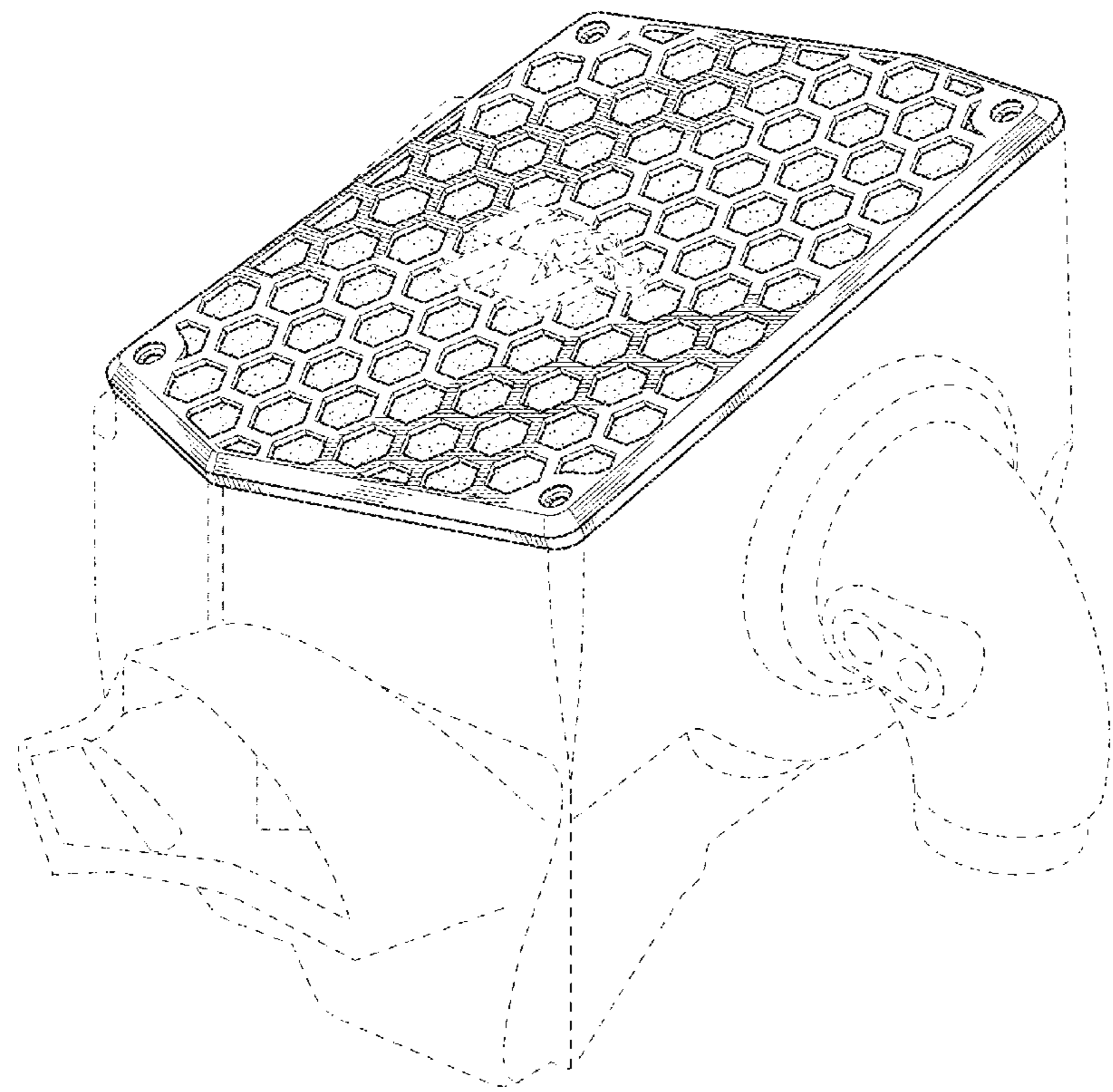
\* cited by examiner  
*Primary Examiner* — Ania Aman  
(74) *Attorney, Agent, or Firm* — Rutan & Tucker LLP;  
Hani Z. Sayed

(57) **CLAIM**  
The ornamental design for a foam lid insert, as shown and described.

**DESCRIPTION**  
FIG. 1 is a top, front, right side perspective view of the foam lid insert showing our new design;  
FIG. 2 is a front elevation view;  
FIG. 3 is a rear elevation view;  
FIG. 4 is a left side elevation view;  
FIG. 5 is a right side elevation view;  
FIG. 6 is a top plan view;  
FIG. 7 is a bottom plan view; and,  
FIG. 8 is an exploded top, front, right side exploded perspective view.  
The broken lines shown in the figures depict environmental subject matter only and form no part of the claimed design.

(56) **References Cited**  
U.S. PATENT DOCUMENTS  
D282,484 S \* 2/1986 Armbruster ..... D23/365  
D402,356 S \* 12/1998 Hodge ..... D23/365  
D759,227 S \* 6/2016 Lofy ..... D23/370  
D829,316 S \* 9/2018 Kim ..... D23/365  
2007/0245700 A1\* 10/2007 Zhu ..... B01D 46/0036  
55/418

**1 Claim, 5 Drawing Sheets**



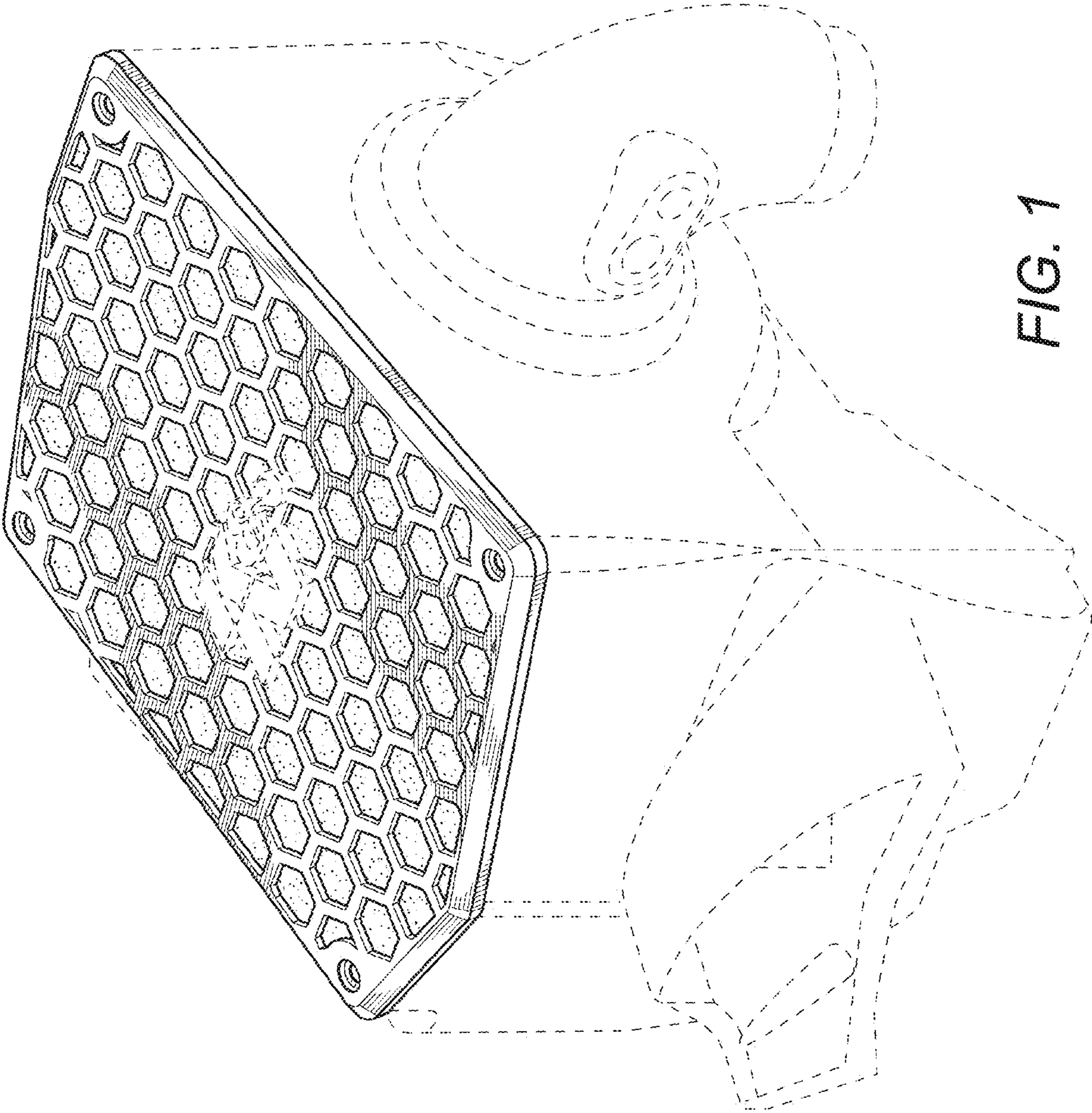


FIG. 1



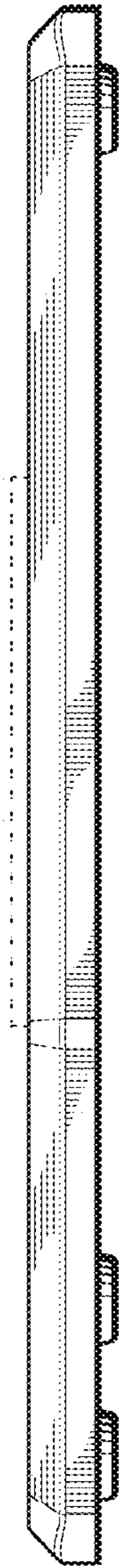


FIG. 2

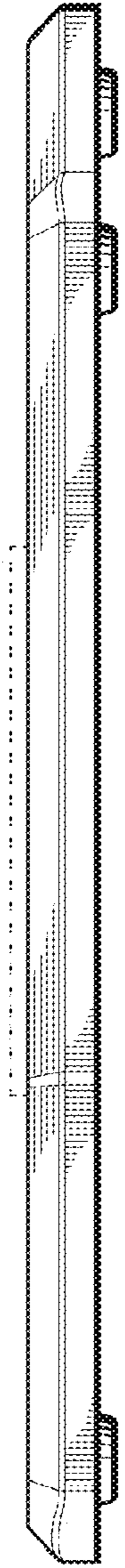


FIG. 3

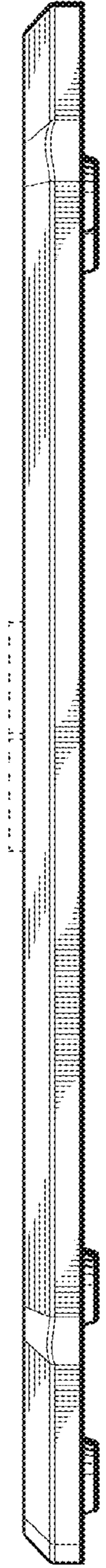


FIG. 4

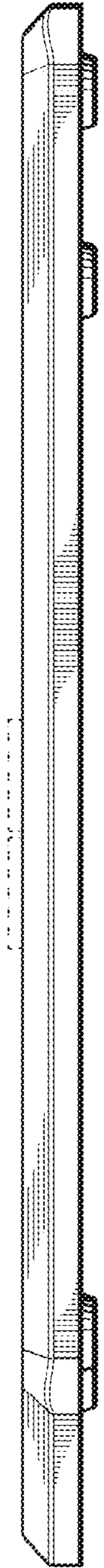


FIG. 5

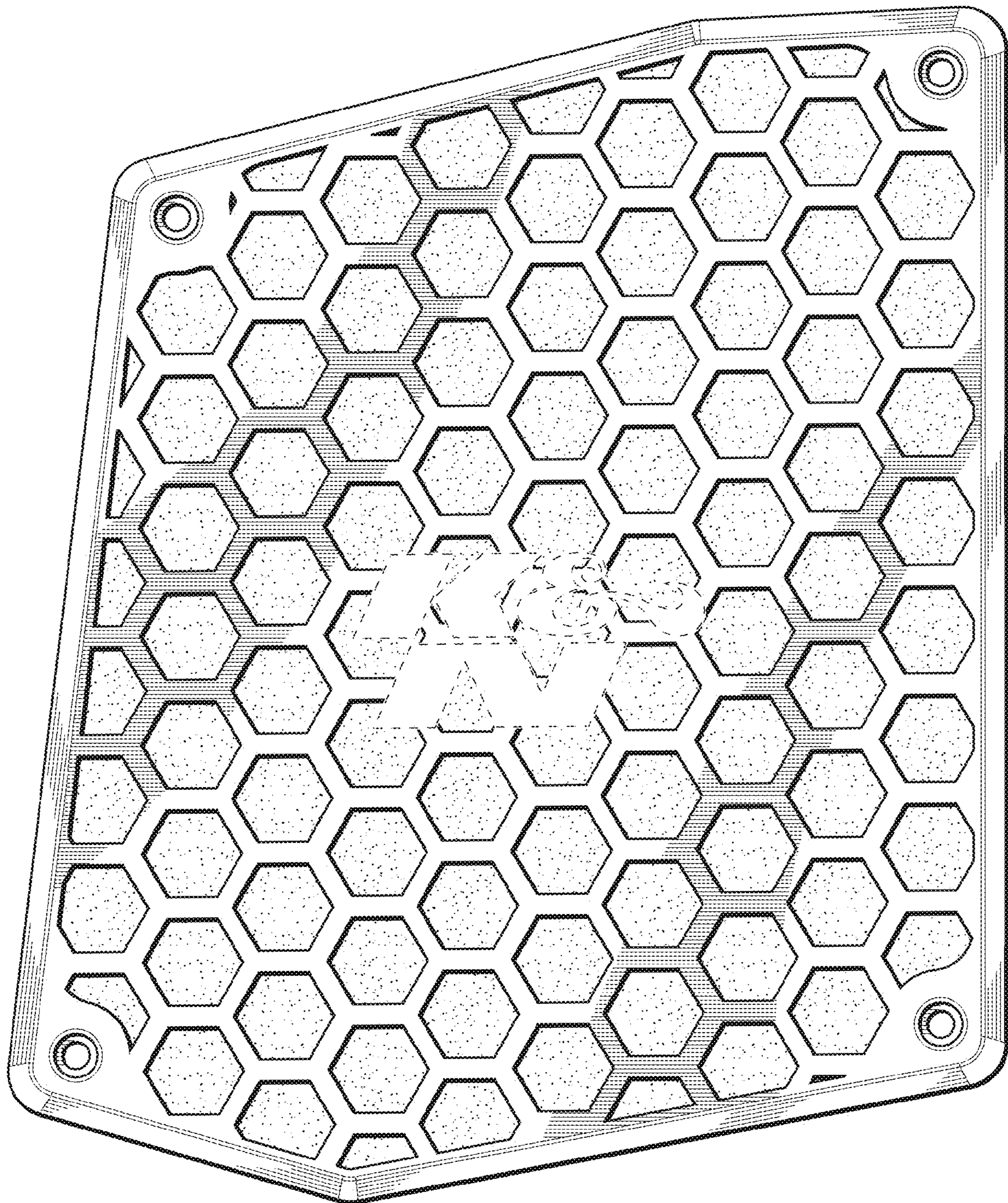


FIG. 6



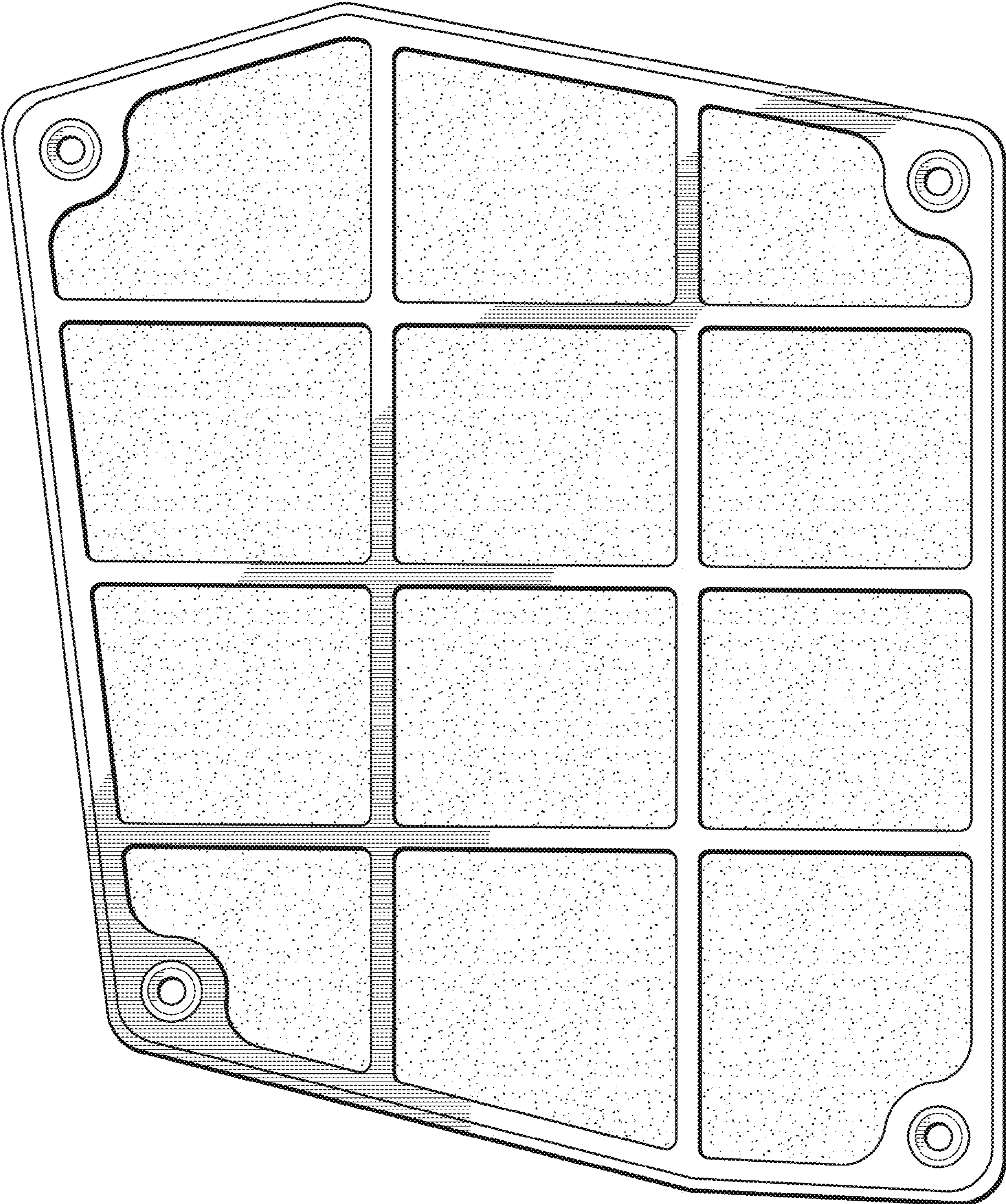


FIG. 7

FIG. 8

