



US00D933102S

(12) **United States Design Patent** (10) **Patent No.:** **US D933,102 S**
Heck et al. (45) **Date of Patent:** **** Oct. 12, 2021**

(54) **FOAM LID INSERT**
(71) Applicant: **K&N Engineering, Inc.**, Riverside, CA (US)
(72) Inventors: **Gilbert Heck**, Nuveo, CA (US); **Steve Williams**, Cherry Valley, CA (US)
(73) Assignee: **K&N Engineering, Inc.**, Riverside, CA (US)
(**) Term: **15 Years**
(21) Appl. No.: **29/724,978**
(22) Filed: **Feb. 20, 2020**
(51) **LOC (13) Cl.** **15-01**
(52) **U.S. Cl.**
USPC **D15/5**
(58) **Field of Classification Search**
USPC D15/1, 2, 3, 4, 5; D23/365
CPC B60K 13/02; F02M 35/10013; F02M 35/0216; B01D 46/0005; B01D 46/0002
See application file for complete search history.

2010/0269583 A1* 10/2010 Jasnie F02M 35/10013
73/198
2017/0028950 A1* 2/2017 Keller B60K 13/02
2019/0383248 A1* 12/2019 Bouchard B60K 13/02
2020/0080523 A1* 3/2020 Driant B60K 5/02
2020/0130502 A1* 4/2020 Wall F02M 35/02433
2020/0130608 A1* 4/2020 Wiley B60R 13/005
2020/0171942 A1* 6/2020 Evans B62K 23/06

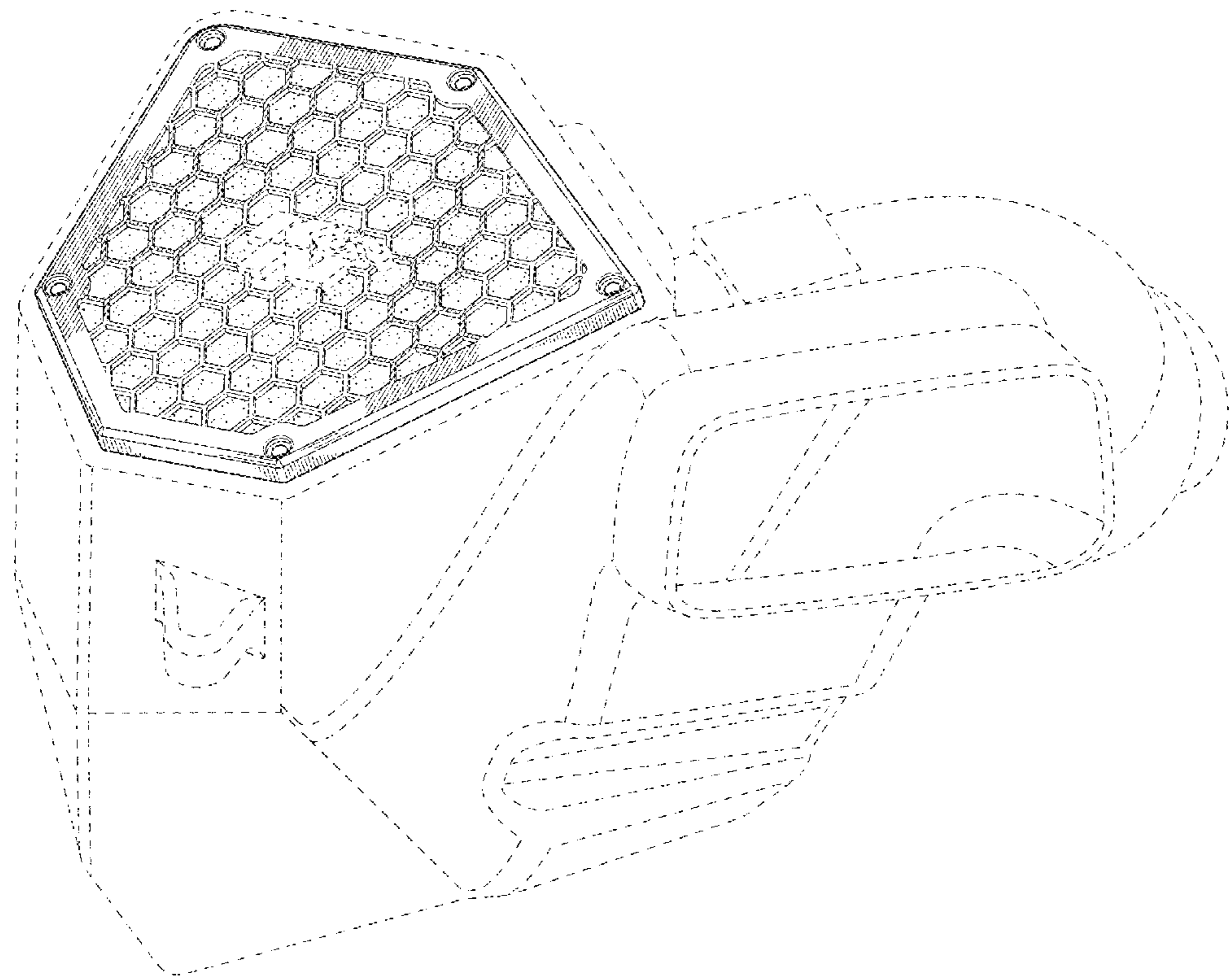
* cited by examiner
Primary Examiner — Ania Aman
(74) *Attorney, Agent, or Firm* — Rutan & Tucker LLP;
Hani Z. Sayed

(57) **CLAIM**
The ornamental design for a foam lid insert, as shown and described.

DESCRIPTION
FIG. 1 is a top, front, right side perspective view of the foam lid insert showing our new design;
FIG. 2 is a front elevation view;
FIG. 3 is a rear elevation view;
FIG. 4 is a left side elevation view;
FIG. 5 is a right side elevation view;
FIG. 6 is a top plan view;
FIG. 7 is a bottom plan view; and,
FIG. 8 is an exploded top, front, right side exploded perspective view.
The broken lines shown in the figures depict environmental subject matter only and form no part of the claimed design.

(56) **References Cited**
U.S. PATENT DOCUMENTS
D282,484 S * 2/1986 Armbruster D23/365
D402,356 S * 12/1998 Hodge D23/365
D759,227 S * 6/2016 Lofy D23/370
D829,316 S * 9/2018 Kim D23/365
2007/0245700 A1* 10/2007 Zhu B01D 46/0036
55/418

1 Claim, 5 Drawing Sheets



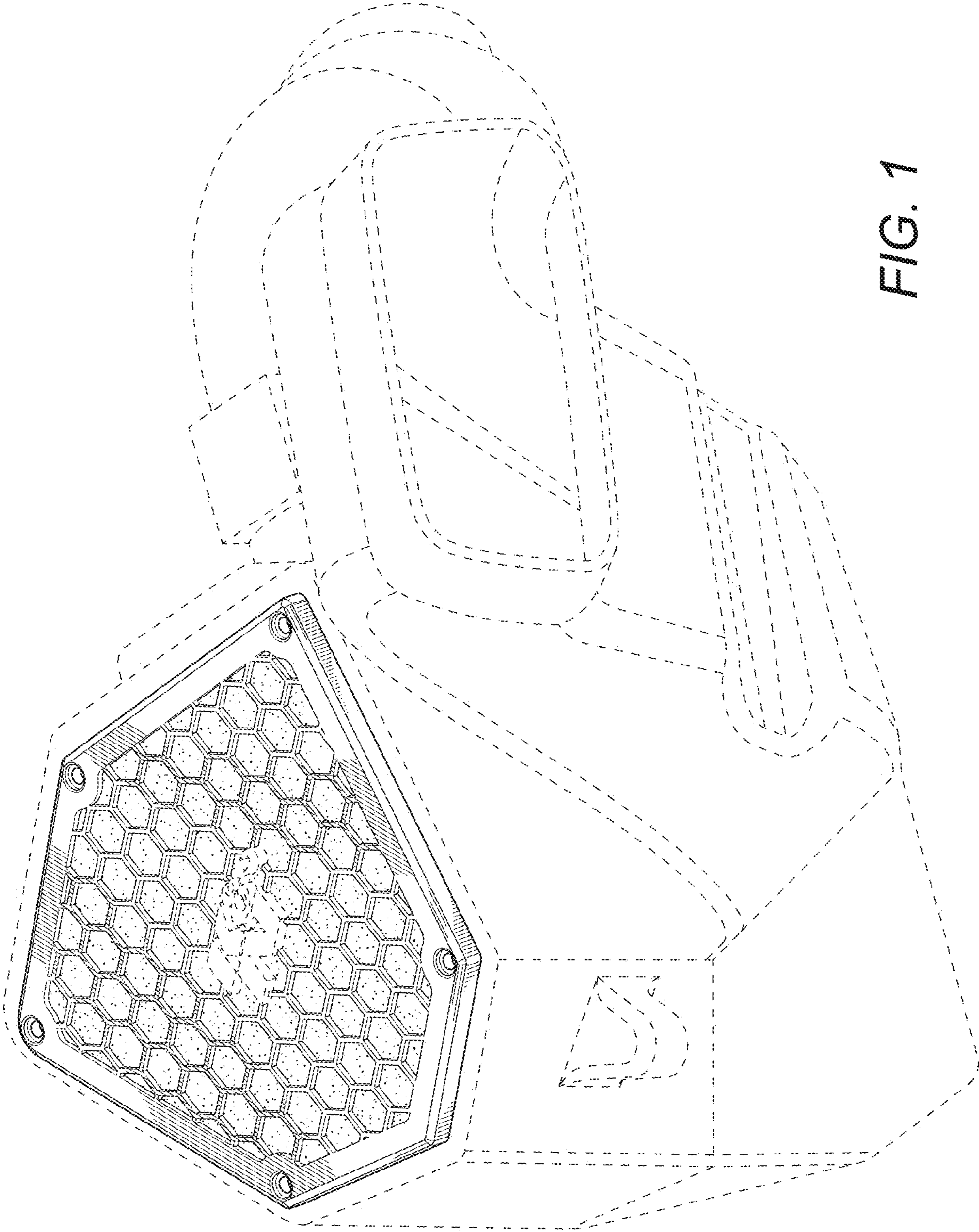


FIG. 1

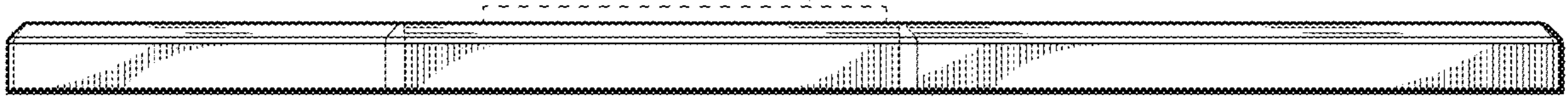


FIG. 2

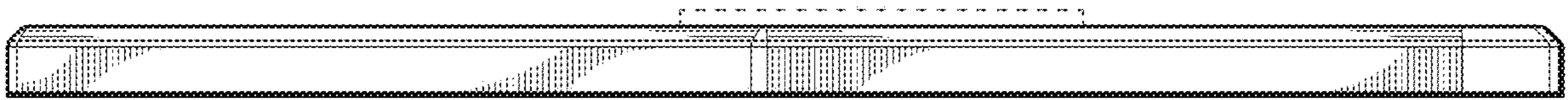


FIG. 3

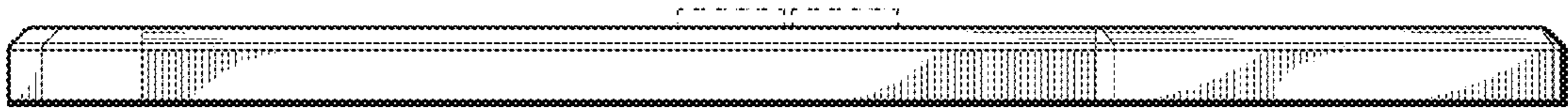


FIG. 4

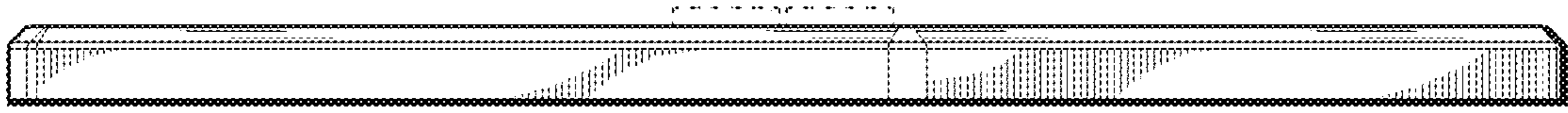


FIG. 5

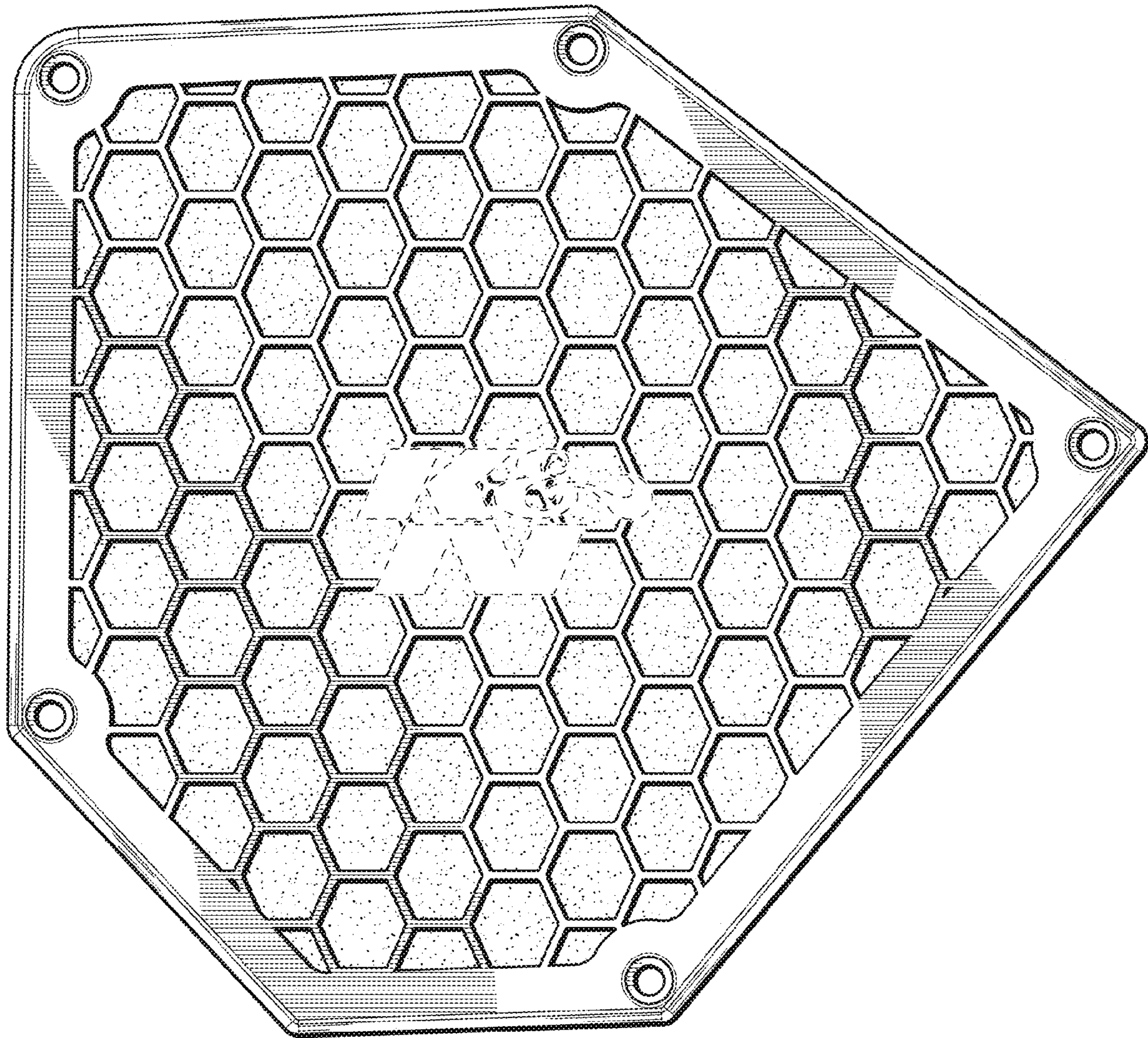


FIG. 6

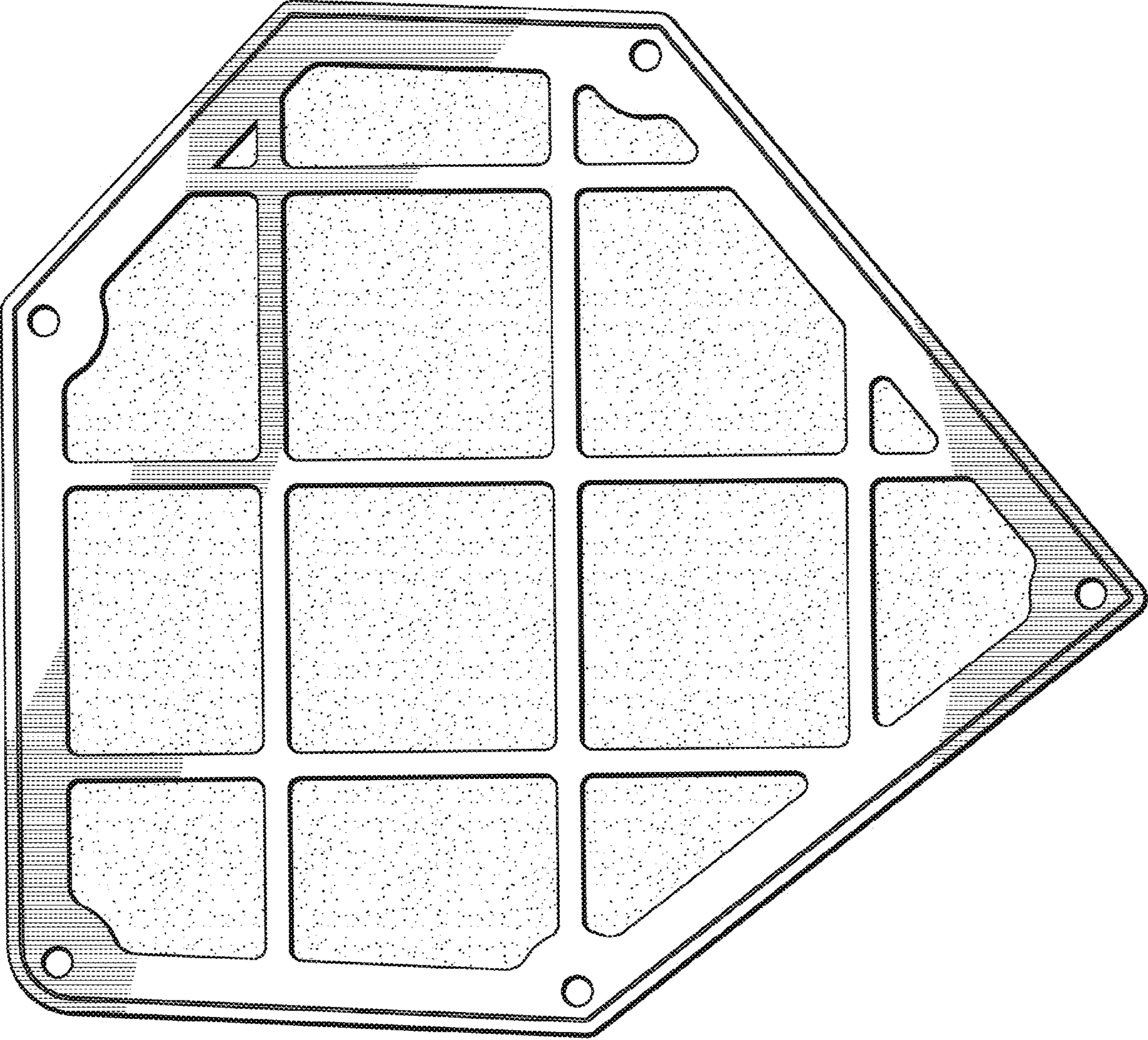


FIG. 7

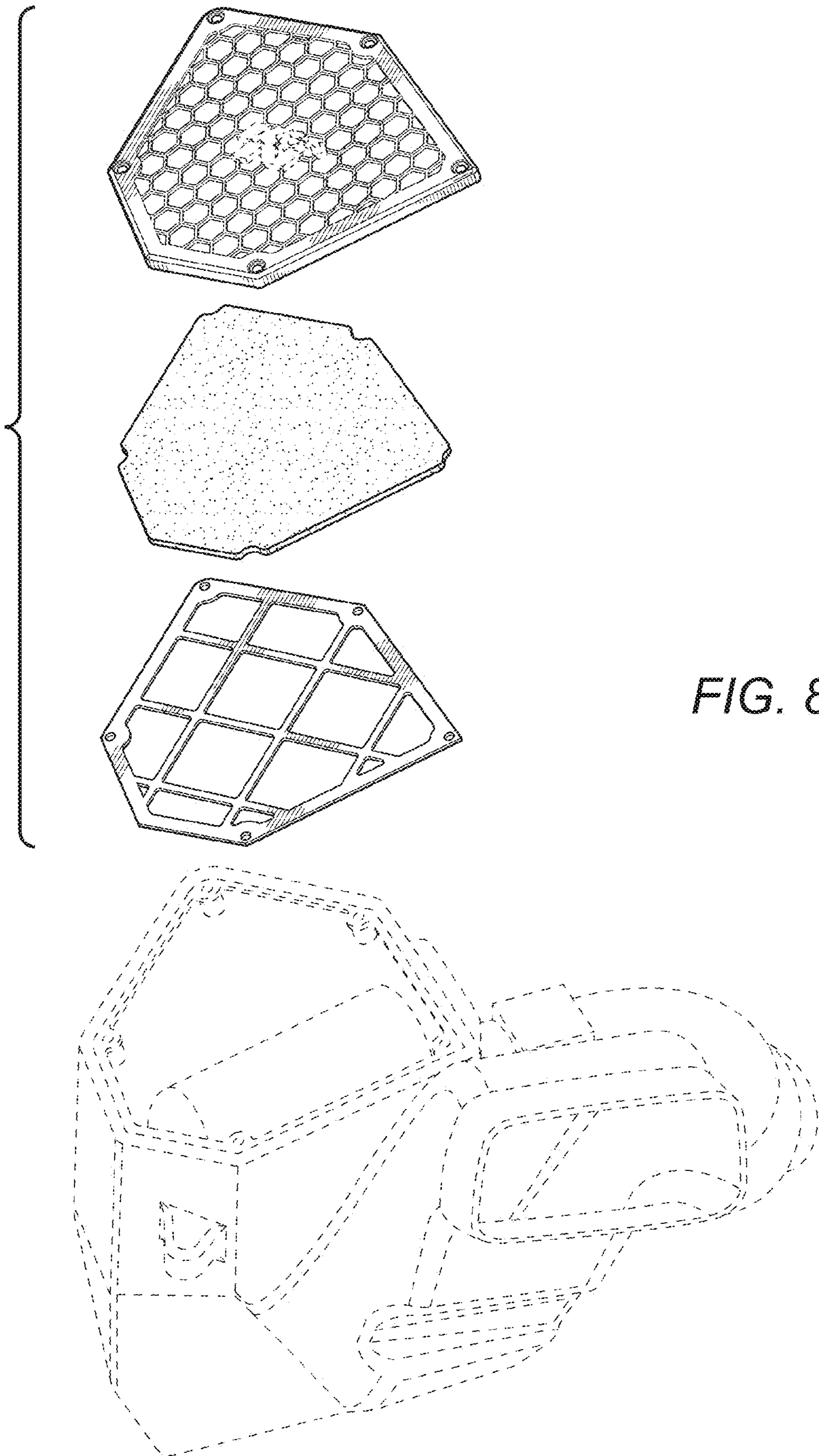


FIG. 8