



US00D933079S

(12) **United States Design Patent** (10) **Patent No.:** **US D933,079 S**
Baber et al. (45) **Date of Patent:** **** Oct. 12, 2021**

(54) **DISPLAY SCREEN WITH ANIMATED GRAPHICAL USER INTERFACE**

(71) Applicant: **Microsoft Corporation**, Redmond, WA (US)

(72) Inventors: **Joshua Baber**, Seattle, WA (US); **Anthony Neil Dart**, Sammamish, WA (US); **March Rogers**, Bellevue, WA (US); **Eduardo Sonnino**, Vancouver (CA)

(73) Assignee: **Microsoft Corporation**, Redmond, WA (US)

(**) Term: **15 Years**

(21) Appl. No.: **29/661,075**

(22) Filed: **Aug. 24, 2018**

(51) **LOC (13) Cl.** **14-04**

(52) **U.S. Cl.**
USPC **D14/485; D14/488**

(58) **Field of Classification Search**
USPC **D14/485-495**

(Continued)

(56) **References Cited**

U.S. PATENT DOCUMENTS

D549,730 S 8/2007 O'Donnell et al.
D555,663 S 11/2007 Nagata et al.

(Continued)

OTHER PUBLICATIONS

Vertical UIScrollView?, by mlichwa, response by rob mayoff dated to Feb. 21, 2012, stackoverflow.com [online]. Retrieved May 22, 2021 from internet <URL:https://stackoverflow.com/questions/9369034/vertical-uiscrollview> (Year: 2012).*

(Continued)

Primary Examiner — Andrew T Nemeth

(74) *Attorney, Agent, or Firm* — Banner & Witcoff, Ltd.

(57) **CLAIM**

The ornamental design for a display screen with animated graphical user interface, as shown and described.

DESCRIPTION

FIG. 1 is the first image in a sequence for a display screen with animated graphical user interface showing our new design;

FIG. 2 is the second image thereof;

FIG. 3 is the third image thereof;

FIG. 4 is the fourth image thereof;

FIG. 5 is the fifth image thereof;

FIG. 6 is the sixth image thereof;

FIG. 7 is the first image in a sequence for a display screen with animated graphical user interface showing a second embodiment thereof;

FIG. 8 is the second image thereof;

FIG. 9 is the third image thereof;

FIG. 10 is the fourth image thereof;

FIG. 11 is the fifth image thereof;

FIG. 12 is the sixth image thereof;

FIG. 13 is the seventh image thereof;

FIG. 14 is the first image in a sequence for a display screen with animated graphical user interface showing a third embodiment thereof;

FIG. 15 is the second image thereof;

FIG. 16 is the third image thereof;

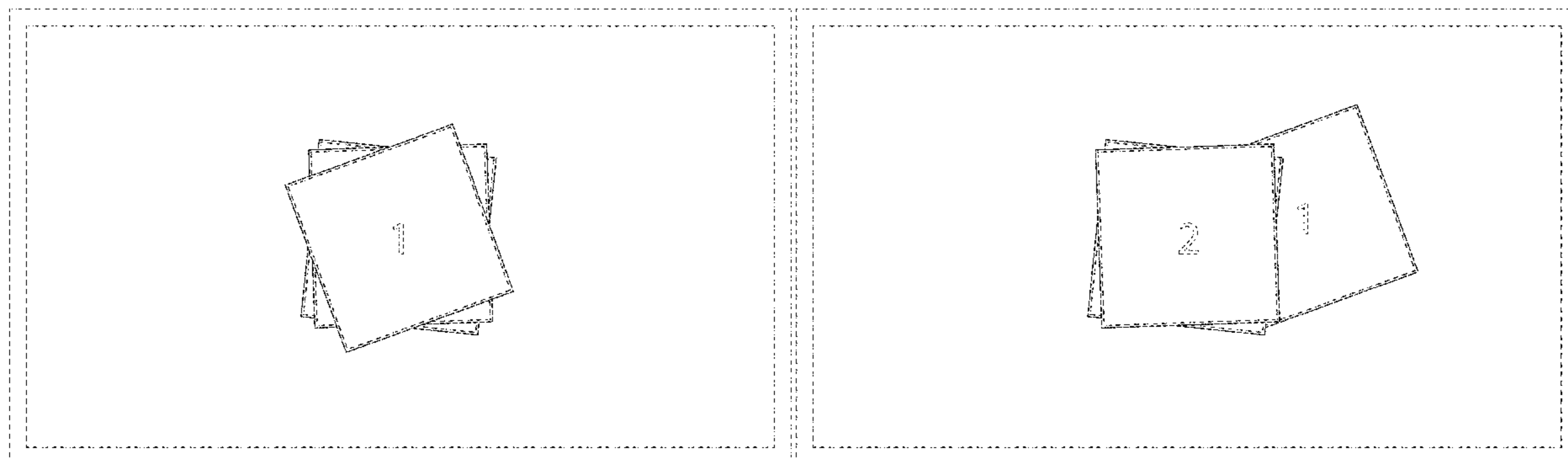
FIG. 17 is the fourth image thereof;

FIG. 18 is the fifth image thereof; and,

FIG. 19 is the sixth image thereof.

The appearance of the animated graphical user interface sequentially transitions between the images shown in FIGS. 1-6, 7-13, and 14-19. The process or period in which one image transitions to another forms no part of the claimed design. The broken-line showing of the text, display screen, and the remainder of the graphical user interface illustrate portions of the display screen with animated graphical user interface and forms no part of the claimed design.

1 Claim, 19 Drawing Sheets



(58) **Field of Classification Search**
 CPC G06F 3/048-04897
 See application file for complete search history.

(56) **References Cited**

U.S. PATENT DOCUMENTS

D559,855 S 1/2008 Sato et al.
 D568,892 S 5/2008 Stabb et al.
 D594,021 S 6/2009 Ball et al.
 D594,026 S 6/2009 Ball et al.
 D598,466 S 8/2009 Hirsch et al.
 D598,928 S 8/2009 Hirsch et al.
 D599,370 S 9/2009 Murchie et al.
 D603,421 S 11/2009 Ebeling et al.
 D604,325 S 11/2009 Ebeling et al.
 D605,200 S 12/2009 Sakai
 D611,486 S 3/2010 Hirsch et al.
 D612,391 S 3/2010 Fletcher et al.
 D615,989 S 5/2010 Chaudhri
 D619,145 S 7/2010 Ebeling et al.
 D624,558 S 9/2010 Barcheck et al.
 D640,266 S 6/2011 Furuya et al.
 D645,876 S 9/2011 Cavanaugh et al.
 D659,707 S 5/2012 David et al.
 8,209,628 B1 6/2012 Davidson
 D663,311 S 7/2012 David et al.
 D663,312 S 7/2012 David et al.
 D663,313 S 7/2012 David et al.
 D663,314 S 7/2012 David et al.
 D665,395 S 8/2012 Lee et al.
 D670,715 S 11/2012 Majeed et al.
 8,429,530 B2 4/2013 Neuman et al.
 D682,262 S 5/2013 Akana et al.
 D687,446 S 8/2013 Arnold et al.
 D695,776 S 12/2013 Edwards et al.
 D699,752 S 2/2014 Edwards et al.
 D700,209 S 2/2014 Tanghe et al.
 D701,503 S 3/2014 Akana et al.
 8,698,762 B2 4/2014 Wagner et al.
 D710,879 S 8/2014 Elston et al.
 D712,432 S 9/2014 Chaudhri
 D715,831 S 10/2014 Kim
 D726,759 S 4/2015 Brinda et al.
 D737,831 S 9/2015 Lee
 D738,903 S 9/2015 Lee
 D743,434 S 11/2015 Chaudhri
 D746,834 S 1/2016 Gray et al.
 9,244,601 B2 * 1/2016 Kim G06F 3/0414
 D752,645 S 3/2016 Lee et al.
 D754,719 S 4/2016 Zha
 D755,814 S * 5/2016 Rad D14/486
 D759,666 S 6/2016 Kuhn et al.
 D760,726 S 7/2016 Wang et al.
 D765,135 S 8/2016 Steg
 D765,665 S 9/2016 Tamura et al.
 D771,118 S 11/2016 Yao et al.
 D774,051 S 12/2016 Hart et al.
 D777,185 S 1/2017 Kwak et al.

D781,334 S * 3/2017 Rad D14/486
 D783,670 S 4/2017 Gomez et al.
 D785,643 S * 5/2017 Bao D14/485
 D802,606 S 11/2017 Bauducco et al.
 D803,869 S 11/2017 Kuhn et al.
 D806,740 S * 1/2018 Sutherland D14/488
 D807,898 S * 1/2018 Memoria D14/485
 D815,666 S * 4/2018 Burns D14/488
 D830,379 S 10/2018 Li et al.
 D830,390 S 10/2018 Xie et al.
 D830,395 S * 10/2018 Phillips D14/486
 D832,281 S 10/2018 Kagatsume et al.
 D842,330 S 3/2019 Yao et al.
 D846,578 S 4/2019 Keslin et al.
 D857,739 S 8/2019 Alonso Ruiz et al.
 D875,131 S 2/2020 Lee
 D895,664 S 9/2020 Baber et al.
 D915,451 S * 4/2021 Baber D14/488
 2009/0183107 A1 7/2009 Matthews et al.
 2009/0327939 A1 * 12/2009 Johns G11B 27/34
 715/765
 2010/0099456 A1 4/2010 Kim
 2011/0126156 A1 * 5/2011 Krishnaraj G06F 3/04842
 715/828
 2012/0151415 A1 * 6/2012 Park G06F 3/017
 715/835
 2012/0210200 A1 * 8/2012 Berger G06F 3/0481
 715/202
 2013/0047115 A1 * 2/2013 Migos G06F 3/0484
 715/776
 2015/0200985 A1 7/2015 Feldman et al.
 2016/0253086 A1 9/2016 Jiang et al.
 2016/0274733 A1 9/2016 Hasegawa et al.
 2017/0324841 A1 11/2017 Clement et al.
 2018/0336415 A1 11/2018 Anorga et al.
 2019/0171336 A1 * 6/2019 Hulick G06F 9/451
 2020/0053283 A1 2/2020 Li et al.

OTHER PUBLICATIONS

“Notice of Allowance Issued in U.S. Appl. No. 29/661,077”, dated Sep. 16, 2020, 6 Pages.
 “Ex-Parte Quayle Action Issued in U.S. Appl. No. 29/661,077”, Mailed Date: Jun. 26, 2020, 8 Pages.
 “Animated Shuffling of Child Components on Change”, Retrieved From: <https://reactjsexample.com/animated-shuffling-of-child-components-on-change/>, Mar. 24, 2018, 4 Pages.
 “Notice of Allowance Issued in U.S. Appl. No. 29/661,071”, dated May 13, 2020, 10 Pages.
 Hutchinson, Chris, “Animated Card Stacks”, Retrieved From: <https://www.w3tweaks.com/hand-picked-css-card-collections.html>, May 24, 2014, 3 Pages.
 Marcelino, Bruno, “Gestures Glamour: How to Set Up Swipeable Stacked Cards”, Retrieved From: https://www.outsystems.com/blog/posts/gestures_glamour_swipeable_stacked_cards/, Mar. 9, 2018, 5 Pages.

* cited by examiner

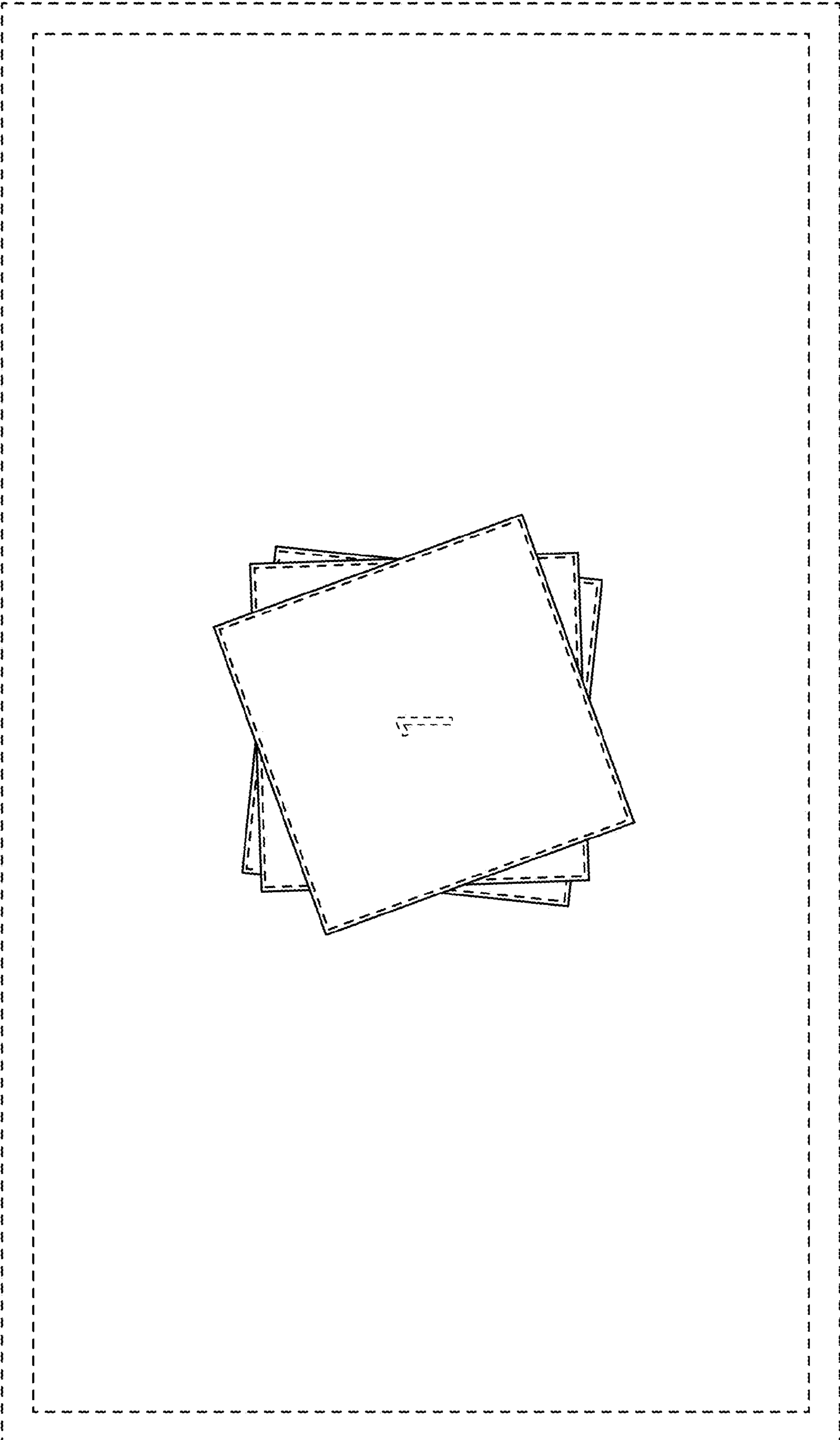


FIG. 1

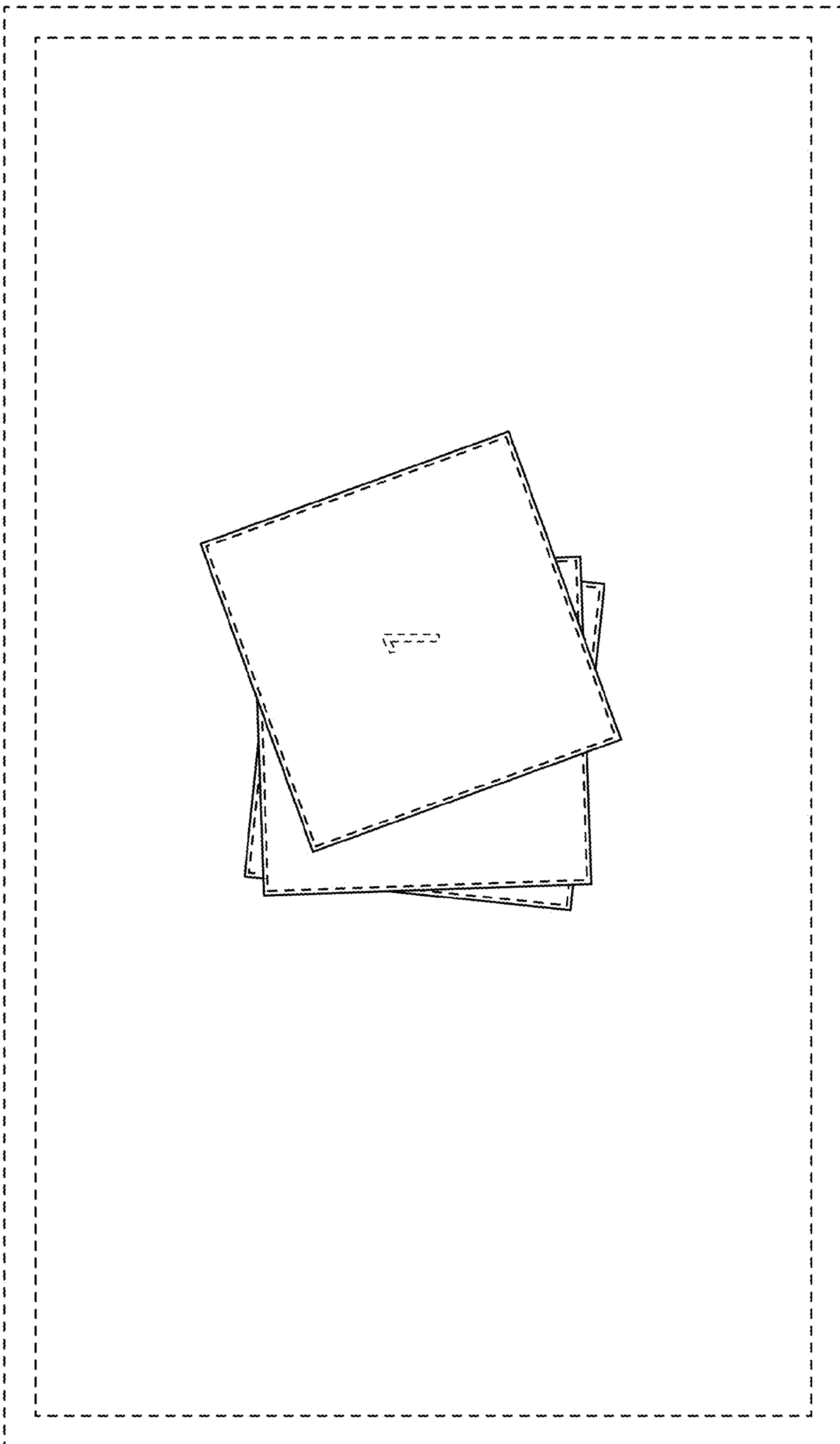


FIG. 2

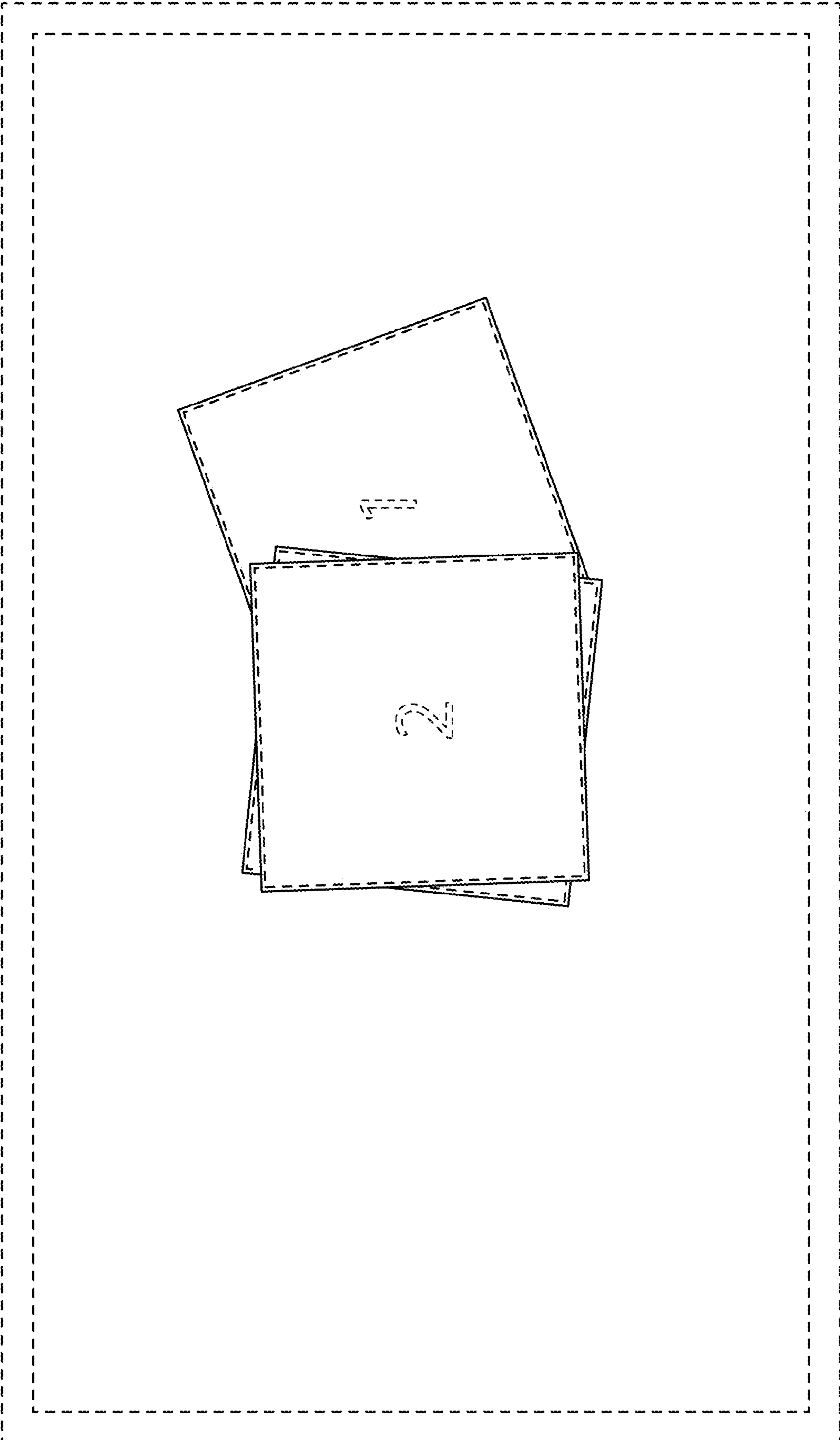


FIG. 3

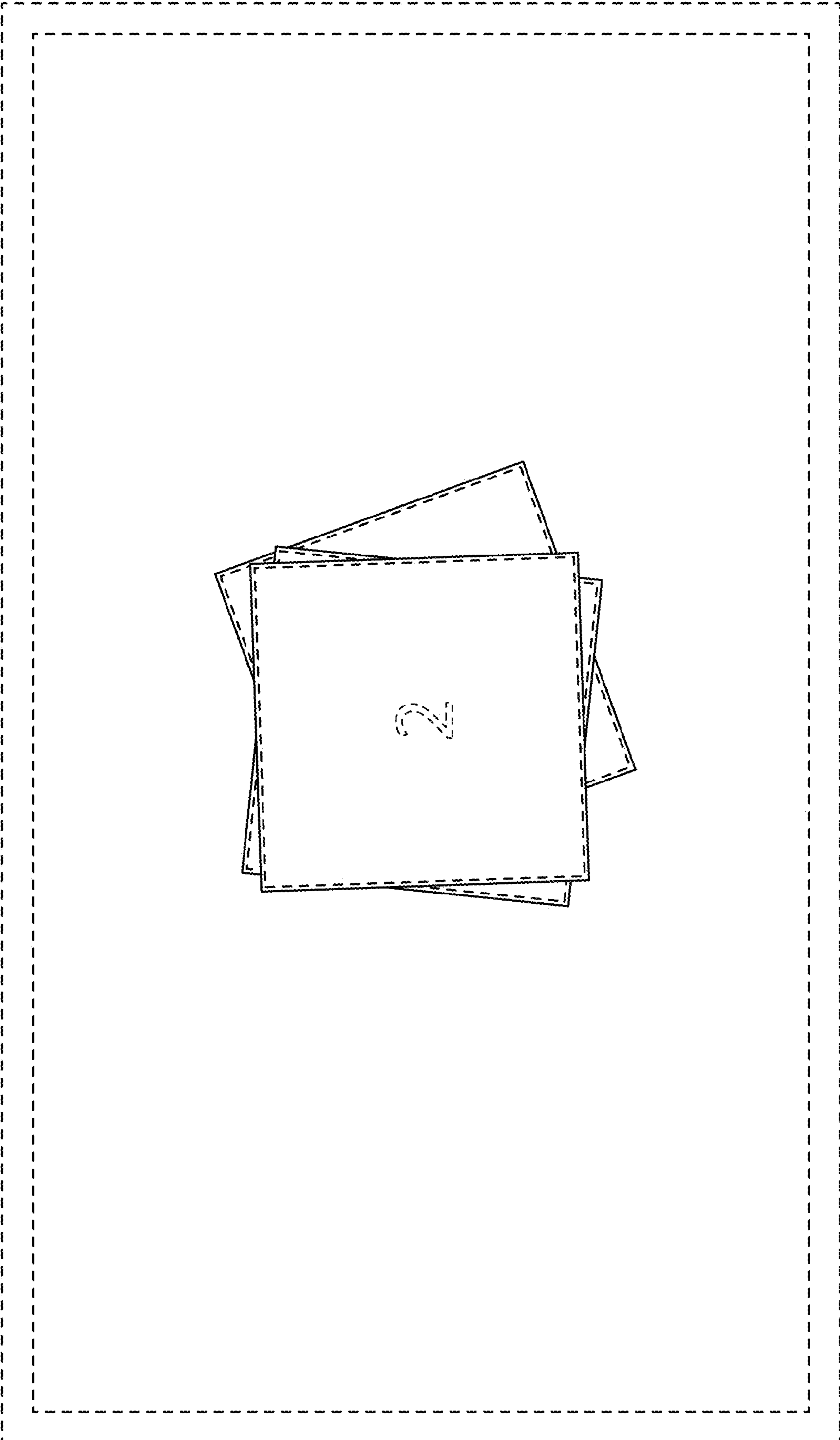


FIG. 4

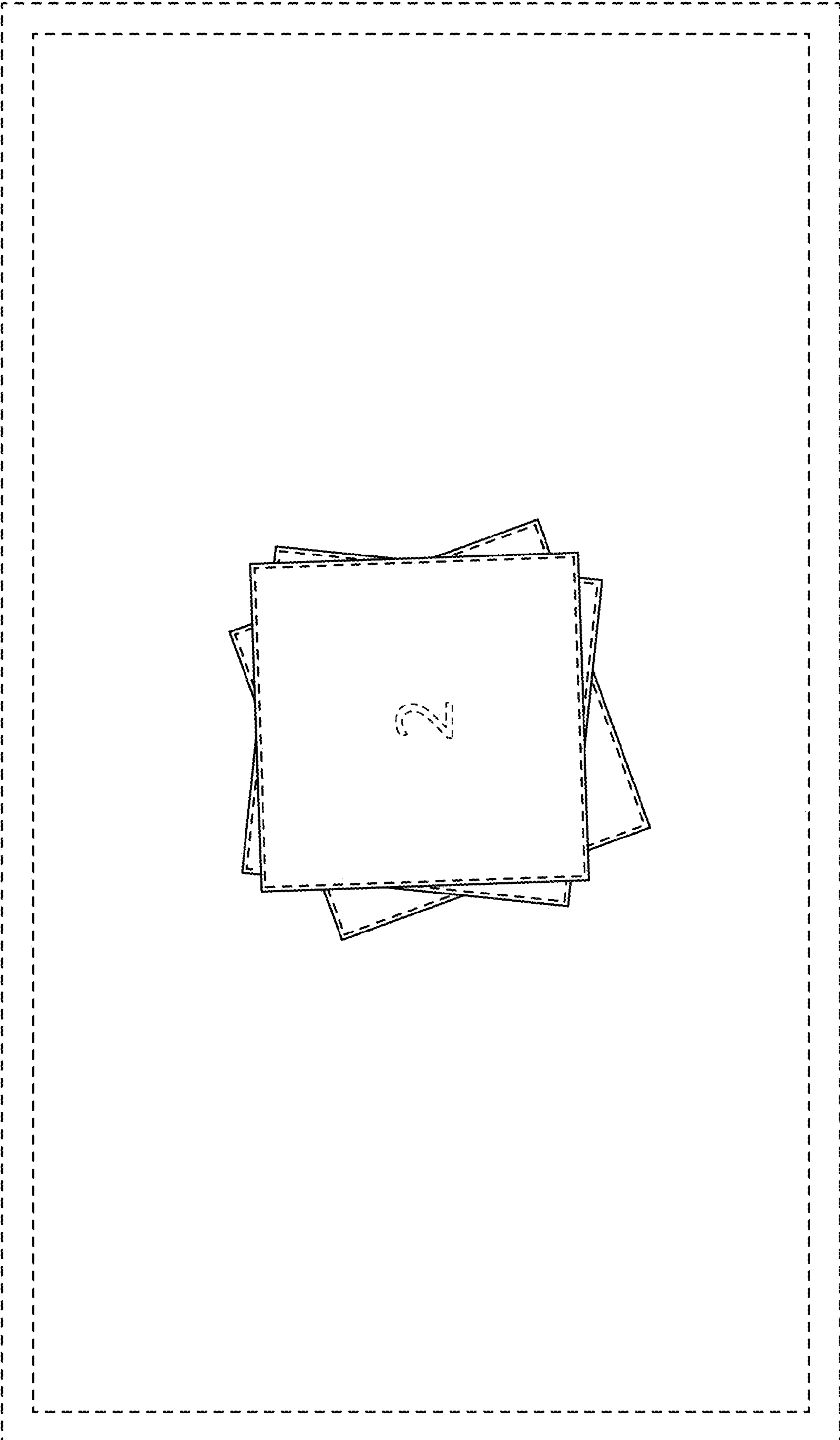


FIG. 5

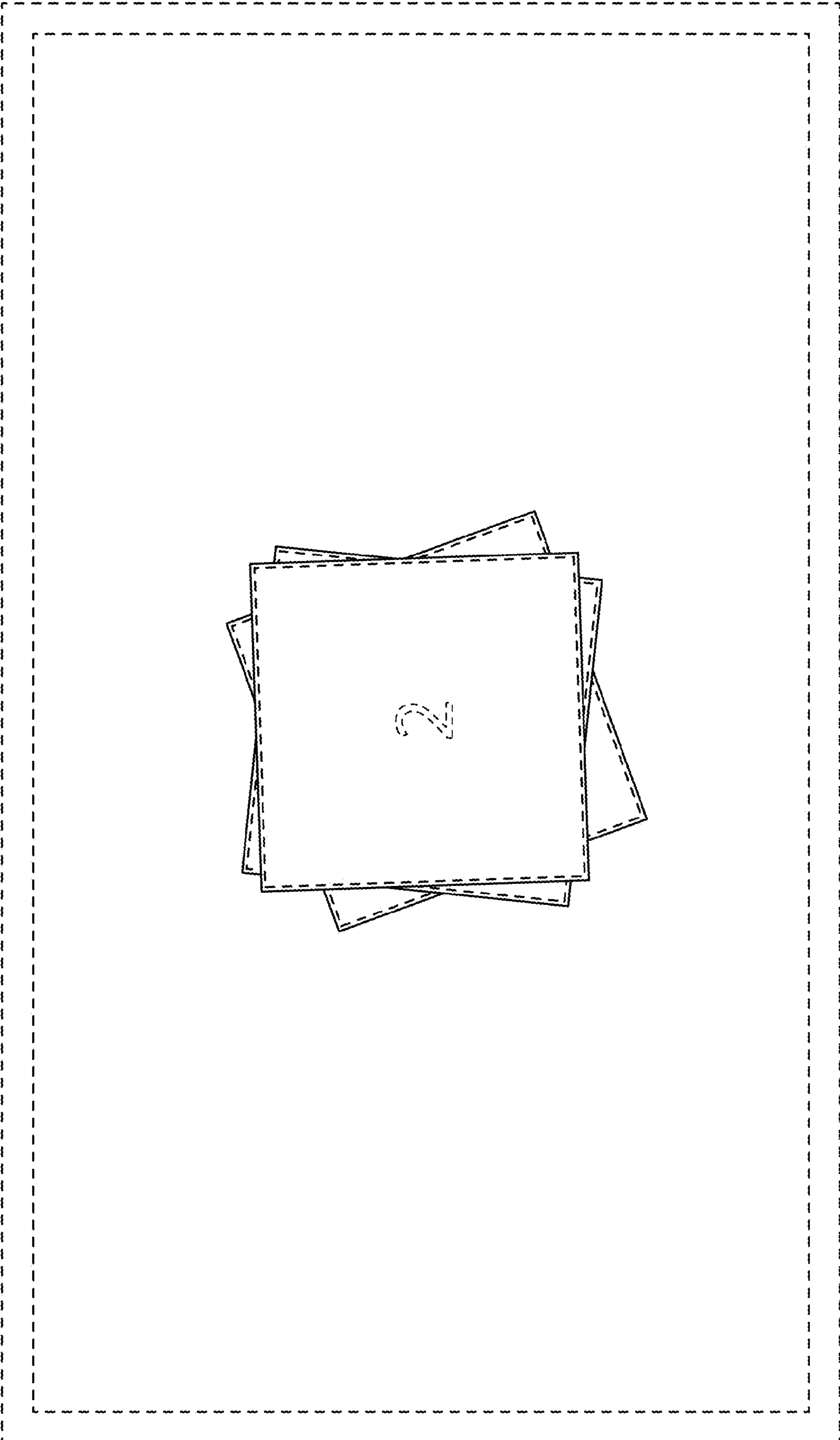


FIG. 6

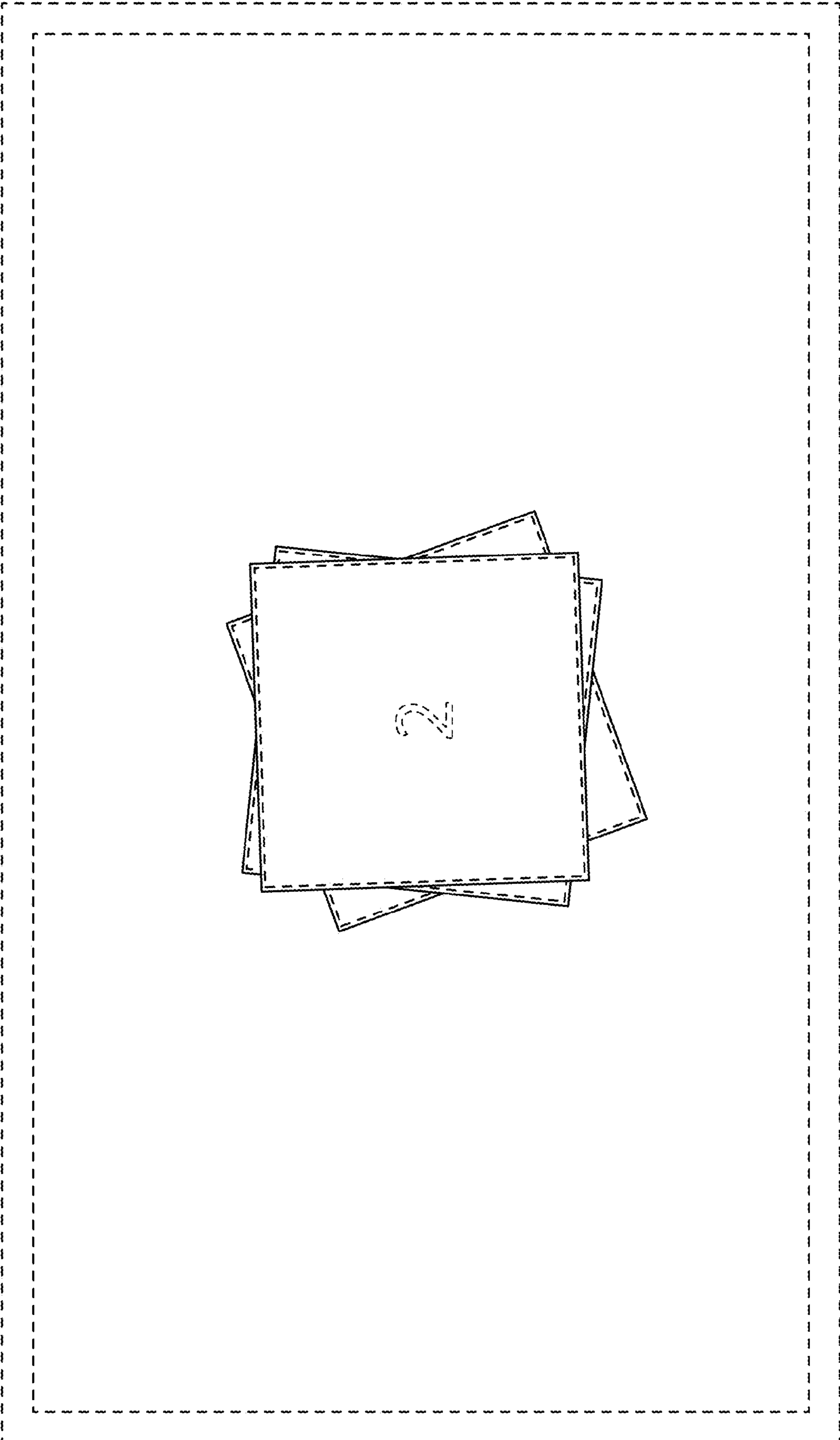


FIG. 7

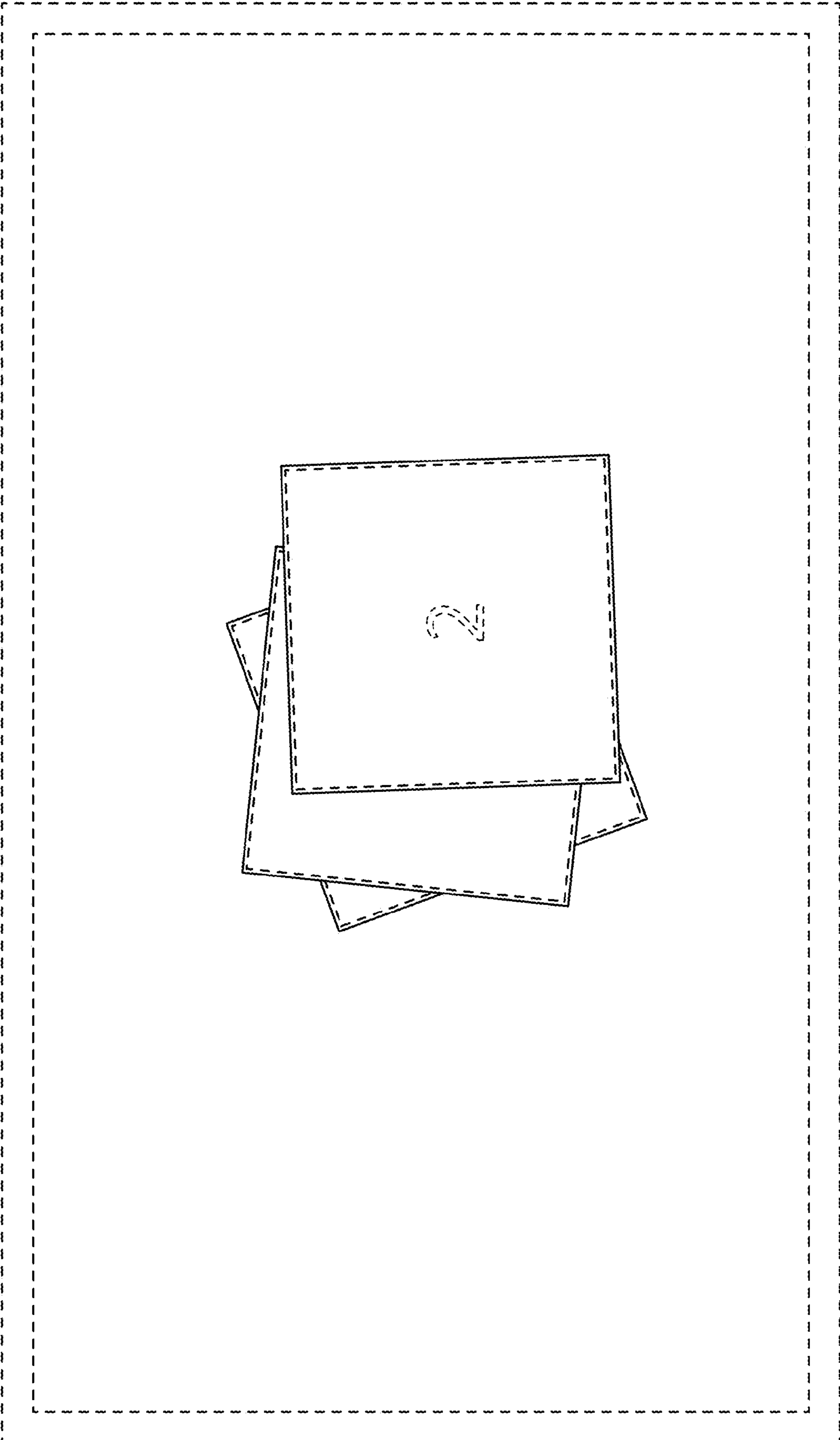


FIG. 8

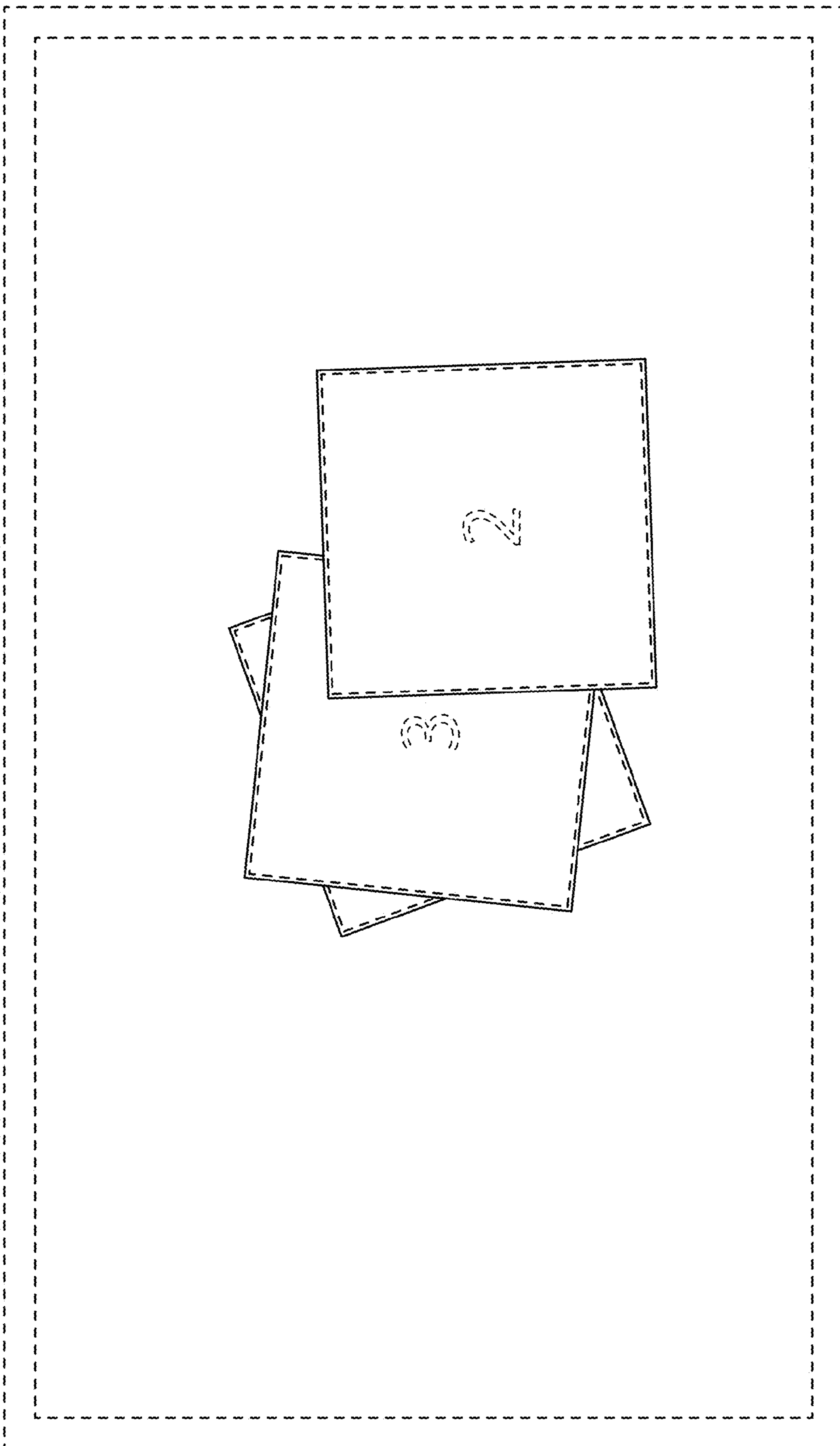


FIG. 9

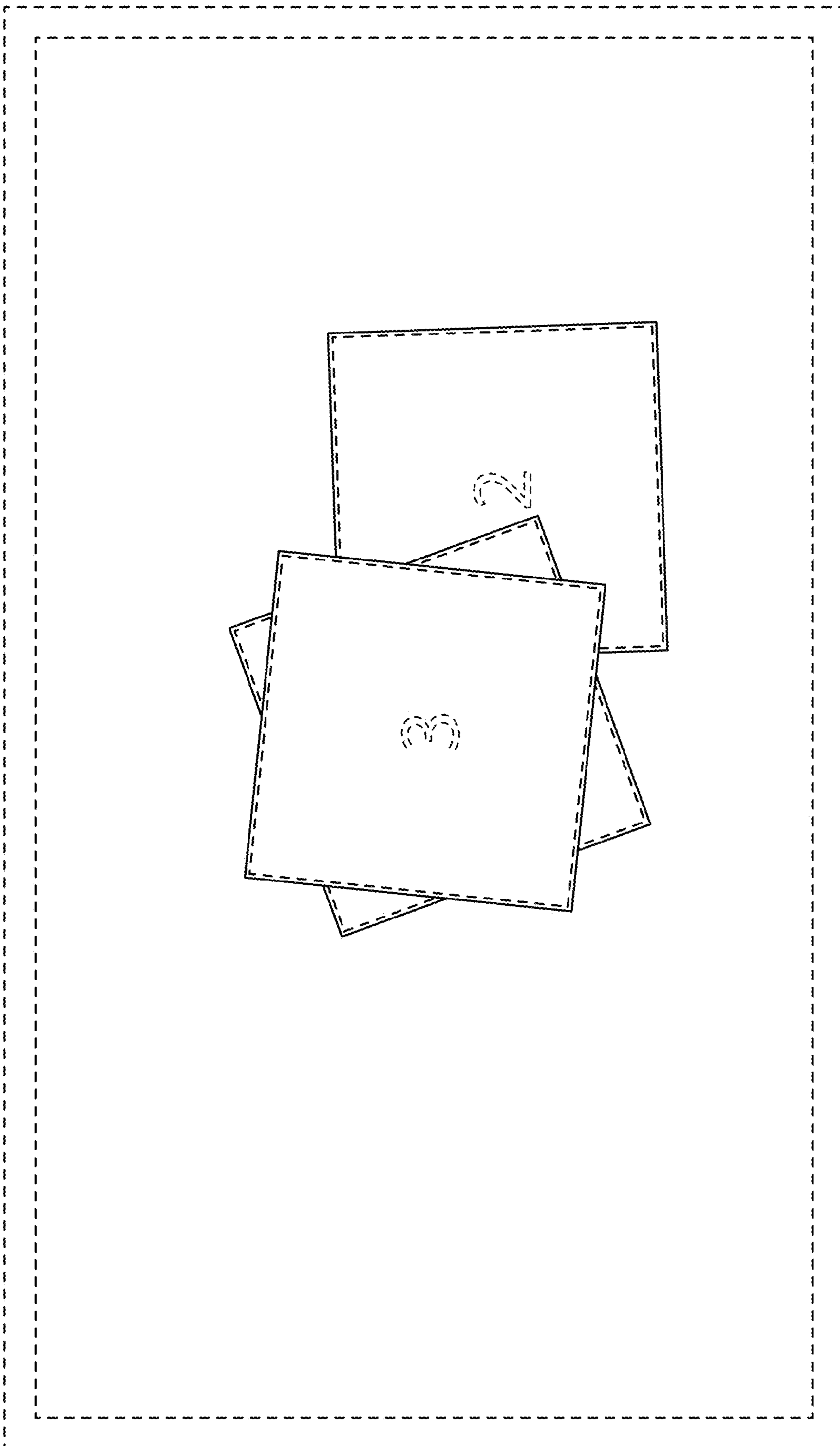


FIG. 10

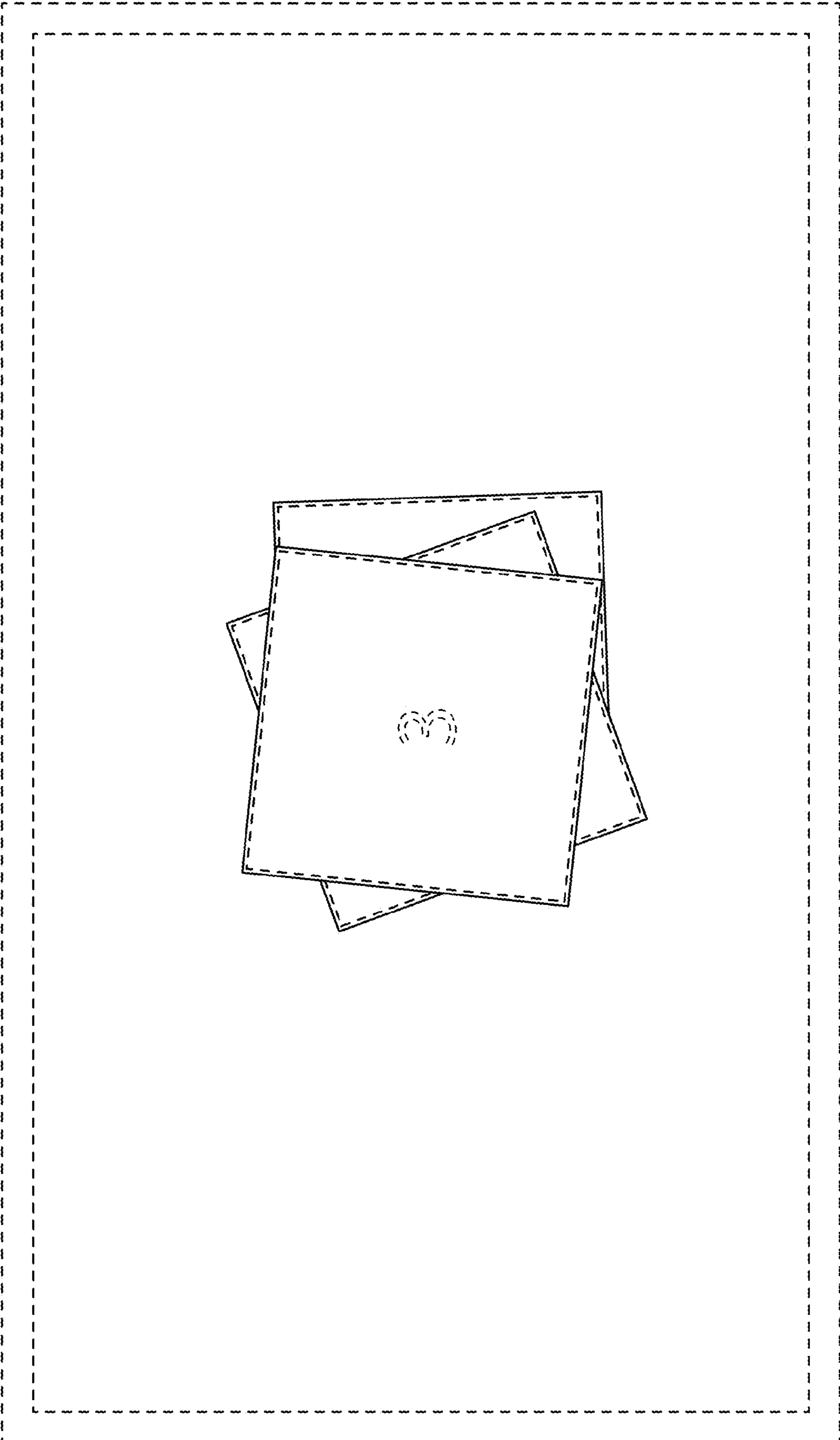


FIG. 11

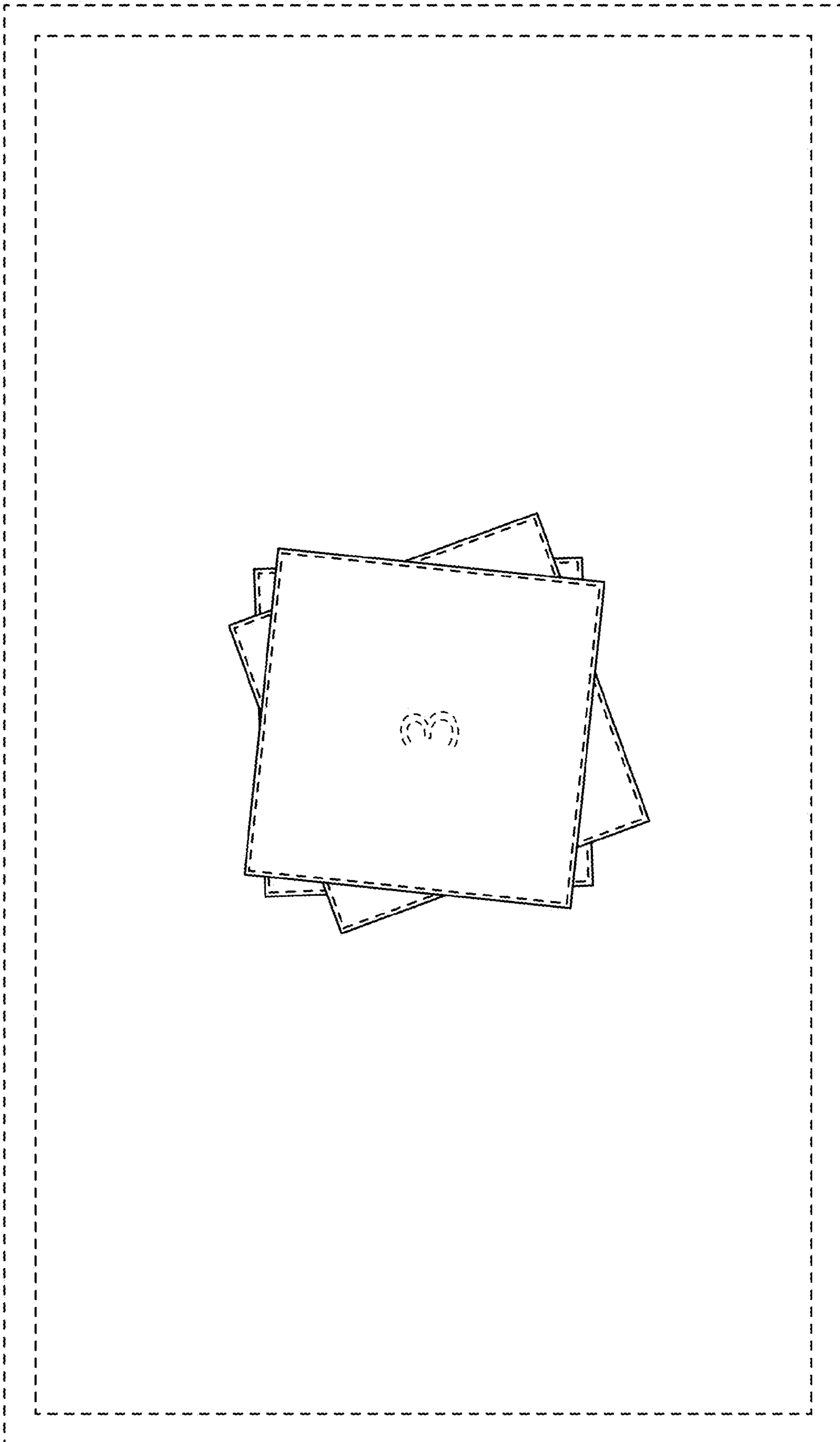


FIG. 12

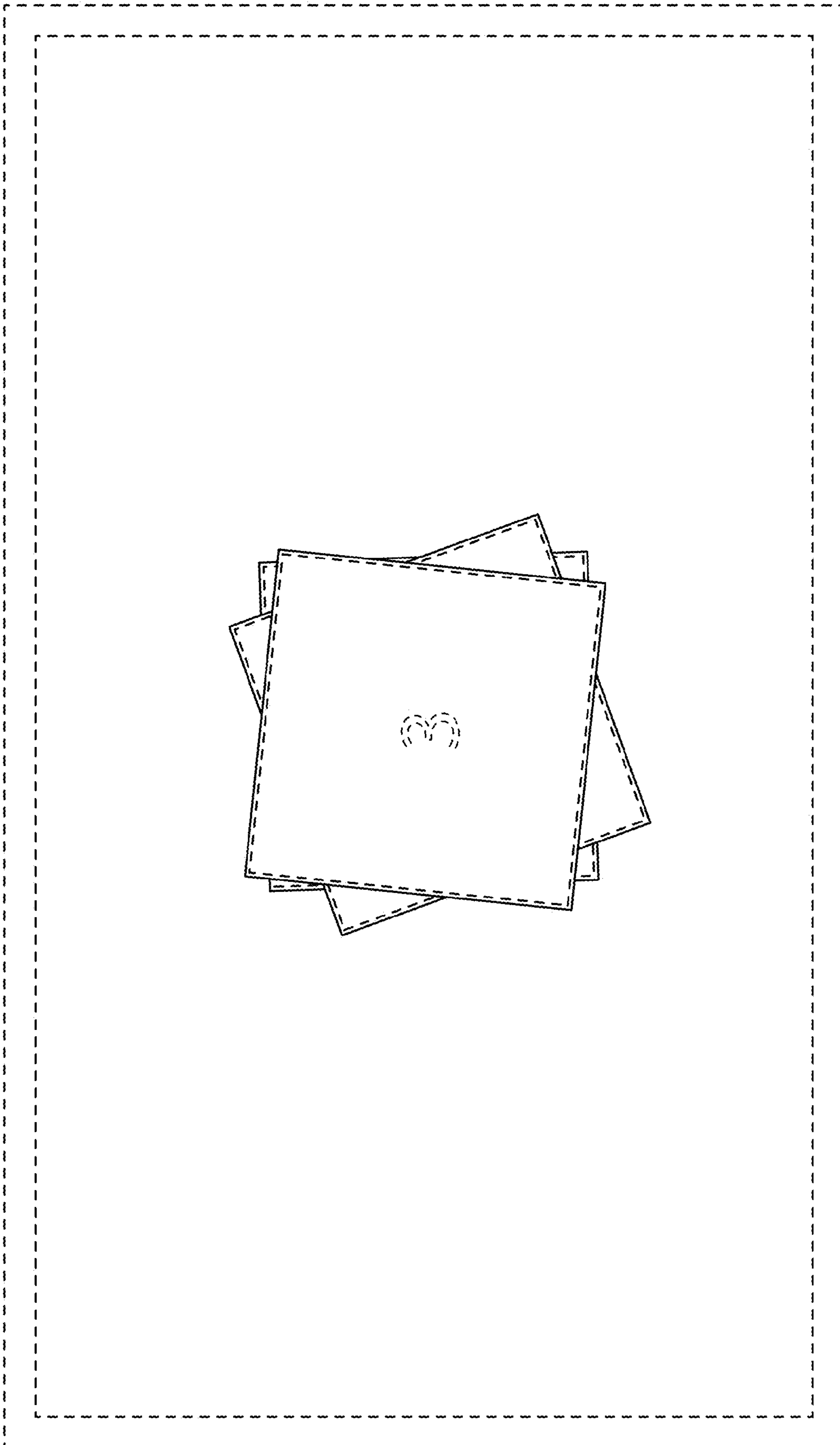


FIG. 13

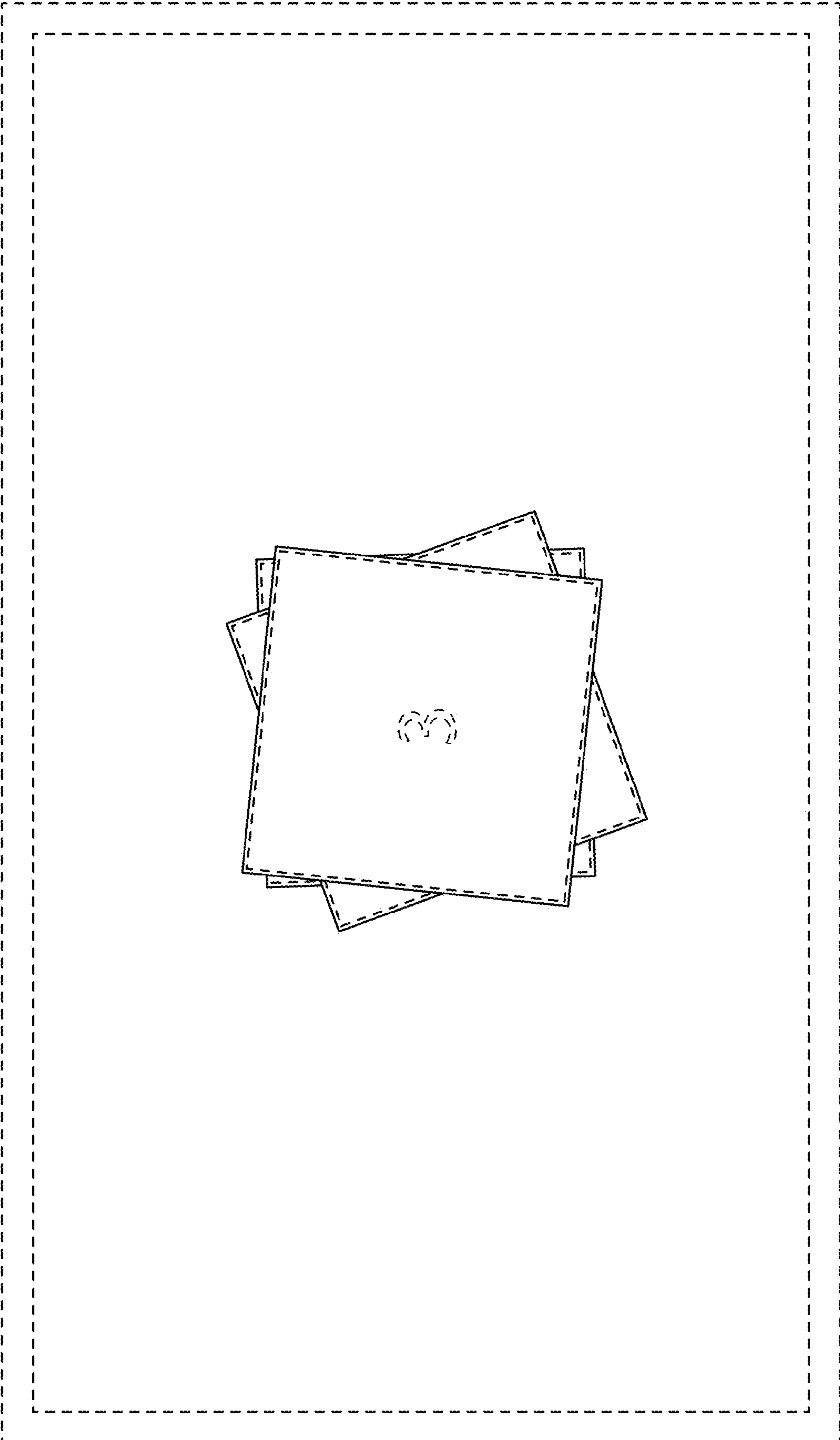


FIG. 14

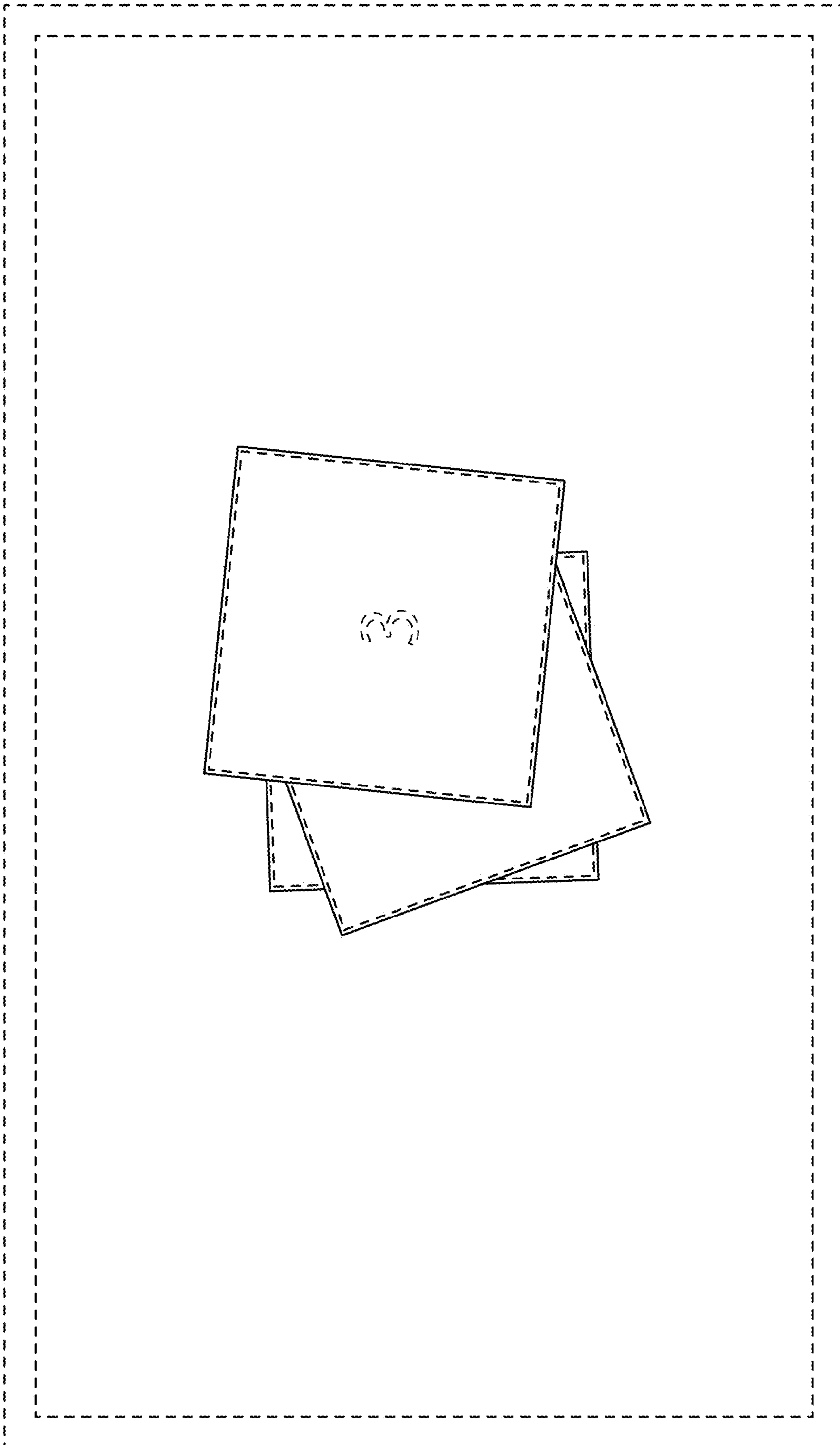


FIG. 15

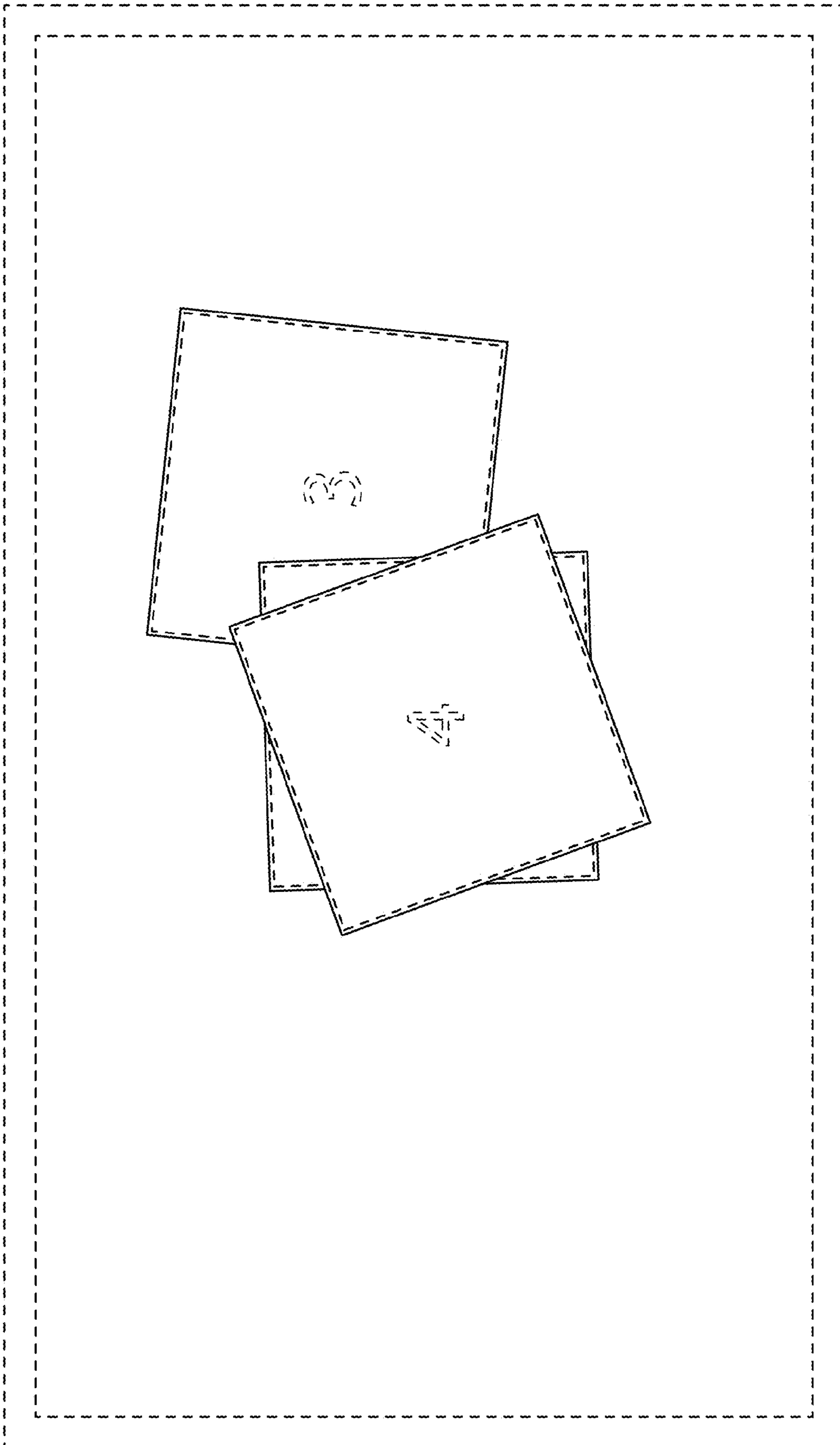


FIG. 16

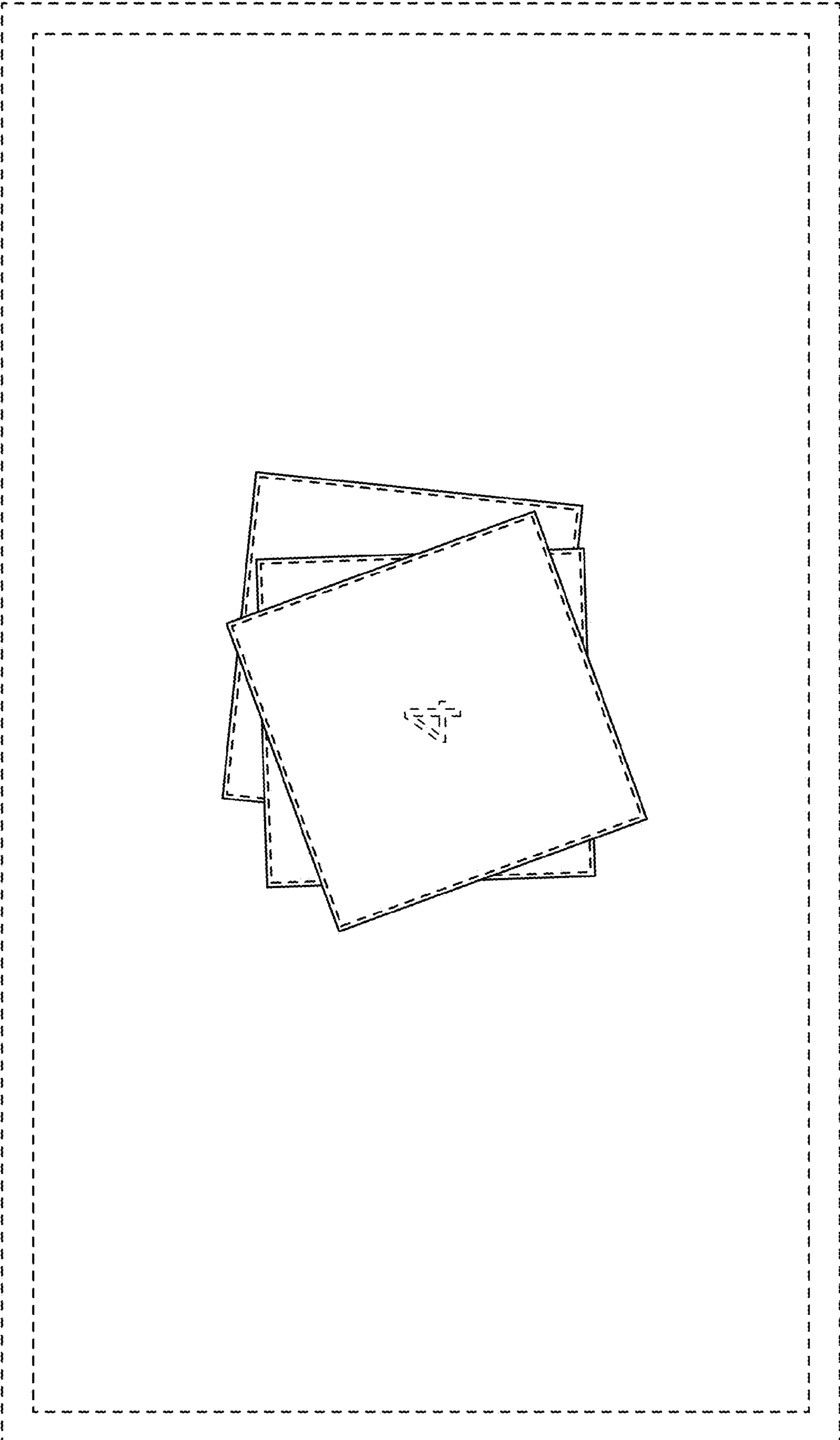


FIG. 17

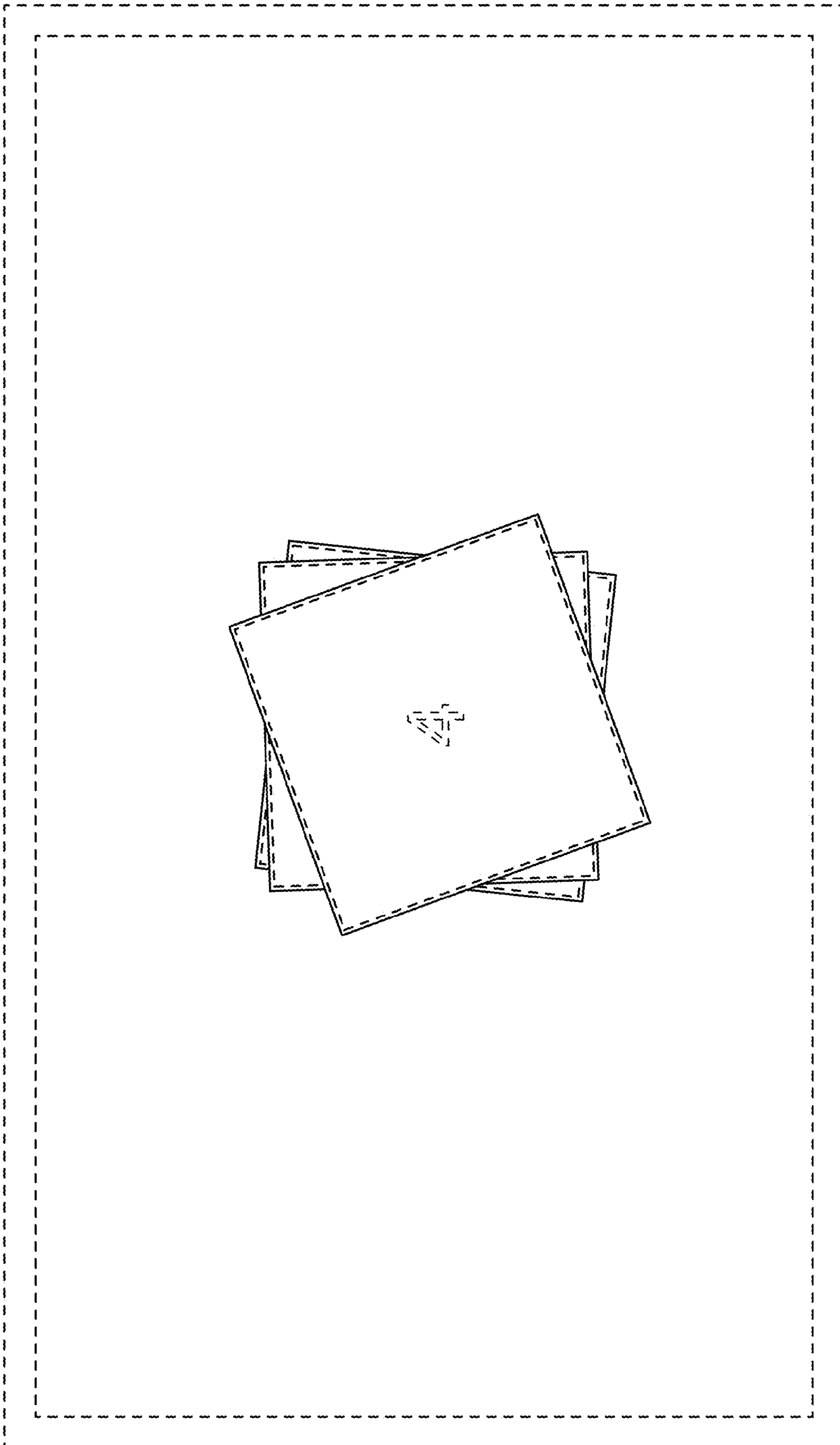


FIG. 18

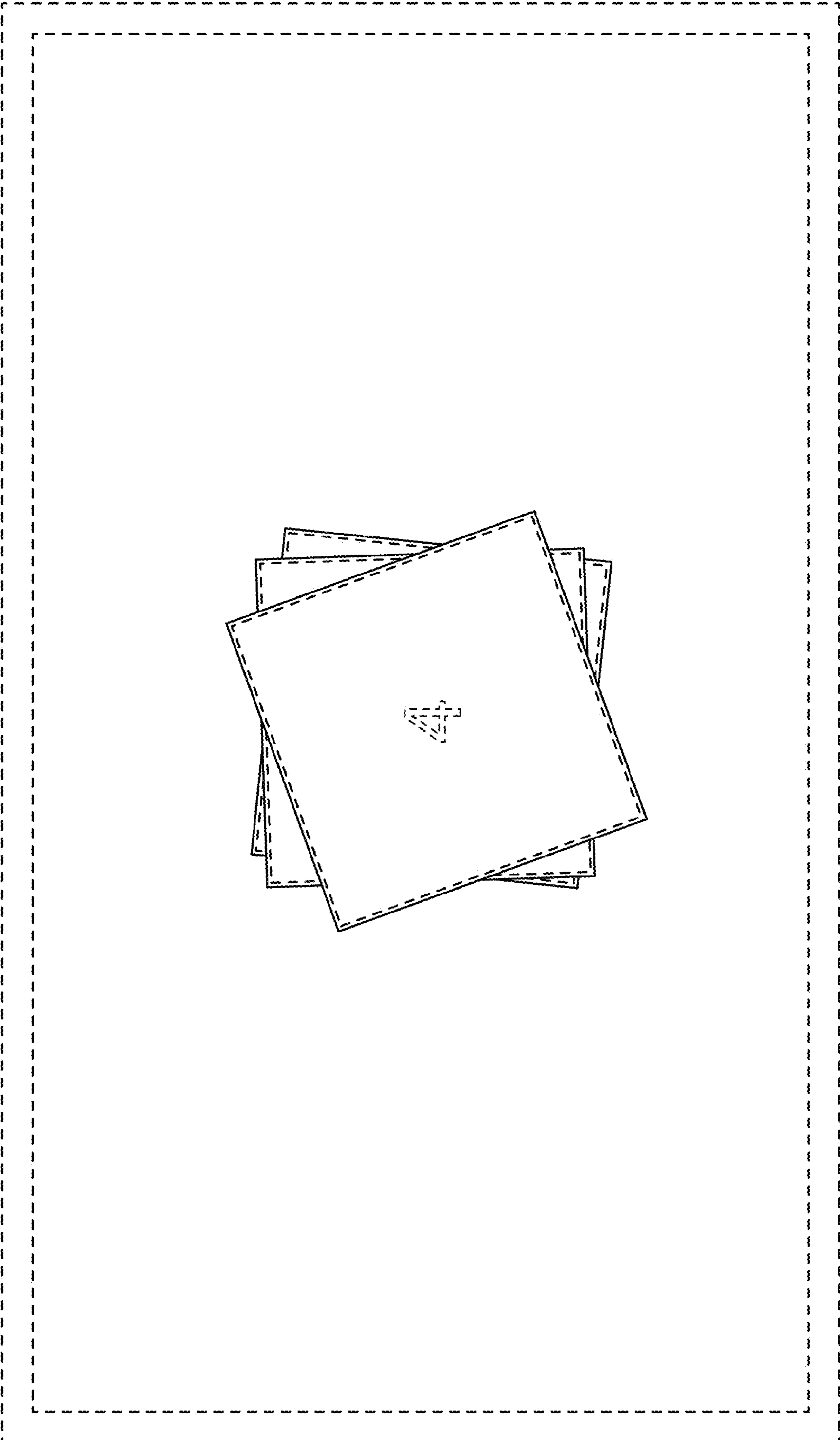


FIG. 19