



US00D933077S

(12) **United States Design Patent**
Cho et al.

(10) **Patent No.:** **US D933,077 S**

(45) **Date of Patent:** **** Oct. 12, 2021**

(54) **COMBINED MONITOR AND STAND**

(71) Applicant: **Samsung Electronics Co., Ltd.**,
Gyeonggi-do (KR)

(72) Inventors: **Ju-Won Cho**, Gyeonggi-do (KR);
Sung-Jin Ann, Gyeonggi-do (KR)

(73) Assignee: **SAMSUNG ELECTRONICS CO., LTD.**,
Gyeonggi-Do (KR)

(**) Term: **15 Years**

(21) Appl. No.: **29/723,632**

(22) Filed: **Feb. 9, 2020**

(30) **Foreign Application Priority Data**

Aug. 30, 2019 (KR) 30-2019-0041665

(51) **LOC (13) Cl.** **14-02**

(52) **U.S. Cl.**
USPC **D14/452**

(58) **Field of Classification Search**
USPC D14/447-452, 239, 371, 372, 373, 374,
D14/375, 376, 377, 125, 127, 128, 129,
D14/335-337, 341; D8/355, 363, 373
(Continued)

(56) **References Cited**

U.S. PATENT DOCUMENTS

D596,188 S * 7/2009 Lau D14/452
D598,025 S * 8/2009 Lau D14/452
(Continued)

FOREIGN PATENT DOCUMENTS

CN 301751347 * 12/2011
CN 304369694 * 11/2017
(Continued)

OTHER PUBLICATIONS

DELL. Link: <https://www.dell.com/en-us/work/shop/ergotron-hx-single-monitor-arm-white-desk-mount/apd/a9448026/monitors->

monitor-accessories. Visited Jun. 9, 2021. Ergotron HX Single Monitor Arm (white) Desk Mount. (Year: 2021).*

(Continued)

Primary Examiner — Lauren D McVey

(74) *Attorney, Agent, or Firm* — Cantor Colburn LLP

(57) **CLAIM**

The ornamental design for a combined monitor and stand, as shown and described.

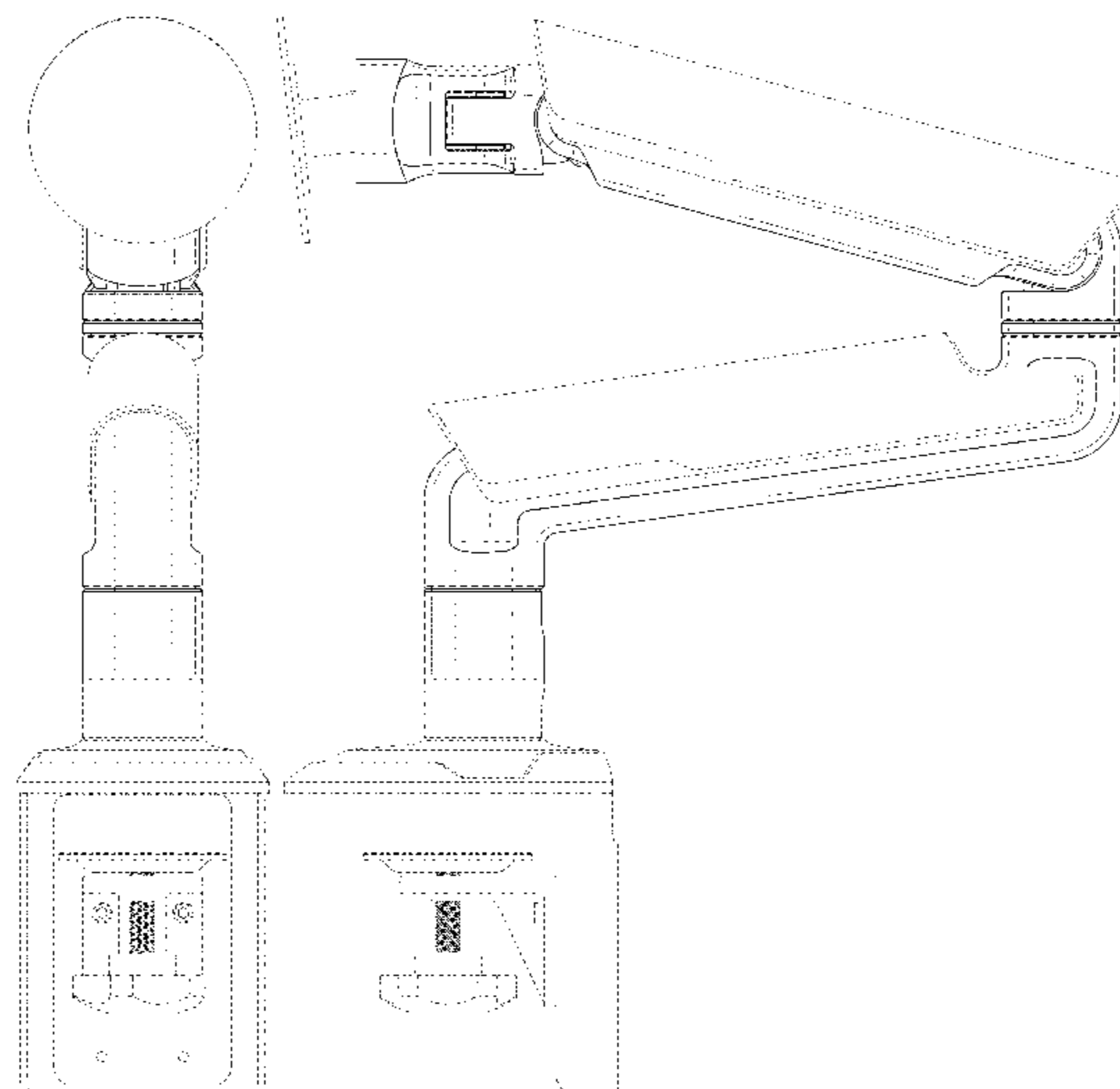
DESCRIPTION

FIG. 1 is a perspective view of a combined monitor and stand showing our new design;
FIG. 2 is a front view thereof;
FIG. 3 is a rear view thereof;
FIG. 4 is a left-side view thereof;
FIG. 5 is a right-side view thereof;
FIG. 6 is a top plan view thereof;
FIG. 7 is a bottom plan view thereof;
FIG. 8 is a rear perspective view thereof;
FIG. 9 is bottom perspective view thereof;
FIG. 10 is another perspective view of the combined monitor and stand shown in FIG. 1 without additional environment;
FIG. 11 is a front view thereof;
FIG. 12 is a rear view thereof;
FIG. 13 is a left-side view thereof;
FIG. 14 is a right-side view thereof;
FIG. 15 is a top plan view thereof;
FIG. 16 is a bottom plan view thereof;
FIG. 17 is a rear perspective view thereof; and,
FIG. 18 is another right-side view of FIG. 1 with unclaimed table.

The evenly dashed broken lines in the figures depict environmental subject matter and form no part of the claimed design.

The dot-dash broken lines define the boundary of the claimed design and form no part thereof.

1 Claim, 18 Drawing Sheets



(58) **Field of Classification Search**

CPC F16M 11/2085; F16M 11/2092; F16M 11/2007; F16M 11/2014; F16M 11/2021; F16M 11/105; F16M 11/048; F16M 11/12; F16M 13/022; F16M 11/10

See application file for complete search history.

(56) **References Cited**

U.S. PATENT DOCUMENTS

D679,282 S * 4/2013 Liu D14/452
D686,584 S 7/2013 Yoo et al.
D738,838 S 9/2015 Seo et al.
D750,076 S 2/2016 Lam et al.
D750,626 S 3/2016 Schoenert et al.
D774,037 S * 12/2016 Kang D14/451
D796,519 S * 9/2017 Hung D14/452
D799,483 S * 10/2017 Won D14/376
D807,895 S * 1/2018 Won D14/452
D809,519 S * 2/2018 Jung D14/452
D815,105 S * 4/2018 Jung D14/452
D834,584 S * 11/2018 Jung D14/452

D848,444 S * 5/2019 Jung D14/452
D910,028 S * 2/2021 Pelly D14/452
2020/0378415 A1* 12/2020 Dammermann ... F16M 11/2092

FOREIGN PATENT DOCUMENTS

CN 305604328 * 2/2020
CN 305905105 * 7/2020
EM 002066928-0001 * 7/2012
EM 001366405-0001 4/2013

OTHER PUBLICATIONS

DELL. Link: <https://www.dell.com/en-us/work/shop/ergotron-lx-dual-monitor-side-by-side-arm-white-desk-mount/apd/a9085976/monitors-monitor-accessories>. Visited Jun. 9, 2021. Ergotron LX Dual Monitor Side-by-Side Arm (white) Desk Mount. (Year: 2021).*
PC Mag. Link: <https://www.pcmag.com/reviews/samsung-chg70-27-inch-curved-monitor>. Dec. 28, 2018. Samsung CHG70 27-Inch Curved Monitor Review. (Year: 2018).*

* cited by examiner

FIG. 1

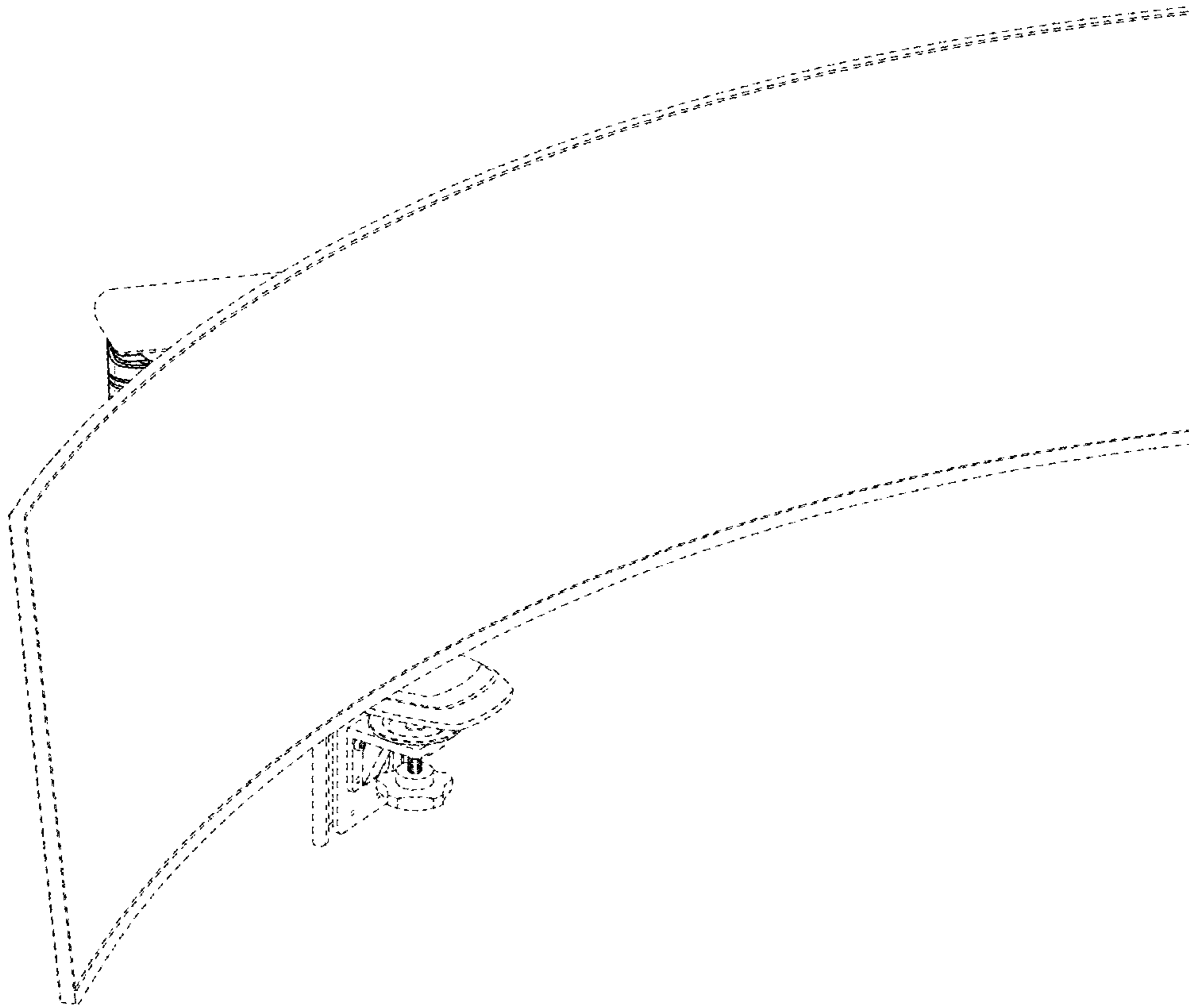


FIG. 2

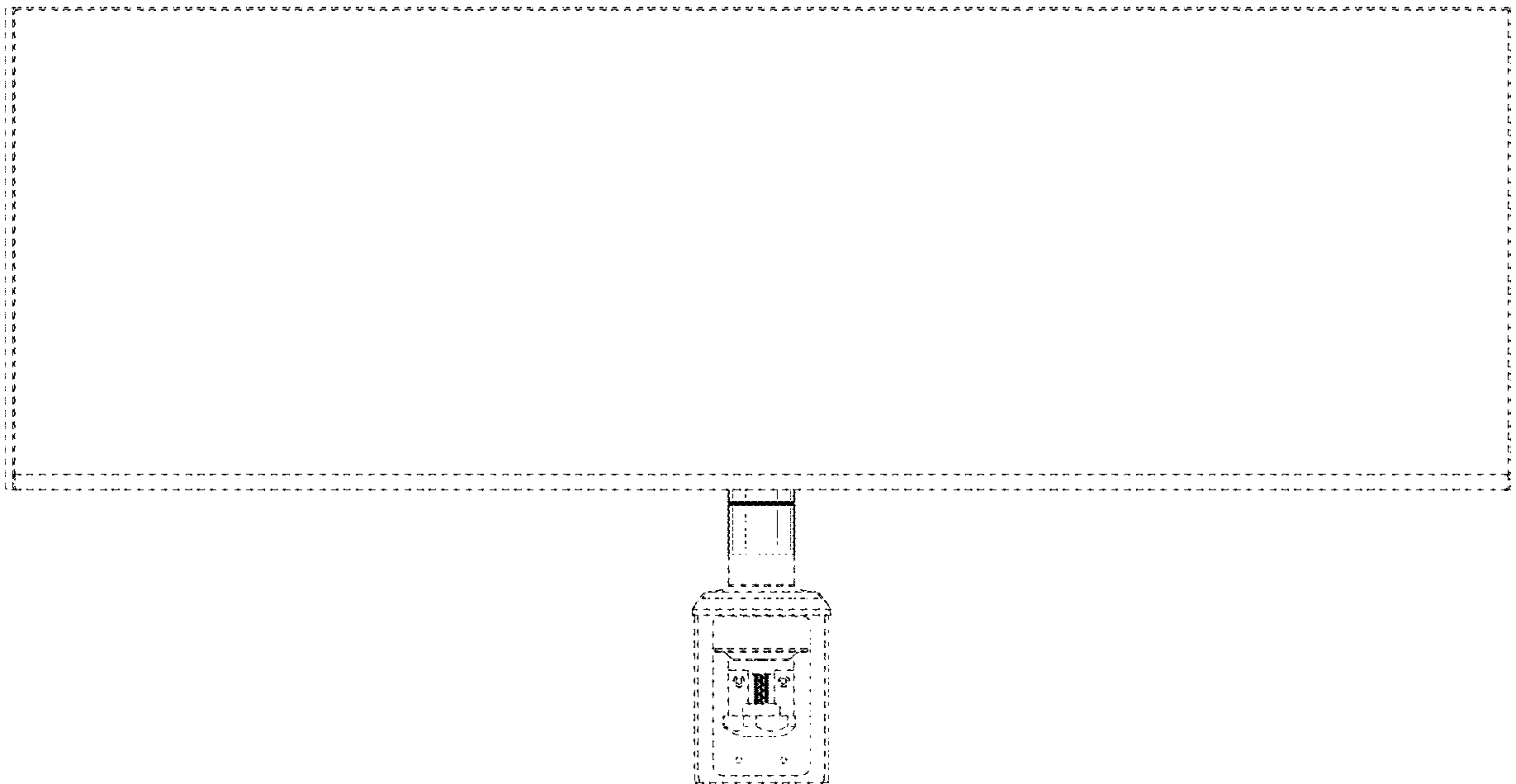


FIG. 3

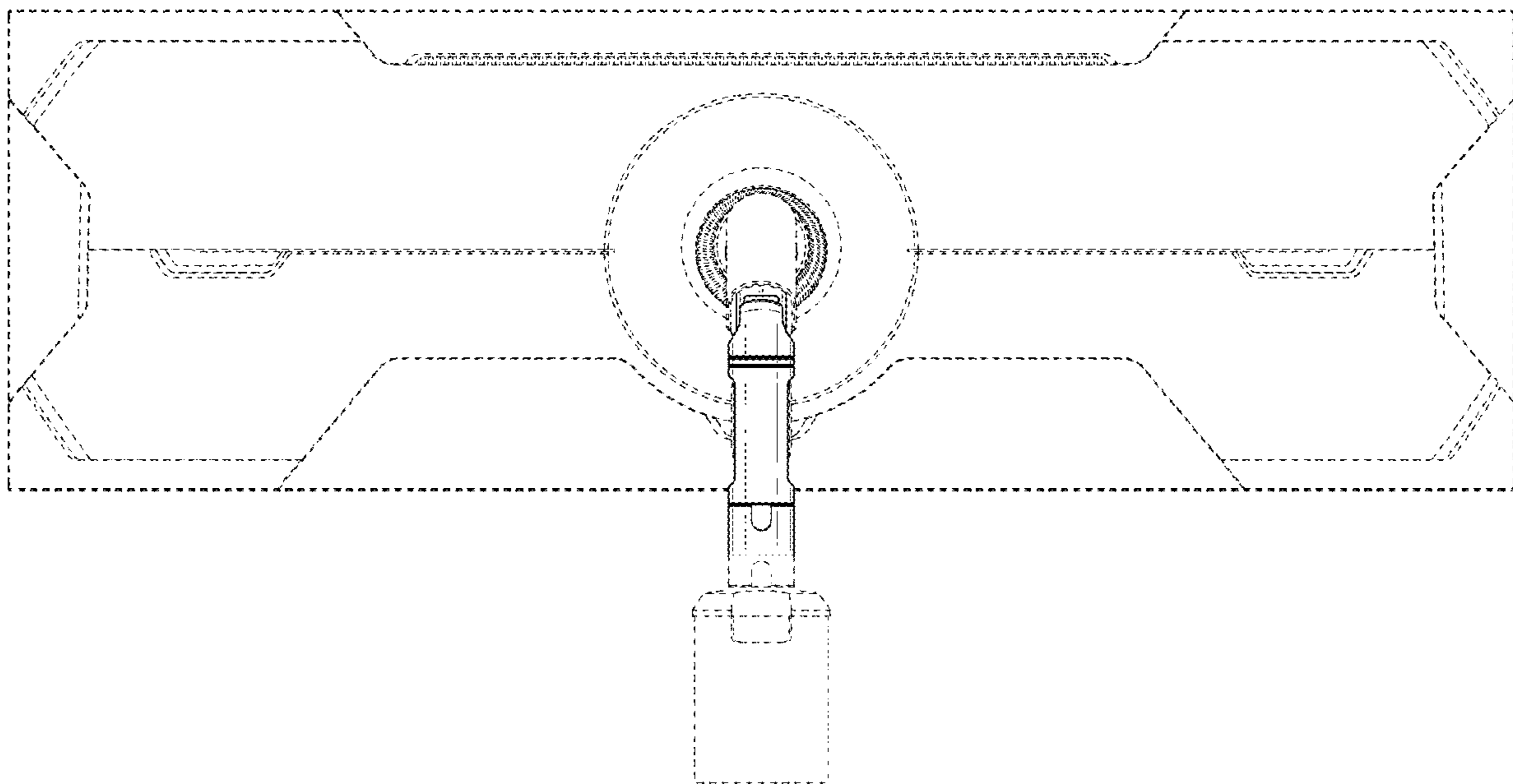


FIG. 4

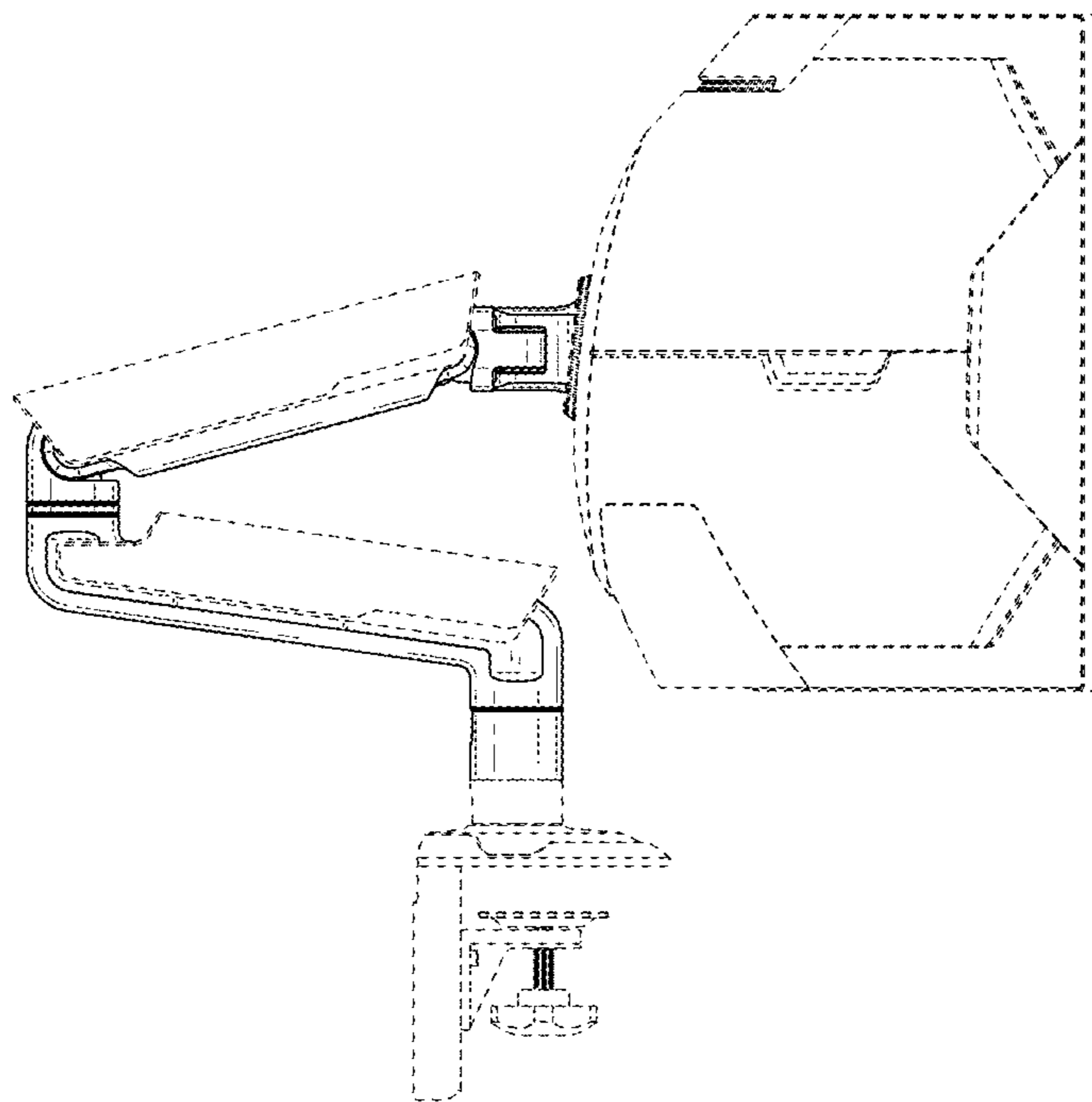


FIG. 5

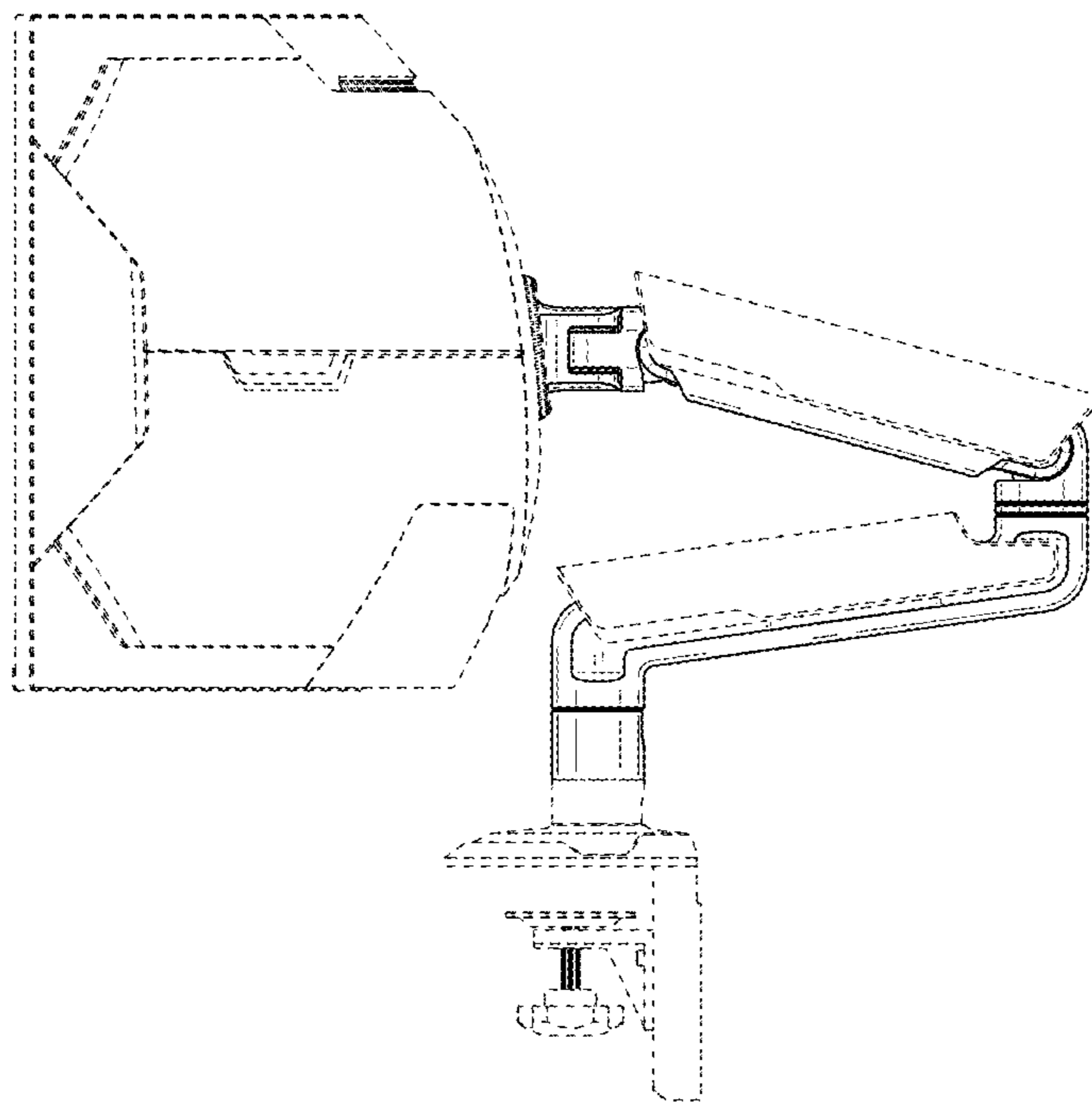


FIG. 6

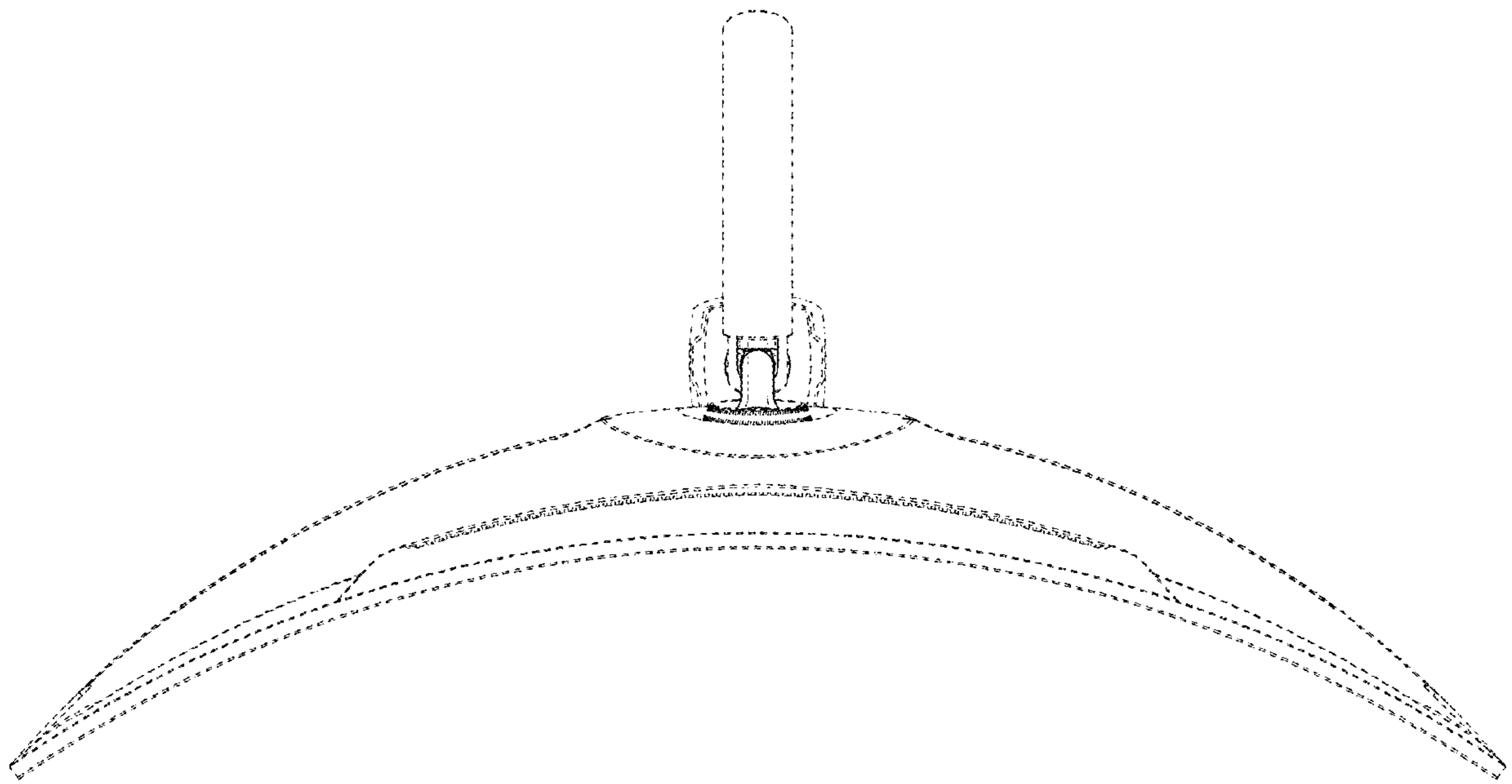


FIG. 7

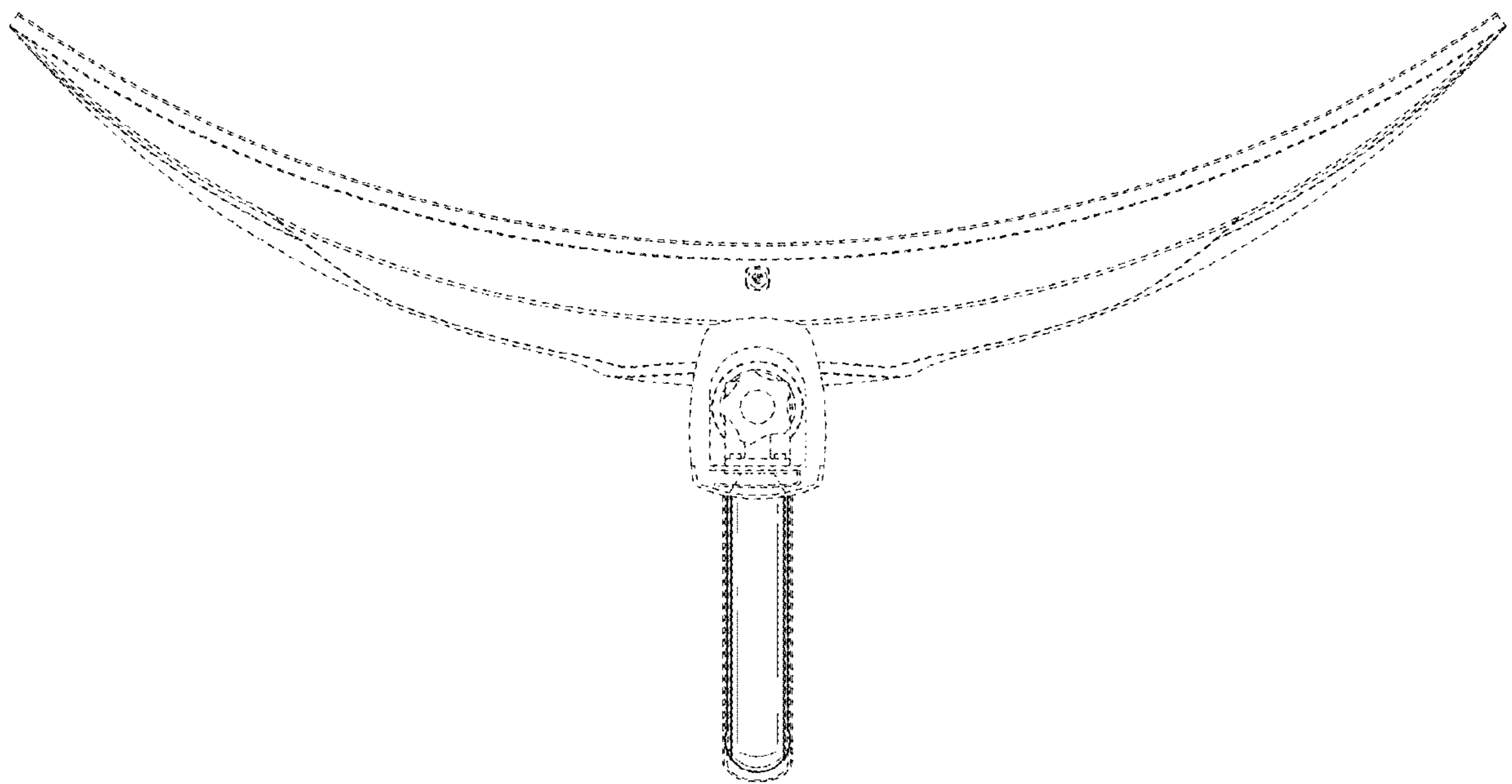


FIG. 8

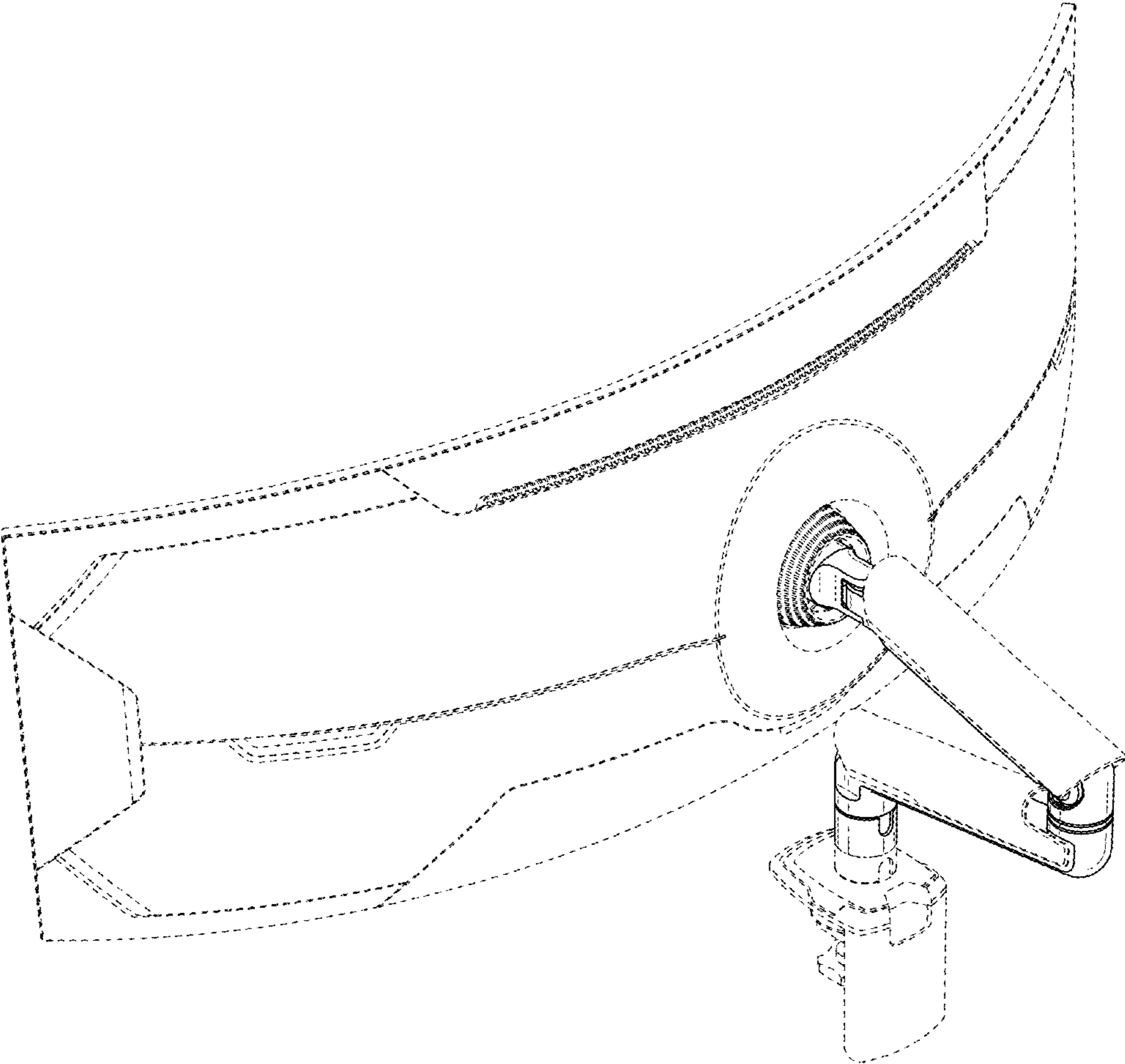


FIG. 9

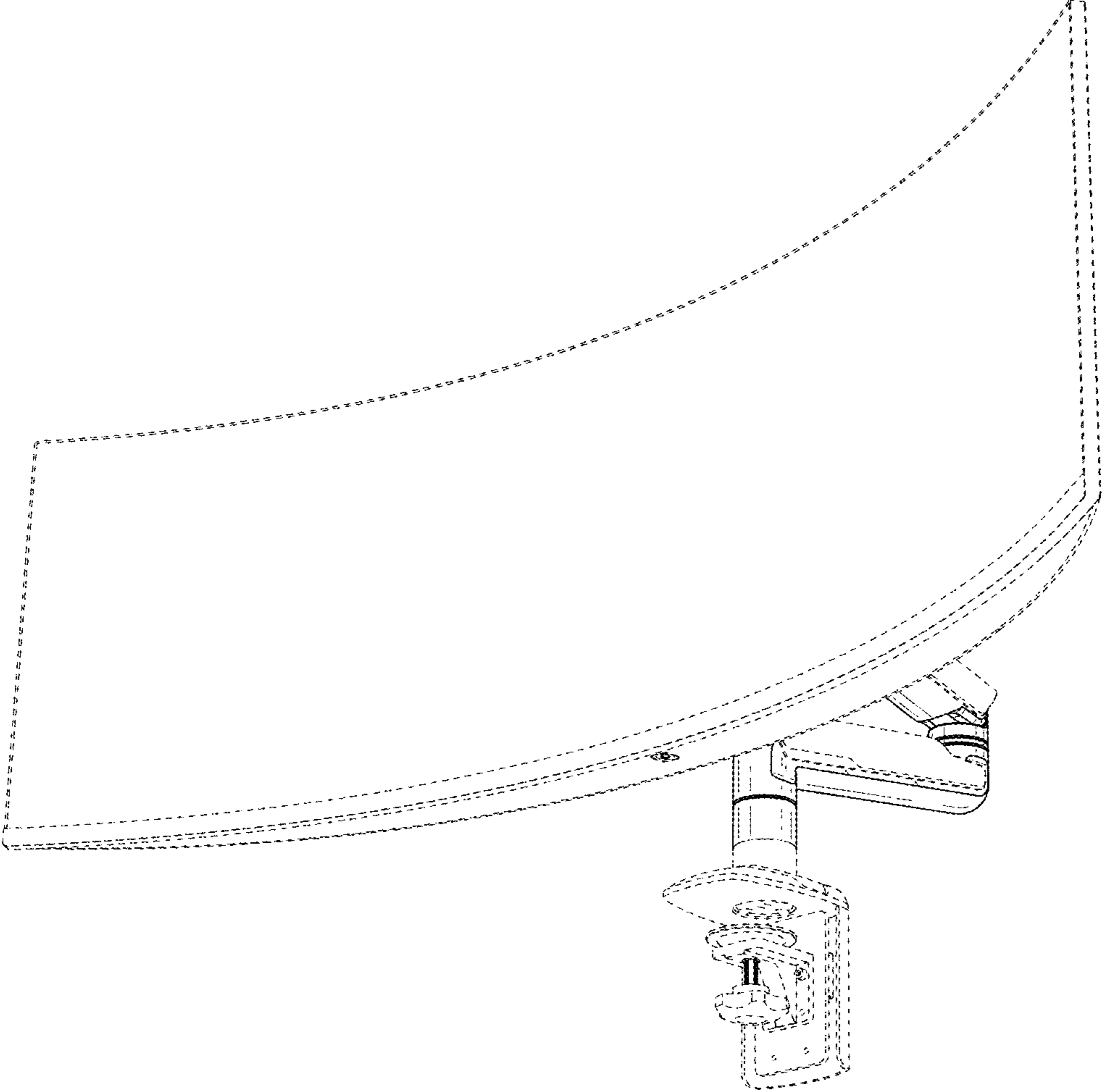


FIG. 10

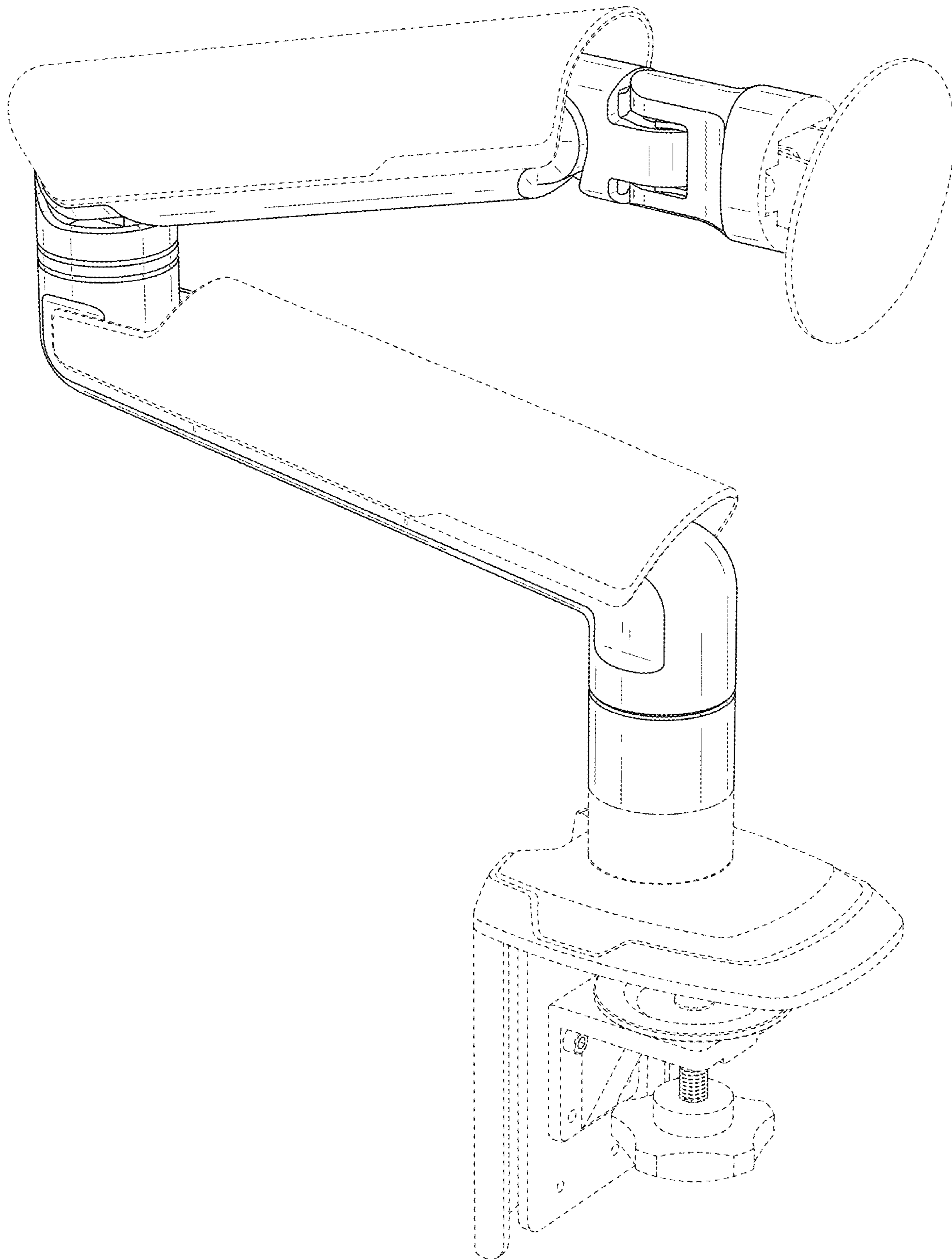


FIG. 11

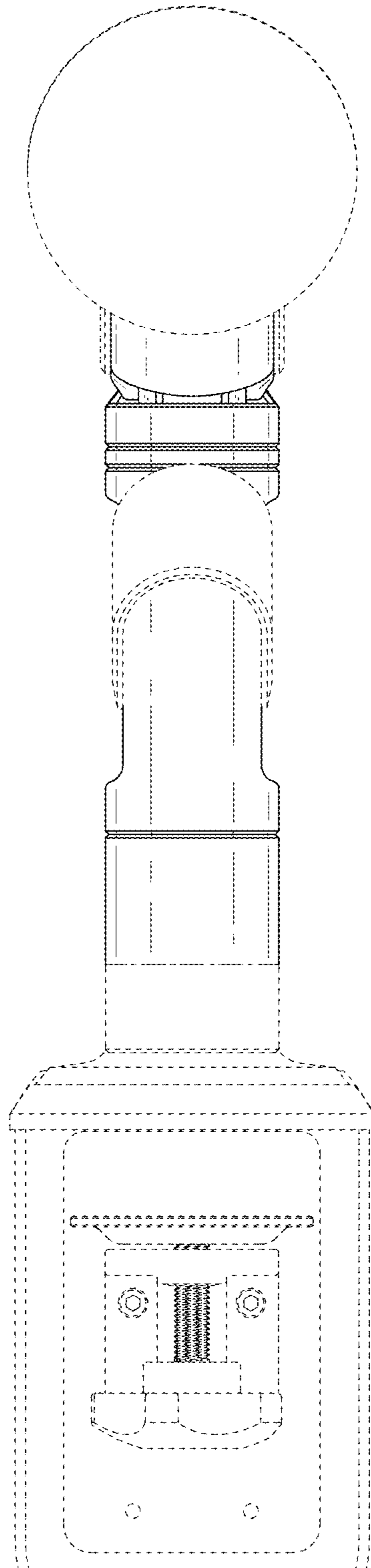


FIG. 12

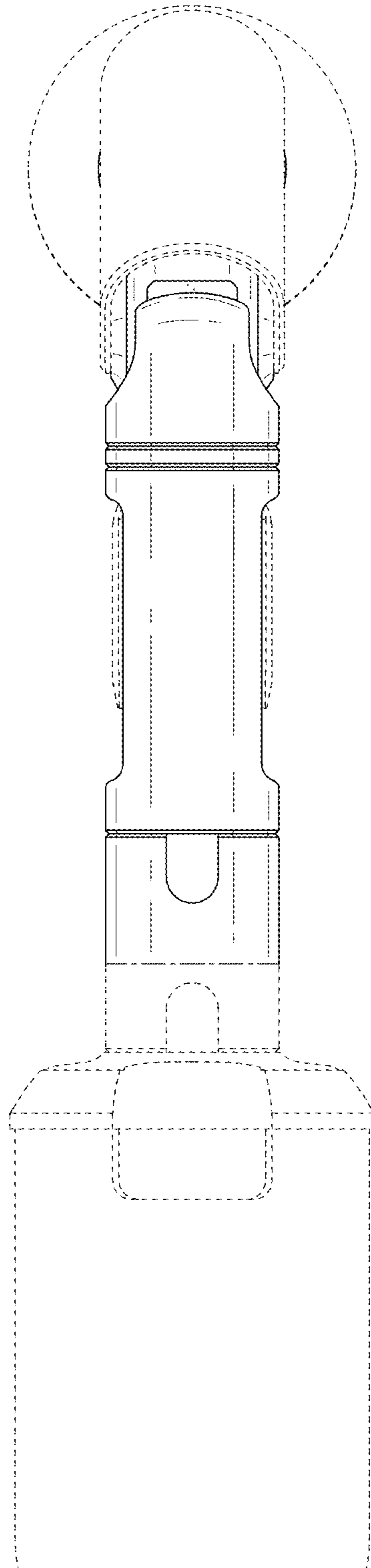


FIG. 13

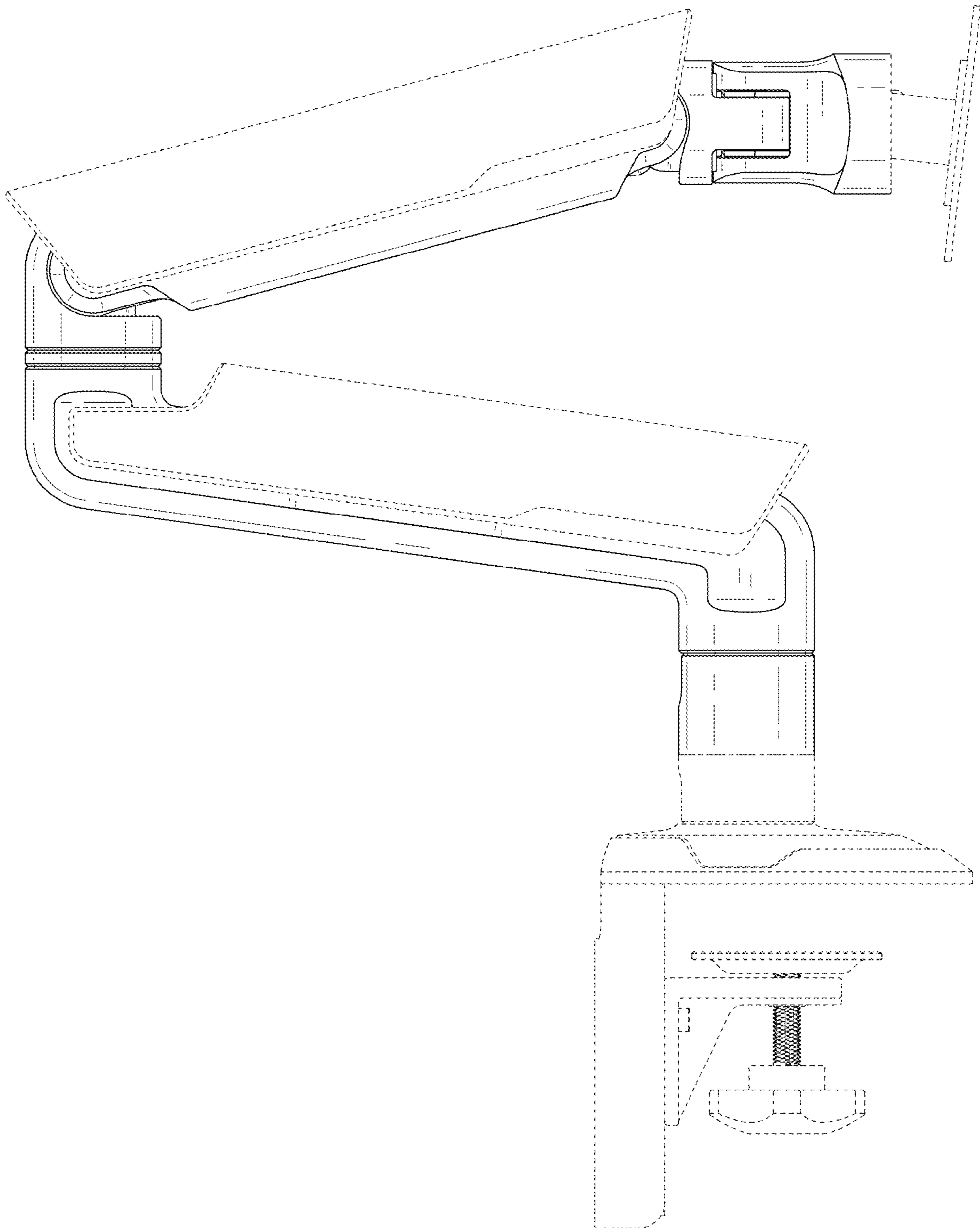


FIG. 14

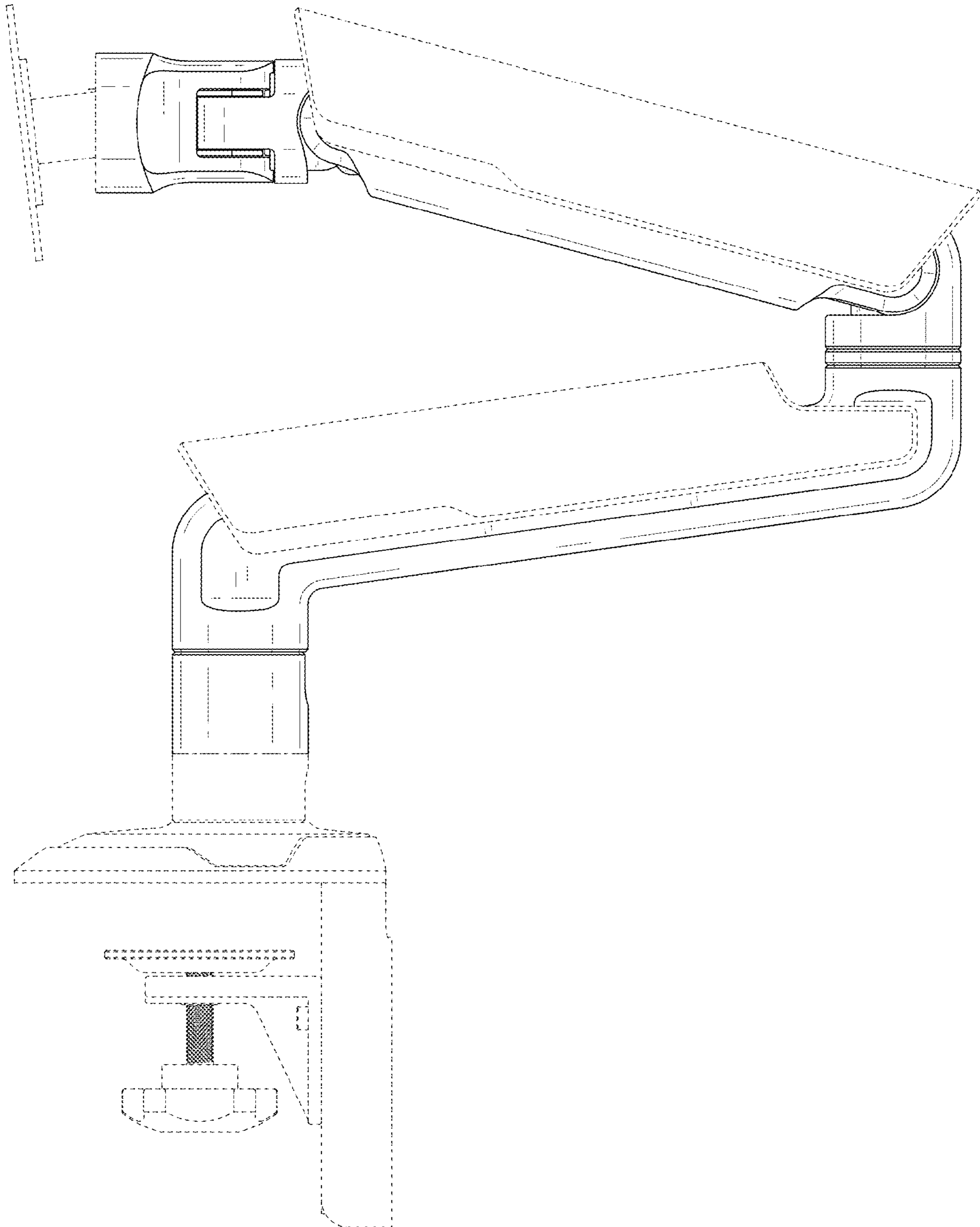


FIG. 15

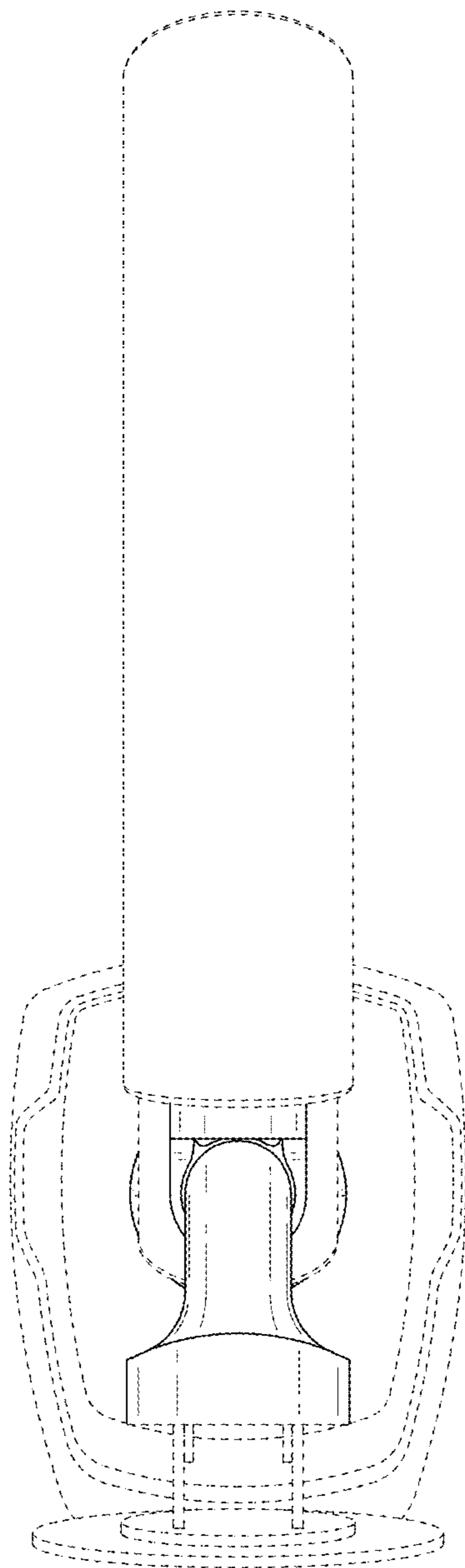


FIG. 16

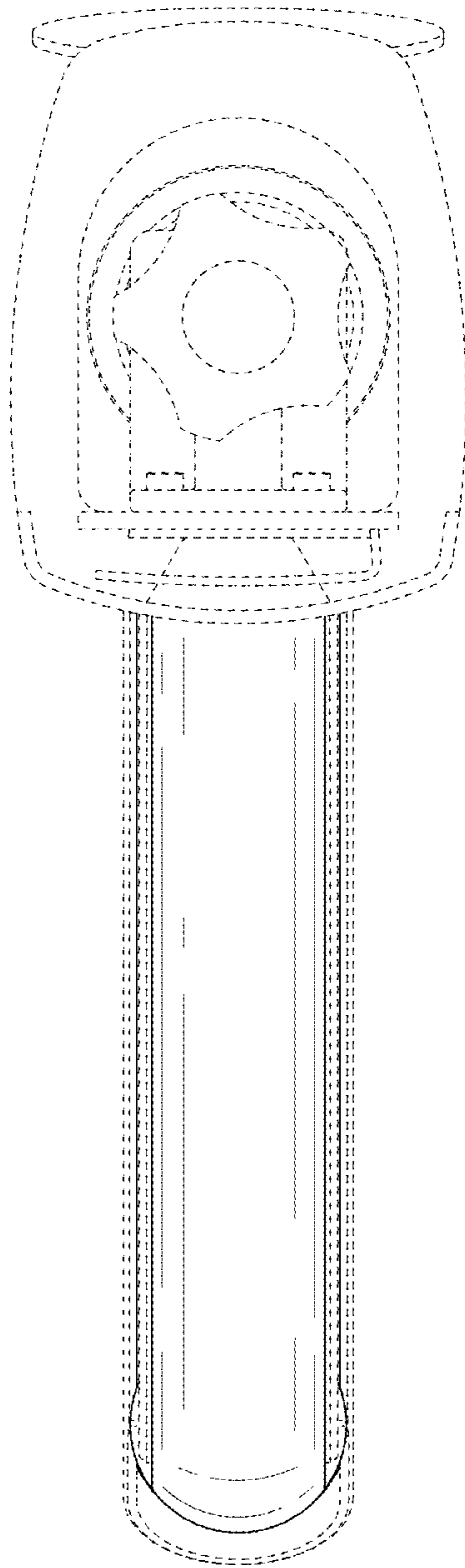


FIG. 17

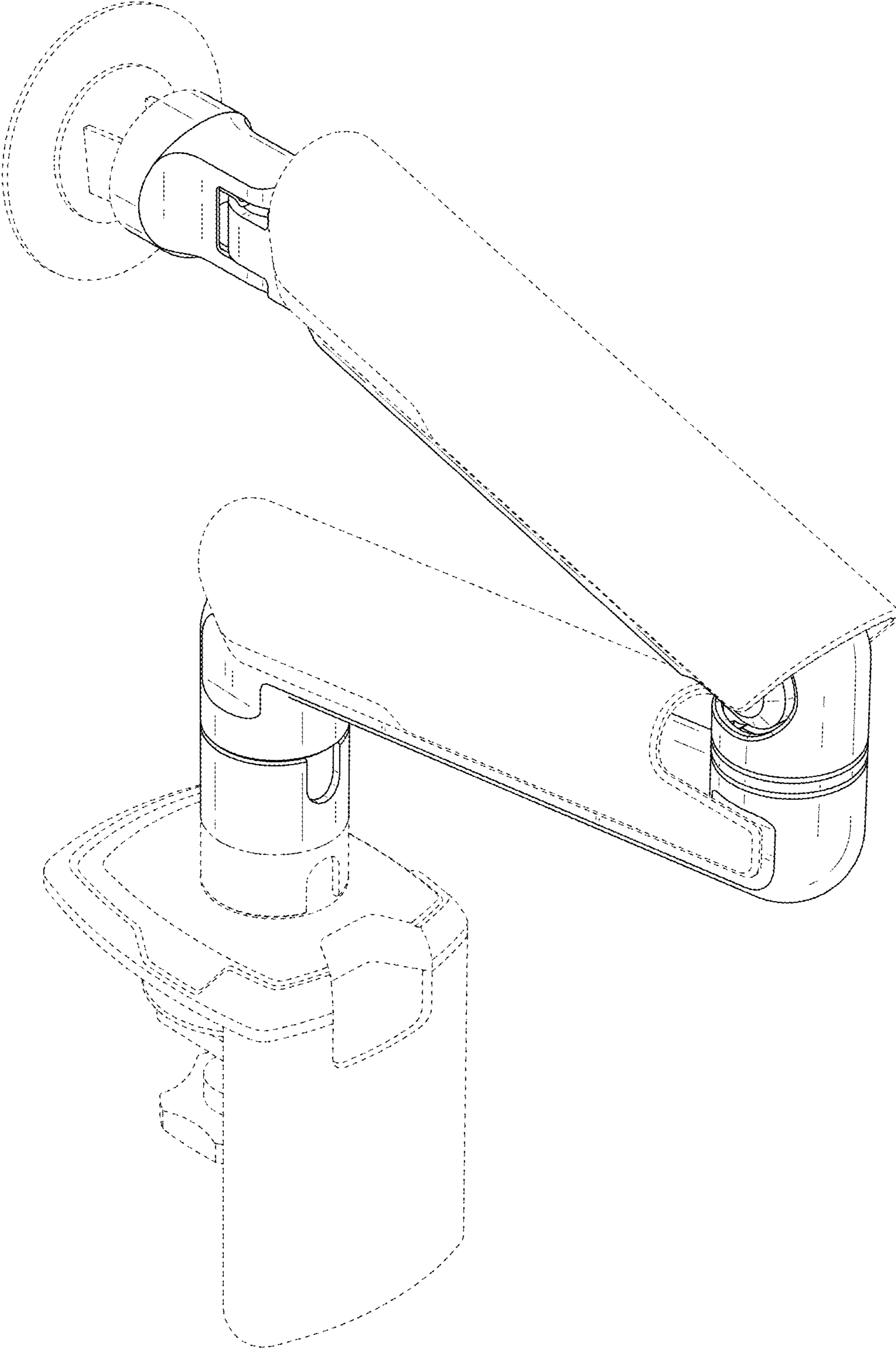


FIG. 18

