



US00D933076S

(12) **United States Design Patent**
Harper

(10) **Patent No.:** **US D933,076 S**

(45) **Date of Patent:** **** Oct. 12, 2021**

(54) **CUSHIONED SUPPORT BASE FOR A
TABLET COMPUTER**

D761,799 S * 7/2016 Miniard D14/447
D768,138 S * 10/2016 Malsan D14/447
D781,841 S * 3/2017 Salathe D14/253

(Continued)

(71) Applicant: **Millie Products LLC**, Ennis, TX (US)

(72) Inventor: **Brad Harper**, Ennis, TX (US)

(73) Assignee: **Millie Products LLC**, Ennis, TX (US)

(*) Notice: Patent file contains an affidavit/declaration under 37 CFR 1.130(b).

(**) Term: **15 Years**

(21) Appl. No.: **29/716,409**

(22) Filed: **Dec. 10, 2019**

(51) **LOC (13) Cl.** **14-02**

(52) **U.S. Cl.**

USPC **D14/447**

(58) **Field of Classification Search**

USPC D14/447, 434, 439, 440, 451, 452, 457,
D14/239, 253; D8/373, 380, 363;
D6/406.3-6, 382, 383; D12/415, 416,
D12/422

CPC A47B 21/04; A47B 2097/006; A47B
2023/049; A47B 2097/005; A45C
2011/002; A45C 2011/003; F16M
2200/00; F16M 13/00

See application file for complete search history.

(56) **References Cited**

U.S. PATENT DOCUMENTS

805,895 A * 11/1905 Wedderburn A63F 1/10
273/150
D362,565 S * 9/1995 Tubbs D6/310
D365,461 S * 12/1995 Falter D19/88
D681,625 S * 5/2013 Zehner D14/253
D690,308 S * 9/2013 McCoy D14/458
D703,216 S * 4/2014 Klepar D14/447

OTHER PUBLICATIONS

Screen captures from YouTube video clip entitled “DUO MultiAngle Pillow Stand for Tablets”, 2 pages, uploaded Jun. 8, 2019 by user “HSNtv” [site visited Nov. 22, 2020], Retrieved from Internet: <https://www.youtube.com/watch?v=mqfAPGq7knc> (Year: 2019).*

(Continued)

Primary Examiner — Ramzi Almatrahi

Assistant Examiner — Charles Cunningham

(74) *Attorney, Agent, or Firm* — David H. Judson

(57) **CLAIM**

The ornamental design for a cushioned support base for a tablet computer, as shown and described.

DESCRIPTION

FIG. 1 is a top, front and right side perspective view of a cushioned support base for a tablet computer showing my new design;

FIG. 2 is a front elevation view thereof;

FIG. 3 is a rear elevation view thereof;

FIG. 4 is a right side elevation view thereof;

FIG. 5 is a left side elevation view thereof;

FIG. 6 is a top plan view thereof;

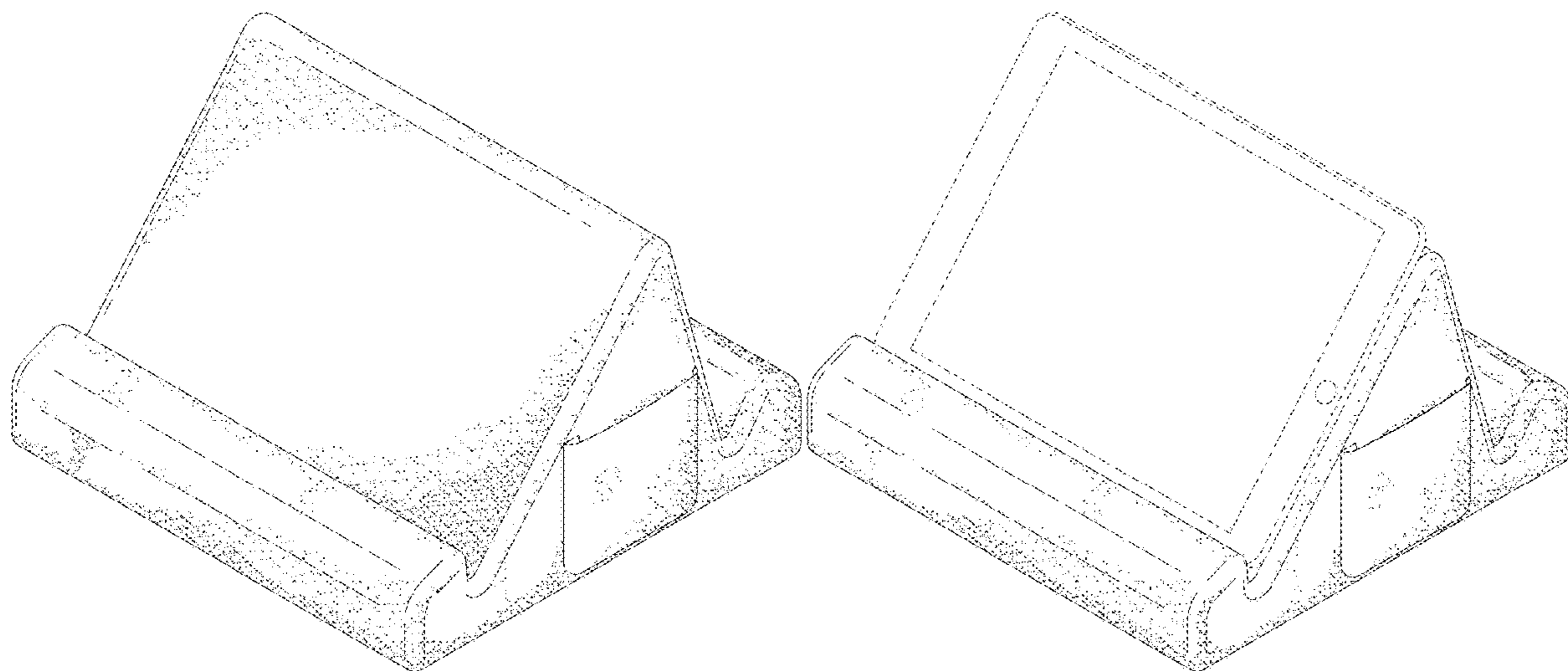
FIG. 7 is a bottom plan view thereof;

FIG. 8 is a top, front and right side perspective view thereof, shown in condition of use with a tablet computer supported on the front face disclosed in broken lines to illustrate an environment; and,

FIG. 9 is a top, rear and left side perspective view thereof, shown in condition of use with a tablet computer supported on the rear face.

The broken lines showing a tablet computer in FIGS. 8-9 represent environmental structure and form no part of the claimed design.

1 Claim, 9 Drawing Sheets



(56)

References Cited

U.S. PATENT DOCUMENTS

9,642,454 B2 * 5/2017 Cannon A47B 23/042
D842,849 S * 3/2019 Yun D14/253
D879,791 S * 3/2020 Li D14/447
D902,937 S * 11/2020 Solomon D14/451
2018/0364756 A1 * 12/2018 Lee F16M 11/00

OTHER PUBLICATIONS

Screen captures from YouTube video clip entitled “Duo Multi-Position Memory Foam Tablet Stand w/ Storage Pockets on QVC”, 2 pages, uploaded Dec. 5, 2019 by user “QVCtv”[site visited Nov. 22, 2020], Retrieved from Internet:<<https://www.youtube.com/watch?v=FdT-Q8AFK5o>> (Year: 2019).*

* cited by examiner

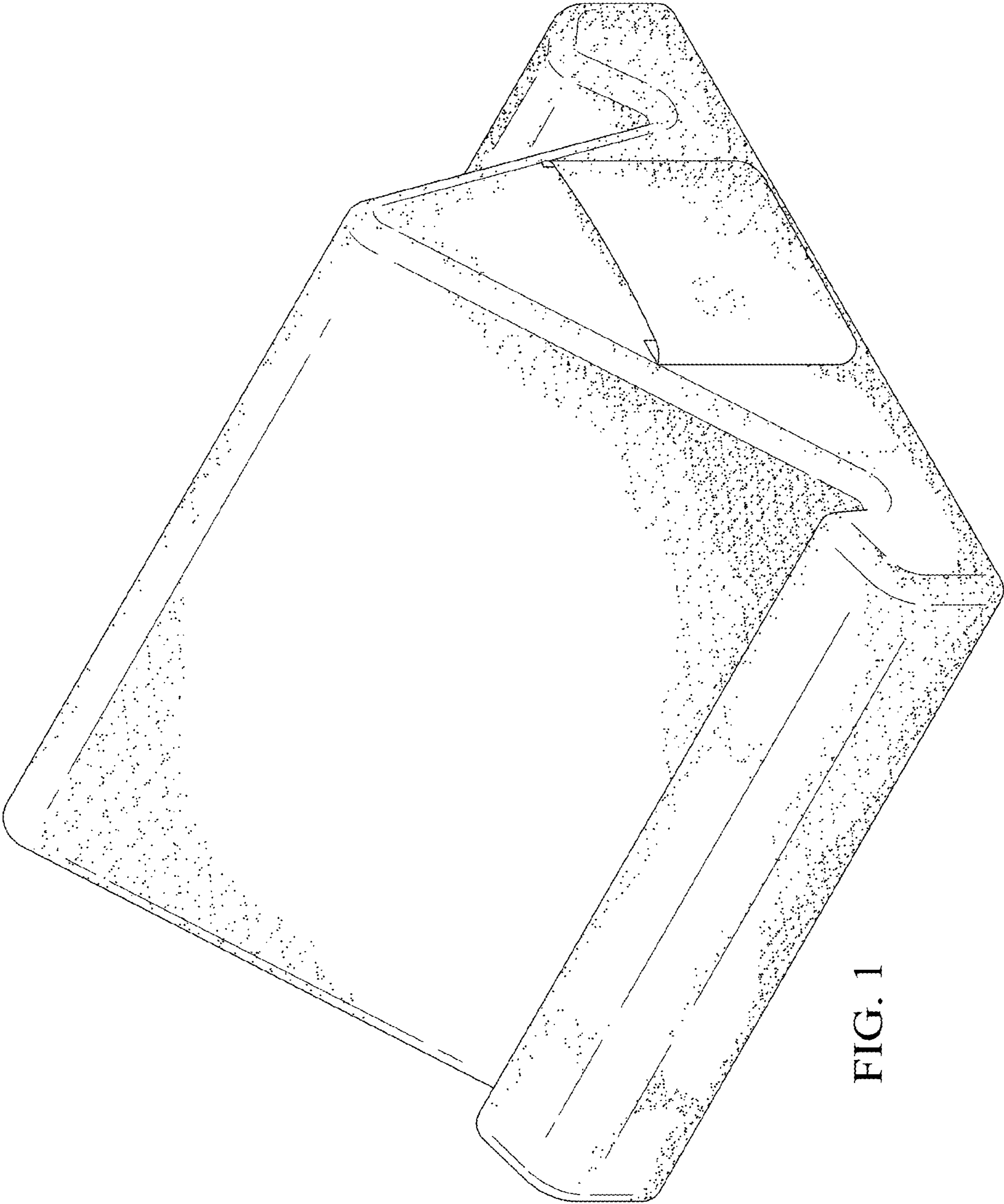


FIG. 1

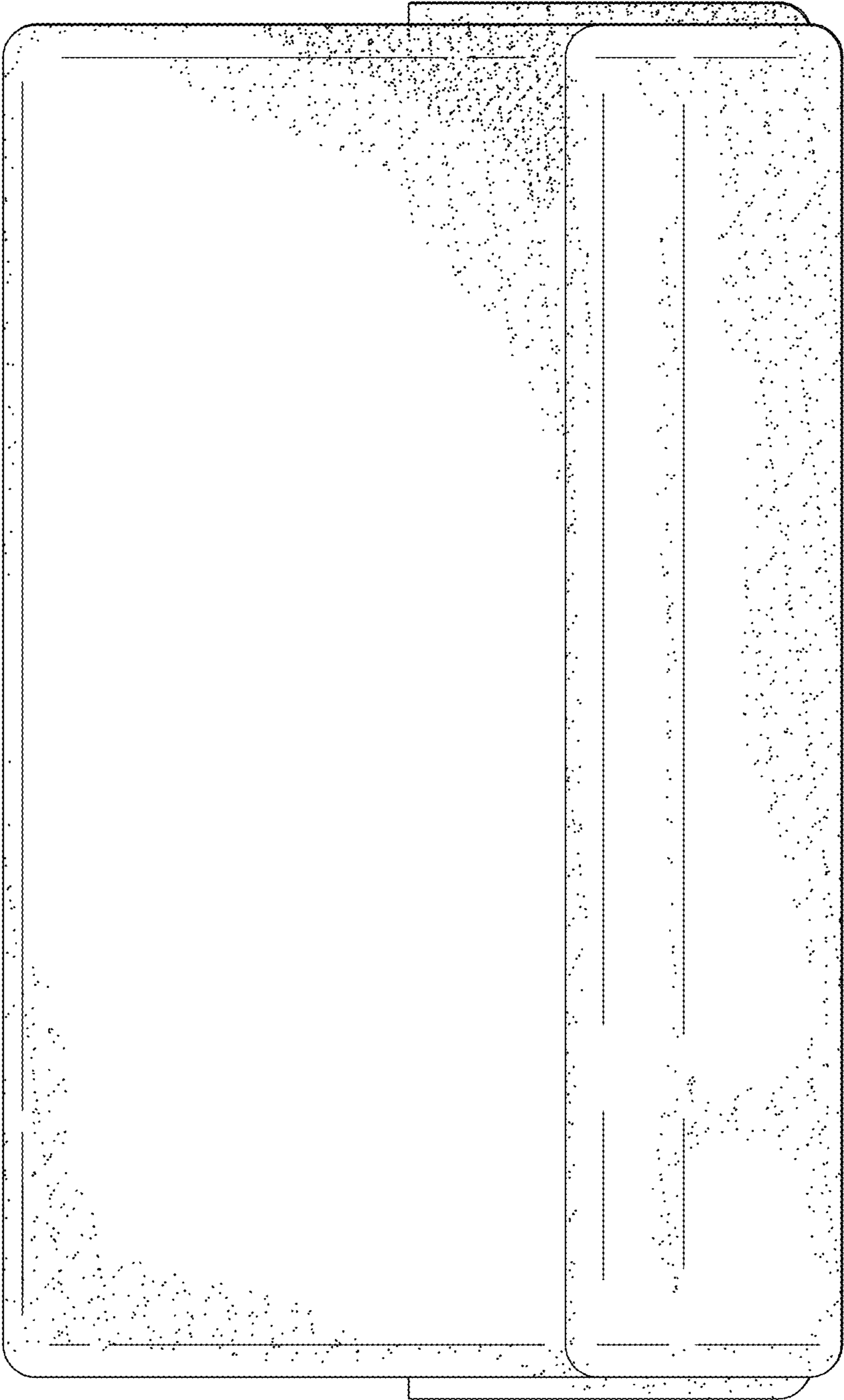


FIG. 2

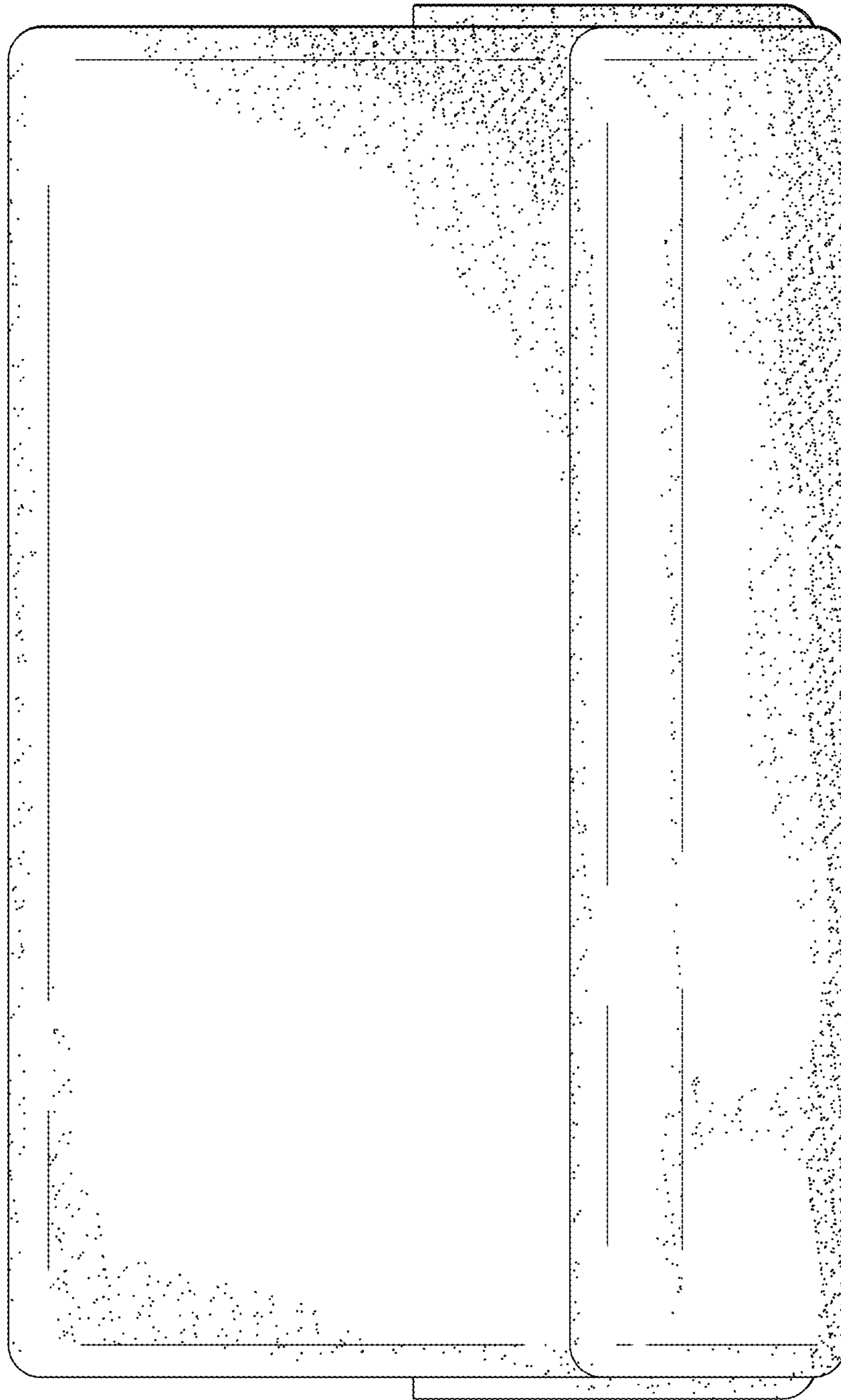


FIG. 3

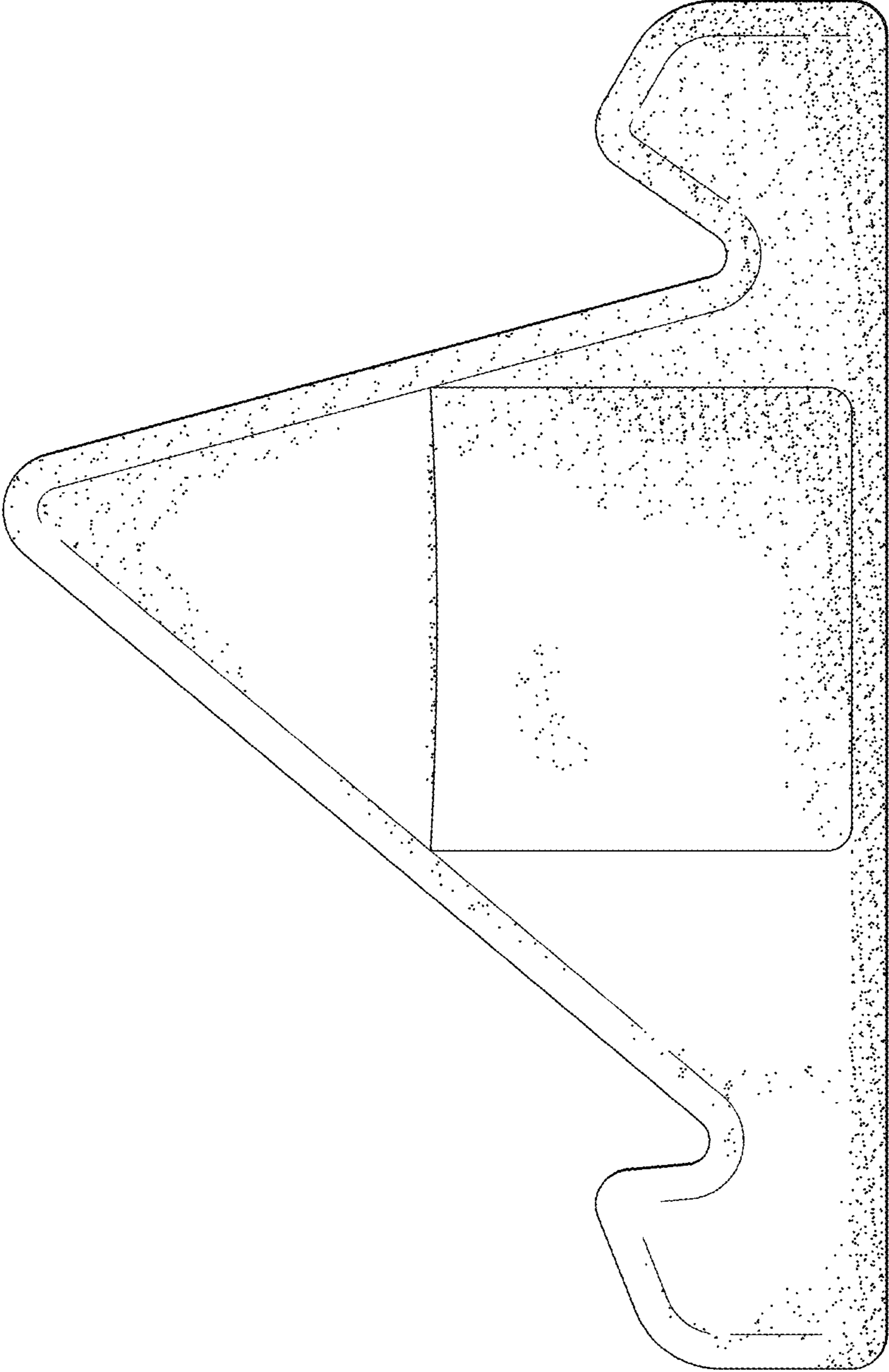


FIG. 4

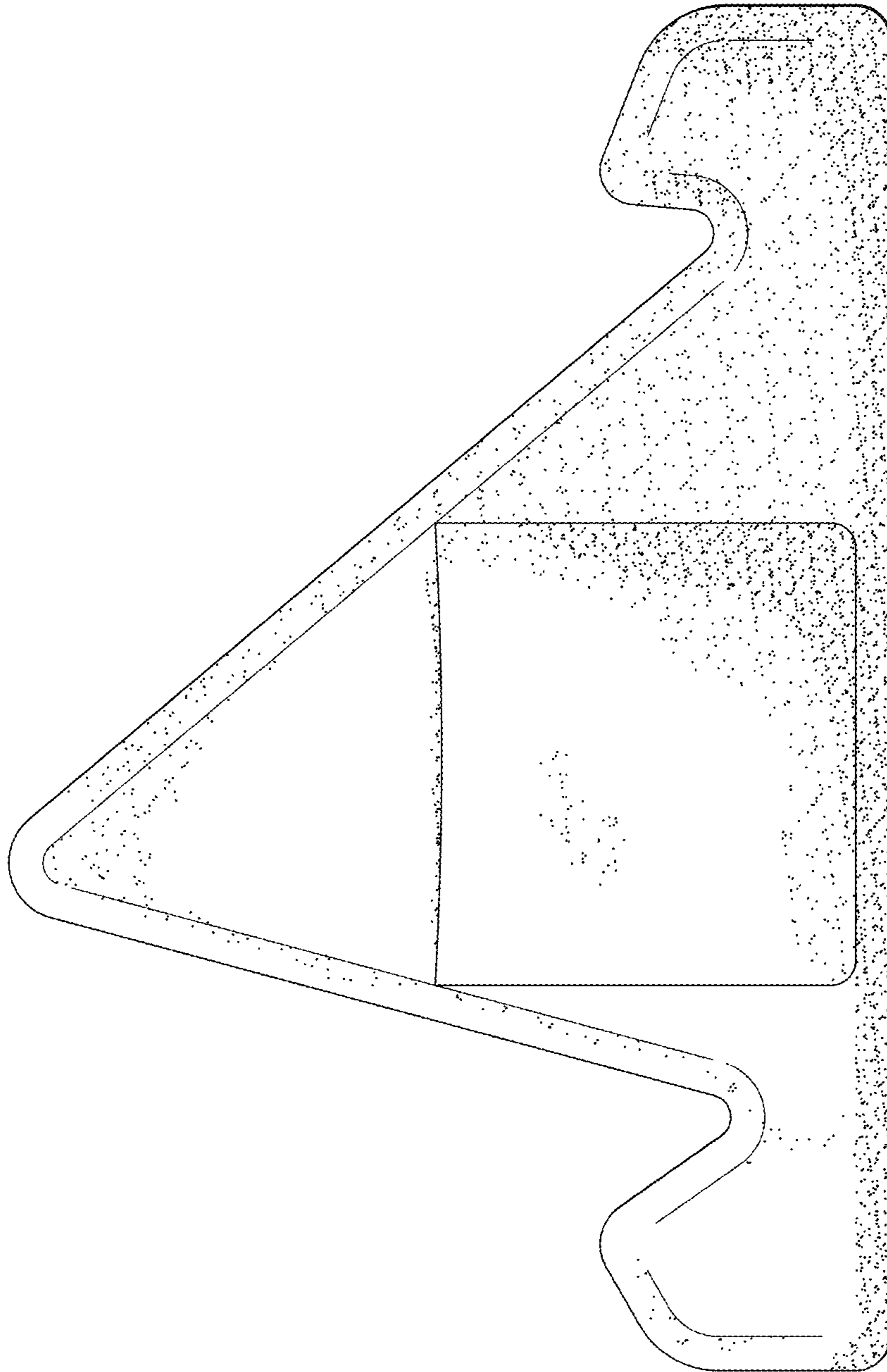


FIG. 5

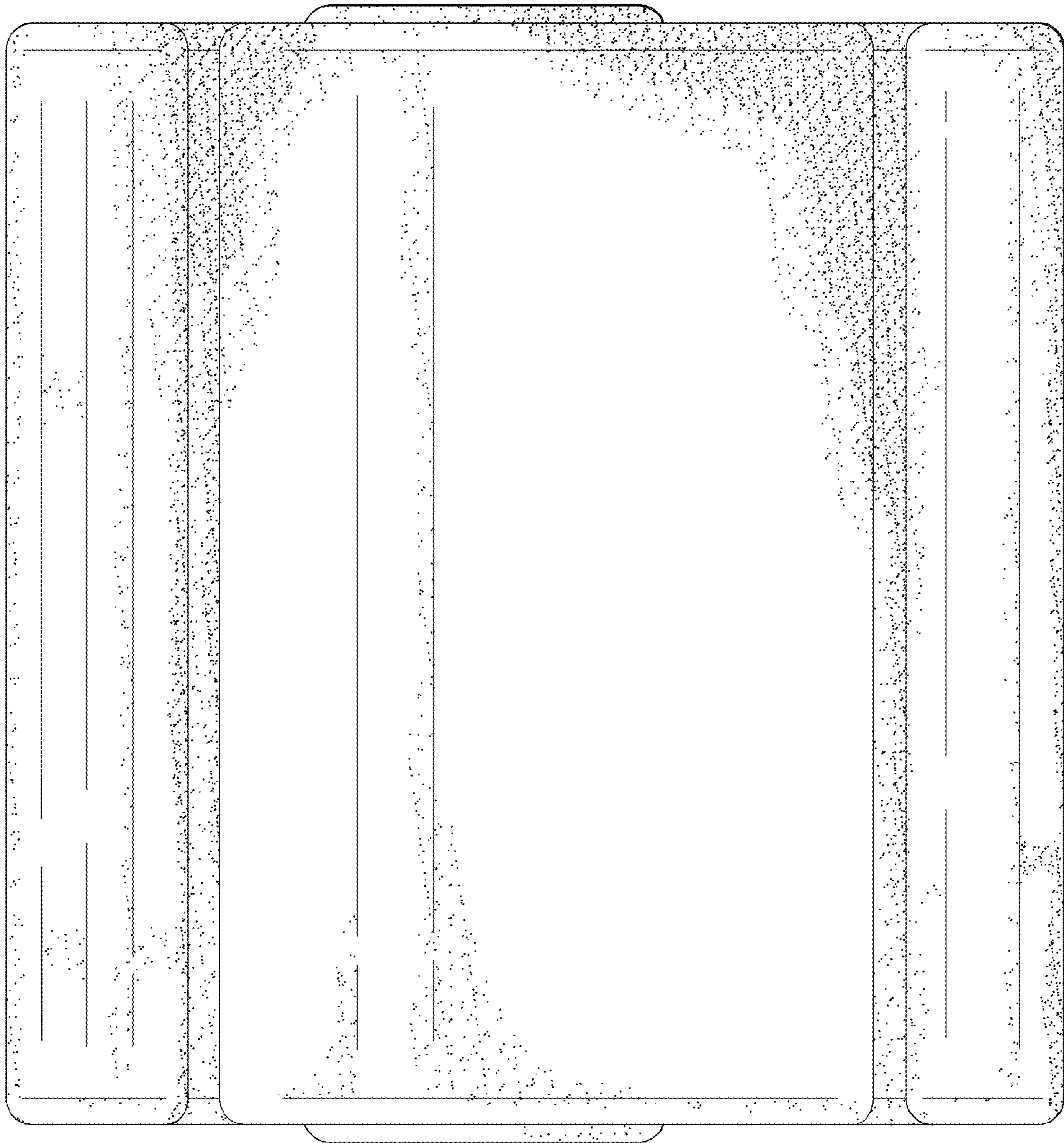


FIG. 6

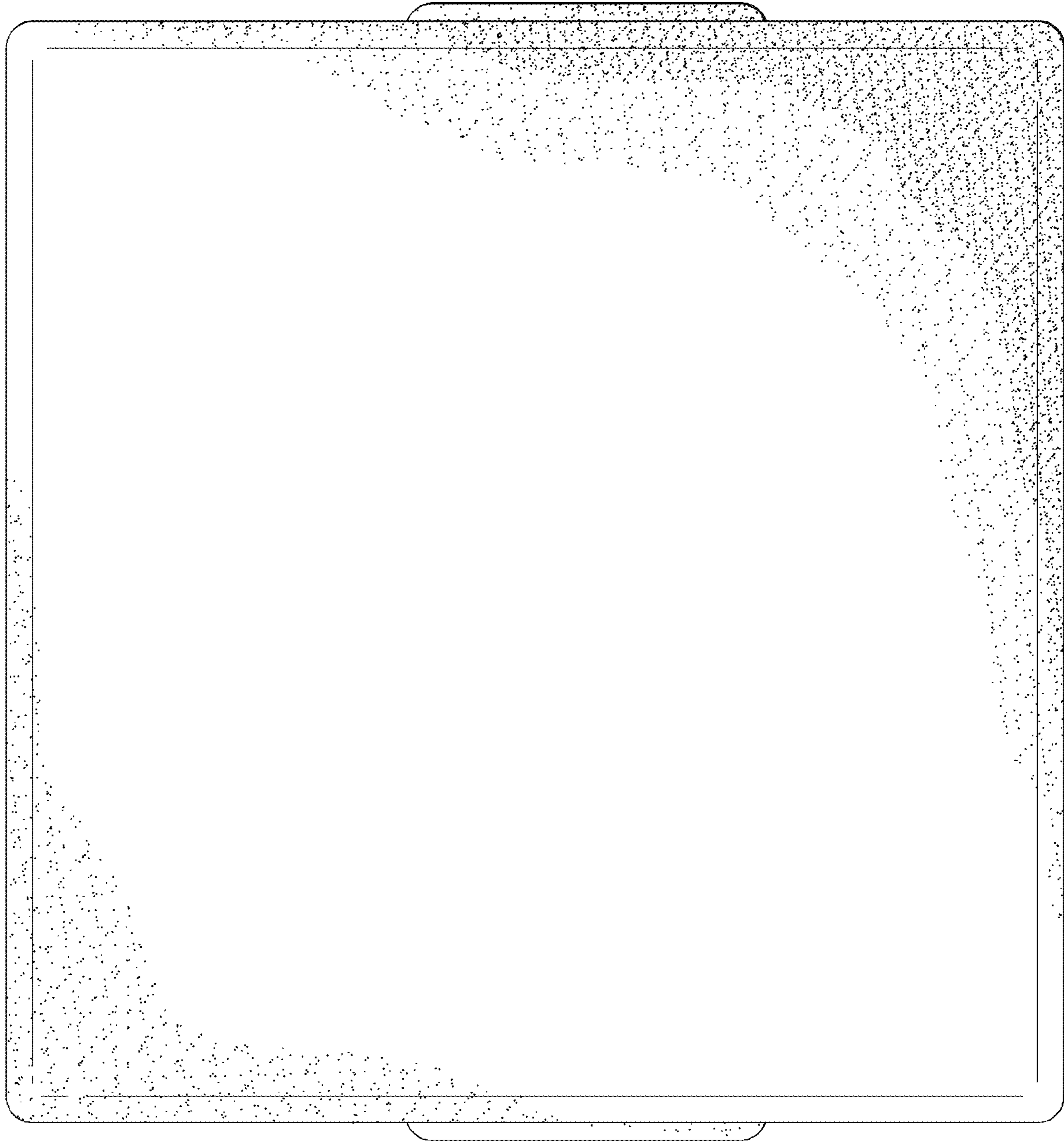


FIG. 7

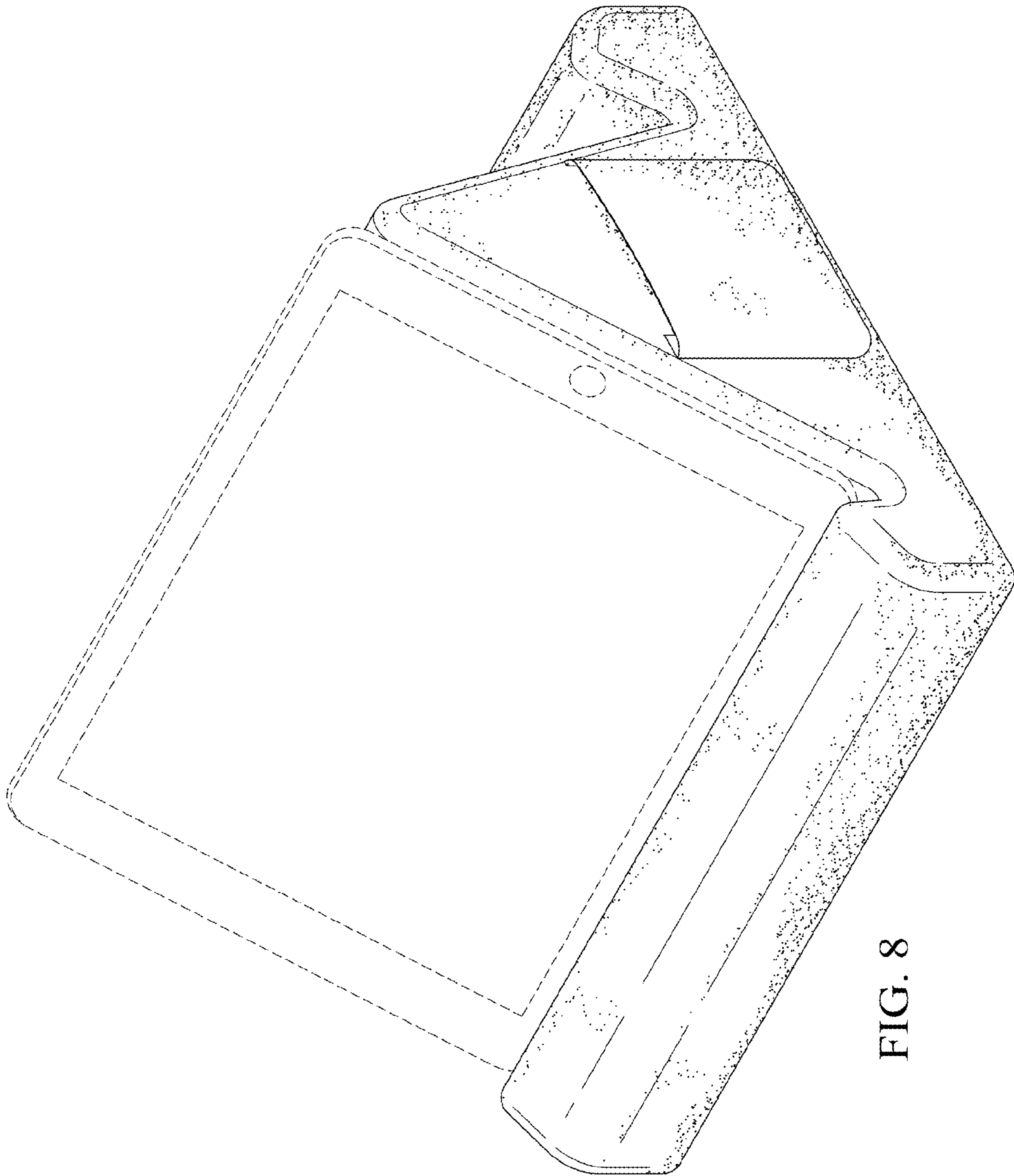


FIG. 8

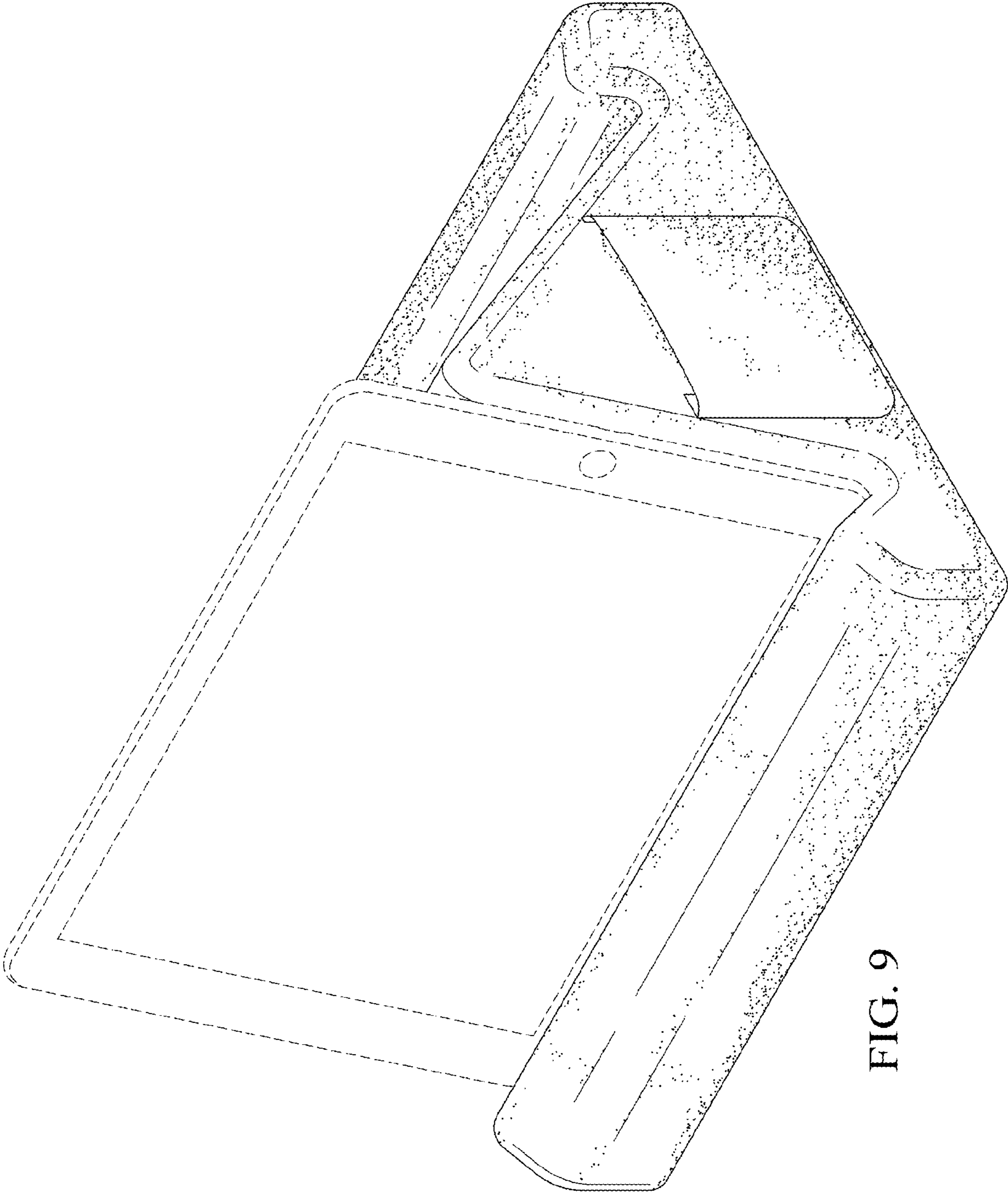


FIG. 9