



US00D933073S

(12) **United States Design Patent** (10) **Patent No.:** **US D933,073 S**
Hynecek et al. (45) **Date of Patent:** **** Oct. 12, 2021**

(54) **HOLDER FOR A MOBILE ELECTRONIC DEVICE**

FOREIGN PATENT DOCUMENTS

(71) Applicant: **Speculative Product Design, LLC**, San Mateo, CA (US)

CA 2831048 C 10/2015

(72) Inventors: **Bryan Lee Hynecek**, Redwood City, CA (US); **Mia Hutchinson**, San Mateo, CA (US); **Joyce Kung**, San Francisco, CA (US); **Colin Reed**, San Francisco, CA (US); **Minna Chong**, Oakland, CA (US); **Darrick Del Moral**, San Bruno, CA (US); **Sean Ng Pack**, San Francisco, CA (US); **Lizzie Wright**, San Francisco, CA (US)

OTHER PUBLICATIONS

“iGUY 91-Inch iPad Cases”, web, as published as of Aug. 2019, <<https://www.speckproducts.com/apple/ipad-cases/ipad-pro-9-7-cases/iguy-ipad-pro-9-7-cases/776412479.html>>, pp. 1-3.

(Continued)

Primary Examiner — Cynthia R Underwood
(74) *Attorney, Agent, or Firm* — Lerner, David, Littenberg, Krumholz & Mentlik, LLP

(73) Assignee: **Speculative Product Design, LLC**, San Mateo, CA (US)

(57) **CLAIM**

The ornamental design for a holder for a mobile electronic device, as shown and described.

(**) Term: **15 Years**

(21) Appl. No.: **29/675,720**

DESCRIPTION

(22) Filed: **Jan. 4, 2019**

Related U.S. Application Data

(63) Continuation-in-part of application No. 29/660,567, filed on Aug. 21, 2018.

(51) **LOC (13) Cl.** **14-02**

(52) **U.S. Cl.**
USPC **D14/440**

(58) **Field of Classification Search**
USPC D14/440, 447, 250; 206/45.23, 320, 206/45.2; 361/679.55; 294/25; 224/218
(Continued)

FIG. 1 is a upper side view of the holder for a mobile electronic device in accordance with a first embodiment of the invention.

FIG. 2 is a front view of the holder for a mobile electronic device in accordance with the first embodiment of the invention.

FIG. 3 is a left side view of the holder for a mobile electronic device in accordance with the first embodiment of the invention.

FIG. 4 is a right side view of the holder for a mobile electronic device in accordance with the first embodiment of the invention.

FIG. 5 is a lower side view of the holder for a mobile electronic device in accordance with the first embodiment of the invention.

FIG. 6 is a rear view of the holder for a mobile electronic device in accordance with the first embodiment of the invention; and,

FIG. 7 is a front upper-side perspective view of the holder for a mobile electronic device in accordance with the first embodiment of the invention.

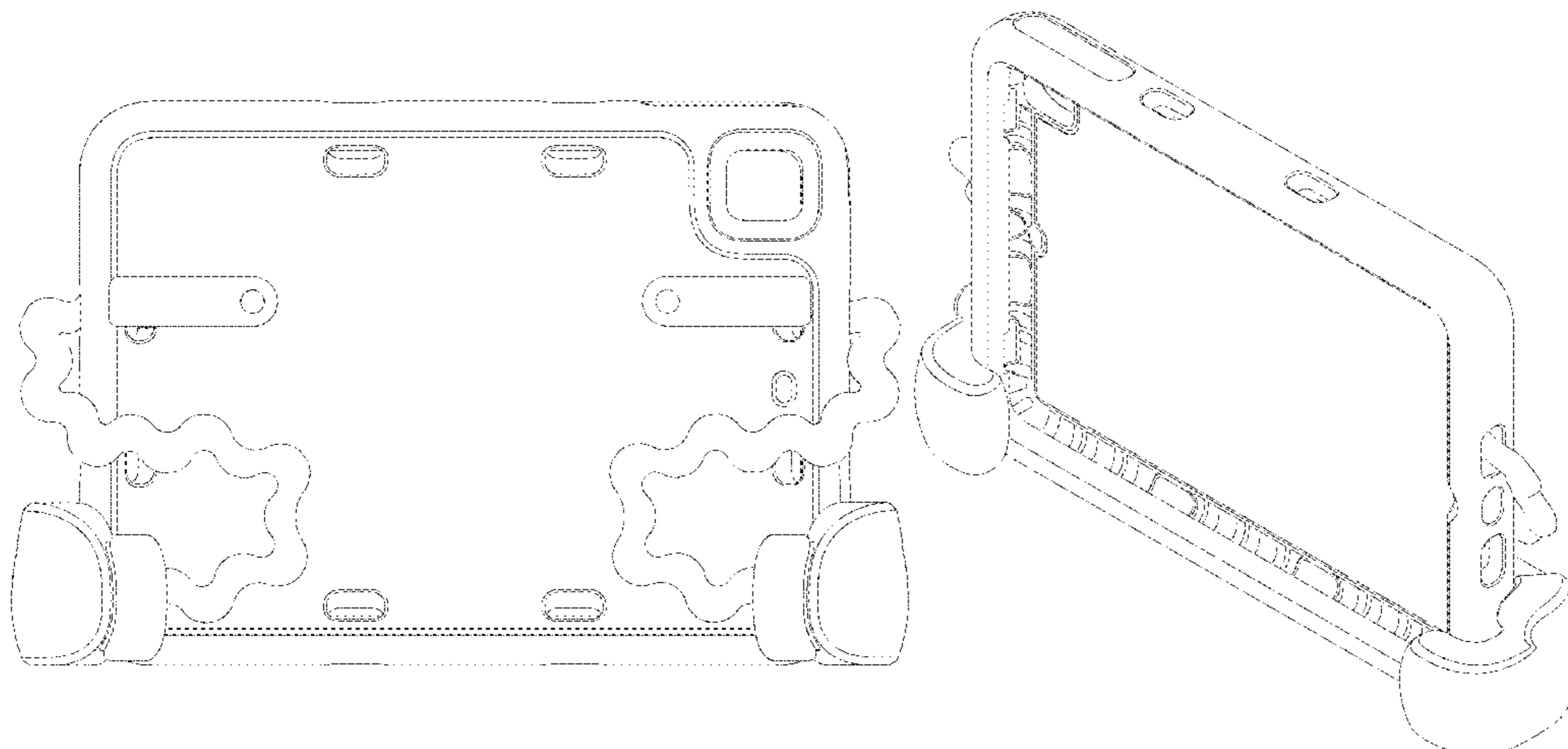
(Continued)

(56) **References Cited**

U.S. PATENT DOCUMENTS

4,479,318 A * 10/1984 Russell A47G 1/0633
206/454
5,433,023 A * 7/1995 Edwards B42F 5/06
40/778

(Continued)



The broken lines represent portions of the structure that forms no part of the claim.

1 Claim, 6 Drawing Sheets

(58) **Field of Classification Search**

CPC G06F 1/1628; G06F 1/1626; G06F 1/669;
A47B 23/044; H04B 1/3888
See application file for complete search history.

(56) **References Cited**

U.S. PATENT DOCUMENTS

D361,601 S *	8/1995	Goldman	D20/42
6,401,376 B2 *	6/2002	Cumberland	B42F 5/00 40/768
D595,360 S *	6/2009	Ogawa	D20/10
D676,851 S *	2/2013	Finnegan	D14/440
D703,750 S *	4/2014	Tsai	D19/99
D707,233 S *	6/2014	Sirichai	D14/447
D711,970 S *	8/2014	Bennett	D21/392
D723,037 S *	2/2015	Huang	D14/440
D731,492 S *	6/2015	Snyder	D14/440
D743,408 S	11/2015	Chen		
9,241,053 B2	1/2016	Ashley et al.		
D748,634 S *	2/2016	Hofer	D14/440
D757,017 S *	5/2016	Sirichai	D14/440
9,548,785 B2	1/2017	Rayner		
D778,272 S *	2/2017	Kim	D14/250

D787,494 S *	5/2017	Kim	D14/250
D787,496 S *	5/2017	Kim	D14/250
D788,091 S *	5/2017	Kim	D14/250
D792,886 S *	7/2017	Schwibner	D14/440
D809,498 S *	2/2018	Ahn	D14/250
D810,732 S *	2/2018	Fenton	D14/341
D839,866 S *	2/2019	Entwistle	D14/251
D852,799 S *	7/2019	Fenton	D14/440
D875,100 S *	2/2020	Chang	D14/440
10,601,971 B2 *	3/2020	Hatch	A61B 5/7445
10,728,372 B2 *	7/2020	Hynecek	H04M 1/04
10,793,084 B2	10/2020	Jiang et al.		
2012/0152990 A1	6/2012	Kulas		
2012/0314354 A1	12/2012	Rayner		
2013/0241381 A1	9/2013	Hynecek et al.		
2013/0271897 A1 *	10/2013	Limber	H04B 1/3888 361/679.01
2015/0195392 A1 *	7/2015	Nissenbaum	A45F 5/00 455/569.1

OTHER PUBLICATIONS

“iGUY 9.7-Inch iPad Pro Cases”, web, as published as of Jun. 2017, <<https://web.archive.org/web/20170629165752/http://www.speckproducts.com/apple/ipad-cases/ipad-pro-9-7-cases/iguy-ipad-pro-9-7-cases/IPP9-IG.html>>, pp. 1-3.
“iPad Pro Cases—iPad Pro Covers—Speck”, web, as published as of Jun. 2017, <<https://web.archive.org/web/20170606121641/http://www.speckproducts.com/apple/ipad-cases/ipad-pro-cases.html>>, pp. 1-15.

* cited by examiner

Fig. 1

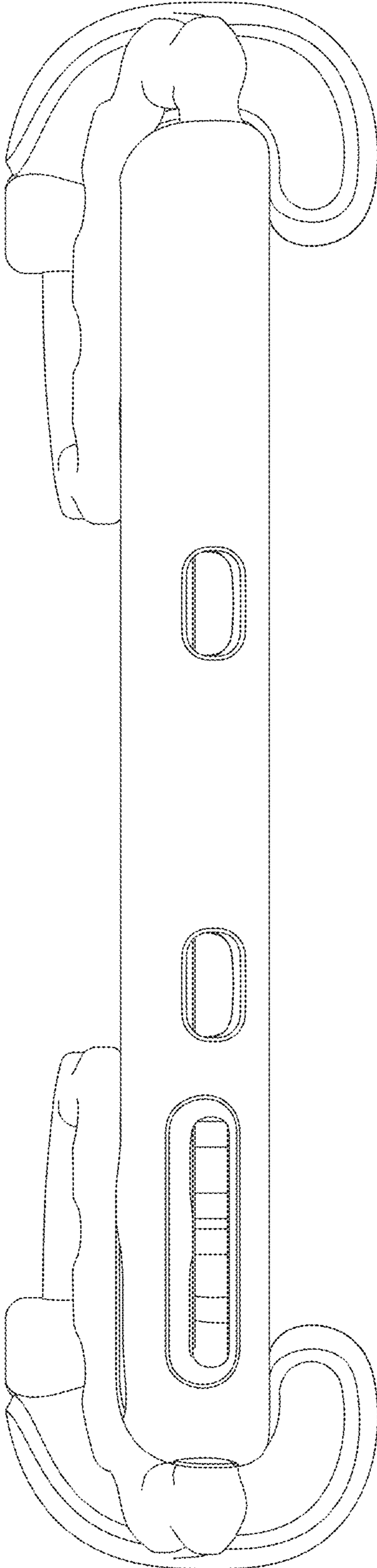


Fig. 2

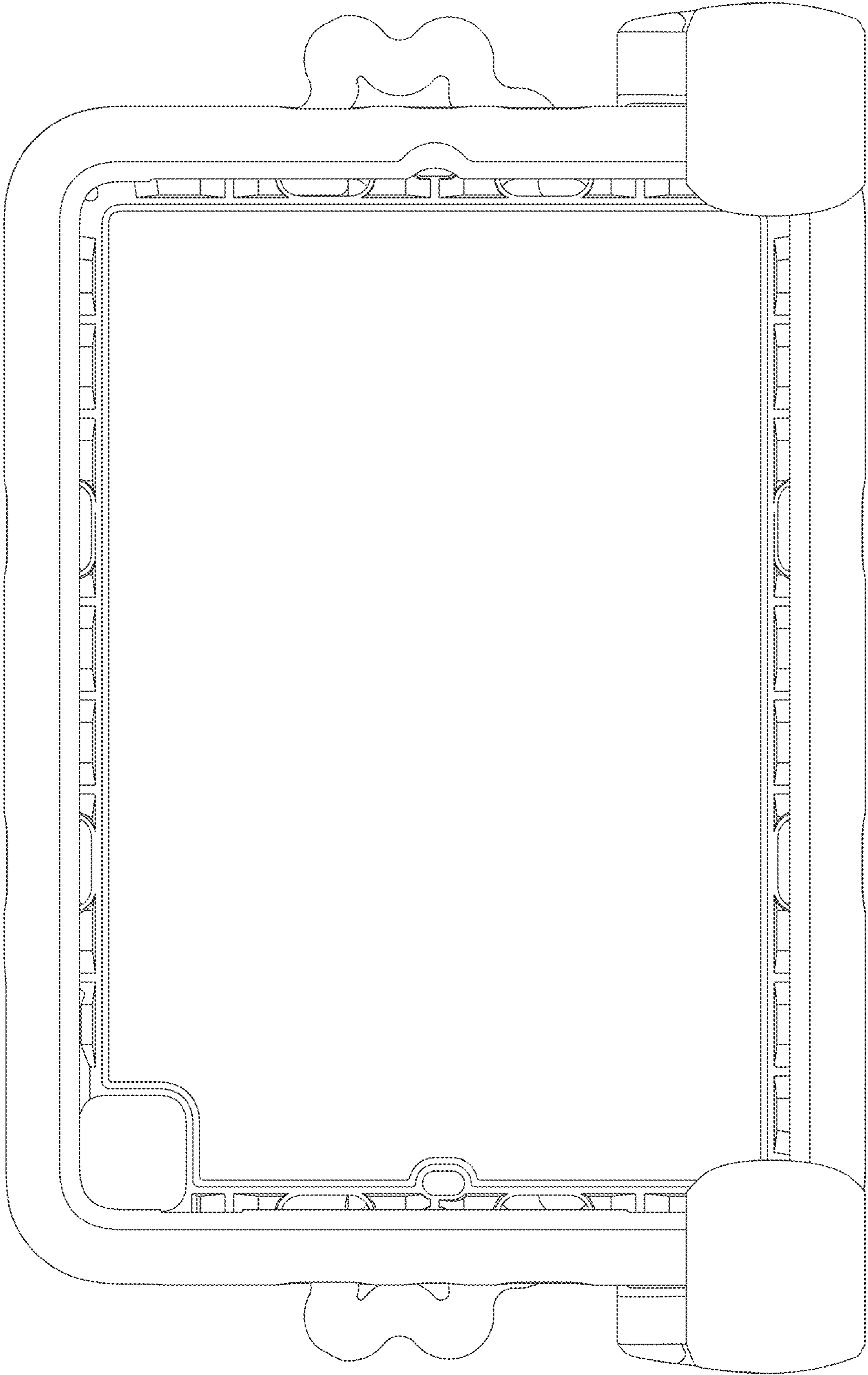


Fig. 4

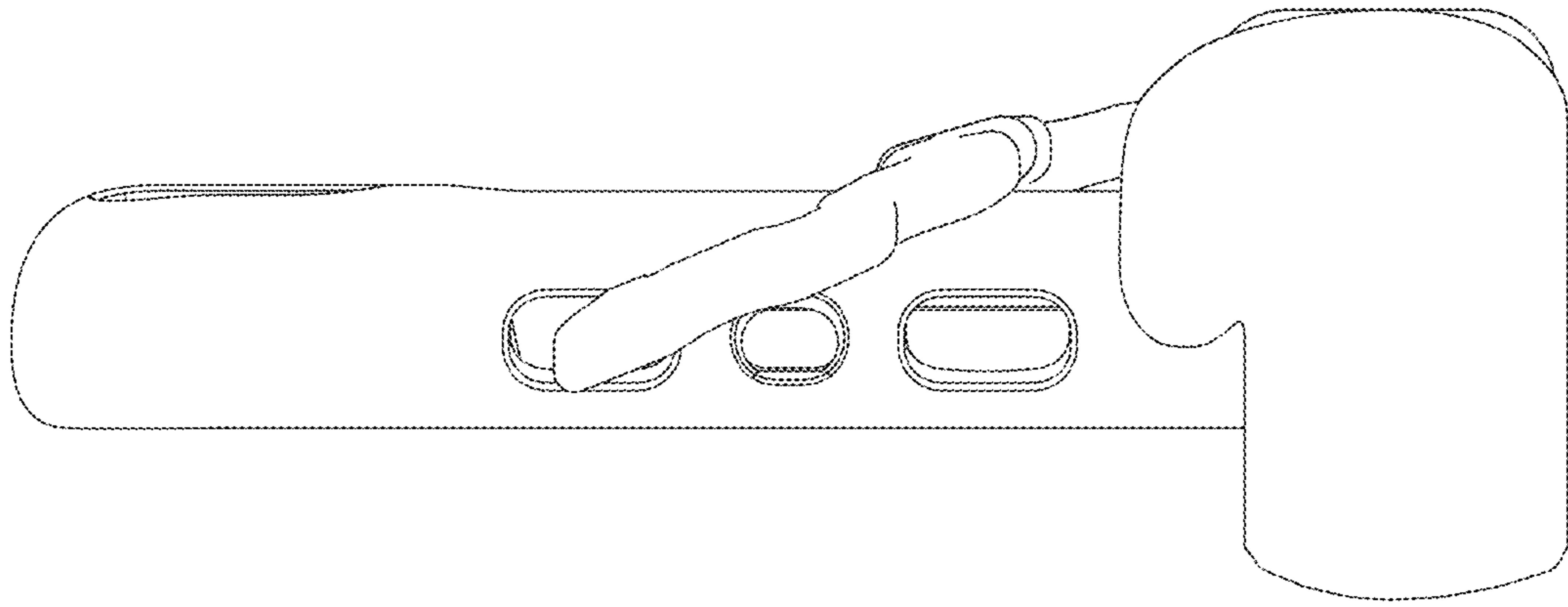


Fig. 3

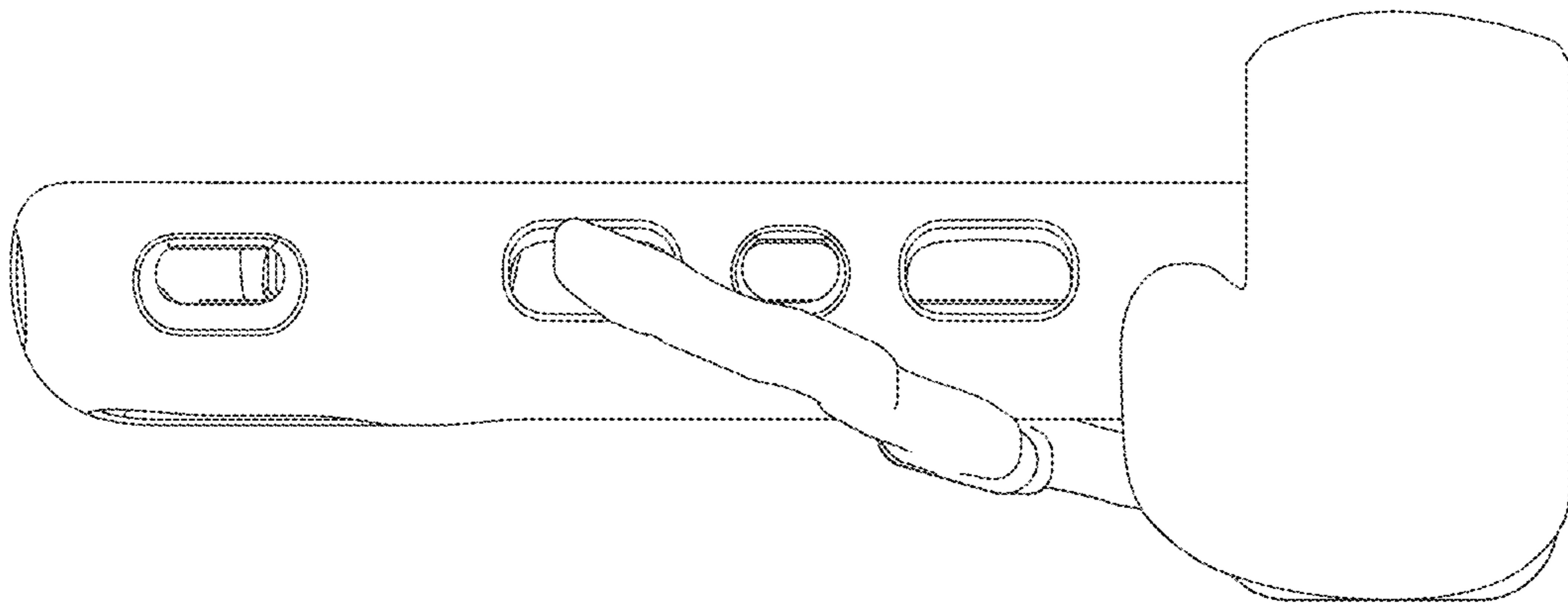


Fig. 5

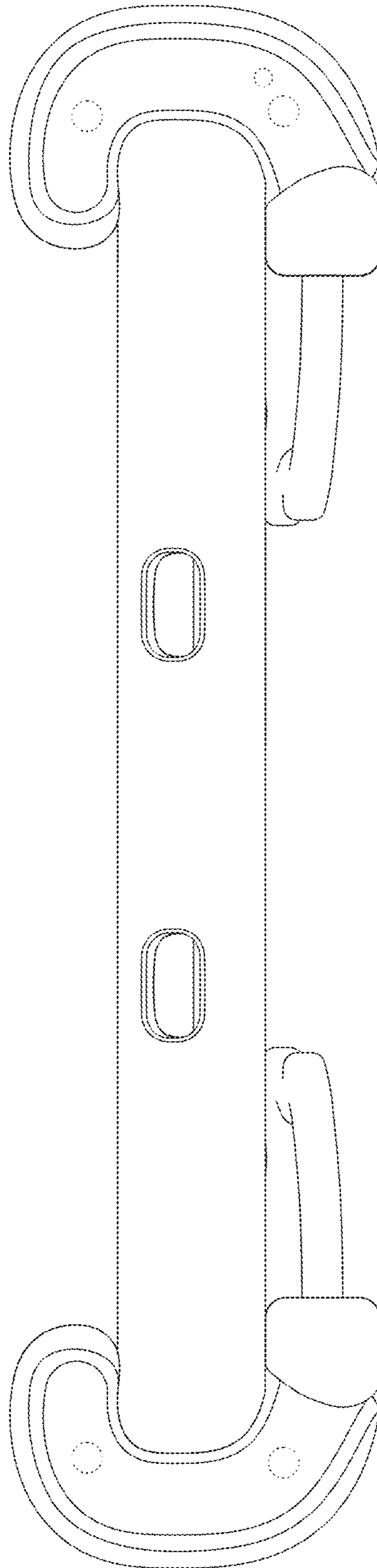


Fig. 6

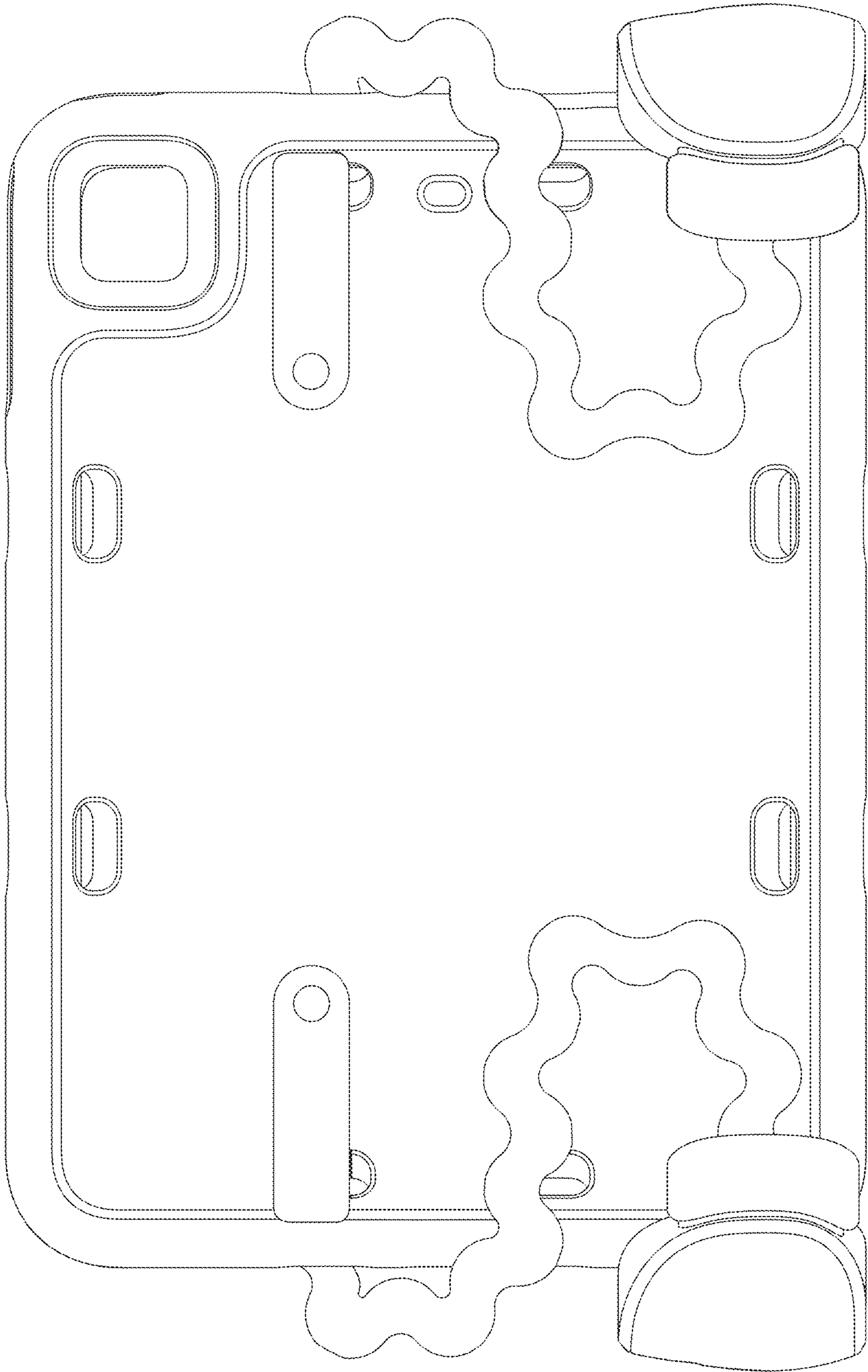


Fig. 7

