



US00D933071S

(12) **United States Design Patent** (10) **Patent No.:** **US D933,071 S**
Liu (45) **Date of Patent:** **** Oct. 12, 2021**

(54) **USB HUB**

(71) Applicant: **Xiangping Liu**, Shenzhen (CN)

(72) Inventor: **Xiangping Liu**, Shenzhen (CN)

(**) Term: **15 Years**

(21) Appl. No.: **29/689,011**

(22) Filed: **Apr. 26, 2019**

(30) **Foreign Application Priority Data**

Dec. 17, 2018 (CN) 201830730888.3

(51) **LOC (13) Cl.** **14-99**

(52) **U.S. Cl.**
USPC **D14/433**

(58) **Field of Classification Search**
USPC D14/240, 242, 356, 357, 358, 378, 383,
D14/384, 385, 386, 433, 434, 435.1,
D14/480.1, 480.3, 480.4, 480.5, 480.6,
D14/480.7; D13/103, 107, 108, 110, 146,
D13/139.6-139.8, 147, 184; D18/12,
D18/12.1, 12.3

CPC H01R 25/003; H01R 25/006; H01R 27/02;
H01R 31/005; H01R 13/60; H01R
13/6658; H01R 13/72; G06F 1/1607;
G06F 1/1632; G06F 1/1684; G06F 1/266;
G06F 11/325; G06F 13/00; G06F 13/12;
G06F 13/14; G06F 13/20; G06F 13/382;
G06F 13/4022; G06F 9/4413

See application file for complete search history.

(56) **References Cited**

U.S. PATENT DOCUMENTS

D696,195 S * 12/2013 Wen D13/110
D746,823 S * 1/2016 Lai D14/434
D788,112 S * 5/2017 Liao D14/433
D798,811 S * 10/2017 Liao D13/110

D828,839 S * 9/2018 Zhang D14/433
D828,840 S * 9/2018 Zhang D14/433
D828,841 S * 9/2018 Zhang D14/433
D856,277 S * 8/2019 Xu D13/108
D856,278 S * 8/2019 Turksu D13/108
D862,385 S * 10/2019 Turksu D13/108
D864,209 S * 10/2019 Wang D14/434
D869,467 S * 12/2019 Lin D14/434
D879,779 S * 3/2020 Liao D14/433
D880,481 S * 4/2020 Liao D14/433
D880,483 S * 4/2020 Fan D14/433
D894,132 S * 8/2020 Zhan D13/147
D896,220 S * 9/2020 Wu D14/357
D900,107 S * 10/2020 Wu D14/433
D900,108 S * 10/2020 Wu D14/433
D903,682 S * 12/2020 Zhang D14/433
D911,346 S * 2/2021 Turksu D14/433
D923,626 S * 6/2021 Zhang D14/433
D925,539 S * 7/2021 Wu D14/433

* cited by examiner

Primary Examiner — Angela J Lee
Assistant Examiner — Rebekah A Caruso

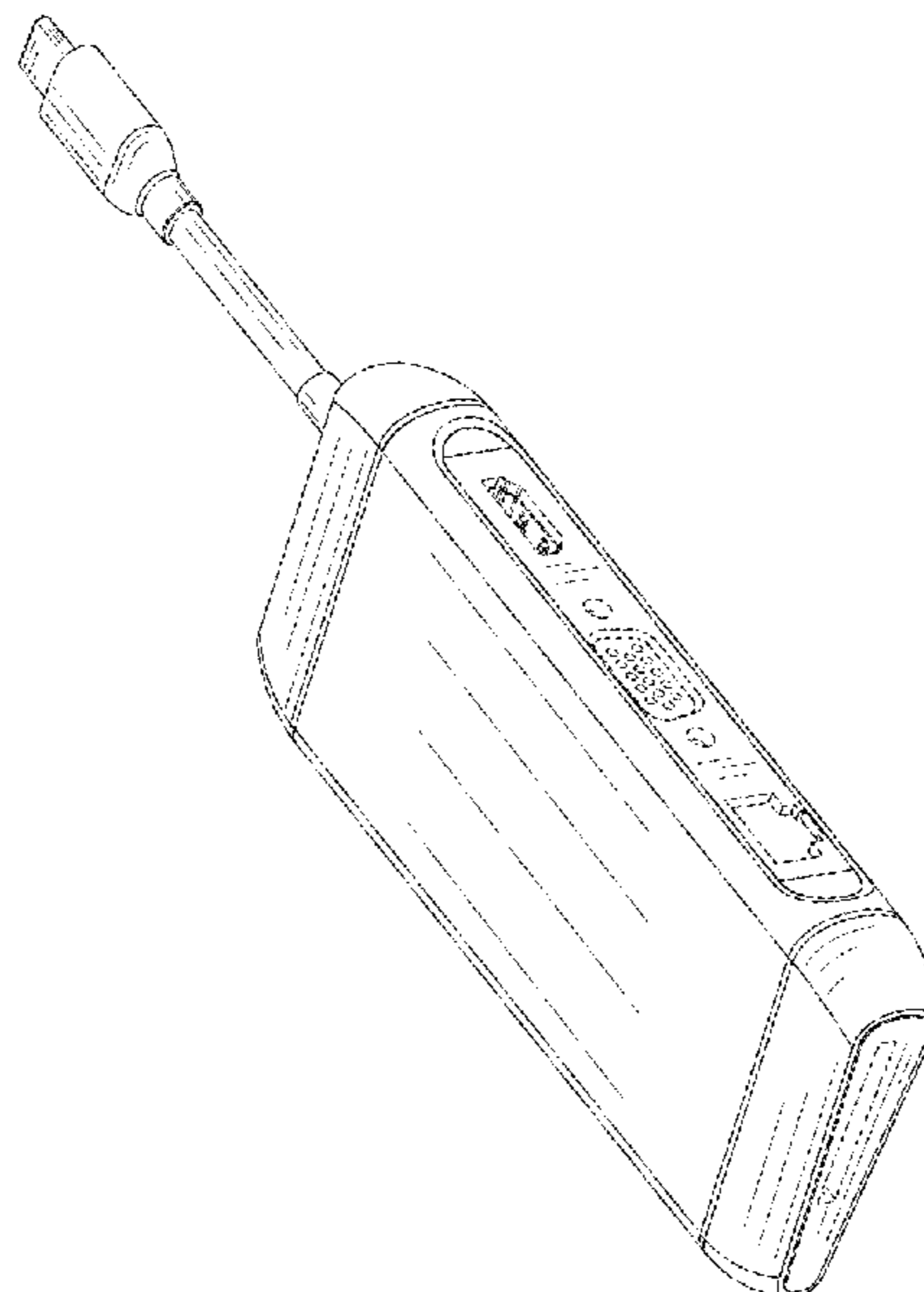
(57) **CLAIM**

The ornamental design for a USB hub, as shown and described.

DESCRIPTION

FIG. 1 is a front, top perspective view of the USB hub showing my new design;
FIG. 2 is a front, bottom perspective view thereof;
FIG. 3 is a front elevational view thereof;
FIG. 4 is a rear elevational view thereof;
FIG. 5 is a left side elevational view thereof;
FIG. 6 is a right side elevational view thereof;
FIG. 7 is a top plan view thereof; and,
FIG. 8 is a bottom plan view thereof.
The broken lines of the figures depict the portions of the article that form no part of the claimed design.

1 Claim, 8 Drawing Sheets



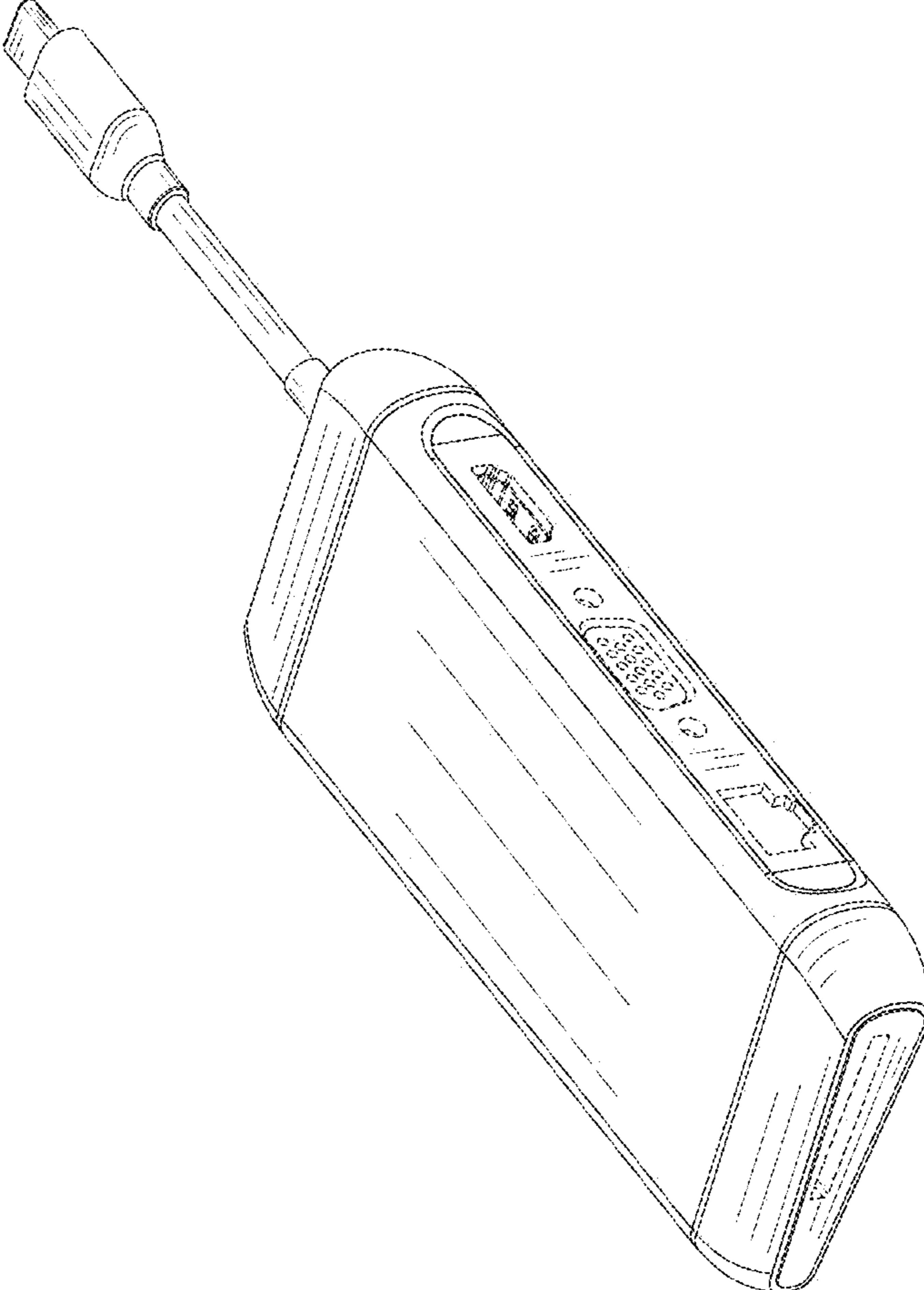


FIG.1

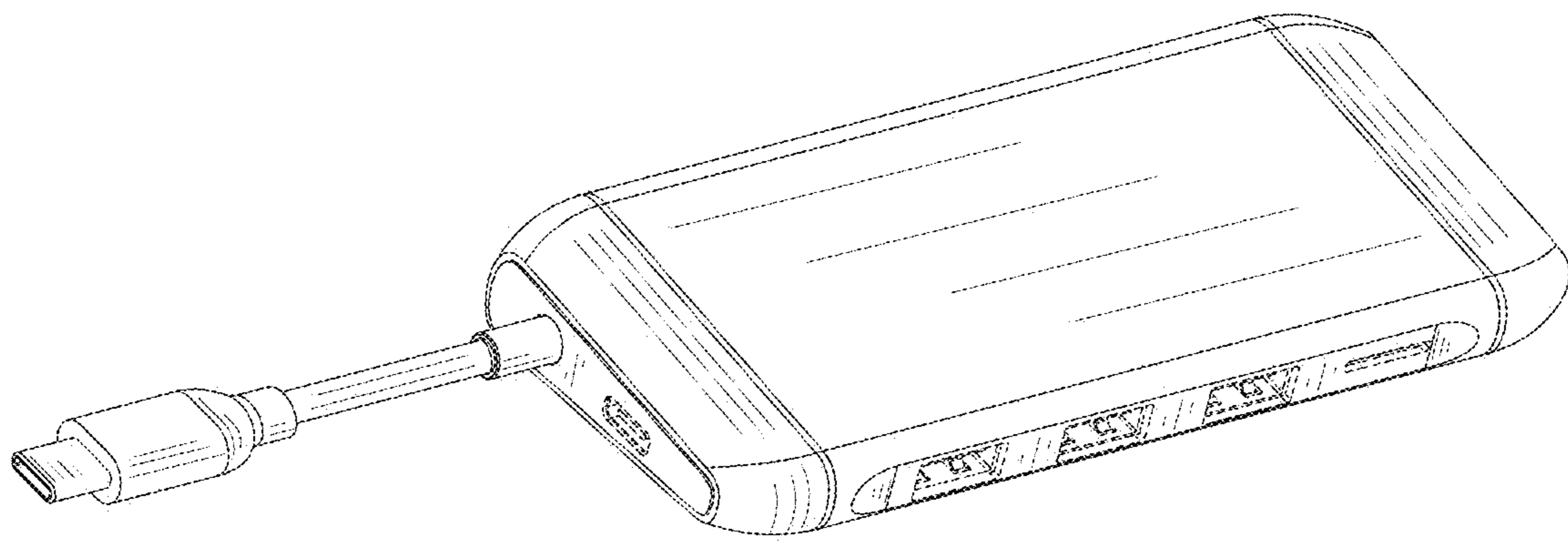


FIG.2

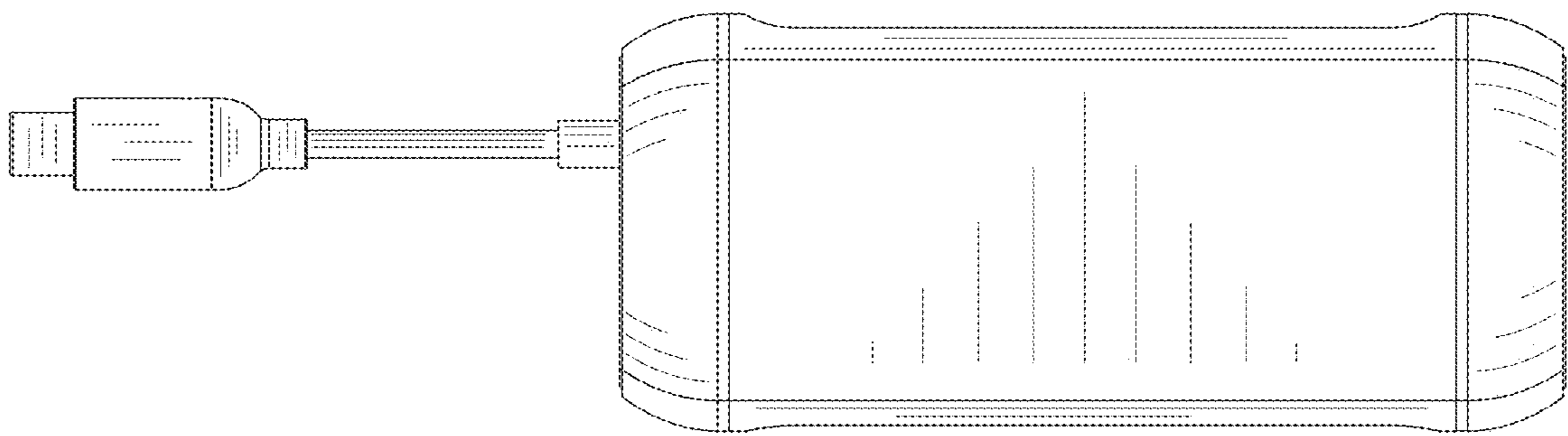


FIG.3

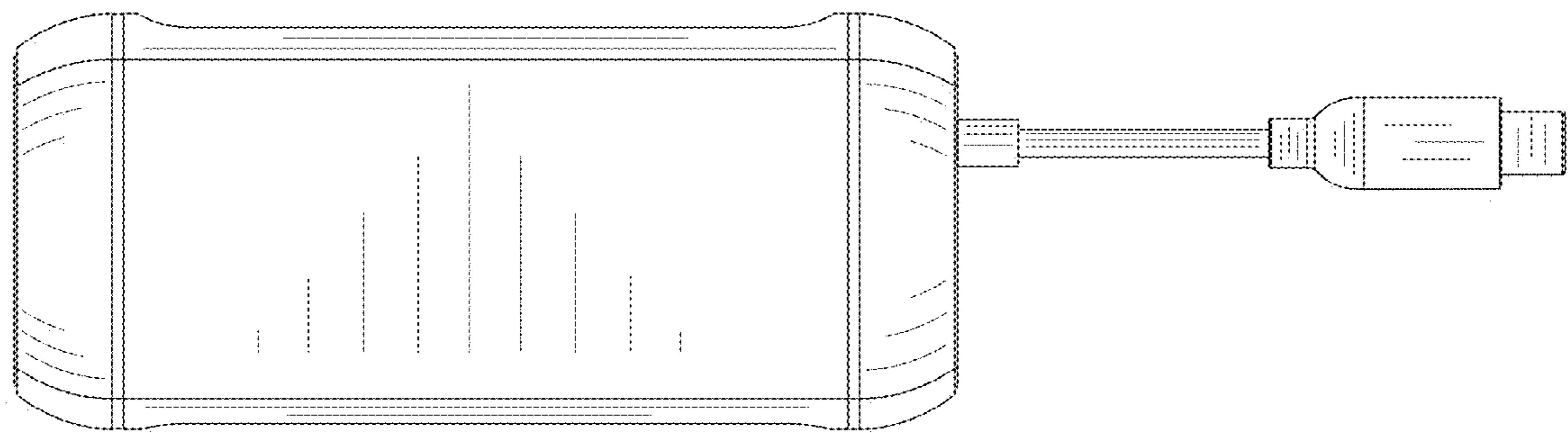


FIG.4

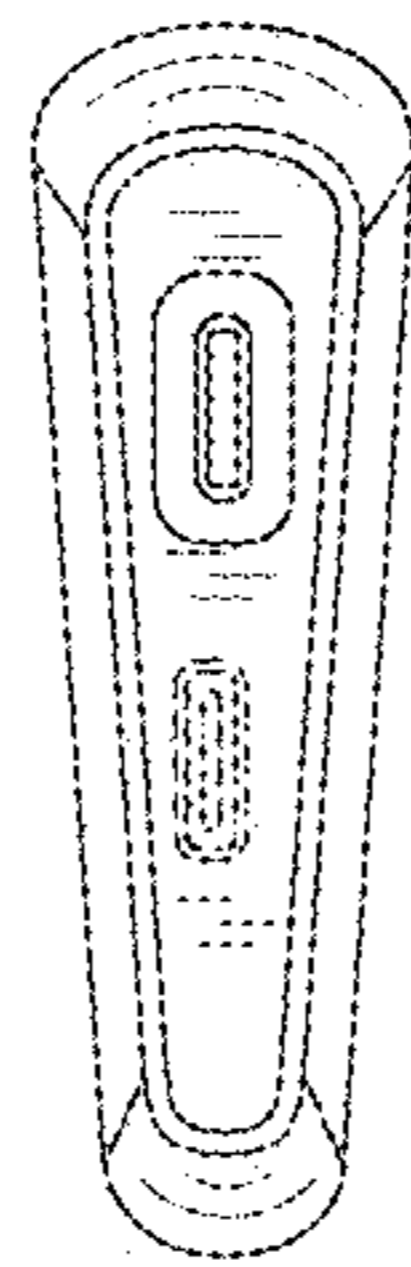


FIG.5

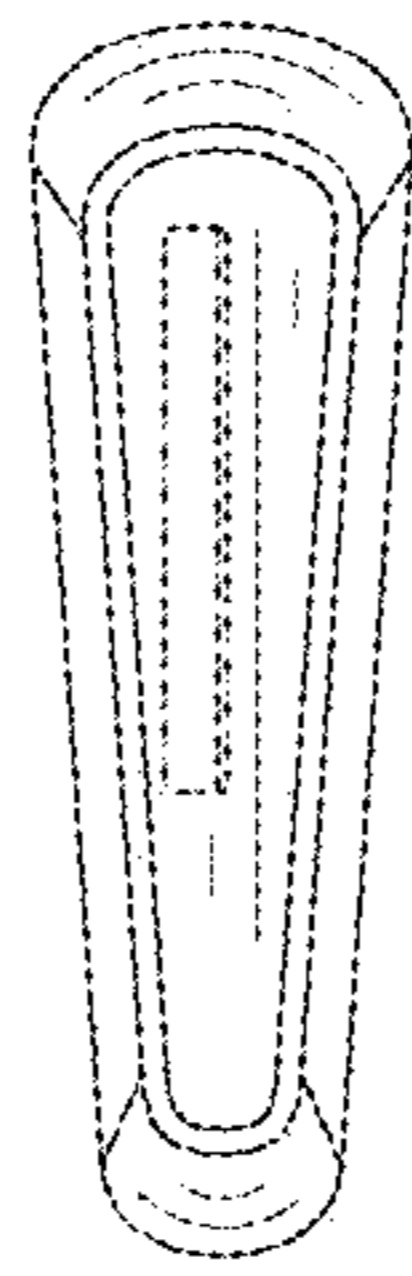


FIG.6

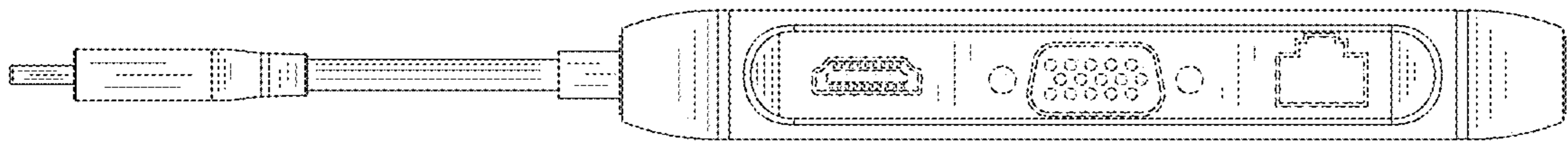


FIG.7

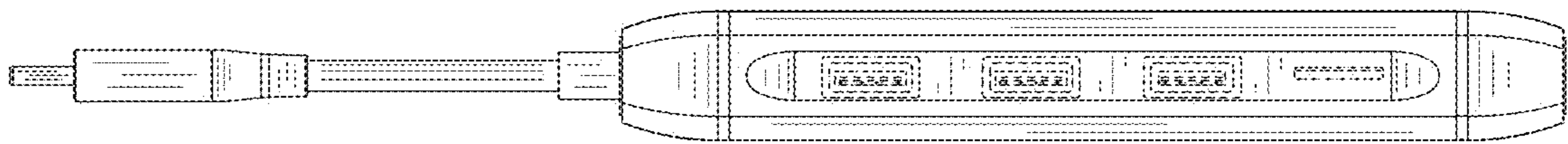


FIG.8