



US00D933068S

(12) **United States Design Patent** (10) **Patent No.:** **US D933,068 S**
Raken et al. (45) **Date of Patent:** **** Oct. 12, 2021**

(54) **KEYBOARD**

FOREIGN PATENT DOCUMENTS

(71) Applicant: **Microsoft Corporation**, Redmond, WA (US)

CN 303710822 * 6/2016
JP 1392438 S 7/2010

(Continued)

(72) Inventors: **Jan Raken**, Seattle, WA (US);
Katherine Bailey, Seattle, WA (US);
Todd Pleake, Sammamish, WA (US);
James Alec Ishihara, Bellevue, WA (US);
Karsten Aagaard, Monroe, WA (US)

OTHER PUBLICATIONS

Surface Pro X Signature Keyboard with Slim Pen Bundle, Microsoft, microsoft.com, author and date unlisted © 2020 Microsoft, online, site visited Dec. 15, 2020. Available from Internet, URL: <https://www.microsoft.com/en-US/p/surface-pro-x-signature-keyboard-with-slim-pen-bundle/8n0kt2q6snrt?act...> (Year: 2020).*

(Continued)

(73) Assignee: **Microsoft Corporation**, Redmond, WA (US)

Primary Examiner — Lakiya G Rogers
Assistant Examiner — Altaira J Swangin

(**) Term: **15 Years**

(74) *Attorney, Agent, or Firm* — Banner & Witcoff, Ltd.

(21) Appl. No.: **29/707,897**

(22) Filed: **Oct. 1, 2019**

(57) **CLAIM**

The ornamental design for a keyboard, as shown and described.

(51) **LOC (13) Cl.** **14-02**

(52) **U.S. Cl.**
USPC **D14/391**

DESCRIPTION

(58) **Field of Classification Search**
USPC D14/247, 315–327, 331–333, 338,
D14/345–347, 387, 390–401, 406, 429,
D14/455–457, 460–461, 447, 459, 203.8,
D14/209.1; D18/1–2, 4.1–4.6, 7, 11,
D18/12.2, 52; D21/324, 409; 341/22–23,
341/26; 345/168–173; 361/679.08,
361/679.09, 679.11, 679.14, 679.17,
361/679.26, 679.27, 786; 708/142–146;
(Continued)

FIG. 1 is a perspective view of a keyboard showing our new design;
FIG. 2 is a front view thereof;
FIG. 3 is a left side view thereof;
FIG. 4 is a right side view thereof;
FIG. 5 is a bottom view thereof;
FIG. 6 is a top view thereof; and,
FIG. 7 is a rear view thereof.

The claim is directed to the solid edge surrounding the keyboard and the shaded surfaces on the front of the keyboard. The dash-dot broken line depicts a boundary and the evenly spaced broken lines depict portions of the keyboard that form no part of the claimed design. Any unshaded surfaces that are between solid line and broken line form no part thereof.

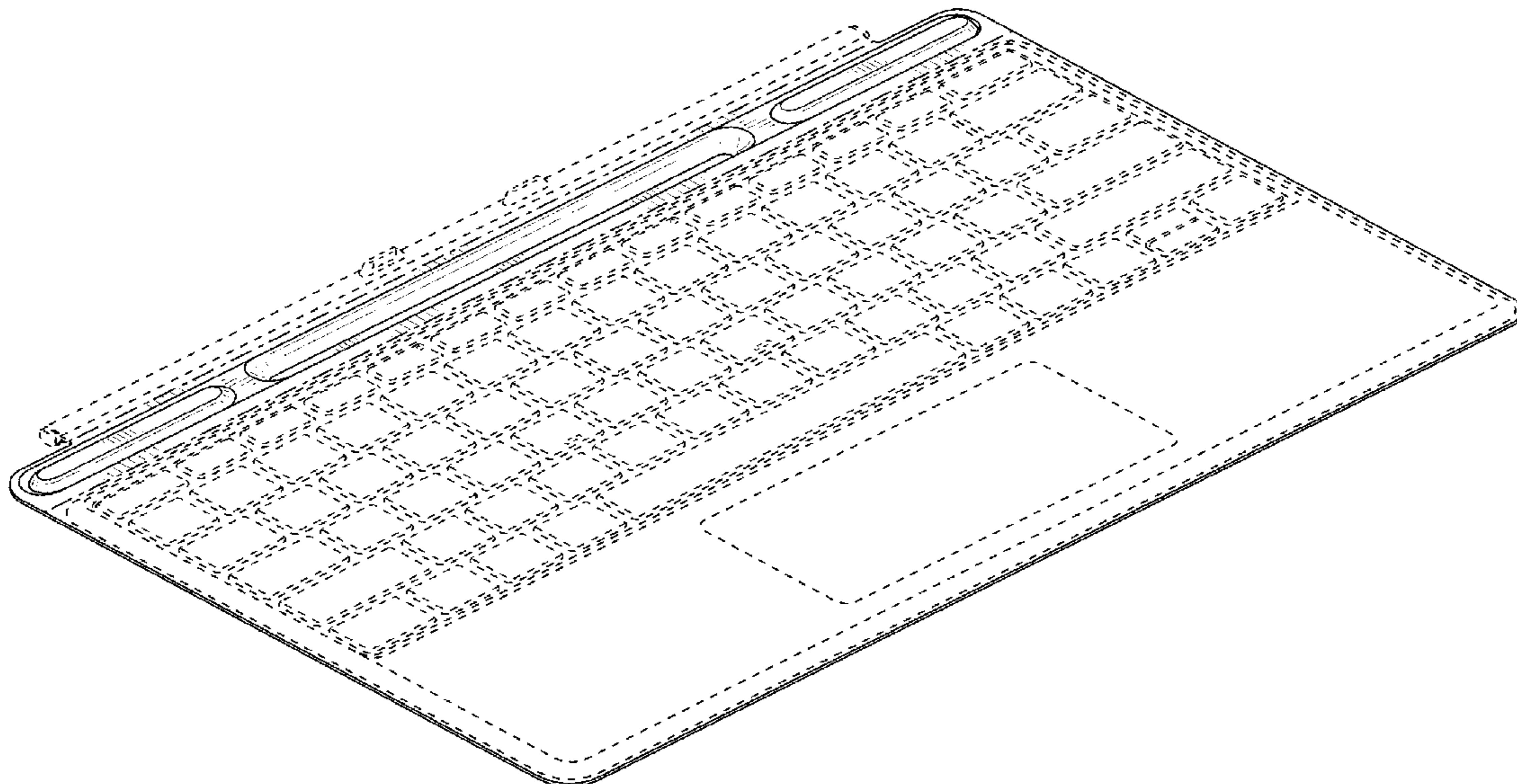
(56) **References Cited**

U.S. PATENT DOCUMENTS

D538,096 S * 3/2007 Bartell D6/613
D538,575 S * 3/2007 Bartell D6/613

(Continued)

1 Claim, 4 Drawing Sheets



(58) **Field of Classification Search**

USPC 235/8, 12, 15, 26–27, 145 A, 145 R, 146,
235/61 PE

CPC B41J 5/00; B41J 5/10; B41J 5/12; G06F
3/021; G06F 3/0216; G06F 3/0219; G06F
3/02

See application file for complete search history.

2016/0062413	A1*	3/2016	Sano	E05D 11/10 361/679.09
2016/0091934	A1*	3/2016	Oakley	G06F 1/1632 361/679.55
2017/0153665	A1*	6/2017	Tsai	G06F 1/1616
2017/0220076	A1*	8/2017	Gerbus	G06F 1/1632
2018/0019081	A1*	1/2018	Ascorra	G06F 1/1616
2018/0136697	A1*	5/2018	Lee	G06F 1/1681
2020/0183462	A1*	6/2020	Li	F16C 11/04

(56)

References Cited

U.S. PATENT DOCUMENTS

D678,277	S *	3/2013	Groene	D14/391
D678,880	S *	3/2013	Groene	D14/391
D678,881	S *	3/2013	Groene	D14/391
D678,882	S *	3/2013	Groene	D14/391
D684,983	S *	6/2013	Wu	D14/455
D688,242	S *	8/2013	Smith	D14/391
D696,262	S	12/2013	Groene et al.		
D705,227	S *	5/2014	Groene	D14/392
D720,748	S	1/2015	Groene et al.		
D729,767	S *	5/2015	Lee	D14/209.1
D731,485	S *	6/2015	Kim	D14/392
D731,486	S *	6/2015	Kim	D14/392
D732,044	S *	6/2015	Longo	D14/440
D733,153	S *	6/2015	Longo	D14/440
D746,293	S *	12/2015	Park	D14/455
D748,094	S *	1/2016	Mecchella	D14/391
D750,629	S	3/2016	Kim et al.		
D751,553	S *	3/2016	Kim	D14/392
D754,659	S *	4/2016	Kim	D14/392
D754,660	S	4/2016	Kim et al.		
D756,364	S *	5/2016	Hong	D14/440
D761,267	S *	7/2016	Chen	D14/455
D780,758	S *	3/2017	Bailey	D14/392
D791,135	S *	7/2017	Jung	D14/391
D791,780	S	7/2017	Bailey et al.		
D799,485	S	10/2017	Kim et al.		
D799,495	S	10/2017	Bailey et al.		
D807,365	S *	1/2018	Liu	D14/440
D807,889	S *	1/2018	Kim	D14/440
D819,639	S *	6/2018	Raken	D14/391
D822,025	S *	7/2018	Kim	D14/392
D870,117	S *	12/2019	Akana	D14/457
D898,028	S *	10/2020	Kang	D14/391
2007/0097087	A1 *	5/2007	Homer	G06F 1/1669 345/173
2013/0088826	A1 *	4/2013	Kim	G06F 1/1669 361/679.09
2014/0185215	A1 *	7/2014	Whitt, III	G06F 1/166 361/679.4
2015/0116224	A1 *	4/2015	Chen	G06F 1/1662 345/169
2015/0153771	A1 *	6/2015	Lin	G06F 1/1654 361/679.09
2016/0048173	A1 *	2/2016	Lyles	G06F 1/1656 361/679.17
2016/0062411	A1 *	3/2016	Morrison	G06F 1/1632 361/679.08

FOREIGN PATENT DOCUMENTS

JP	1469199	S	5/2013
JP	1492956	S	3/2014
JP	1569358	S	2/2017
JP	1572767	S	4/2017
KR	30-0608375		8/2011
KR	30-0689166		4/2013
KR	3008018220003	*	10/2015
KR	3008018220004	*	1/2016
KR	30-0838107		2/2019
WO	DM203816		5/2019
WO	WO-D207277-002	*	10/2020

OTHER PUBLICATIONS

U.S. Appl. No. 29/707,894, filed Oct. 1, 2019.
 “Office Action Issued in Japanese Patent Application No. 2020-006801”, dated Aug. 25, 2020, 7 Pages.
 “Office Action Issued in Japanese Patent Application No. 2020-006802”, dated Aug. 25, 2020, 7 Pages.
 “Office Action Issued in Japanese Patent Application No. 2020-006804”, dated Aug. 25, 2020, 7 Pages.
 “Office Action Issued in Japanese Patent Application No. 2020-006805”, dated Aug. 25, 2020, 7 Pages.
 “Office Action Issued in Japanese Patent Application No. 2020-006803”, dated Aug. 25, 2020, 7 Pages.
 “Office Action Issued in Japanese Patent application No. 2020-006806”, dated Aug. 25, 2020, 7 Pages.
 “Notice of Allowance Issued in Japanese Patent Application No. 2020-006801”, dated Dec. 22, 2020, 6 Pages.
 “Notice of Allowance Issued in Japanese Patent Application No. 2020-006802”, dated Dec. 22, 2020, 6 Pages.
 “Notice of Allowance Issued in Japanese Patent Application No. 2020-006803”, dated Dec. 22, 2020, 6 Pages.
 “Notice of Allowance Issued in Japanese Patent Application No. 2020-006804”, dated Dec. 22, 2020, 6 Pages.
 “Notice of Allowance Issued in Japanese Patent Application No. 2020-006805”, dated Dec. 22, 2020, 6 Pages.
 “Notice of Allowance Issued in Japanese Patent Application No. 2020-006806”, dated Dec. 22, 2020, 6 Pages.
 “Notice of Allowance Issued in Japanese Patent Application No. 2020-006807”, dated Dec. 8, 2020, 6 Pages.
 “Non Final Office Action Issued in U.S. Appl. No. 29/707,897”, dated Dec. 31, 2020, 11 Pages.
 “Notice of Allowance Issued in Japanese Patent Application No. 2020-006797”, dated Feb. 16, 2021, 5 Pages.

* cited by examiner

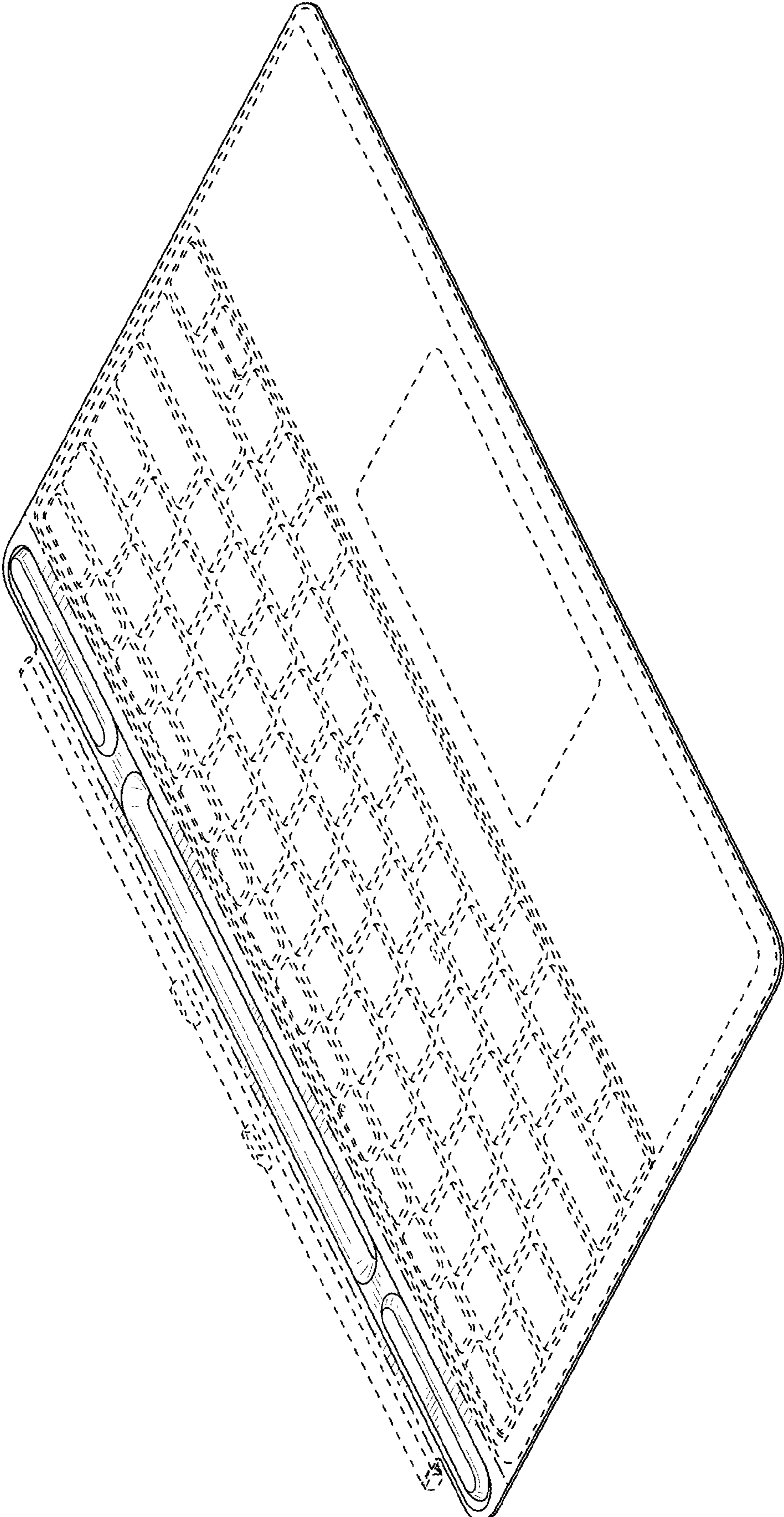


FIG. 1

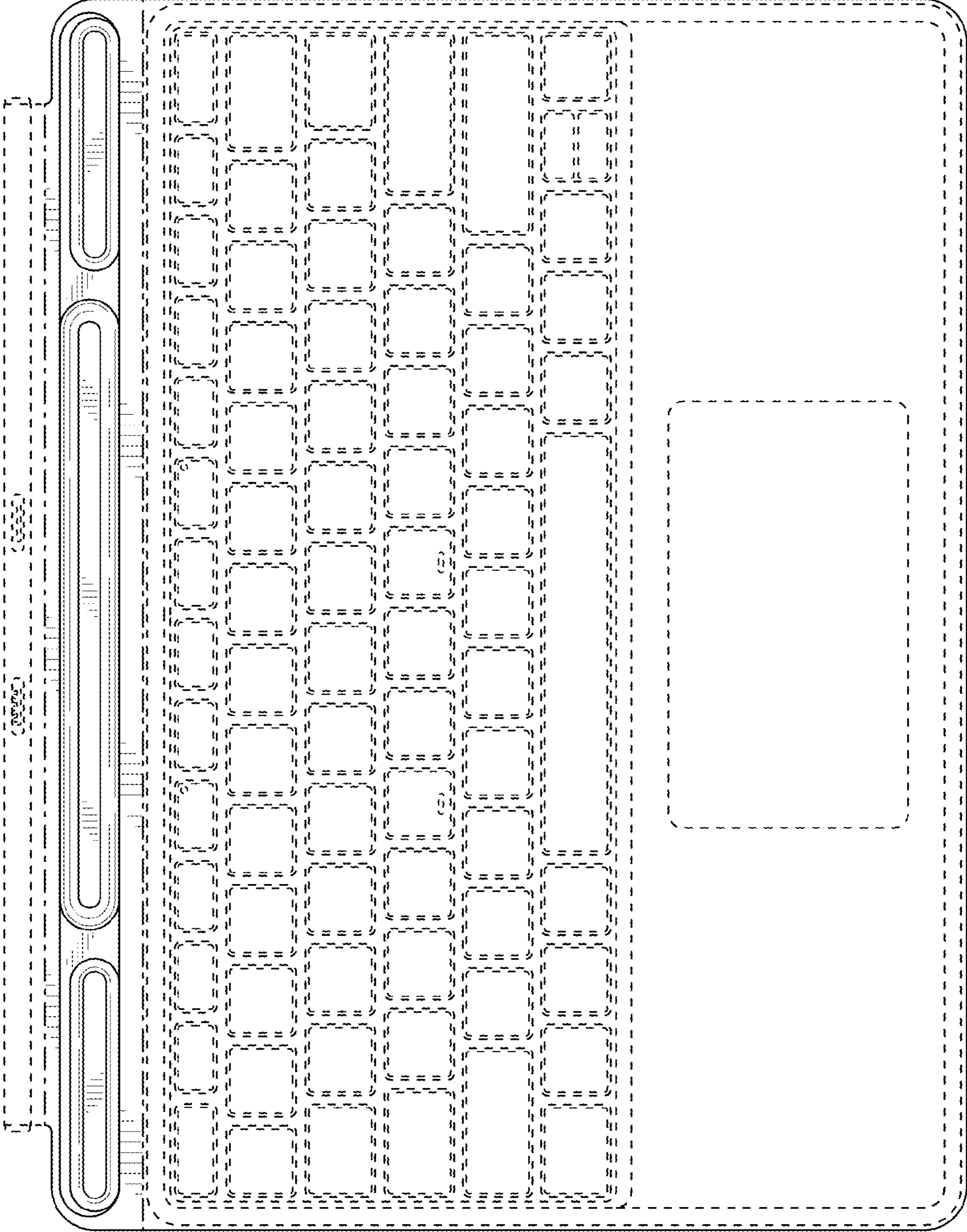


FIG. 2

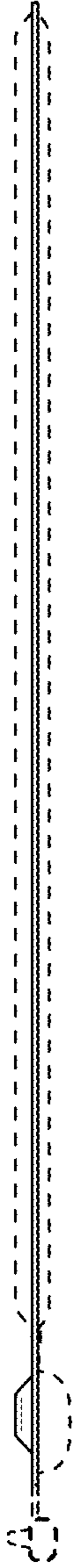


FIG. 3



FIG. 4



FIG. 5



FIG. 6

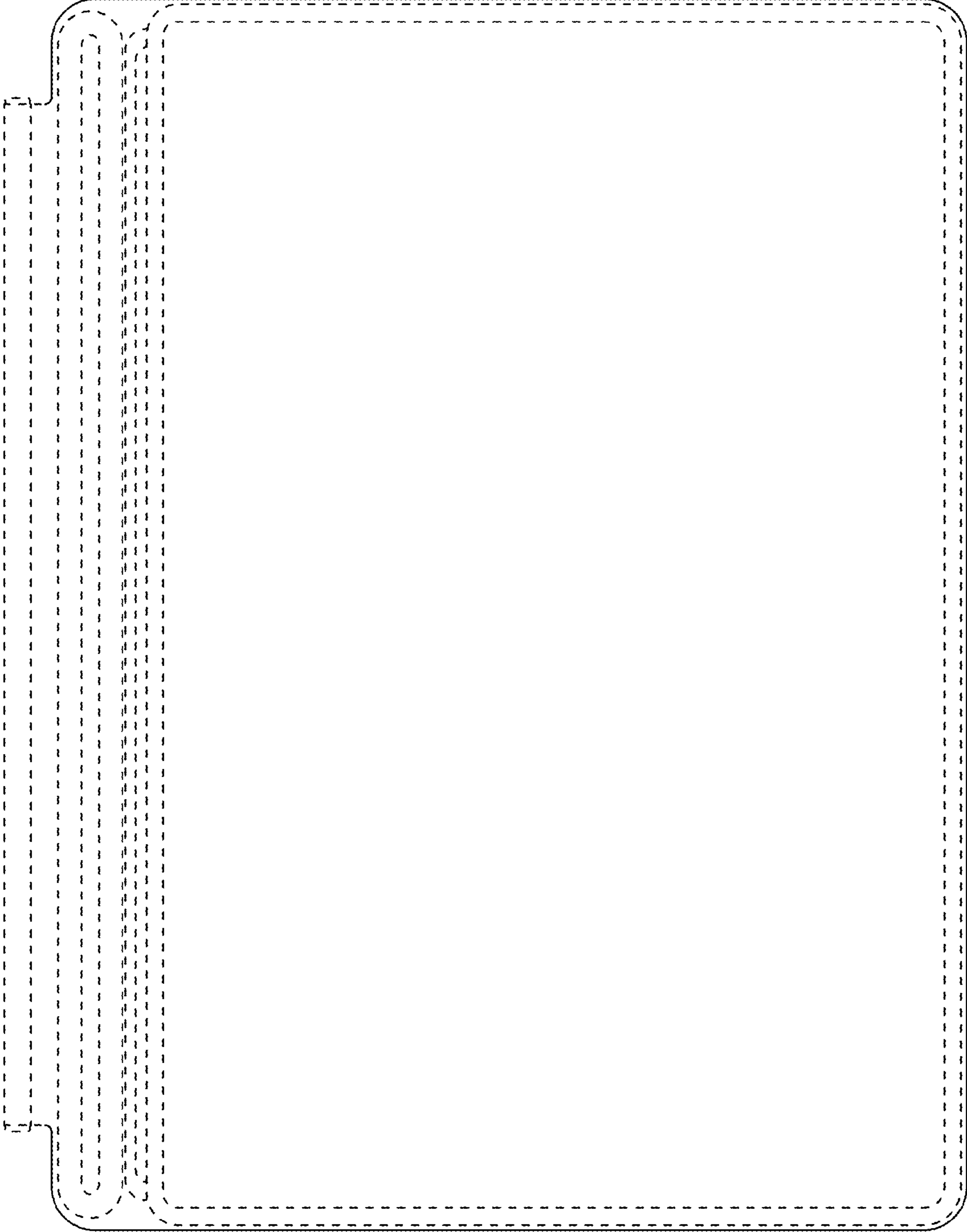


FIG. 7