



US00D933065S

(12) **United States Design Patent**
Hong et al.

(10) **Patent No.:** **US D933,065 S**
(45) **Date of Patent:** **** Oct. 12, 2021**

(54) **SMART WATCH**

H04B 1/385; H04B 1/3888; H04M 1/02;
H04M 1/03; H04M 1/04; H04M 1/05;
H04M 1/667; H04M

(71) Applicant: **Samsung Electronics Co., Ltd.**,
Suwon-si (KR)

(Continued)

(72) Inventors: **Jaehyung Hong**, Suwon-si (KR); **Insik Chung**, Suwon-si (KR); **Kwangha Choi**, Suwon-si (KR); **Sanhui Oh**, Suwon-si (KR); **Yongseok Bang**, Suwon-si (KR)

(56)

References Cited

U.S. PATENT DOCUMENTS

9,544,003 B1 * 1/2017 Wang H04B 1/385
D786,705 S * 5/2017 Babcock D10/38

(Continued)

(73) Assignee: **Samsung Electronics Co., Ltd.**,
Suwon-si (KR)

Primary Examiner — Samantha Q Lawrence

Assistant Examiner — Holly M Rodriguez

(**) Term: **15 Years**

(74) *Attorney, Agent, or Firm* — NSIP Law

(21) Appl. No.: **29/704,907**

(57)

CLAIM

We claim the ornamental design for a smart watch, as shown and described.

(22) Filed: **Sep. 9, 2019**

(30) **Foreign Application Priority Data**

DESCRIPTION

Jul. 12, 2019 (KR) 30-2019-0033468

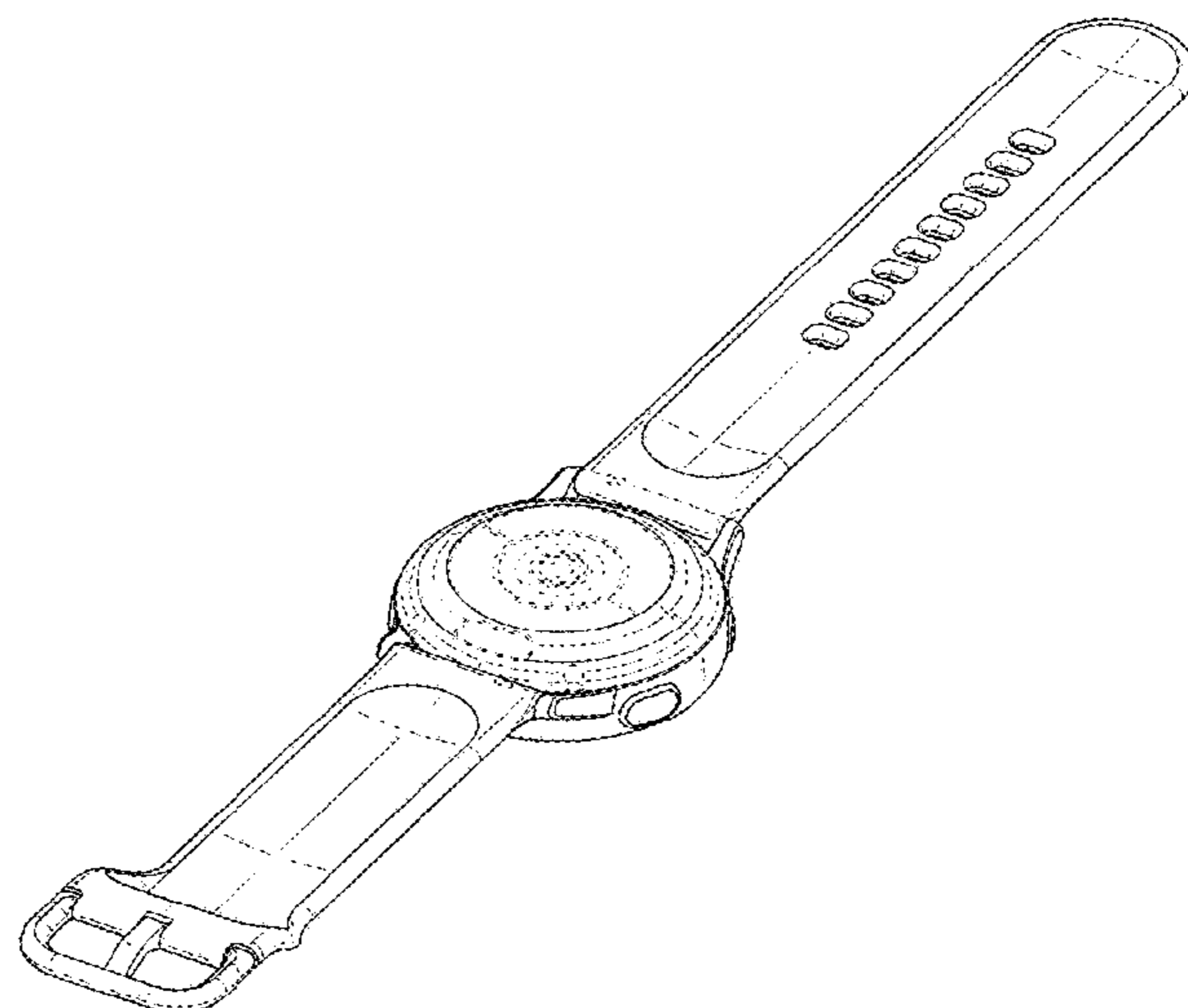
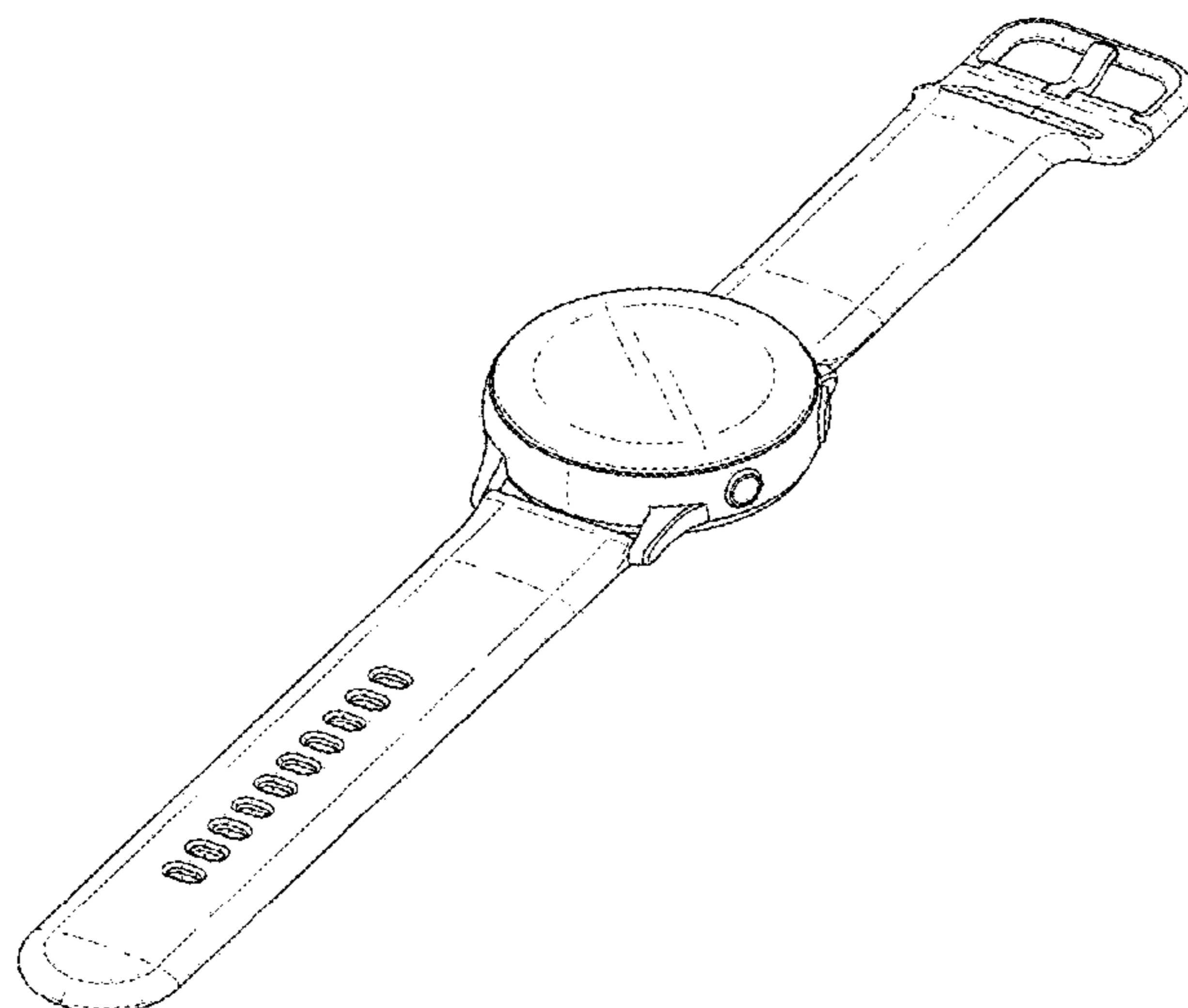
(51) **LOC (13) Cl.** **14-02**

(52) **U.S. Cl.**
USPC **D14/344**

(58) **Field of Classification Search**
USPC ... D14/126–130, 138, 138 R, 144, 300, 341,
D14/344, 358, 388, 485–495, 218;
D10/30–39, 40, 41, 46, 70, 79, 98, 106.5,
D10/106.6, 106.92, 106.94, 114.6, 123,
D10/125–128, 131; D11/1–4, 26, 40–41,
D11/93, 94, 78.1, 79, 86; D24/167–169,
D24/186–187, 164; D21/324–329
CPC A41D 1/002; A41D 19/0034; G06F 1/08;
G06F 1/10; G06F 1/14; G06F 1/1626;
G06F 1/1628; G06F 1/163; G06F 1/1635;
G06F 1/3203; G06F 1/1613; G06F
2200/1633; G06F 3/0488; G06F 3/04886;
G06F 3/044; G06F 3/0412; G06F 3/0416;
G06F 1/3215; G06F 2203/04102; G06F
1/04; G06Q 20/10; G06Q 20/12; G06Q
20/108; G06Q 20/145; H04B 1/3833;

FIG. 1 is a front perspective view of a first embodiment of a smart watch showing our new design;
FIG. 2 is a front view thereof;
FIG. 3 is a rear view thereof;
FIG. 4 is a left-side view thereof;
FIG. 5 is a right-side view thereof;
FIG. 6 is a top view thereof;
FIG. 7 is a bottom view thereof;
FIG. 8 is a rear perspective view thereof;
FIG. 9 is a front perspective view of a second embodiment of a smart watch showing our new design;
FIG. 10 is a front view thereof;
FIG. 11 is a rear view thereof;
FIG. 12 is a left-side view thereof;
FIG. 13 is a right-side view thereof;
FIG. 14 is a top view thereof;
FIG. 15 is a bottom view thereof; and,
FIG. 16 is a rear perspective view thereof.
The broken lines in the figures depict portions of the smart watch which form no part of the claimed design.

1 Claim, 10 Drawing Sheets



(58) **Field of Classification Search**

CPC . 1/6058; Y02B 60/1217; A44C 5/0007; A44C
5/0015; A44C 5/0023; A44C 5/0084

See application file for complete search history.

(56) **References Cited**

U.S. PATENT DOCUMENTS

D803,072 S * 11/2017 Fujimoto D10/39
D809,938 S * 2/2018 Hou D10/30
D815,090 S * 4/2018 Chan D14/344
D823,137 S * 7/2018 Monachon D10/38
D823,853 S * 7/2018 Yoshimoto D14/344
D835,621 S * 12/2018 Bang D14/344
D836,466 S * 12/2018 Shi D10/32
D848,864 S * 5/2019 Mockler D10/30
D858,311 S * 9/2019 Zhang D10/30
D858,312 S * 9/2019 Liu D10/30
10,474,194 B1 * 11/2019 Ell G06F 1/1656
D876,966 S * 3/2020 Shi D10/30
D889,458 S * 7/2020 Zheng D14/344
D893,474 S * 8/2020 Chung D14/344
D894,179 S * 8/2020 Chung D14/344
D900,645 S * 11/2020 Henne D10/38
D912,542 S * 3/2021 Moilanen D10/38
10,944,158 B2 * 3/2021 Sayem H01Q 7/00
D915,399 S * 4/2021 Chao D14/344
D919,468 S * 5/2021 Chao D11/3
2016/0254587 A1 * 9/2016 Jung H02J 50/12
343/702

* cited by examiner

FIG.1

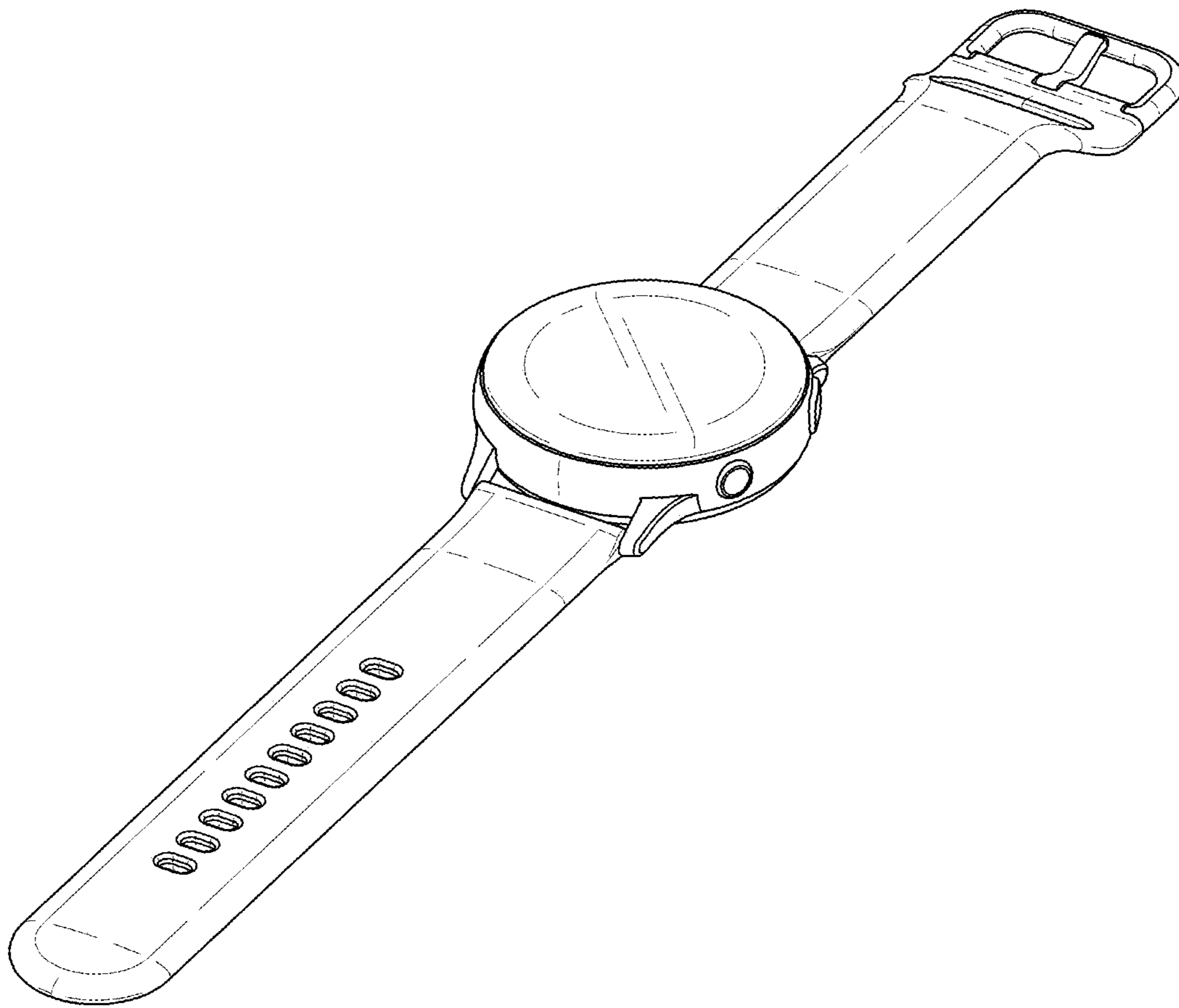


FIG.2

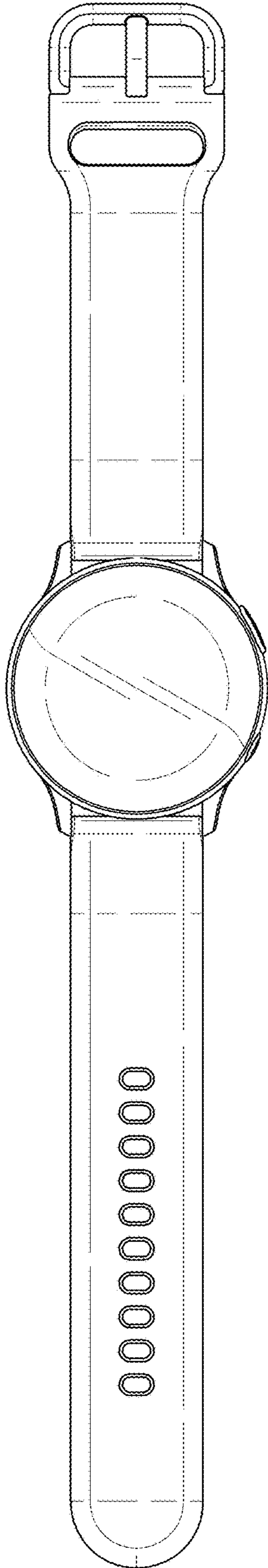


FIG.3

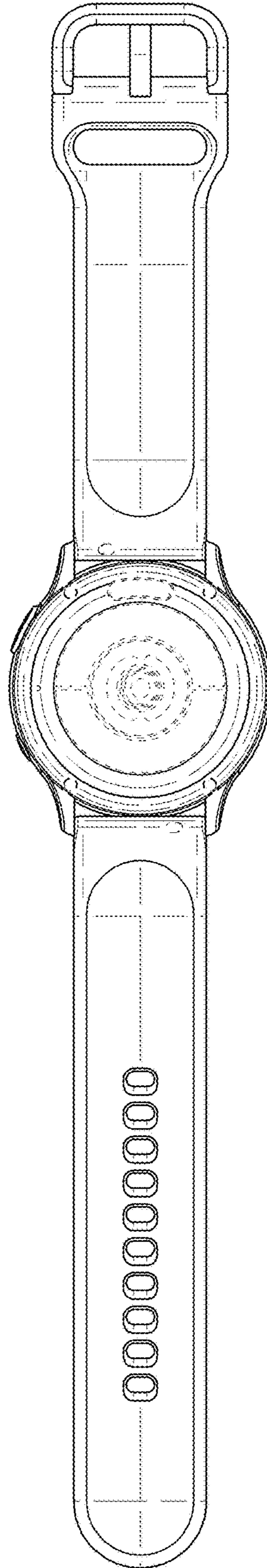


FIG.4

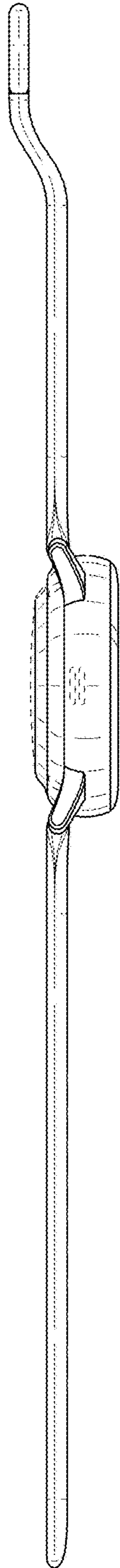


FIG.5

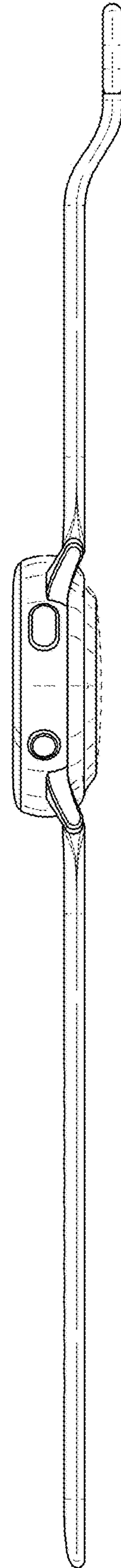


FIG.6

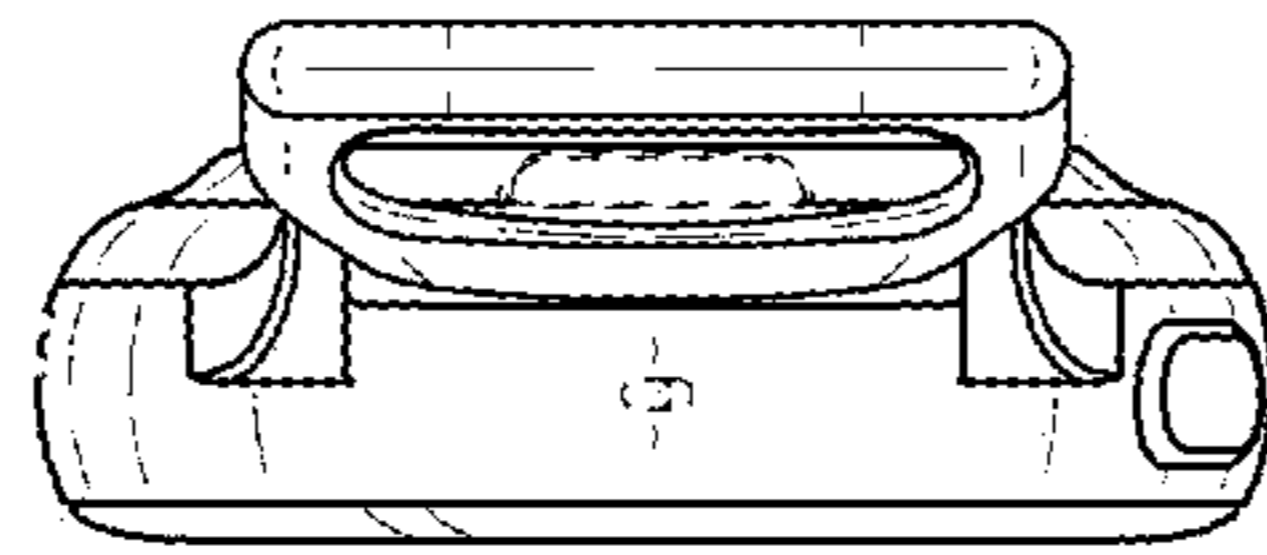


FIG.7

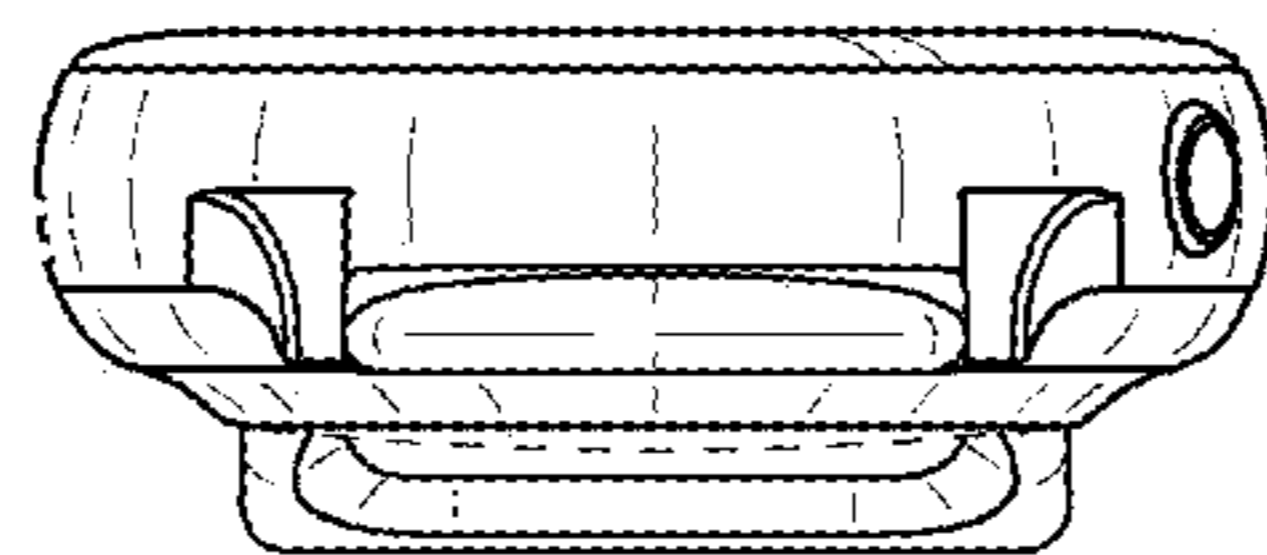


FIG.8

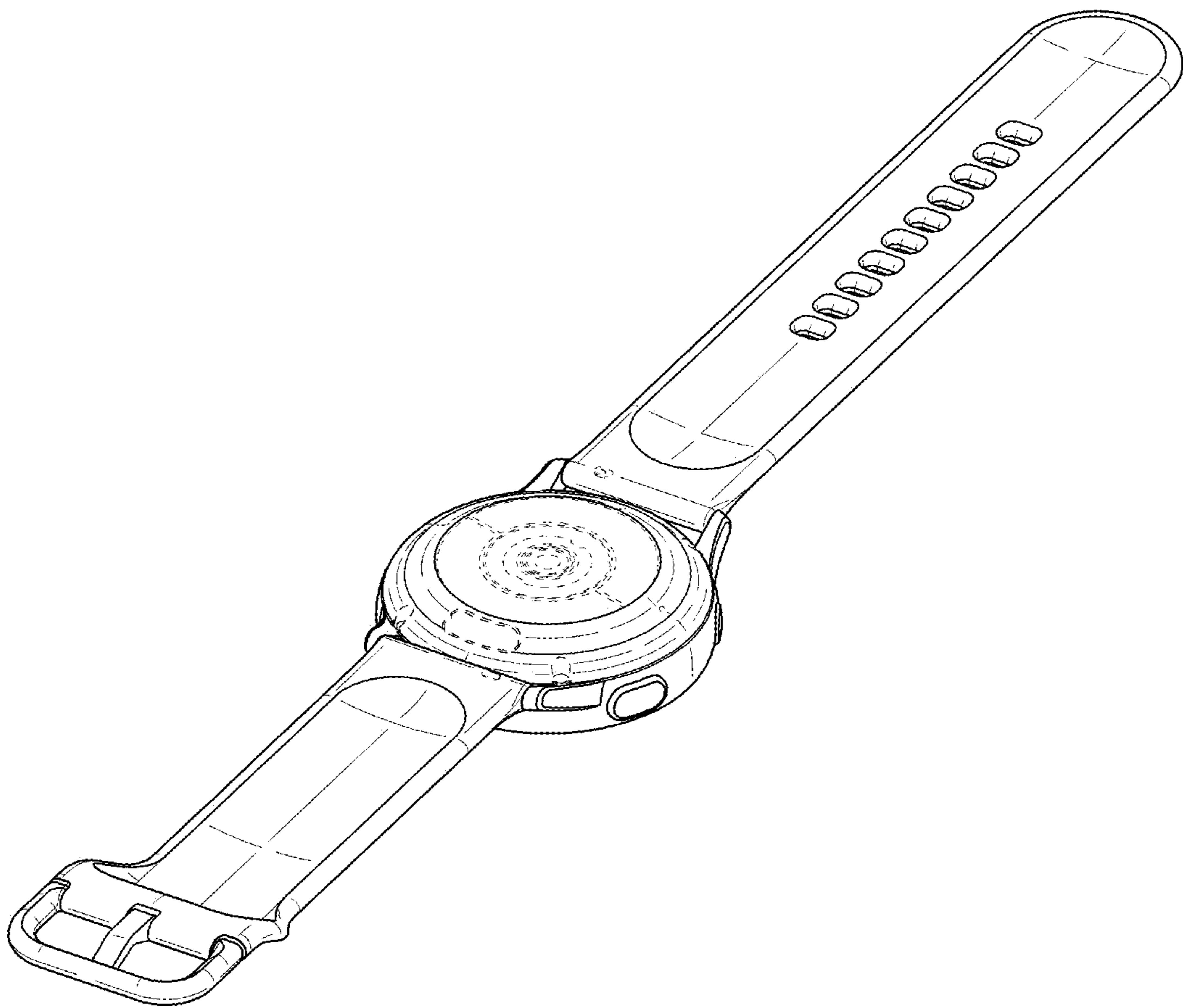


FIG.9

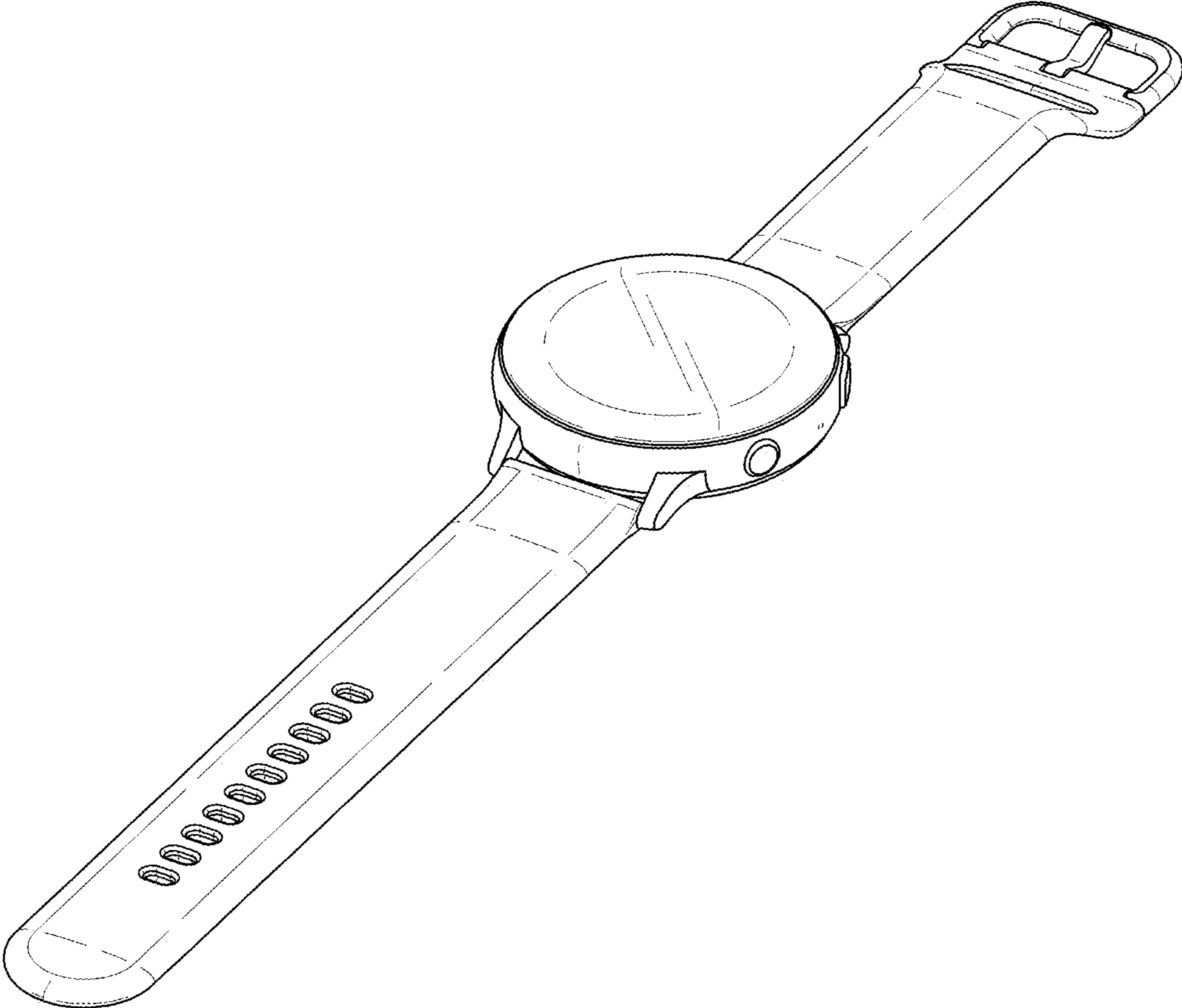


FIG.10

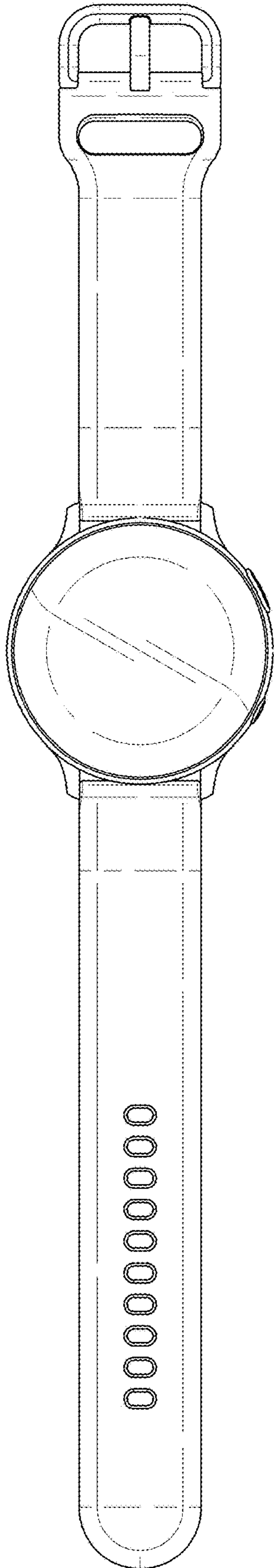


FIG.11

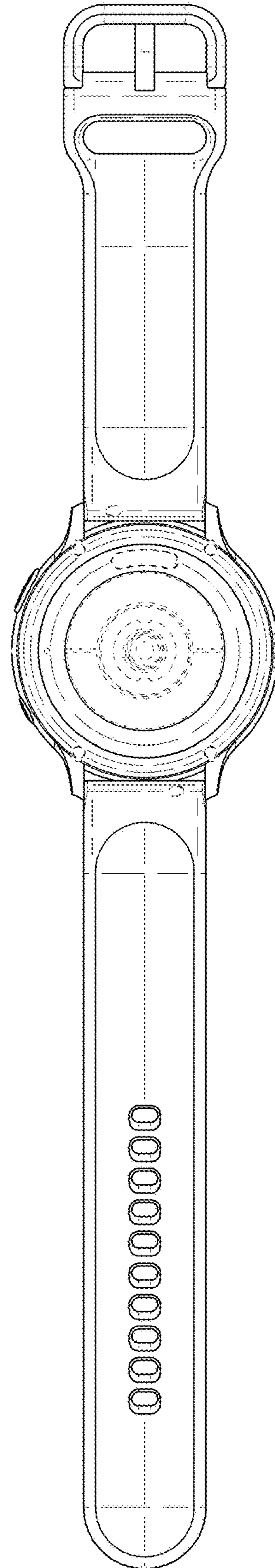


FIG.12

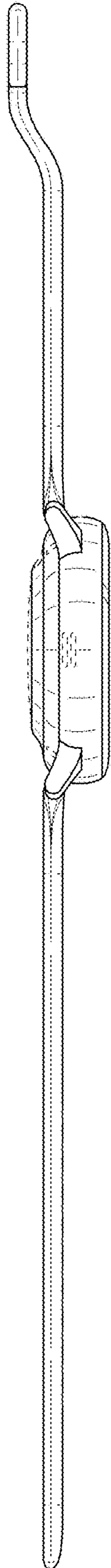


FIG.13

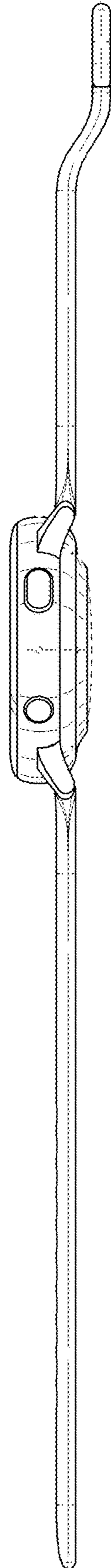


FIG.14

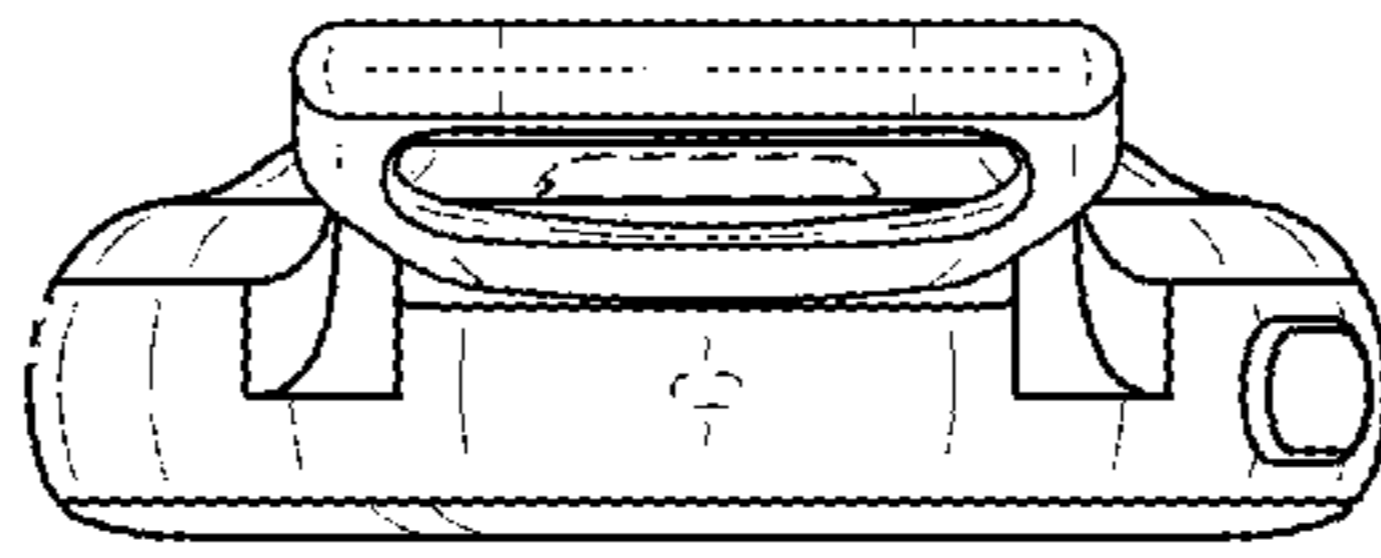


FIG.15

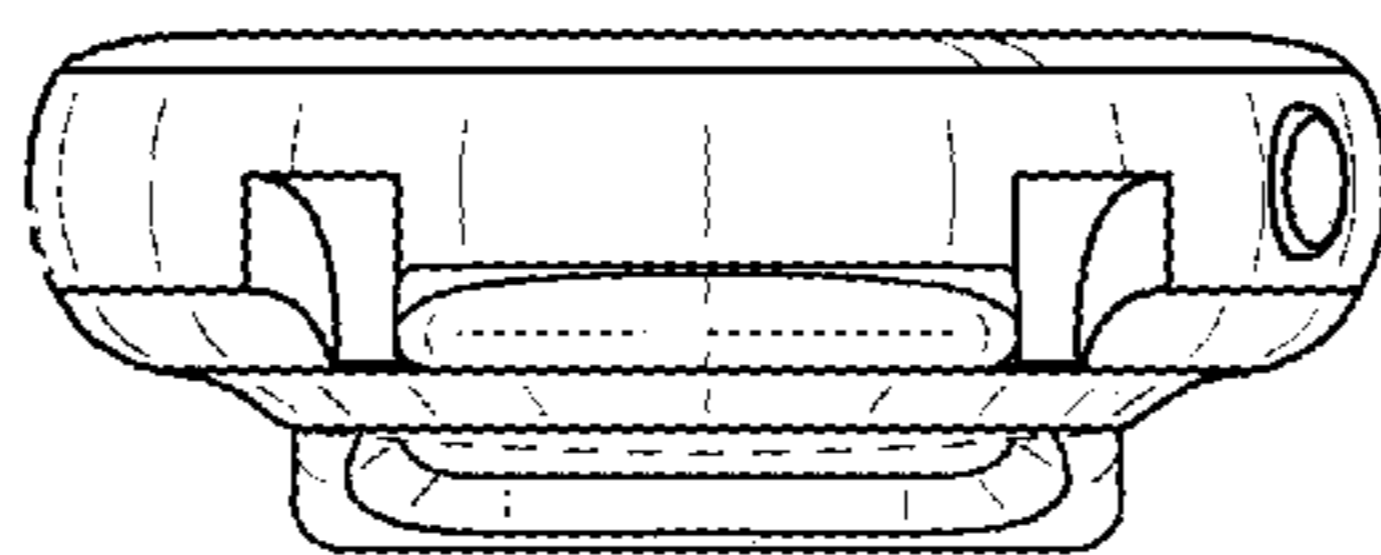


FIG.16

