



US00D933061S

(12) **United States Design Patent** (10) **Patent No.:** **US D933,061 S**
Kao (45) **Date of Patent:** **** Oct. 12, 2021**

(54) **COMPUTER DEVICE**

D745,420 S * 12/2015 Li D10/50
D761,741 S * 7/2016 Santiago D13/162
D889,456 S * 7/2020 Yao D14/336

(71) Applicant: **GIGA-BYTE TECHNOLOGY CO., LTD.**, New Taipei (TW)

FOREIGN PATENT DOCUMENTS

(72) Inventor: **Hsin-Chun Kao**, New Taipei (TW)

CN 304393625 * 12/2017
CN 304544215 * 3/2018
CN 304742403 * 7/2018
EM 004116796-0001 * 8/2017
JP D1679193 * 2/2021

(73) Assignee: **GIGA-BYTE TECHNOLOGY CO., LTD.**, New Taipei (TW)

(**) Term: **15 Years**

OTHER PUBLICATIONS

(21) Appl. No.: **29/730,839**

Industrial Panels. Link: <https://www.industrial-panels.com/cots-military-display/17-cots-wall-mount-or-tabletop-rugged-lcd-display>. Visited Jul. 27, 2021. 17" Cots Wall Mount Rugged LCD Display. (Year: 2021).*

(22) Filed: **Apr. 8, 2020**

(30) **Foreign Application Priority Data**

(Continued)

Dec. 31, 2019 (TW) 108308136

(51) **LOC (13) Cl.** **14-02**

Primary Examiner — Lauren D McVey

(52) **U.S. Cl.**
USPC **D14/336**

(74) *Attorney, Agent, or Firm* — Idea Intellectual Limited; Margaret A. Burke; Sam T. Yip

(58) **Field of Classification Search**
USPC D14/336, 337, 373, 374, 375, 376, 377,
D14/125, 128, 129, 126, 127, 371, 372,
D14/341

(57) **CLAIM**

CPC G06F 1/1601; G06F 1/1605; G06F 1/162
See application file for complete search history.

The ornamental design for a computer device, as shown and described.

DESCRIPTION

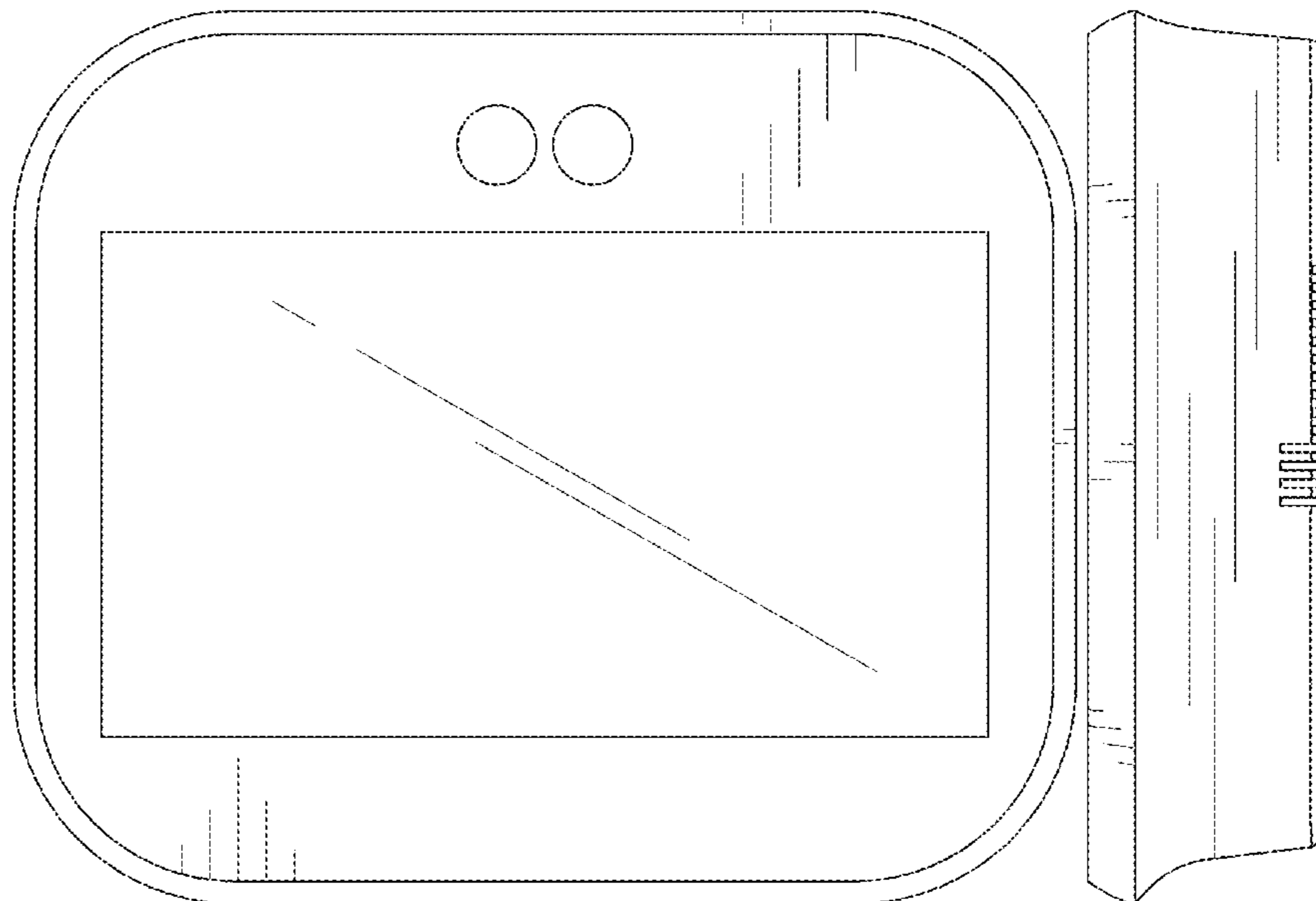
(56) **References Cited**

U.S. PATENT DOCUMENTS

D414,473 S * 9/1999 Kummel D14/374
D562,789 S * 2/2008 Huang D14/126
D582,916 S * 12/2008 Wada D14/371
D582,917 S * 12/2008 Wada D14/371
D596,173 S * 7/2009 Arfin D14/307
D616,840 S * 6/2010 Perrier D14/126
D626,956 S * 11/2010 Hsu D14/337
D645,861 S * 9/2011 Chen D14/337
D695,234 S * 12/2013 Santiago D13/162
D697,910 S * 1/2014 Bianco D14/336

FIG. 1 is a top perspective view of a computer device showing my new design;
FIG. 2 is a front elevation view thereof;
FIG. 3 is a rear elevation view thereof;
FIG. 4 is a left side elevation view thereof;
FIG. 5 is a right side elevation view thereof;
FIG. 6 is a top plan view thereof;
FIG. 7 is a bottom plan view thereof; and,
FIG. 8 is a bottom perspective view thereof.

1 Claim, 6 Drawing Sheets



(56)

References Cited

OTHER PUBLICATIONS

Vidabox. Link: https://www.vidabox.com/kiosks/vidamount-secure-fixed-wall-microsoft-windows-surface-pro-4-tablet-enclosure-mount-white.html?gclid=EAIaIQobChM1k_HI2-yD8glVygutBh087w9pEAQYBCABEglpbfD_BwE. Visited Jul. 27, 2021. VidaMount Microsoft Surface Pro 7+. (Year: 2021).*

CDW. Link: <https://www.cdw.com/product/joan-6-room-manager/5719285?enkwr=5719285>. Visited Jul. 27, 2021. JOAN 6—room manager. (Year: 2021).*

* cited by examiner

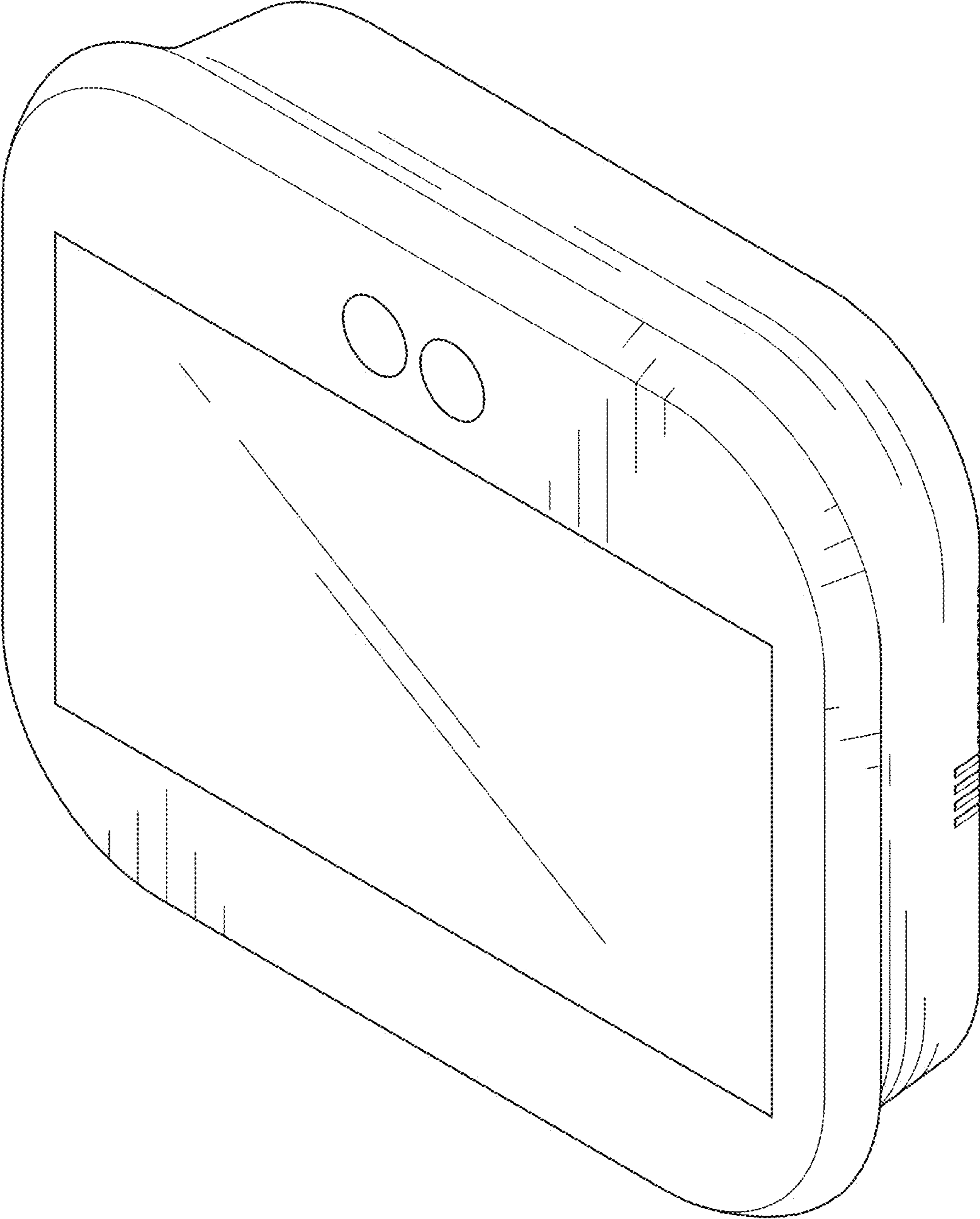


FIG. 1

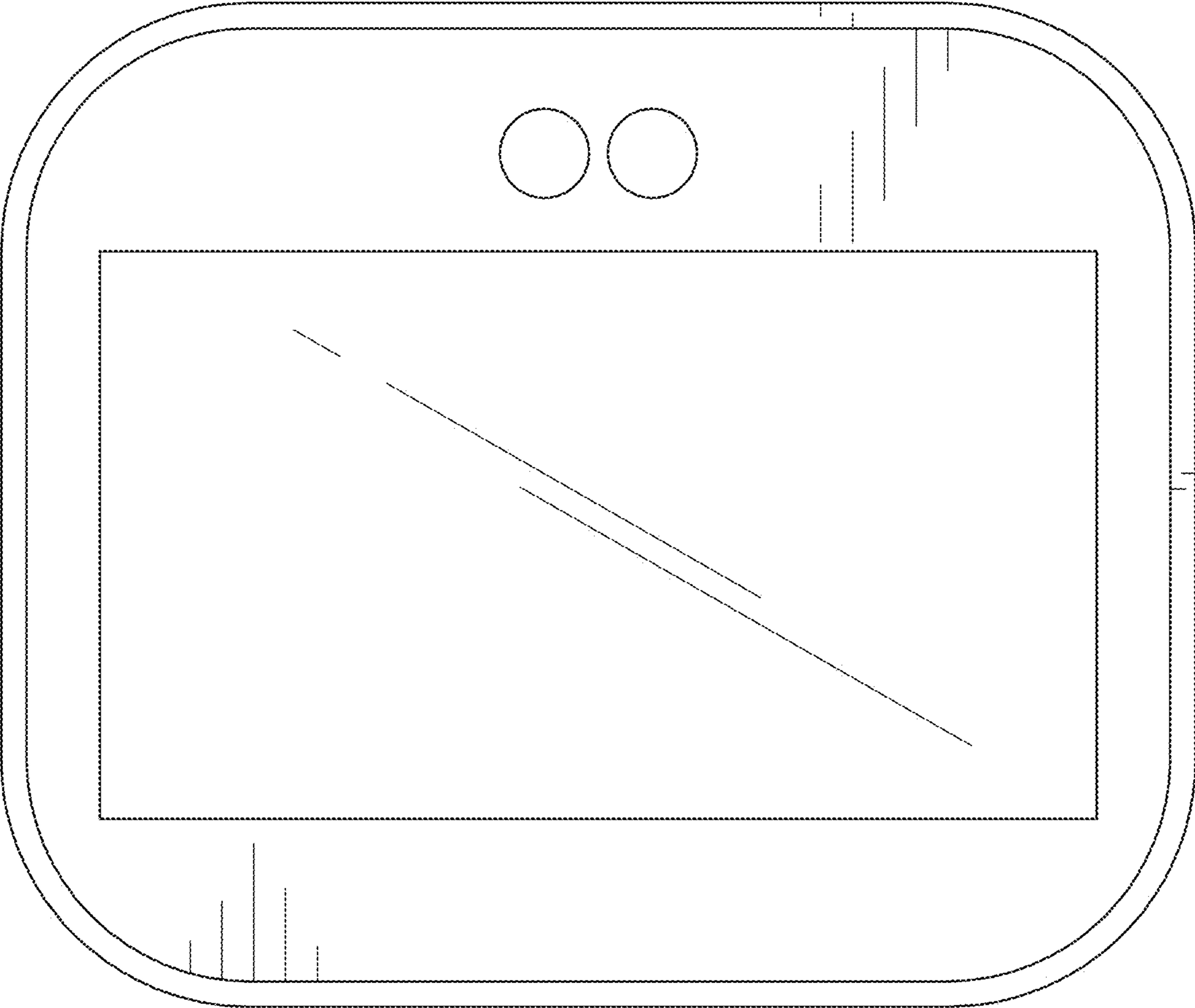


FIG. 2

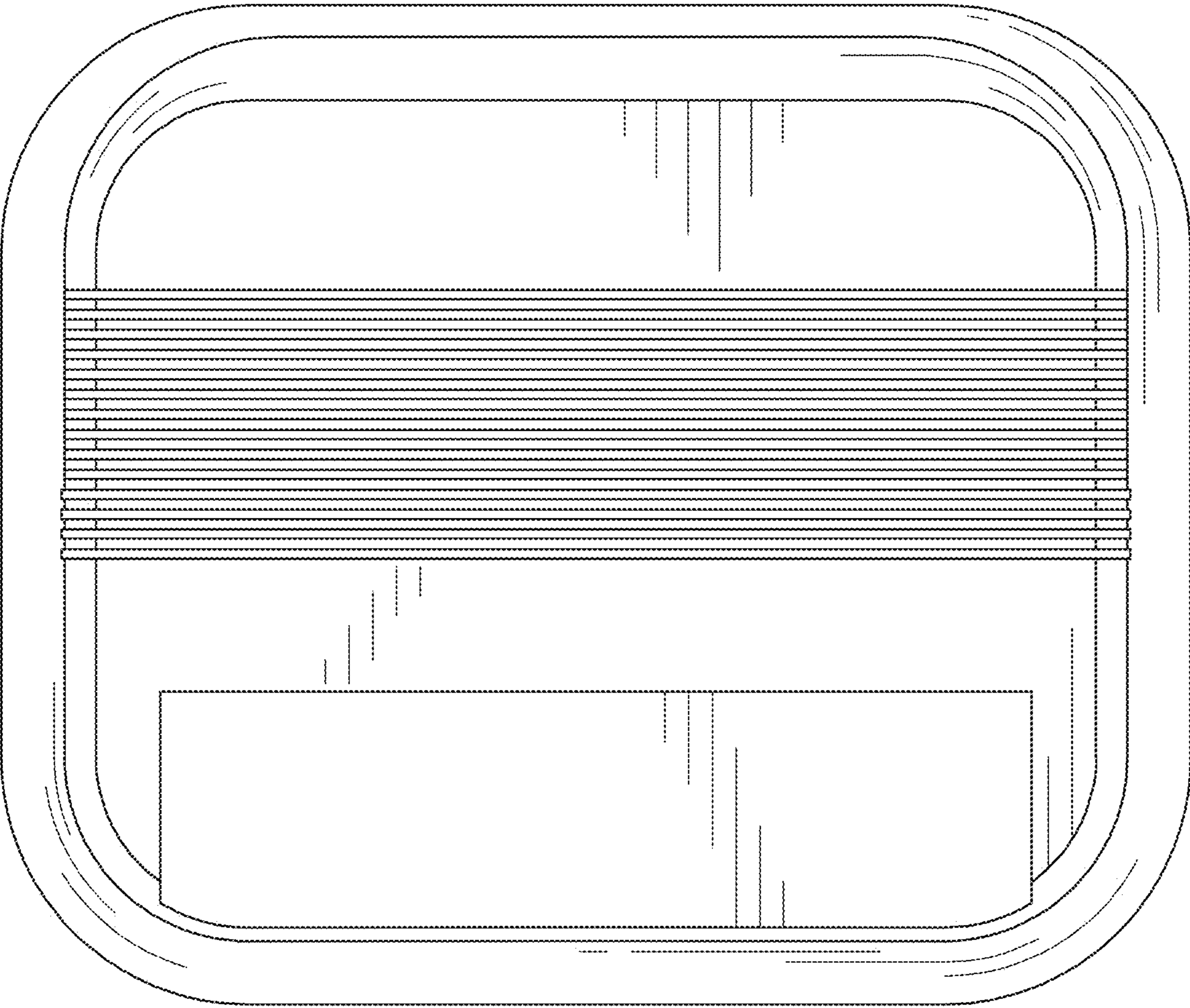


FIG. 3

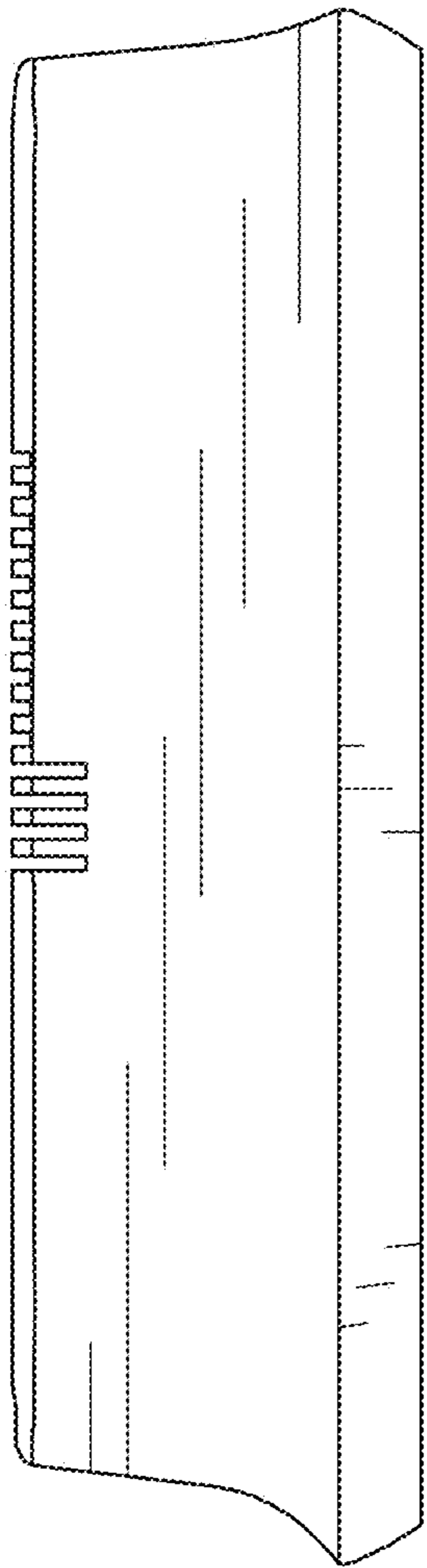


FIG. 4

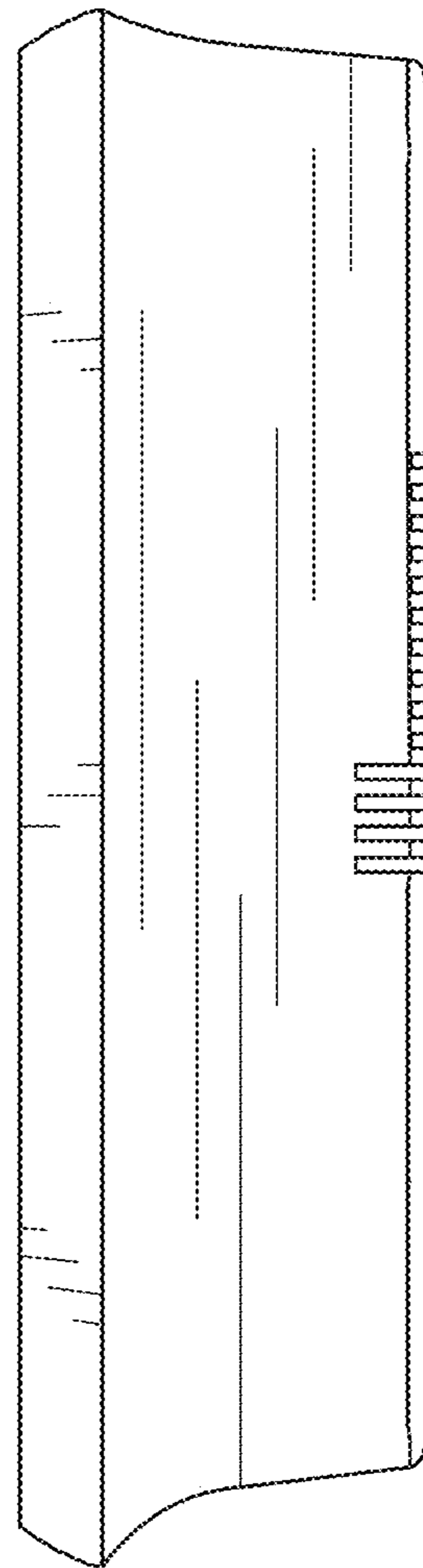


FIG. 5

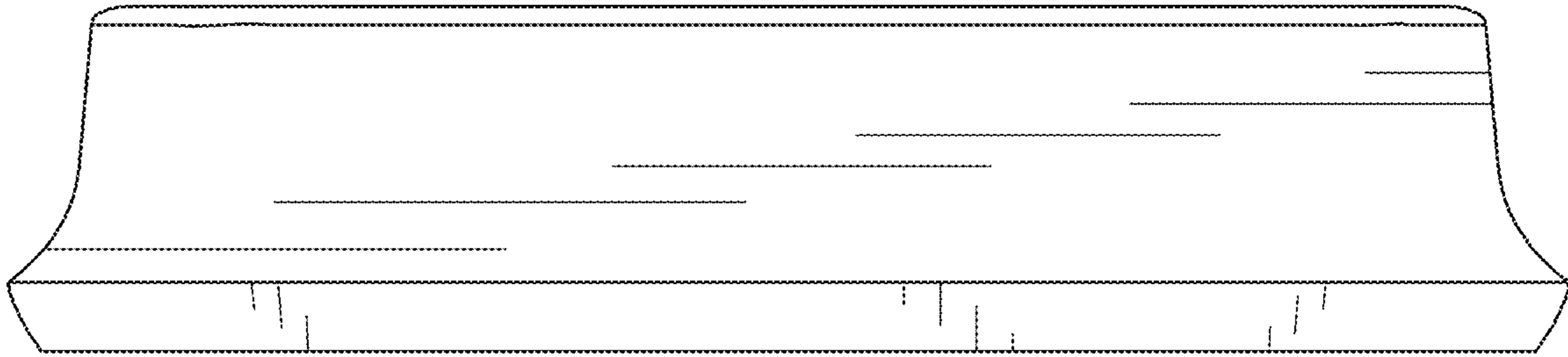


FIG. 6

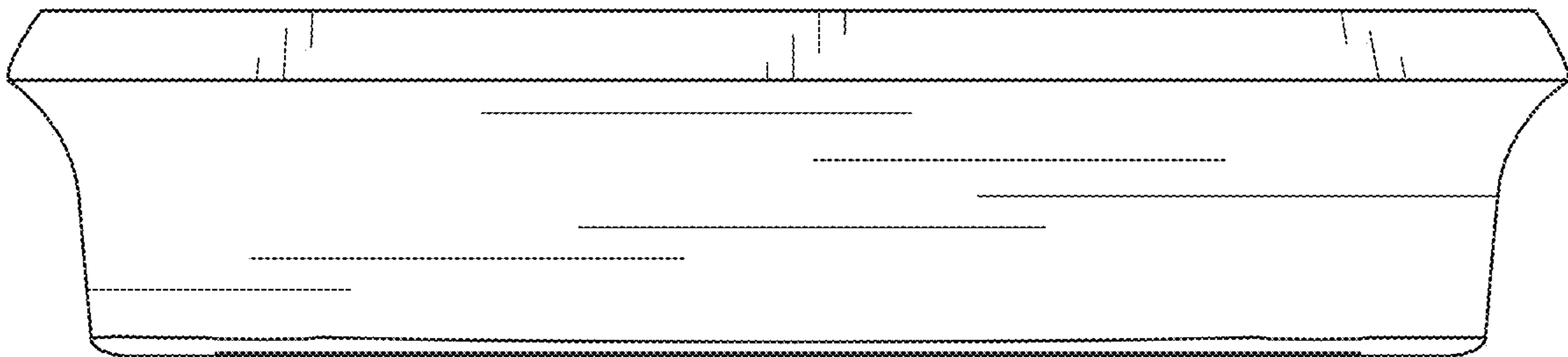


FIG. 7

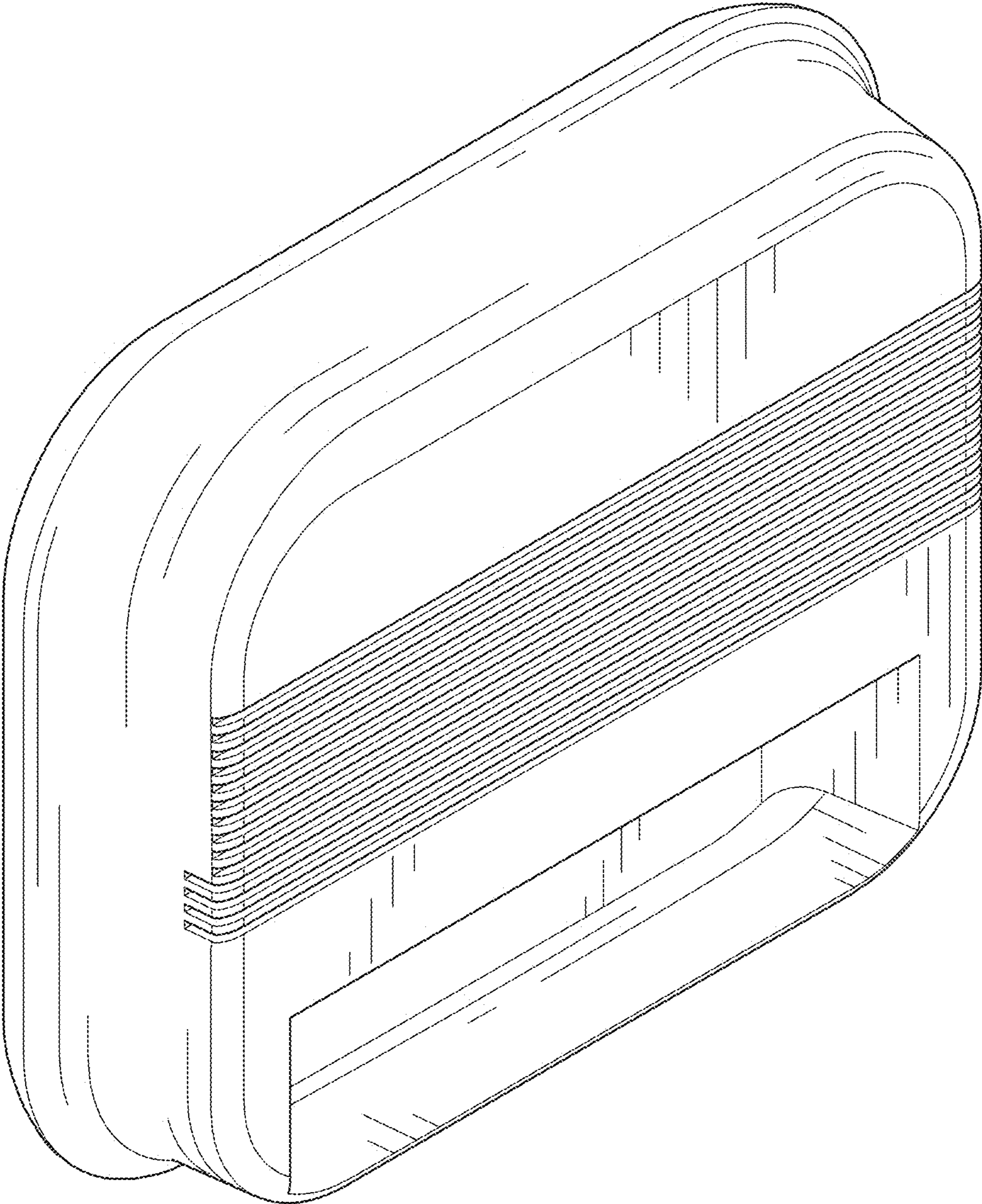


FIG. 8