



US00D933060S

(12) **United States Design Patent**
Kulkarni et al.

(10) **Patent No.:** **US D933,060 S**
(45) **Date of Patent:** **** Oct. 12, 2021**

(54) **CONVERTIBLE ELECTRONIC DEVICE**

(71) Applicant: **Intel Corporation**, Santa Clara, CA
(US)

(72) Inventors: **Shantanu Kulkarni**, Hillsboro, OR
(US); **Jeff Ku**, Taipei (TW)

(73) Assignee: **Intel Corporation**, Santa Clara, CA
(US)

(**) Term: **15 Years**

(21) Appl. No.: **29/664,571**

(22) Filed: **Sep. 26, 2018**

(51) **LOC (13) Cl.** **14-02**

(52) **U.S. Cl.**
USPC **D14/327**; D14/316

(58) **Field of Classification Search**
USPC D14/315–327, 331, 334–336, 339–340,
D14/371, 373–374; D18/1–2, 7, 11,
D18/12.2–12.3

CPC G06F 1/1618; G06F 1/166; G06F 1/1613;
G06F 1/1616; G06F 1/162; G06F 1/1622;
G06F 1/1624; G06F 1/1633; G06F
1/1615; G06F 1/1643; G06F 1/1654;
G06F 1/1656; G06F 1/1669; G06F 1/203;
G06F 1/1688; G06F 1/1601; G06F
1/1637; G06F 1/181; G06F 1/1662; G06F
1/1666; G06F 1/1671; H05K 5/0047;
H05K 5/0052

See application file for complete search history.

(56) **References Cited**

U.S. PATENT DOCUMENTS

- 5,260,885 A * 11/1993 Ma G06F 1/1626
136/245
- 5,596,481 A * 1/1997 Liu G06F 1/1616
248/118.1
- D413,583 S * 9/1999 Lin D14/321
- 6,865,075 B2 * 3/2005 Oakley G06F 1/1618
345/173
- D565,047 S * 3/2008 Jawerth D14/316

(Continued)

FOREIGN PATENT DOCUMENTS

- WO WO-0195076 A1 * 12/2001 G06F 1/1616
- WO WO-2014183565 A1 * 11/2014 G06F 1/1624
- WO WO-2016049942 A1 * 4/2016 H04M 1/0247

OTHER PUBLICATIONS

Shilov, Anton, Asus Rog ‘Mothership’ GZ7000GX 17.3-inch G-Sync Gaming Laptop with Detachable Keyboard, posted at AnandTech, posting date Jan. 24, 2019. Site visited Aug. 16, 2020. URL: <<https://www.anandtech.com/show/13893/asus-rog-mothership-gz700gx-144hz-17-inch-convertible-core-i9-geforce-rtx>> (Year: 2019).*

(Continued)

Primary Examiner — Kathleen L Jones

(74) *Attorney, Agent, or Firm* — Hanley, Flight & Zimmerman, LLC

(57) **CLAIM**

The ornamental design for “convertible electronic device”, as shown and described.

DESCRIPTION

FIG. 1 is a right, front perspective view of a convertible electronic device.

FIG. 2 is a front view of the convertible electronic device of FIG. 1.

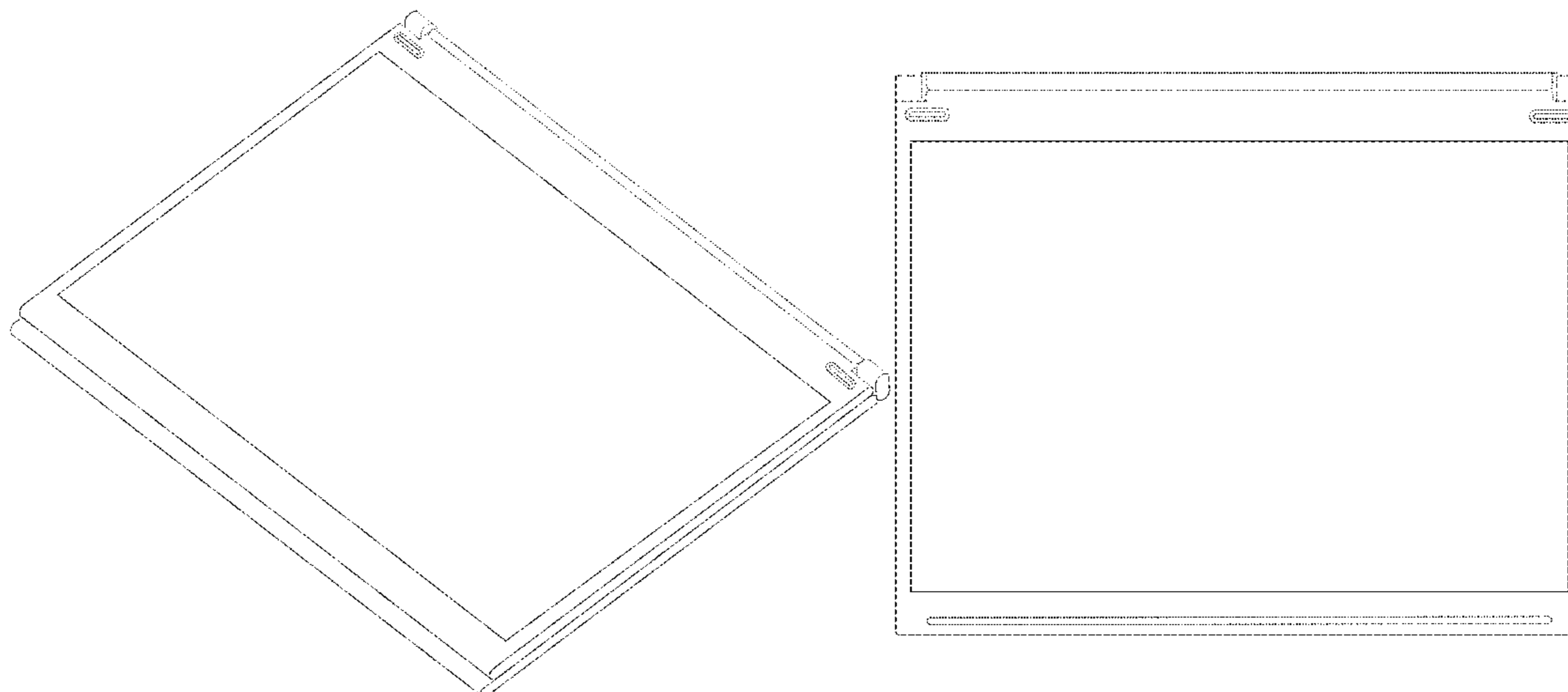
FIG. 3 is a rear view of the convertible electronic device of FIG. 1.

FIG. 4 is a top view of the convertible electronic device of FIG. 1; and,

FIG. 5 is a bottom view of the convertible electronic device of FIG. 1.

The broken lines show portions of the convertible electronic device that form no part of the claimed design. The surfaces adjacent one or more broken lines form no part of the claimed design.

1 Claim, 5 Drawing Sheets



(56)

References Cited

U.S. PATENT DOCUMENTS

D639,802 S * 6/2011 Brooks D14/315
 D640,686 S * 6/2011 Daniel D14/327
 D669,467 S * 10/2012 Bailout D14/336
 D696,245 S * 12/2013 Lee D14/315
 D700,600 S * 3/2014 Matsuoka D14/315
 D709,491 S * 7/2014 Kurimoto D14/320
 D719,564 S * 12/2014 Ji D14/315
 D726,715 S * 4/2015 Sung D14/331
 D756,349 S * 5/2016 Lim D14/315
 D762,639 S * 8/2016 Montoya D14/316
 D768,624 S * 10/2016 Bae D14/345
 D873,816 S * 1/2020 Wu D14/315
 10,747,264 B1 * 8/2020 Knoppert G06F 1/1616
 10,754,390 B2 * 8/2020 Quinn G06F 1/1618
 10,802,548 B2 * 10/2020 Wu G06F 1/1607
 10,852,769 B2 * 12/2020 Yildiz G06F 1/1677
 10,915,163 B2 * 2/2021 Tzou G06F 1/1618
 10,928,855 B2 * 2/2021 Knoppert H05K 7/20336
 D912,662 S * 3/2021 Kurma Raju D14/331
 D915,394 S * 4/2021 Lin D14/327
 D915,395 S * 4/2021 Wang D14/327
 D916,696 S * 4/2021 Yang D14/318
 D917,460 S * 4/2021 Wang D14/327
 2003/0213101 A1 * 11/2003 Lin G06F 1/1683
 16/368
 2010/0142139 A1 * 6/2010 Szabolcsi G06F 1/1616
 361/679.27
 2011/0002096 A1 * 1/2011 Thorson G06F 1/1618
 361/679.04
 2013/0069878 A1 * 3/2013 Li G06F 1/1616
 345/168

2015/0227174 A1 * 8/2015 Byquist G06F 1/1679
 361/679.55
 2017/0102740 A1 * 4/2017 Kuscher G06F 1/1618
 2017/0329370 A1 * 11/2017 Han G06F 1/1656
 2018/0188774 A1 * 7/2018 Ent G06F 1/1618
 2019/0121399 A1 * 4/2019 Ku G06F 1/169
 2019/0220061 A1 * 7/2019 Fujimoto G06F 1/1618
 2019/0317557 A1 * 10/2019 Lai G06F 1/1616
 2020/0117244 A1 * 4/2020 Chu G06F 1/162
 2020/0127384 A1 * 4/2020 Thakur H01Q 5/00
 2020/0159289 A1 * 5/2020 Seibert G06F 1/1669
 2020/0159293 A1 * 5/2020 Seibert G06F 1/1681
 2020/0159336 A1 * 5/2020 Torres G06F 3/1423
 2021/0064084 A1 * 3/2021 Lin G06F 1/1618
 2021/0103317 A1 * 4/2021 Raju G06F 1/203
 2021/0149443 A1 * 5/2021 Okuley G06F 1/1662

OTHER PUBLICATIONS

Top 10 Best HP Laptop releases of 2017, posted at Reinis Fischer, posting date Apr. 4, 2017. Site visited Aug. 16, 2020. URL: <<https://www.reinifischer.com/top-10-best-hp-laptop-releases-2017-new-refurbished>> (Year: 2017).*

Hollister, Sean, An exclusive look at Intel's wild gaming laptop prototype, posting at The Verge, posting date May 28, 2019. Site visited Aug. 16, 2020. URL: <<https://www.theverge.com/2019/5/28/18637761/intel-honeycomb-glacier-gaming-laptop-exclusive-dual-screen-hinge-tobii-eye-tracking>> (Year: 2019).*

Intel Copper Harbor 12, last retrieved Apr. 13, 2020, 1 page.

Lenovo Yogabook 2, last retrieved Apr. 13, 2020, 1 page.

Pegatron Magneto, last retrieved Apr. 13, 2020, 1 page.

Surface Pro and keyboard, last retrieved Apr. 13, 2020, 1 page.

Pad and keyboard, last retrieved Apr. 13, 2020, 1 page.

* cited by examiner

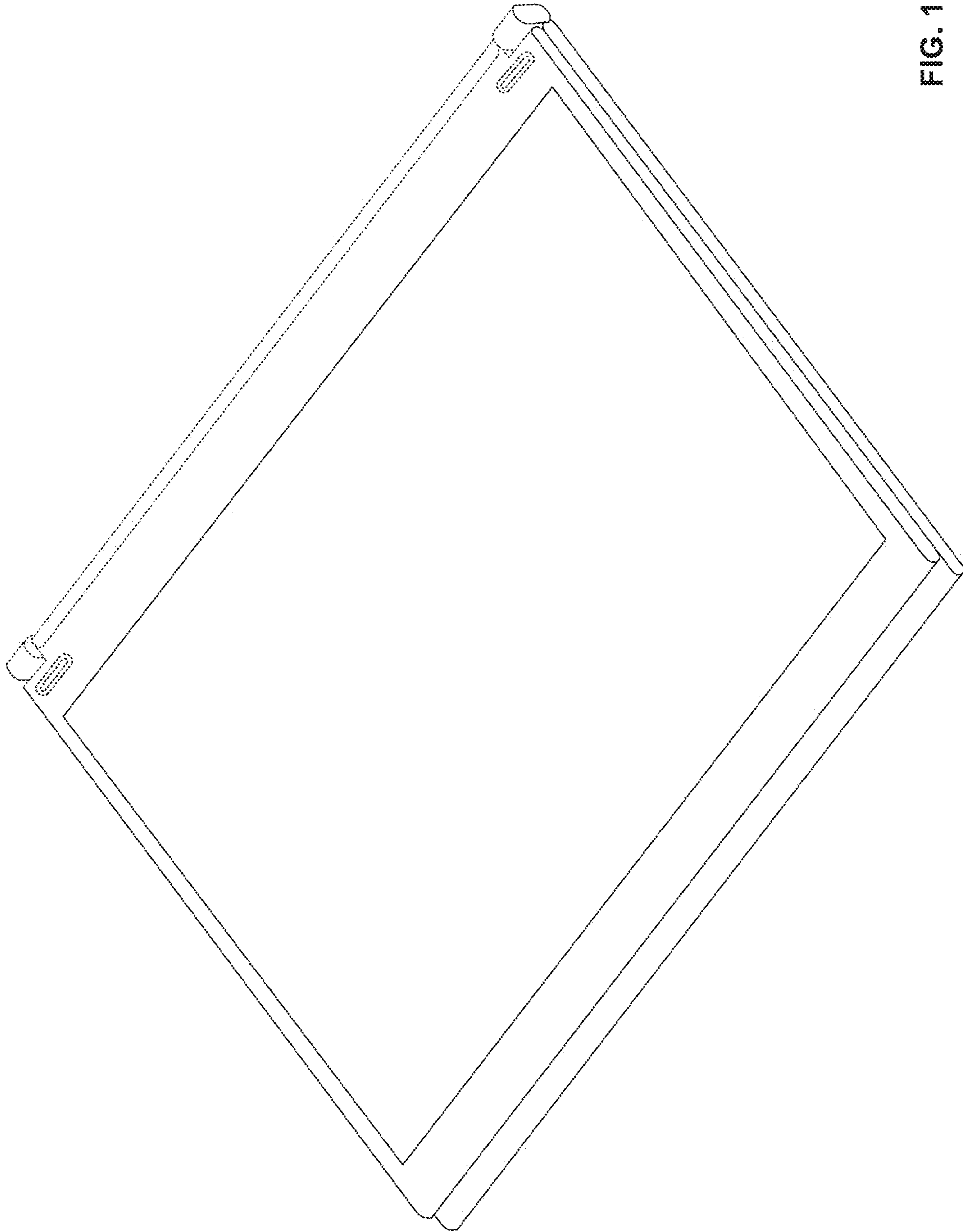


FIG. 1

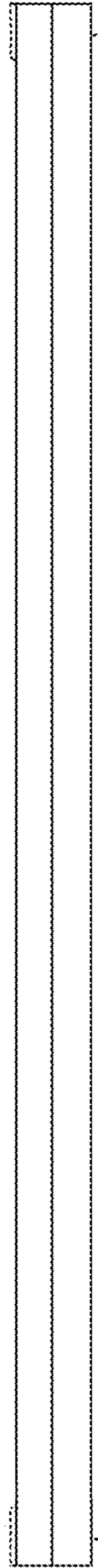


FIG. 2

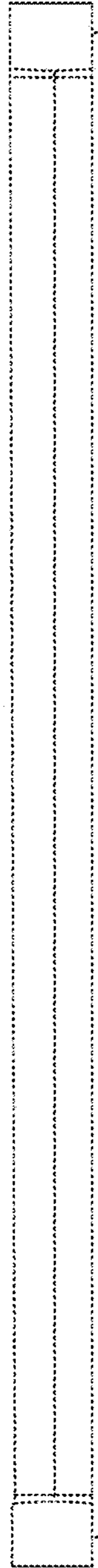


FIG. 3

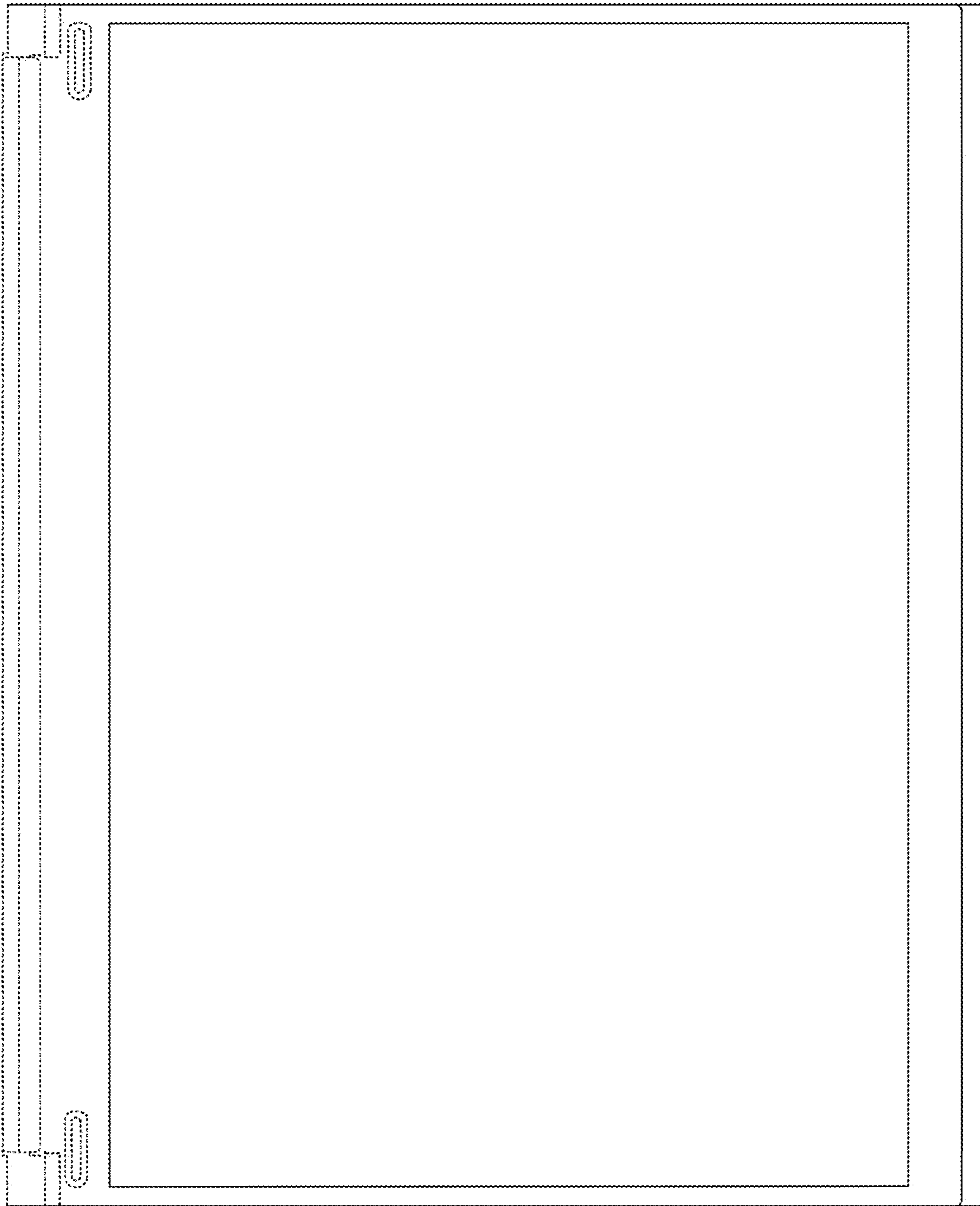


FIG. 4

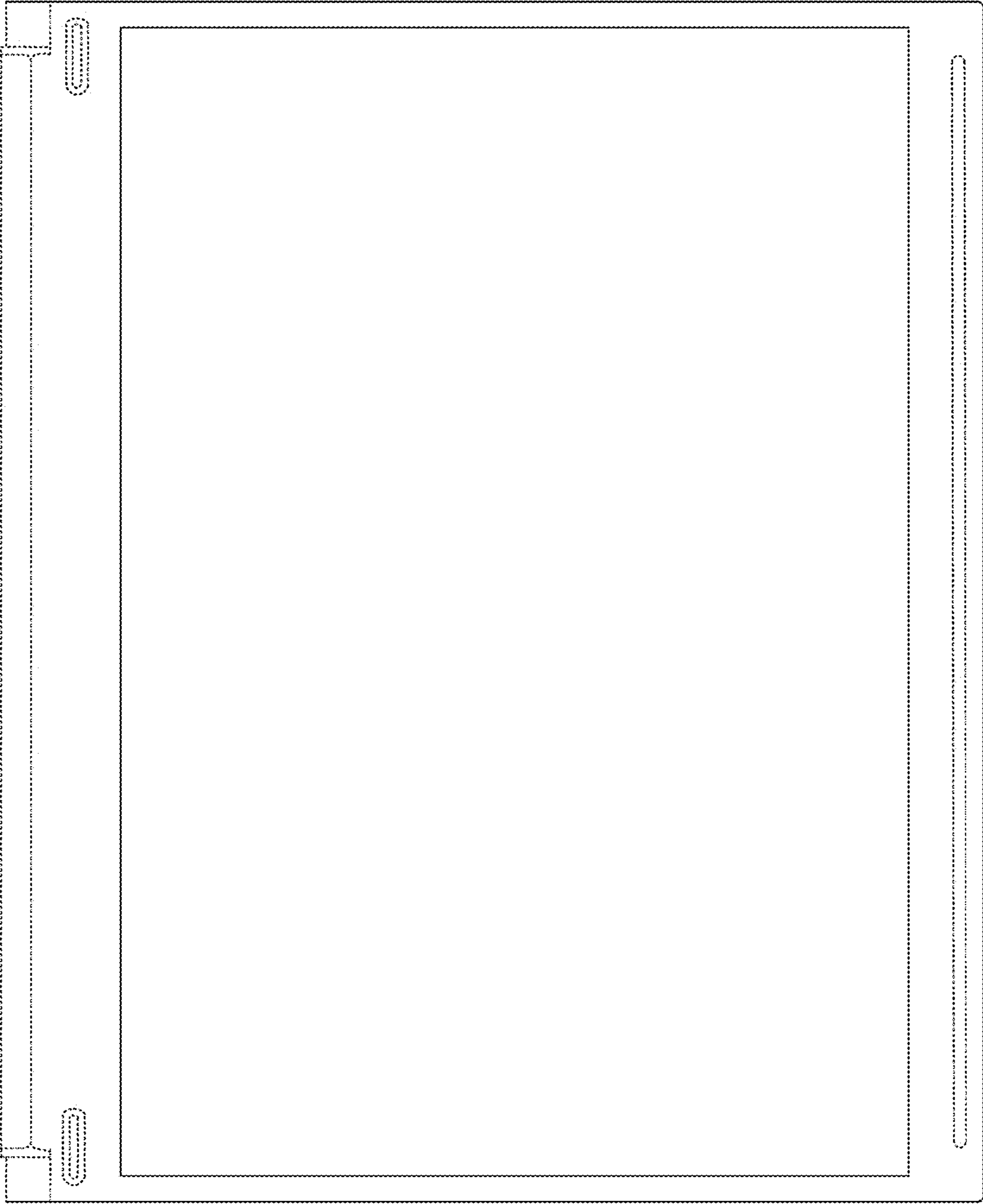


FIG. 5