

US00D933059S

(12) **United States Design Patent**  
**Triplicane Gopikrishnan et al.**

(10) **Patent No.:** **US D933,059 S**  
(45) **Date of Patent:** **\*\* Oct. 12, 2021**

(54) **CONVERTIBLE ELECTRONIC DEVICE**

(71) Applicant: **Intel Corporation**, Santa Clara, CA  
(US)

(72) Inventors: **Babu Triplicane Gopikrishnan**,  
Bangalore (IN); **Kathiravan D**,  
Bangalore (IN); **Prakash Kurma Raju**,  
Bangalore (IN); **Prasanna Pichumani**,  
Bangalore (IN)

(73) Assignee: **Intel Corporation**, Santa Clara, CA  
(US)

(\*\*) Term: **15 Years**

(21) Appl. No.: **29/664,946**

(22) Filed: **Sep. 28, 2018**

(51) **LOC (13) Cl.** ..... **14-02**

(52) **U.S. Cl.**  
USPC ..... **D14/320; D14/331**

(58) **Field of Classification Search**  
USPC ..... D14/315–327, 331, 334–336, 339–340,  
D14/371, 373–374; D18/1–2, 7, 11,  
D18/12.2–12.3  
CPC ..... G06F 1/1618; G06F 1/166; G06F 1/1613;  
G06F 1/1616; G06F 1/162; G06F 1/1622;  
G06F 1/1624; G06F 1/1633; G06F  
1/1615;

(Continued)

(56) **References Cited**

**U.S. PATENT DOCUMENTS**

5,260,885 A \* 11/1993 Ma ..... G06F 1/1626  
136/245  
5,596,481 A \* 1/1997 Liu ..... G06F 1/1616  
248/118.1

(Continued)

**FOREIGN PATENT DOCUMENTS**

WO WO-0195076 A1 \* 12/2001 ..... G06F 1/1616  
WO WO-2014183565 A1 \* 11/2014 ..... G06F 1/1624  
WO WO-2016049942 A1 \* 4/2016 ..... H04M 1/0247

**OTHER PUBLICATIONS**

Shilov, Anton, Asus Rog 'Mothership' GZ7000GX 17.3-inch G-Sync Gaming Laptop with Detachable Keyboard, posted at AnandTech, posting date Jan. 24, 2019. Site visited Aug. 16, 2020. URL: <<https://www.anandtech.com/show/13893/asus-rog-mothership-gz700gx-144hz-17-inch-convertible-core-i9-geforce-rtx>> (Year: 2019).\*

(Continued)

*Primary Examiner* — Kathleen L Jones

(74) *Attorney, Agent, or Firm* — Hanley, Flight & Zimmerman, LLC

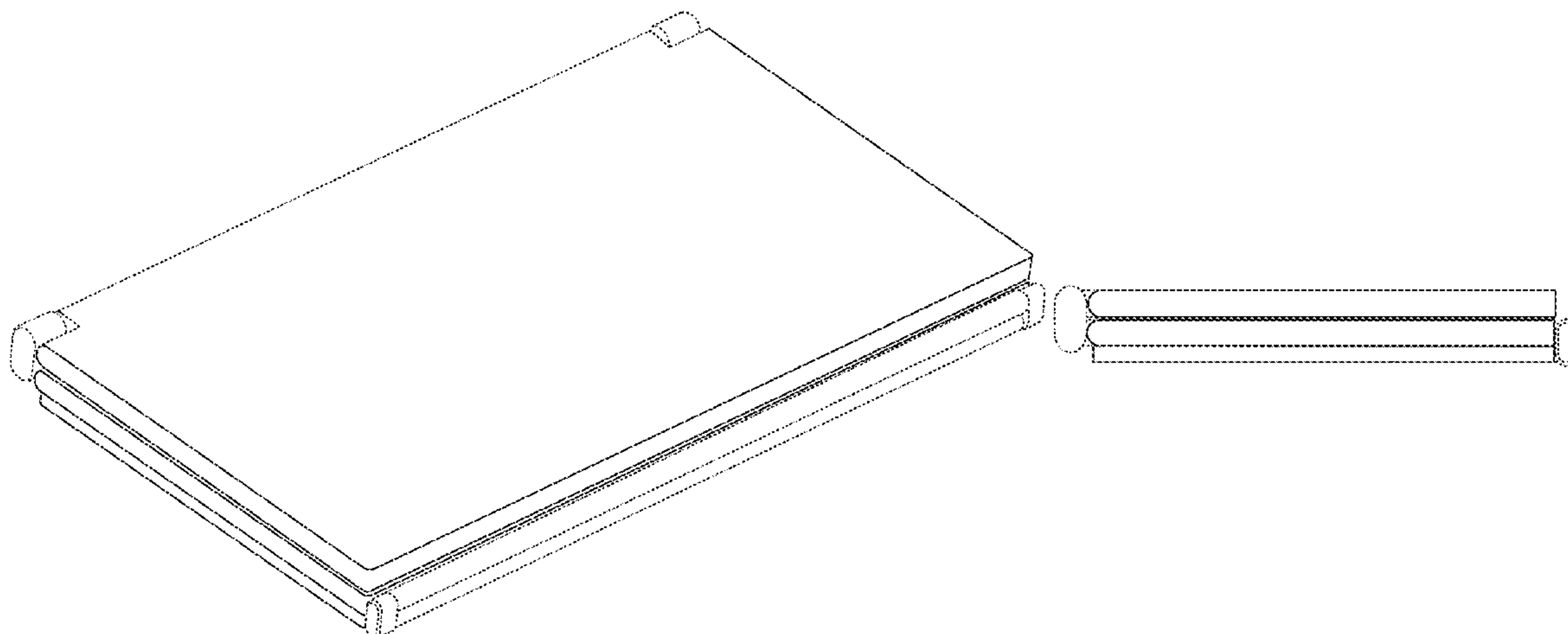
(57) **CLAIM**

The ornamental design for a convertible electronic device, as shown and described.

**DESCRIPTION**

FIG. 1 is a left, front, top perspective view of a convertible electronic device in a closed position.  
FIG. 2 is a front view of the convertible electronic device of FIG. 1.  
FIG. 3 is a rear view of the convertible electronic device of FIG. 1.  
FIG. 4 is a top view of the convertible electronic device of FIG. 1.  
FIG. 5 is a bottom view of the convertible electronic device of FIG. 1.  
FIG. 6 is a right side view of the convertible electronic device of FIG. 1.  
FIG. 7 is a left side view of the convertible electronic device of FIG. 1; and,  
FIG. 8 is a right, front, bottom perspective view of the convertible electronic device of FIG. 1.

(Continued)



The broken lines showing portions of the convertible electronic device, as well as surfaces of the convertible electronic device adjacent broken lines, form no part of the claimed design.

**1 Claim, 8 Drawing Sheets**

**(58) Field of Classification Search**

CPC .. G06F 1/1643; G06F 1/1654; G06F 1/1656;  
G06F 1/1669; G06F 1/203; G06F 1/1688;  
G06F 1/1601; G06F 1/1637; G06F 1/181;  
G06F 1/1662; G06F 1/1666; G06F  
1/1671; H05K 5/0047; H05K 5/0052  
See application file for complete search history.

**(56) References Cited**

U.S. PATENT DOCUMENTS

D413,583	S *	9/1999	Lin	.....	D14/321
6,865,075	B2 *	3/2005	Oakley	.....	G06F 1/1618 345/173
D565,047	S *	3/2008	Jawerth	.....	D14/316
D639,802	S *	6/2011	Brooks	.....	D14/315
D640,686	S *	6/2011	Daniel	.....	D14/327
D669,467	S *	10/2012	Bailout	.....	D14/336
D681,627	S *	5/2013	Barton	.....	D14/315
D696,245	S *	12/2013	Lee	.....	D14/315
D700,600	S *	3/2014	Matsuoka	.....	D14/315
D709,491	S *	7/2014	Kurimoto	.....	D14/320
D719,564	S *	12/2014	Ji	.....	D14/315
D726,715	S *	4/2015	Sung	.....	D14/331
D756,349	S *	5/2016	Lim	.....	D14/315
D762,639	S *	8/2016	Montoya	.....	D14/316
D768,624	S *	10/2016	Bae	.....	D14/345
D873,816	S *	1/2020	Wu	.....	D14/315
10,747,264	B1 *	8/2020	Knoppert	.....	G06F 1/1616
10,747,272	B1 *	8/2020	Morrison	.....	G06F 1/1669
10,754,390	B2 *	8/2020	Quinn	.....	G06F 1/1618
10,802,548	B2 *	10/2020	Wu	.....	G06F 1/1607
10,852,769	B2 *	12/2020	Yildiz	.....	G06F 1/1677
10,928,855	B2 *	2/2021	Knoppert	.....	H05K 7/20336
D912,662	S *	3/2021	Kurma Raju	.....	D14/331

D913,282	S *	3/2021	Song	.....	D14/345
11,003,222	B2 *	5/2021	Moon	.....	G06F 1/1681
2003/0213101	A1 *	11/2003	Lin	.....	G06F 1/1683 16/368
2010/0142139	A1 *	6/2010	Szabolcsi	.....	G06F 1/1616 361/679.27
2011/0002096	A1 *	1/2011	Thorson	.....	G06F 1/1618 361/679.04
2013/0069878	A1 *	3/2013	Li	.....	G06F 1/1616 345/168
2015/0227174	A1 *	8/2015	Byquist	.....	G06F 1/1679 361/679.55
2017/0102740	A1 *	4/2017	Kuscher	.....	G06F 1/1618
2017/0329370	A1 *	11/2017	Han	.....	G06F 1/1656
2018/0188774	A1 *	7/2018	Ent	.....	G06F 1/1618
2019/0121399	A1 *	4/2019	Ku	.....	G06F 1/169
2019/0220061	A1 *	7/2019	Fujimoto	.....	G06F 1/1618
2019/0317557	A1 *	10/2019	Lai	.....	G06F 1/1616
2020/0117244	A1 *	4/2020	Chu	.....	G06F 1/162
2020/0127384	A1 *	4/2020	Thakur	.....	H01Q 5/00
2020/0159289	A1 *	5/2020	Seibert	.....	G06F 1/1669
2020/0159293	A1 *	5/2020	Seibert	.....	G06F 1/1681
2020/0159336	A1 *	5/2020	Torres	.....	G06F 3/1423
2020/0319674	A1 *	10/2020	Knoppert	.....	G06F 1/26
2020/0319679	A1 *	10/2020	Knoppert	.....	G06F 1/1641
2020/0319686	A1 *	10/2020	Ho	.....	G06F 1/1694
2020/0319734	A1 *	10/2020	Schooley	.....	G06F 1/3262
2020/0326753	A1 *	10/2020	Yamazaki	.....	G06F 1/1618
2021/0041913	A1 *	2/2021	Lu	.....	G06F 1/1618
2021/0064084	A1 *	3/2021	Lin	.....	G06F 1/1618
2021/0096742	A1 *	4/2021	Yoon	.....	G06F 1/1677

OTHER PUBLICATIONS

Top 10 Best HP Laptop releases of 2017, posted at Reinis Fischer, posting date Apr. 4, 2017. Site visited Aug. 16, 2020. URL: <<https://www.reinifischer.com/top-10-best-hp-laptop-releases-2017-new-refurbished>> (Year: 2017).\*

Hollister, Sean, An exclusive look at Intel's wild gaming laptop prototype, posting at The Verge, posting date May 28, 2019. Site visited Aug. 16, 2020. URL: <<https://www.theverge.com/2019/5/28/18637761/intel-honeycomb-glacier-gaming-laptop-exclusive-dual-screen-hinge-tobii-eye-tracking>> (Year: 2019).\*

\* cited by examiner

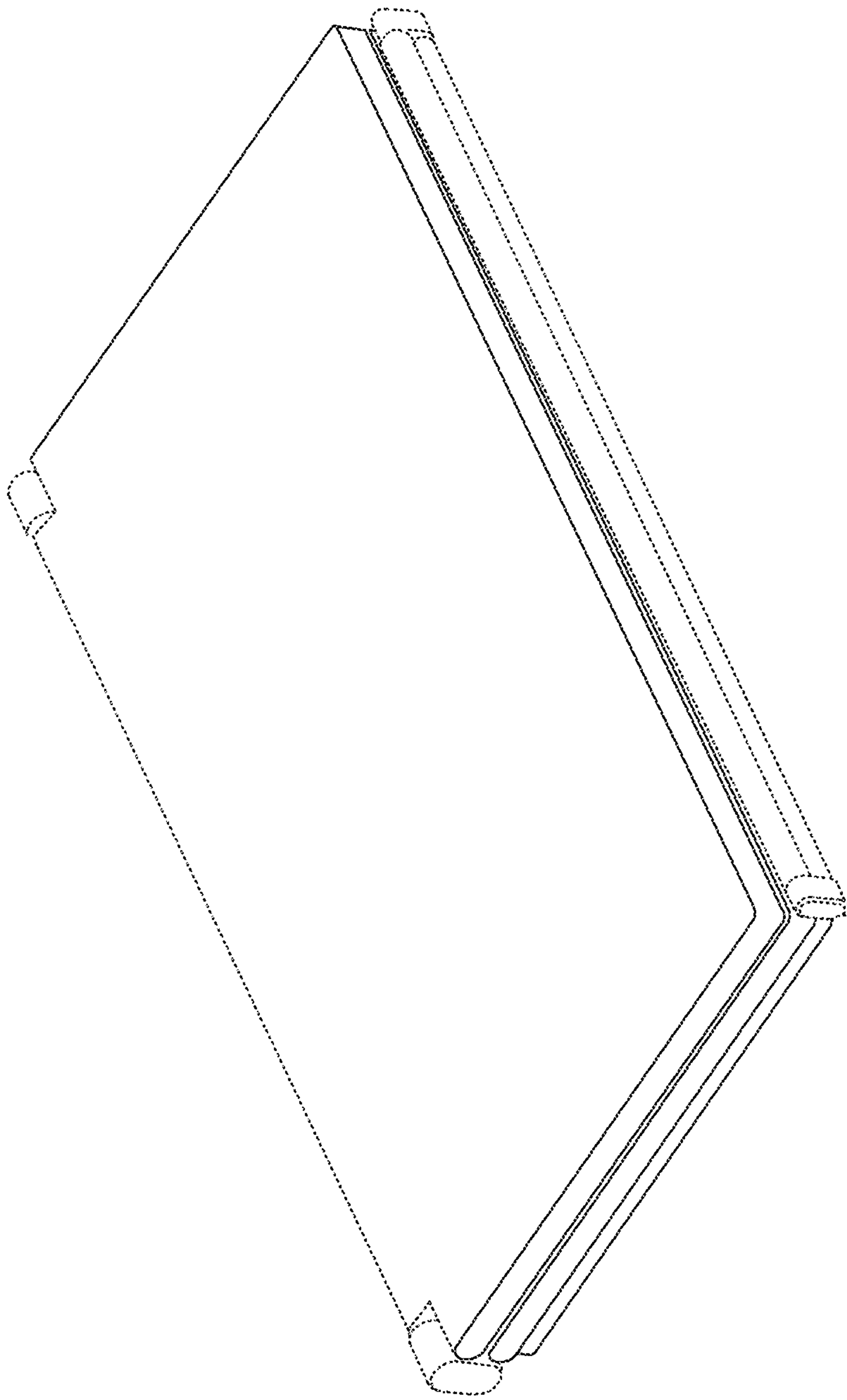


FIG. 1

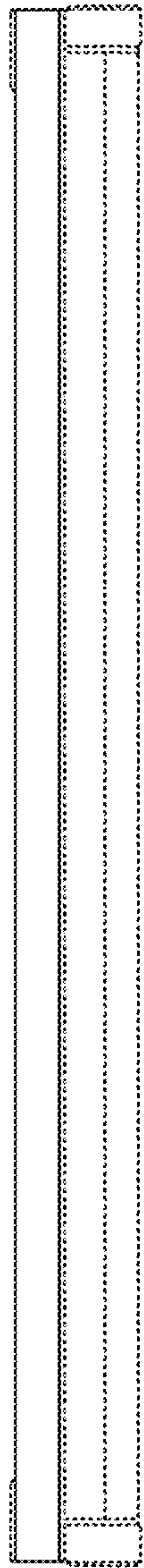
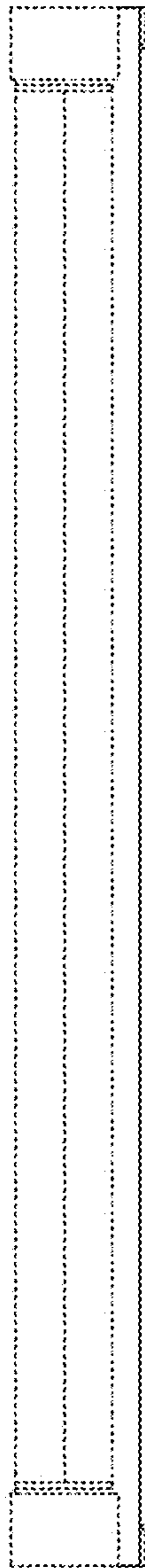


FIG. 2



FIG. 3



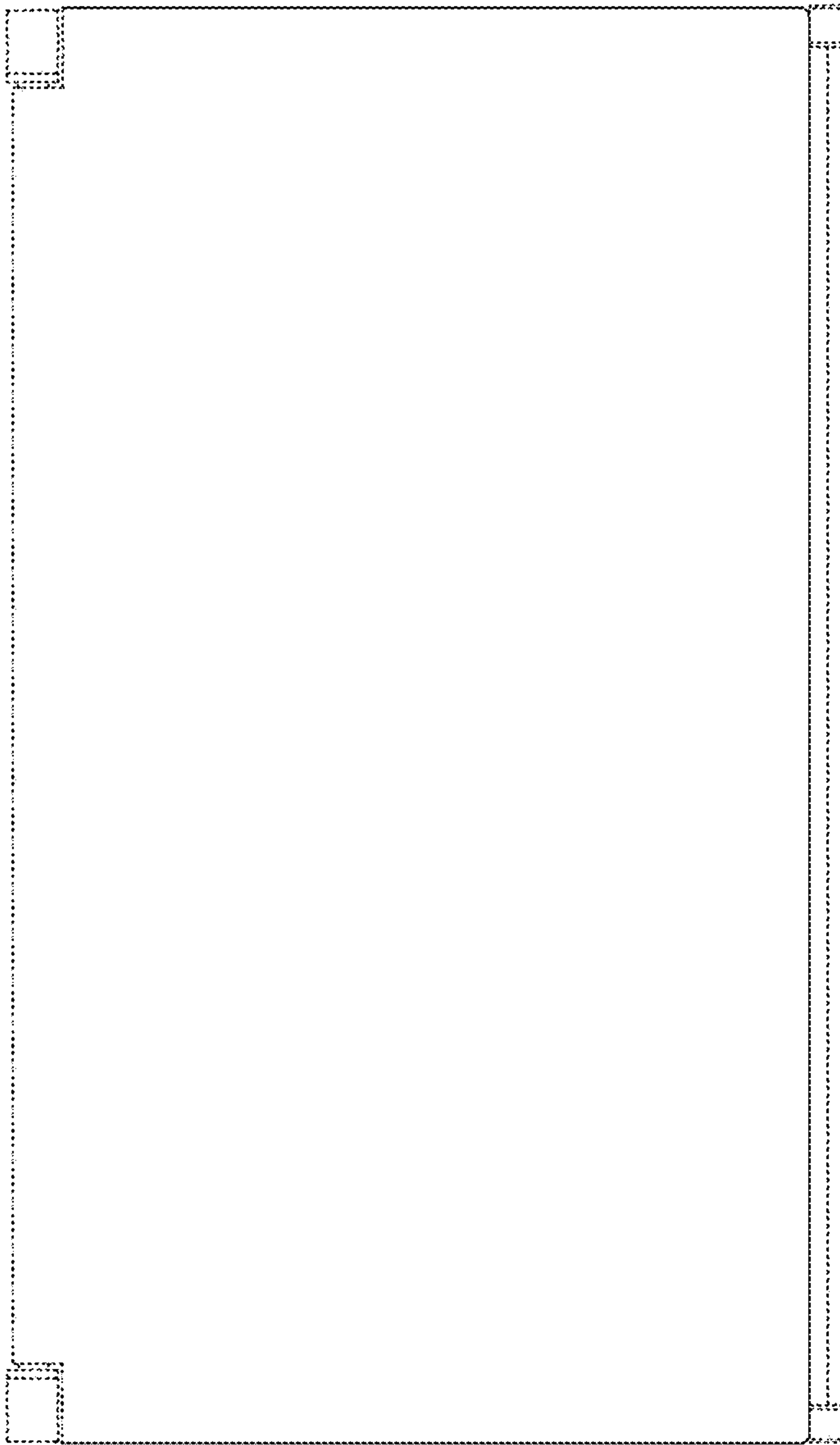


FIG. 4

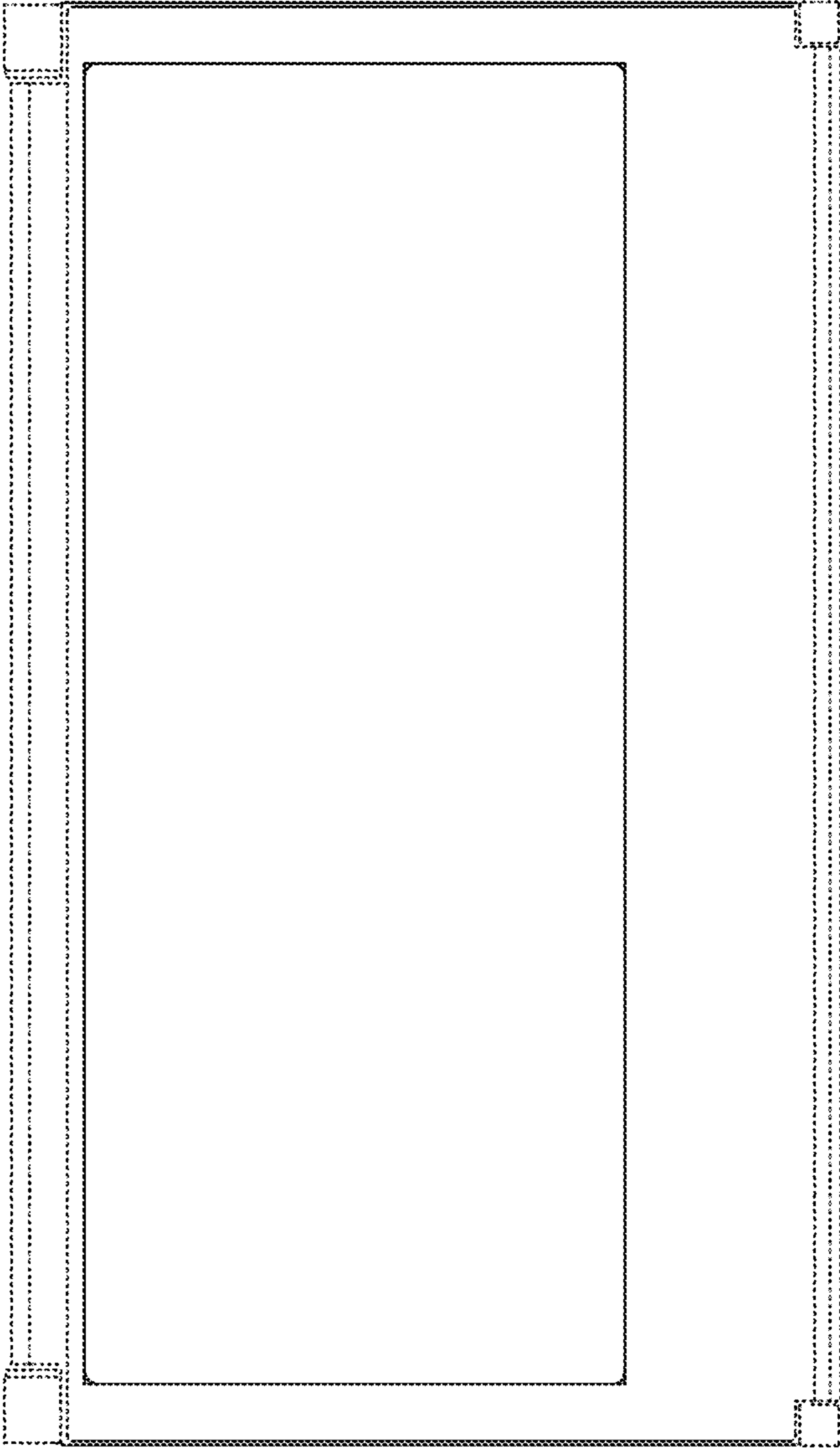


FIG. 5

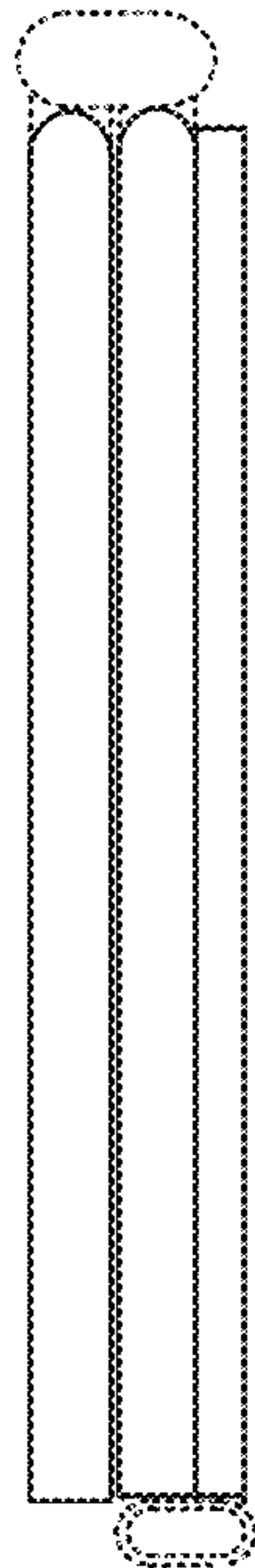


FIG. 6



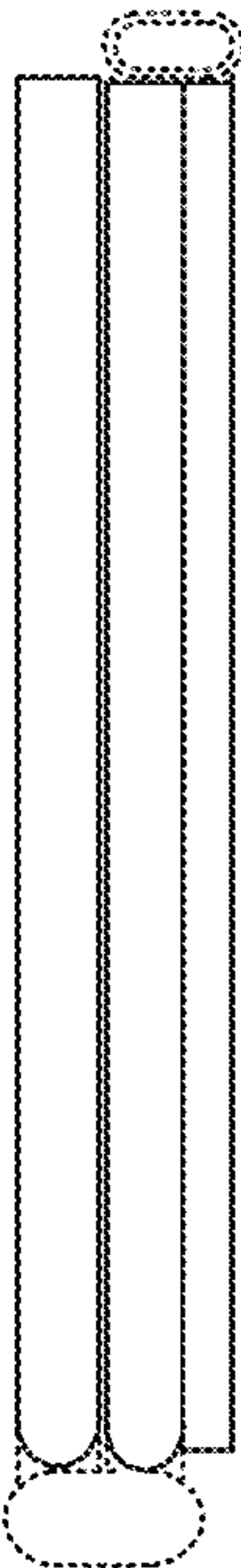


FIG. 7

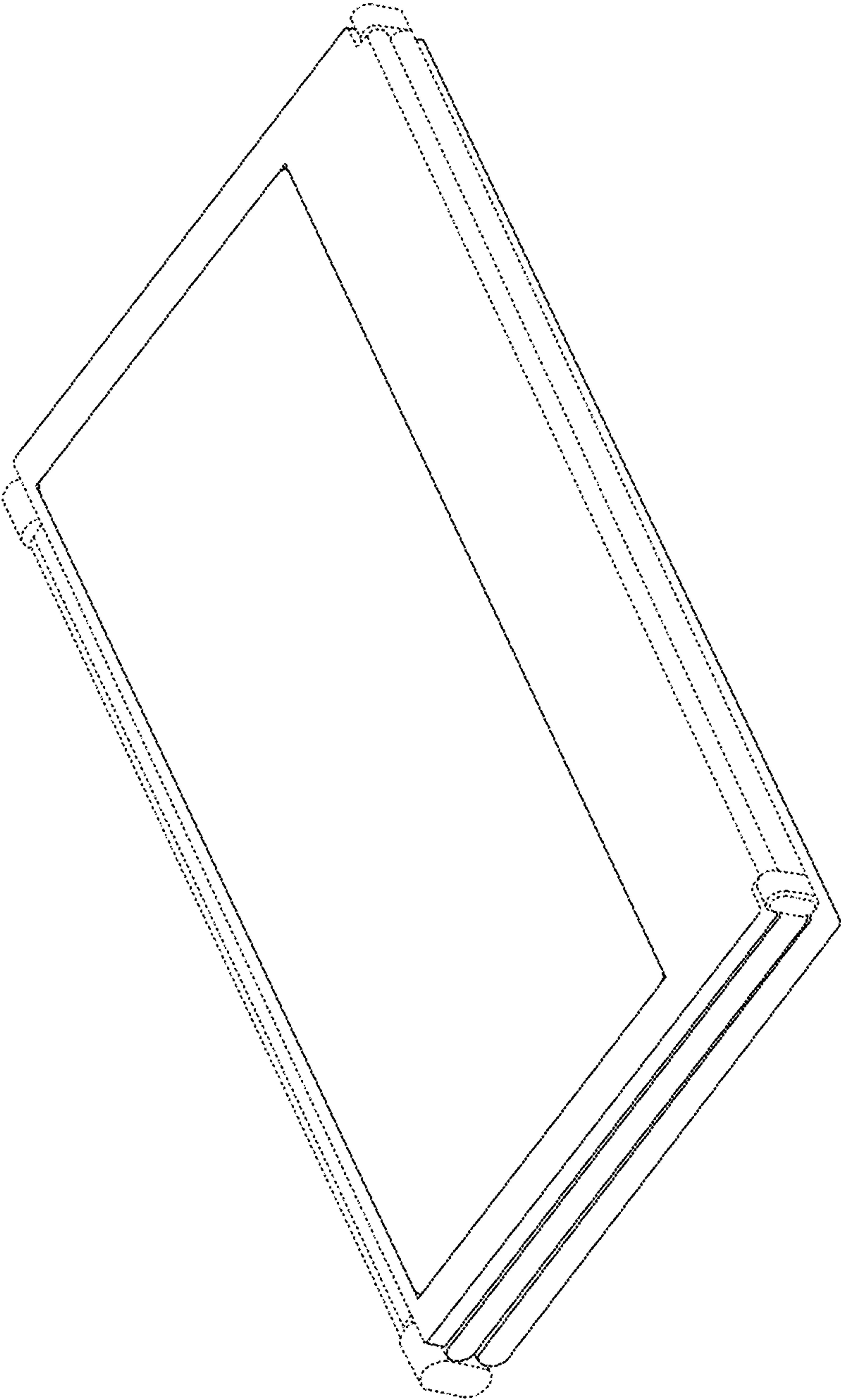


FIG. 8