



US00D933057S

(12) **United States Design Patent**
Kim

(10) **Patent No.:** **US D933,057 S**

(45) **Date of Patent:** **** Oct. 12, 2021**

(54) **STAND FOR ELECTRONIC DEVICE**

(71) Applicant: **SPIGEN KOREA CO., LTD.**, Seoul (KR)

(72) Inventor: **Seung Joo Kim**, Seoul (KR)

(73) Assignee: **Spigen Korea CO., LTD.**, Seoul (KR)

(**) Term: **15 Years**

(21) Appl. No.: **29/695,990**

(22) Filed: **Jun. 24, 2019**

Related U.S. Application Data

(63) Continuation of application No. 29/604,114, filed on May 15, 2017, now Pat. No. Des. 855,048.

(51) **LOC (13) Cl.** **14-03**

(52) **U.S. Cl.**
USPC **D14/251**; D14/447

(58) **Field of Classification Search**
USPC D14/144, 217, 224, 251–253, 434, 447, D14/451–452; D3/215, 218; D12/114,
(Continued)

(56) **References Cited**

U.S. PATENT DOCUMENTS

D495,600 S 9/2004 Kouri
D537,342 S 2/2007 Smith et al.
(Continued)

FOREIGN PATENT DOCUMENTS

KR 30-0657929 S 8/2012
KR 30-0674054 S 12/2012
(Continued)

OTHER PUBLICATIONS

Finger Ring Stand, KuGi 360 Degree Rotation Zinc Alloy phone stand holder Car Mount Phone Ring Grip For iPhone 7 7s 6s Plus

5s Galaxy S8 S8 Plus ipad etc. smartphones and Tablets, <<https://www.amazon.com/dp/B06XZ2QWMG>>, First reviewed Apr. 28, 2017, Retrieved from IDS of Jun. 25, 2018 U.S. Appl. No. 29/604,114.*

(Continued)

Primary Examiner — Sharon S Oum

(74) *Attorney, Agent, or Firm* — Heedong Chae; Lucem, PC

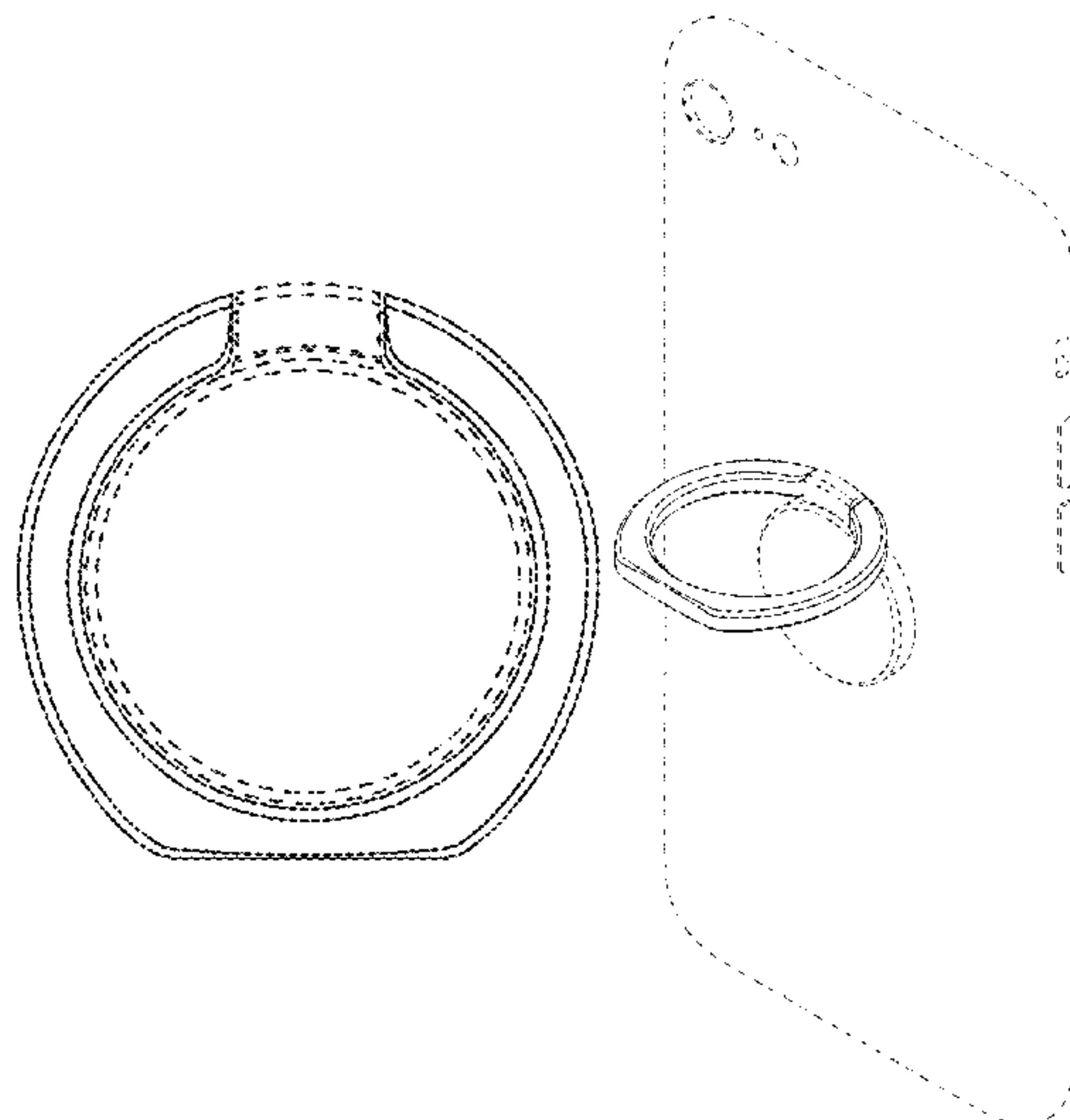
(57) **CLAIM**

The ornamental design for a stand for electronic device, as shown and described.

DESCRIPTION

FIG. 1 is a front perspective view of a stand for electronic device showing my new design;
FIG. 2 is a rear perspective view thereof;
FIG. 3 is a front elevational view thereof;
FIG. 4 is a rear elevational view thereof;
FIG. 5 is a left side elevational view thereof;
FIG. 6 is a right side elevational view thereof;
FIG. 7 is a top plan view thereof;
FIG. 8 is a bottom plan view thereof;
FIG. 9 is a front perspective view thereof shown in a first position of use;
FIG. 10 is a rear perspective view thereof;
FIG. 11 is a front elevational view thereof;
FIG. 12 is a rear elevational view thereof;
FIG. 13 is a left side elevational view thereof;
FIG. 14 is a right side elevational view thereof;
FIG. 15 is a perspective view thereof shown in a second position of use;
FIG. 16 is still another perspective view of FIG. 14;
FIG. 17 is a view identical to FIG. 9, and shown in the environment of an electronic device; and,
FIG. 18 is a view identical to FIG. 1, and shown in the environment of an electronic device.
The broken lines throughout the drawing figures depict environmental subject matter and portions of the stand for electronic device that form no part of the claimed design.

1 Claim, 18 Drawing Sheets



(56)

References Cited

OTHER PUBLICATIONS

Alloy (Rose Gold)", <https://www.amazon.com/dp/B06XBTXFTY>, Earliest review date of Nov. 14, 2017.

"Icheckey Smart Phone Ring Holder Mirror Series Stylish 360° Adjustable Ring Stand Grip Mount Kickstand for iPhone 7/7 Plus, Galaxy S8/S8 Plus and Almost All Cases/Phones—Bowknot Rose Gold", <https://www.amazon.com/dp/B06XW7YD4H>, Earliest review date of May 20, 2017.

"iQbe Smart Phone Ring Holder Mirror Series Stylish 360° Adjustable Ring Stand Grip Mount Kickstand for iPhone 7/7 Plus, Galaxy S8/S8 Plus and Almost All Cases/Phones—Demon Black", <https://www.amazon.com/dp/B071WF6F2T>, Earliest review date of Jul. 26, 2017.

"Mobile Phone Magnetic Holder, 2 in 1, Finger Ring Grip, Magnet Car Dash Mount Stand for Iphone 5 6 7 Plus, Samsung Galaxy S5 S6 S7 S8 Edge Note Nexus HTC Nokia LG Lenovo and All Cell Phones (Silver)", <https://www.amazon.com/dp/B01N6PVL3B>, Earliest review date of Dec. 17, 2016.

"iRing Universal Masstige Ring Grip/Stand Holder for any Smart Device—Black", http://www.amazon.com/iRing-Universal-Masstige-Holder-Device/dp/B00DUN9B9U/ref=cm_cr_ar_p_d_product_top?ie=UTF8, Earliest review date of Oct. 10, 2013.

"Spigen Style Ring Phone Grip Car Mount/Stand/Holder/Kickstand for iPhone 7/7 Plus/SE/6S/6/6S Plus/6 Plus/Google Pixel XL/Galaxy S8 / S8 plus / S7 / S7 edge and Almost All Cases/Phones—Black", https://www.amazon.com/Spigen-Holder-Kickstand-iPhone-Google/dp/B0193VF09W/ref=cm_cr_ar_p_d_product_top?ie=UTF8, Earliest review date of Oct. 23, 2015.

* cited by examiner

FIG. 1

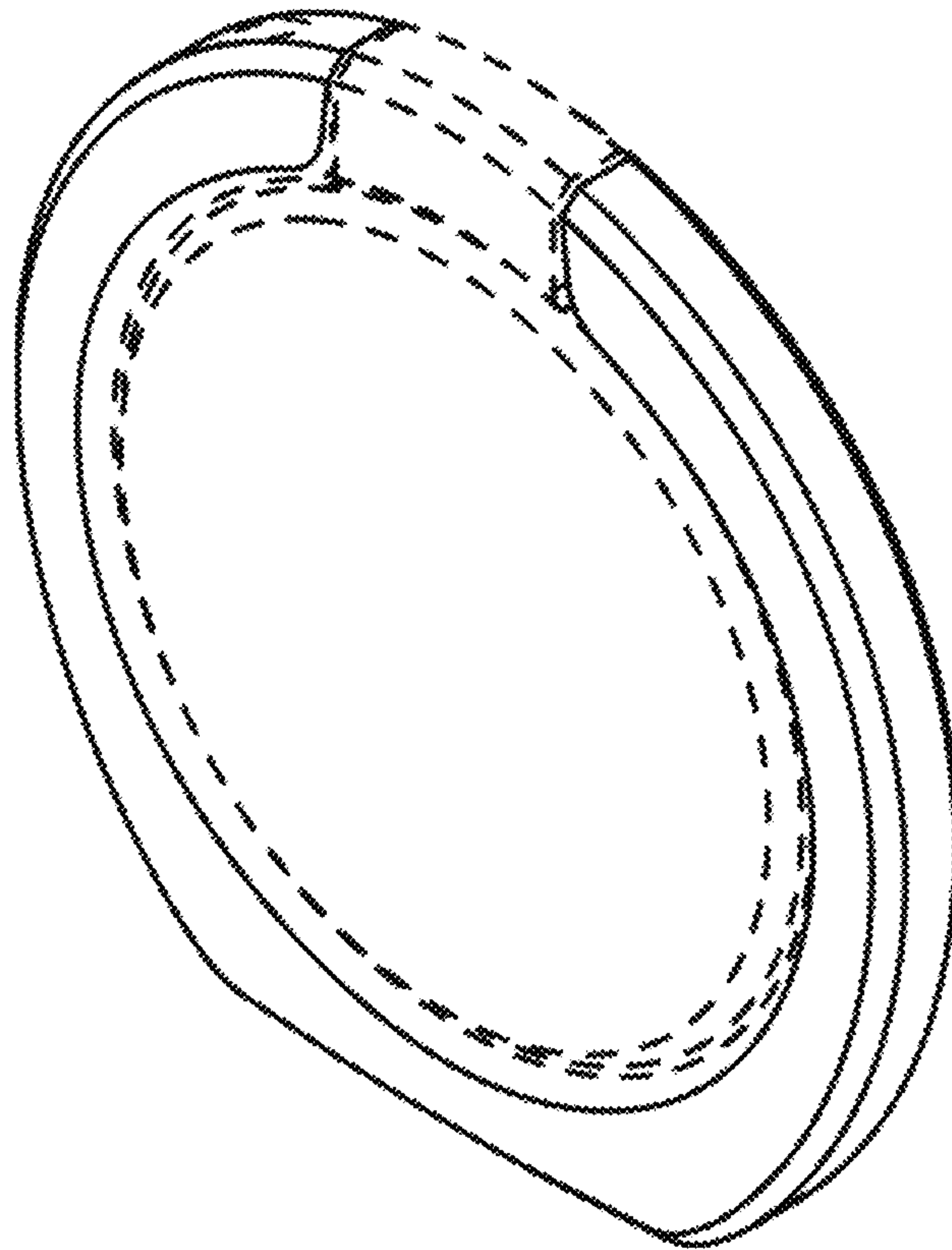


FIG. 2

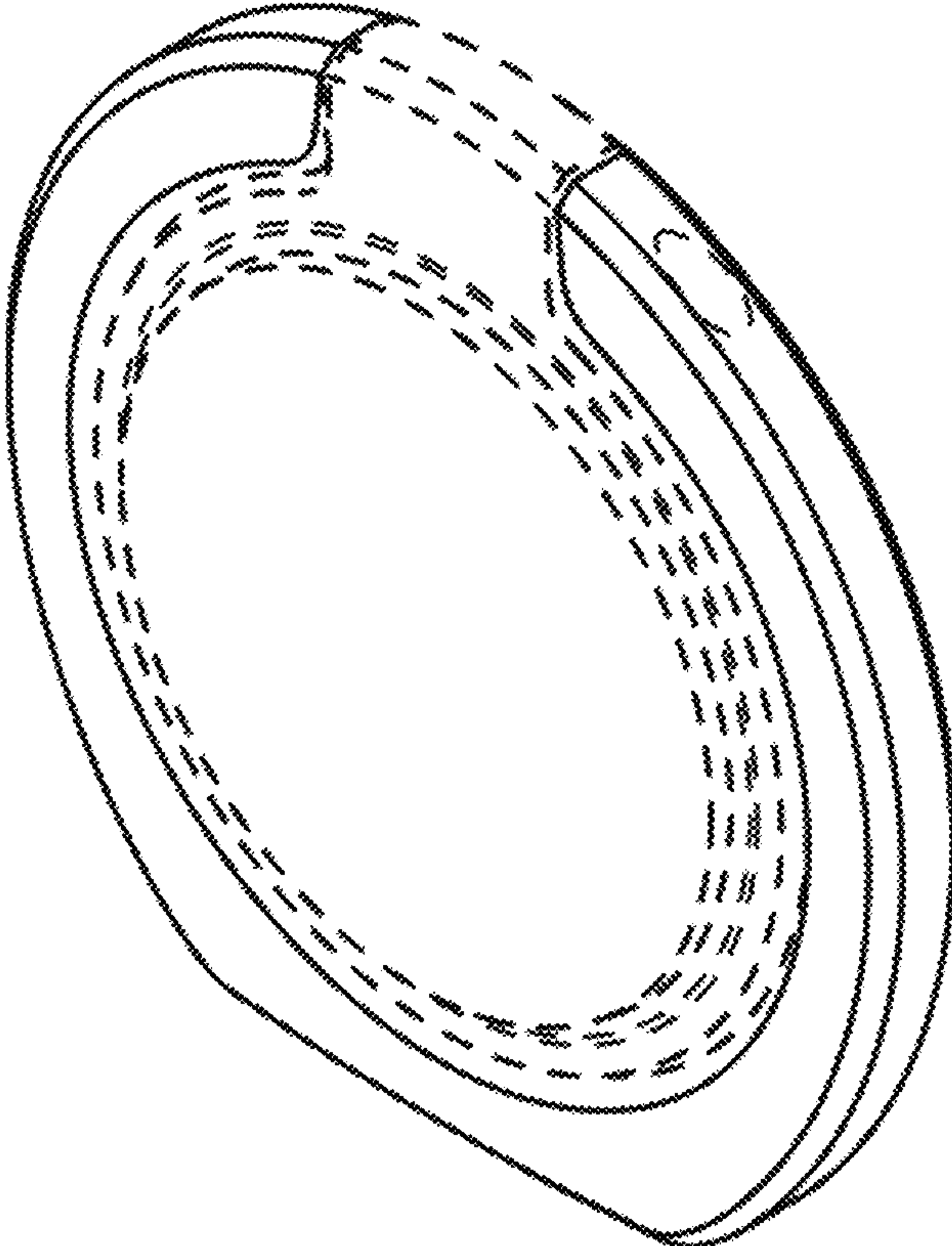


FIG. 3

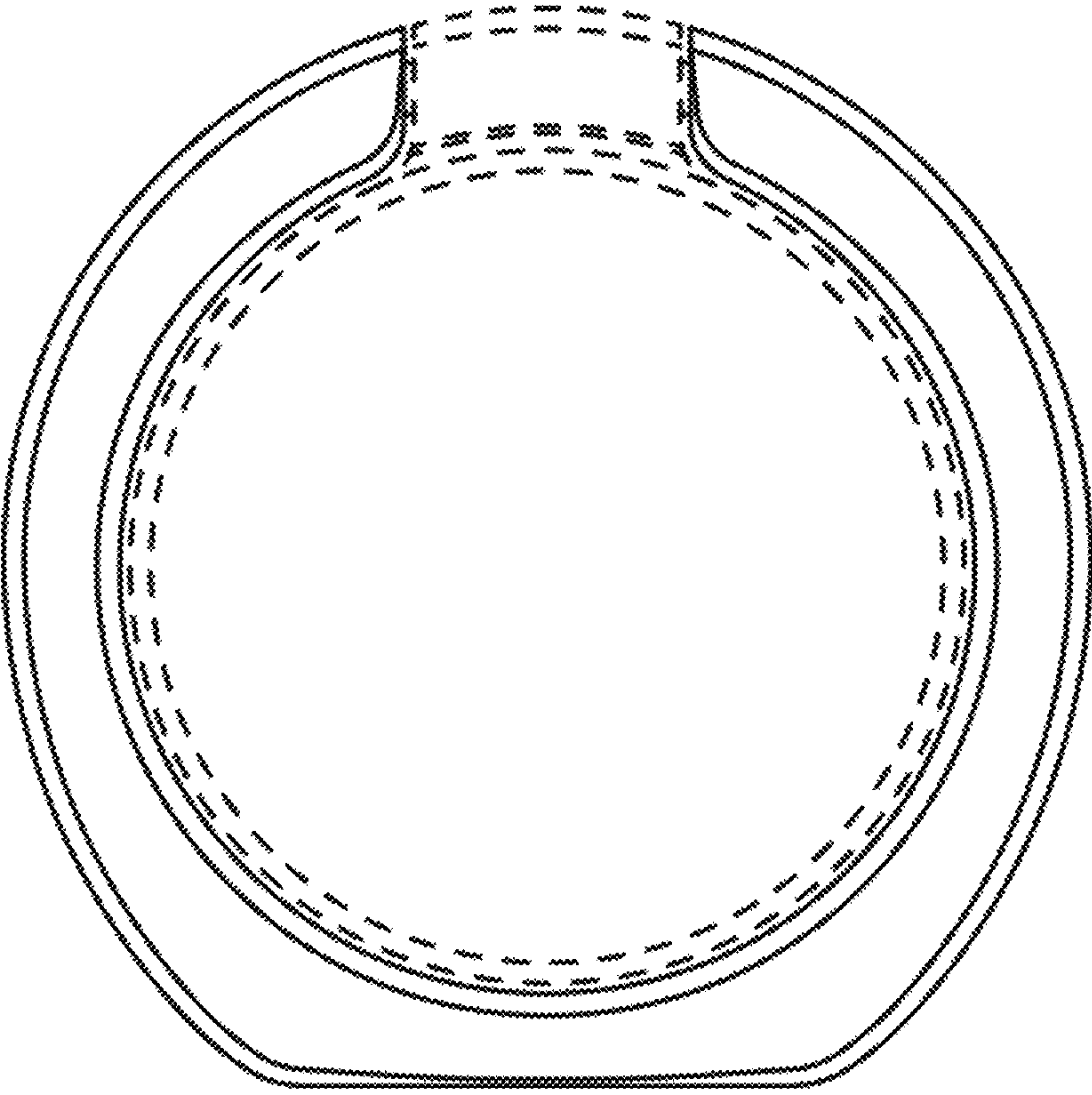


FIG. 4

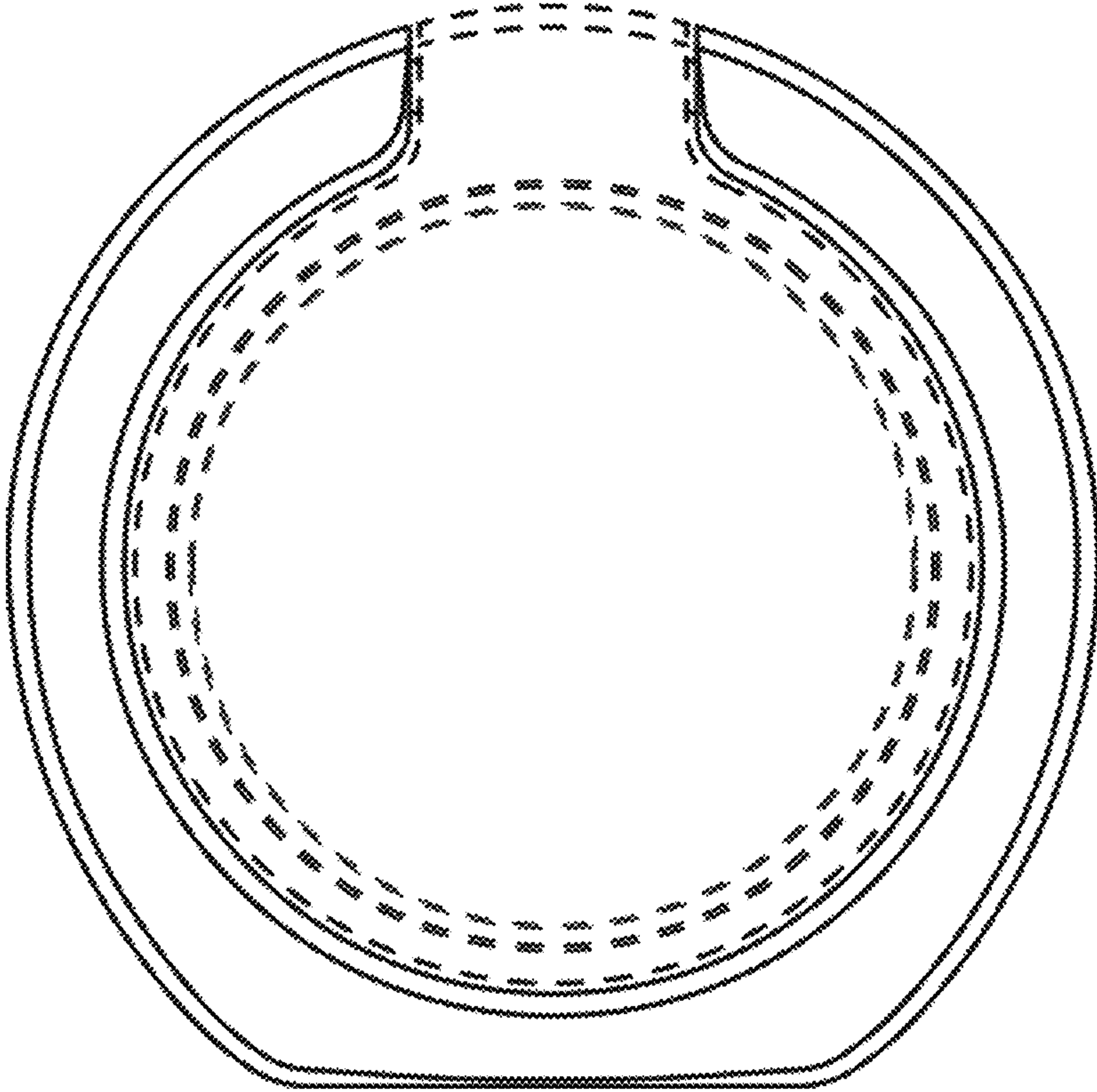


FIG. 5



FIG. 6



FIG. 7

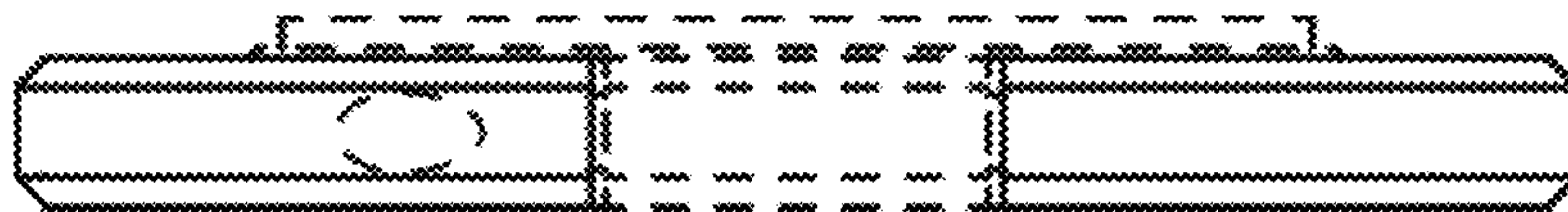


FIG. 8

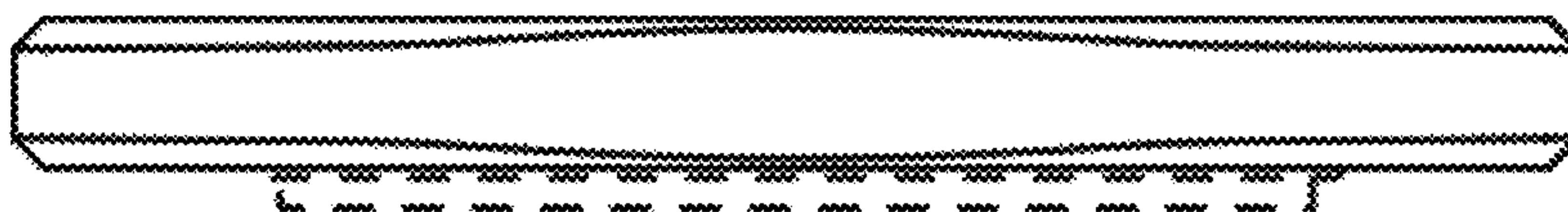


FIG. 9

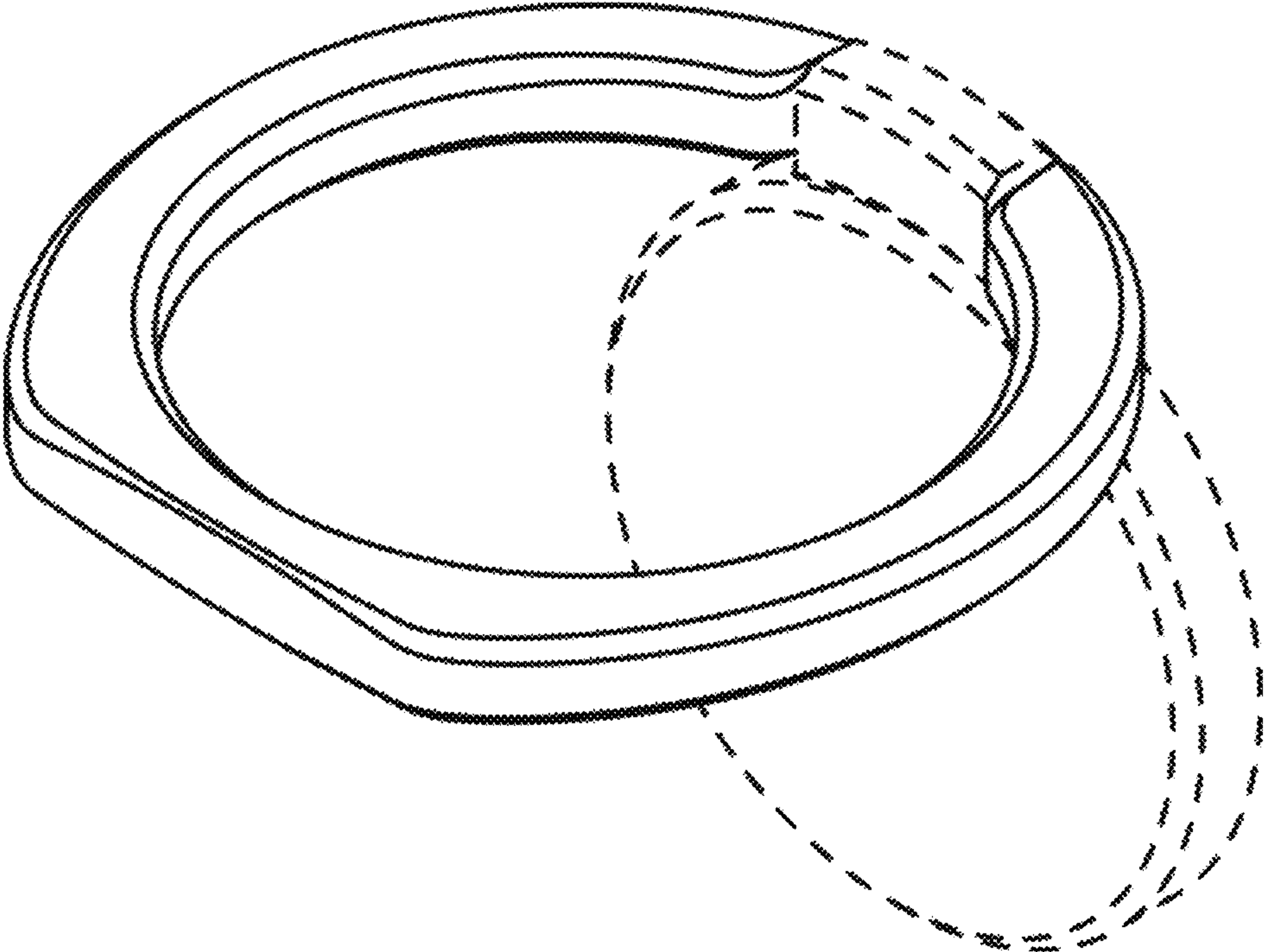


FIG. 10

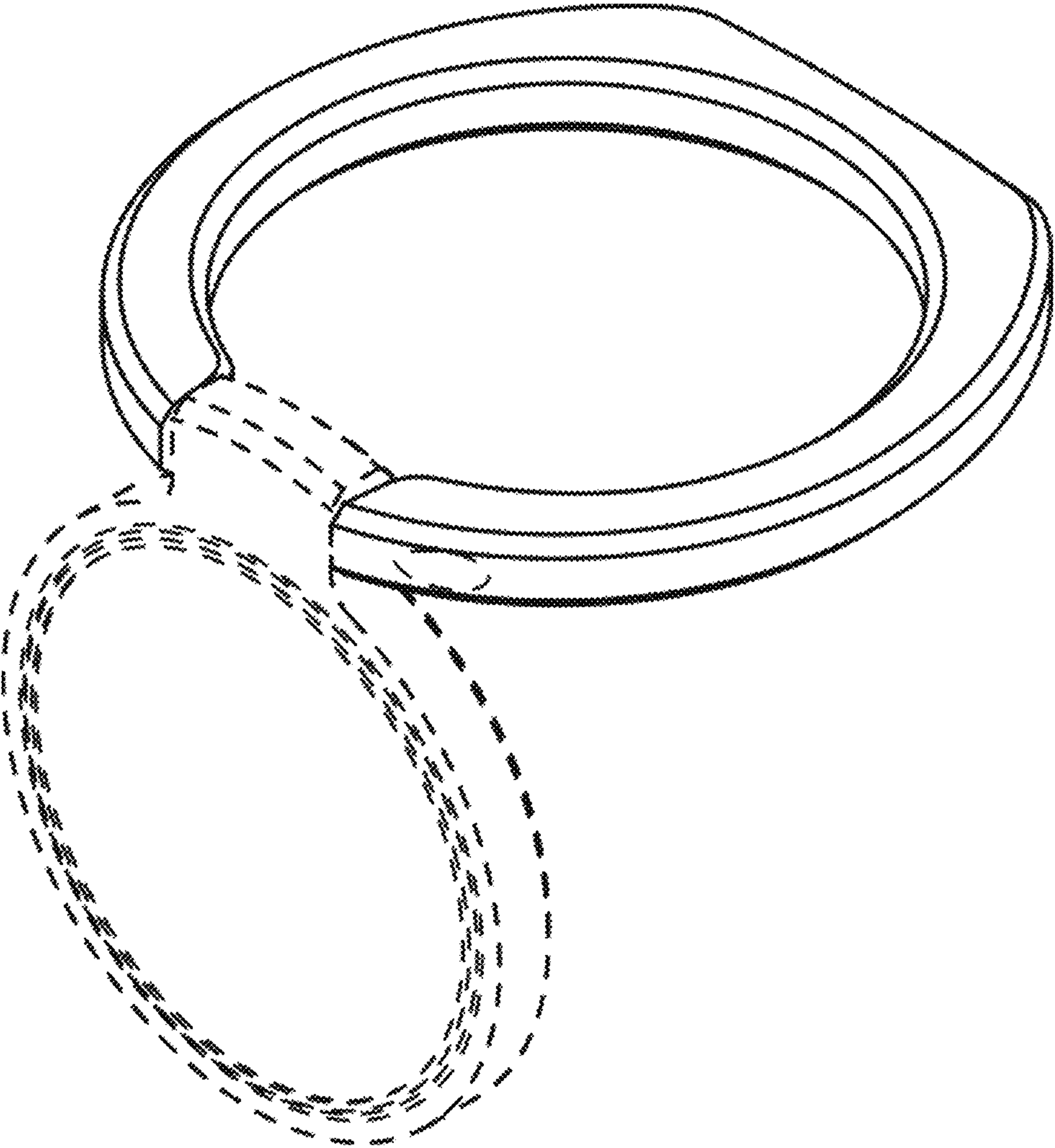


FIG. 11

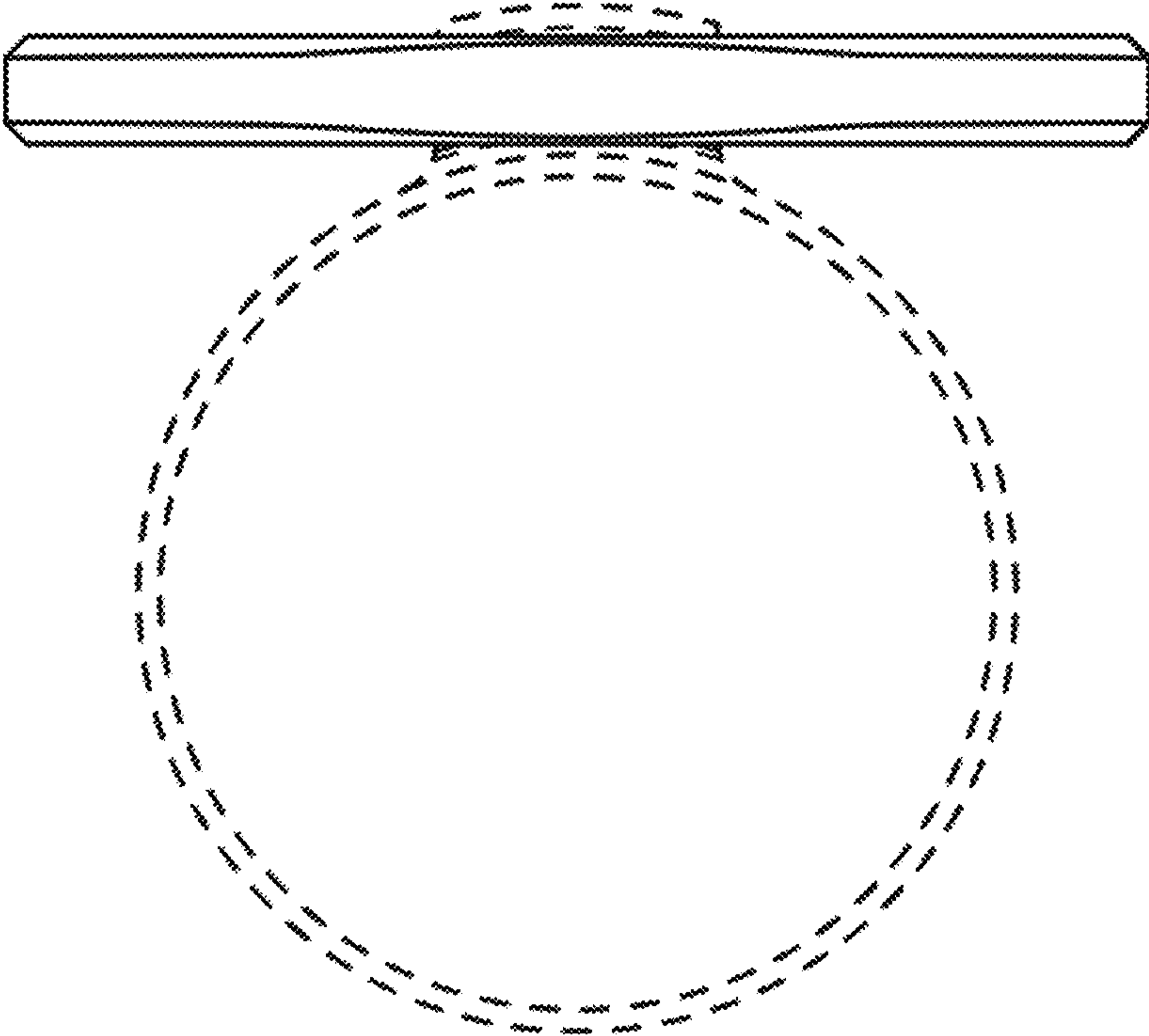


FIG. 12

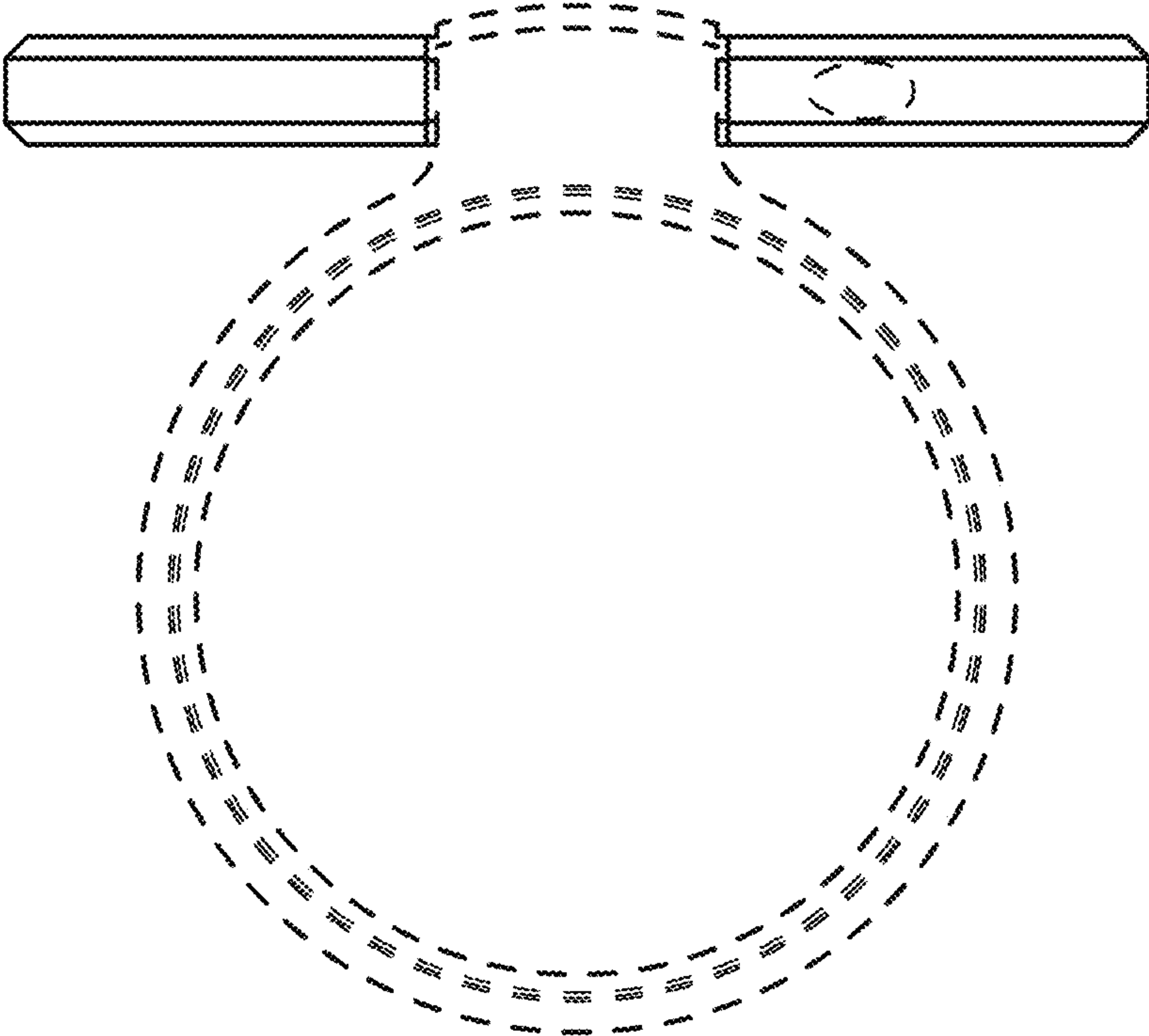


FIG. 13

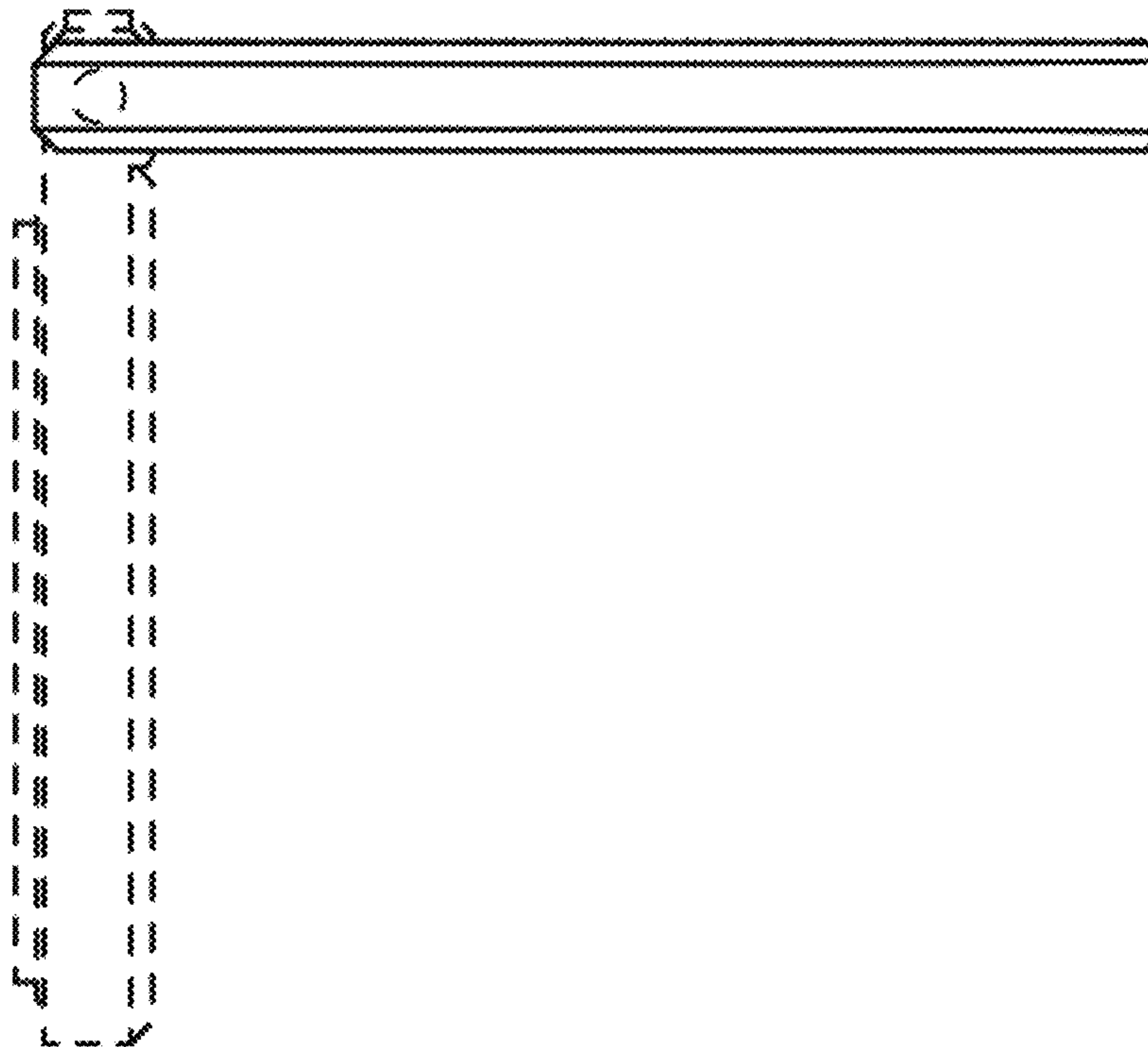


FIG. 14

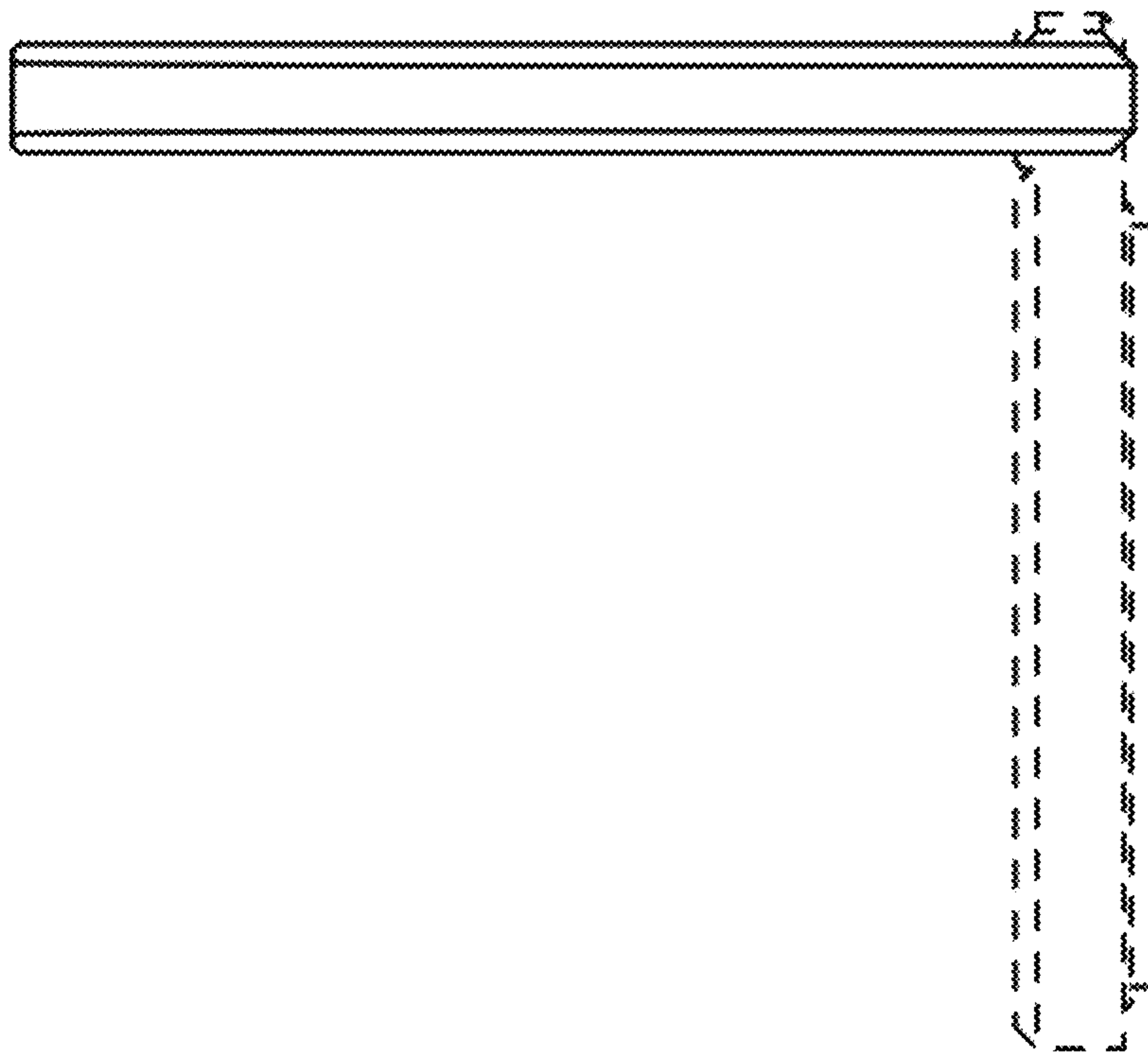


FIG. 15

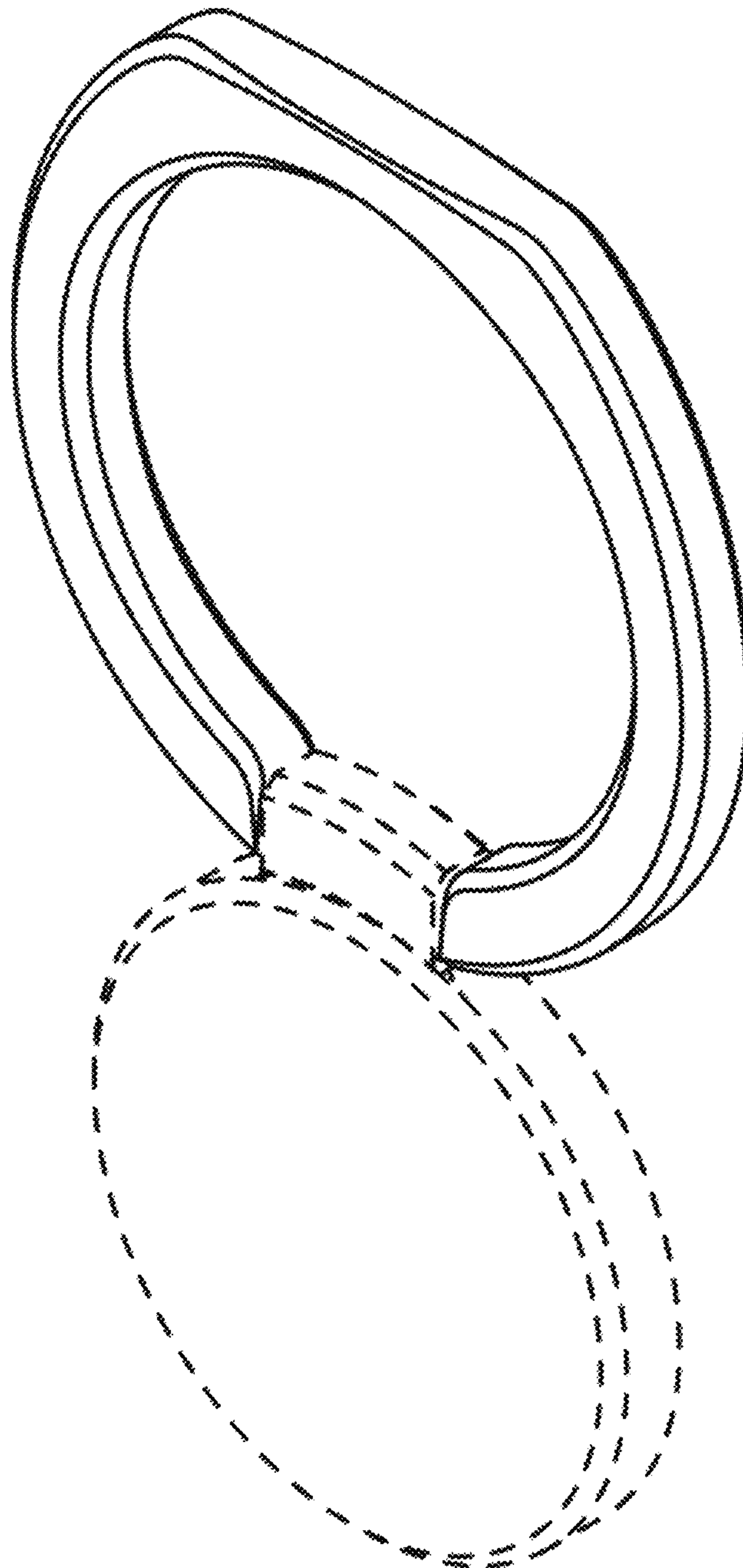


FIG. 16

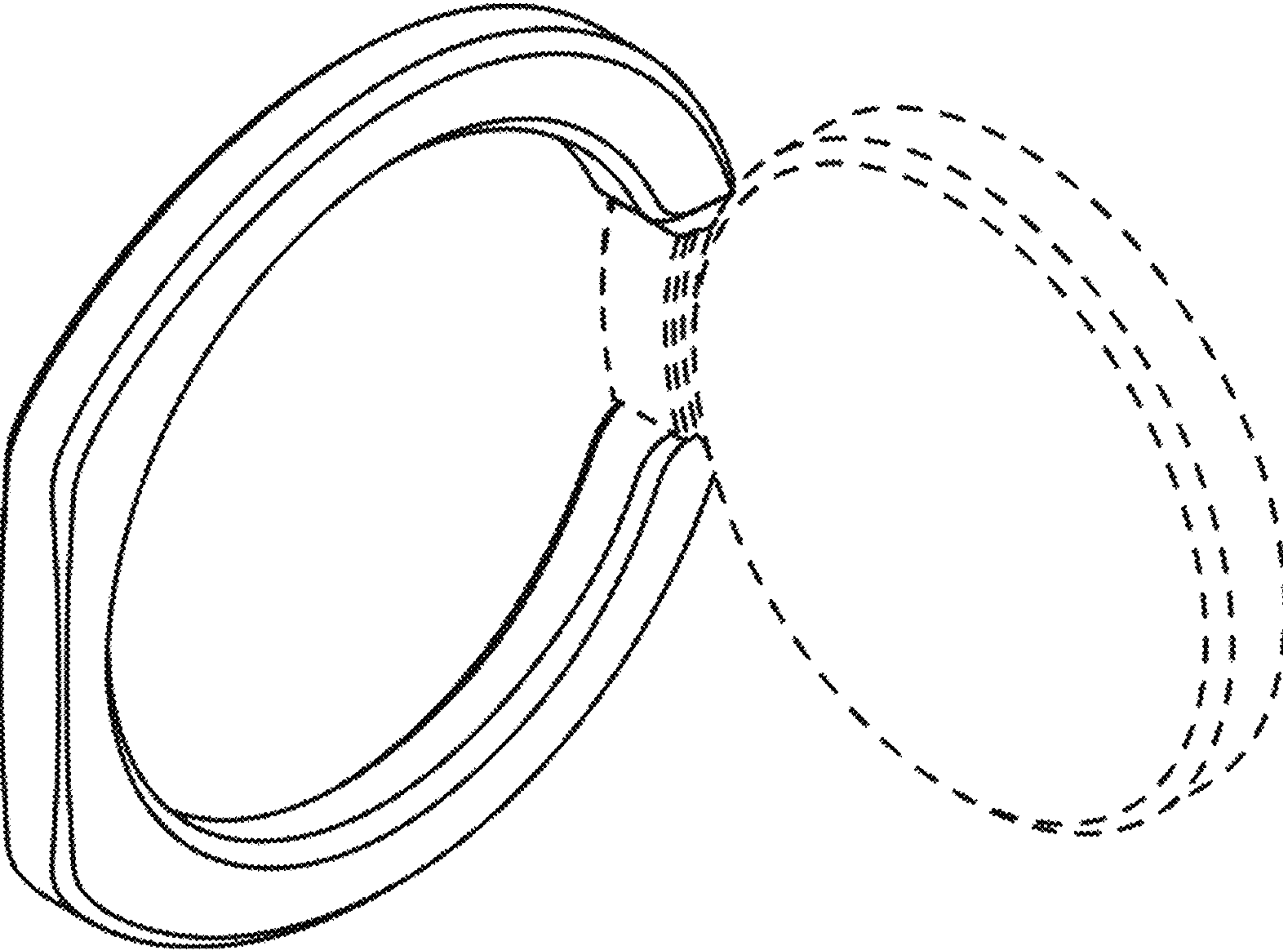


FIG. 17

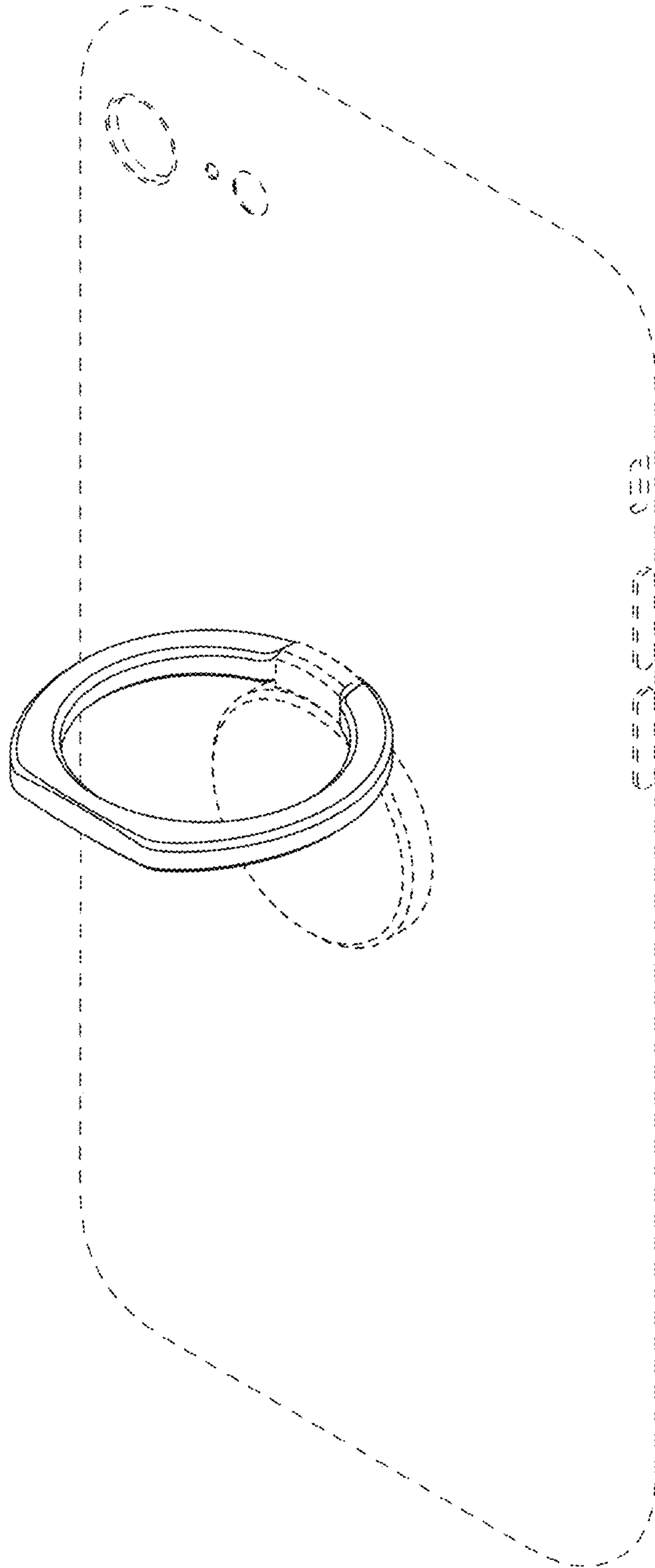


FIG. 18

