



US00D933056S

(12) **United States Design Patent**  
**Kwon**

(10) **Patent No.:** **US D933,056 S**  
(45) **Date of Patent:** **\*\* Oct. 12, 2021**

- (54) **CASE FOR ELECTRONIC COMMUNICATIONS DEVICE**
- (71) Applicant: **SPIGEN KOREA CO., LTD.**, Seoul (KR)
- (72) Inventor: **Younghee Kwon**, Seoul (KR)
- (73) Assignee: **SPIGEN KOREA CO., LTD.**, Seoul (KR)
- (\*\*) Term: **15 Years**
- (21) Appl. No.: **29/719,326**
- (22) Filed: **Jan. 2, 2020**
- (51) **LOC (13) Cl.** ..... **14-03**
- (52) **U.S. Cl.**  
USPC ..... **D14/250**
- (58) **Field of Classification Search**  
USPC ..... D14/203.3–203.7, 439, 251–253, 447, D14/217, 240, 238.1, 250, 440, 248; D13/107–108, 103, 119; D3/201, 218, D3/247, 249, 269, 273, 301, 303  
CPC . H04B 1/3888; A45C 13/02; A45C 2011/002; A45C 1/06; A45C 11/00; A45F 2005/026; A45F 2200/0525; A45F 2200/0516; H04M 1/0283; H04M 1/0202  
See application file for complete search history.

D501,850 S *	2/2005	Yoshino	.....	D14/248
7,099,710 B1 *	8/2006	Faillance	.....	A45F 5/00 455/575.1
7,194,291 B2 *	3/2007	Peng	.....	H04B 1/3888 455/575.8
D551,854 S *	10/2007	Collins	.....	D3/218
7,343,184 B2 *	3/2008	Rostami	.....	A45C 11/00 224/666
D610,579 S *	2/2010	Behar	.....	D14/250
D613,282 S *	4/2010	Richardson	.....	D14/250
D620,931 S *	8/2010	Opman	.....	D14/250
D692,873 S *	11/2013	Daniel	.....	D14/250
D696,237 S *	12/2013	Murchison	.....	D14/250
D707,217 S *	6/2014	Toulotte	.....	D14/250
D709,487 S *	7/2014	Kang	.....	D14/250
2004/0173482 A1 *	9/2004	Nieves	.....	A45C 11/00 206/320
2006/0160586 A1 *	7/2006	Cheng	.....	H04M 1/0283 455/575.8
2007/0201689 A1 *	8/2007	Uramoto	.....	A45C 11/00 379/451
2012/0100327 A1 *	4/2012	Hegemier	.....	H04M 1/0283 428/41.8
2018/0139857 A1 *	5/2018	Cavenagh	.....	G06F 1/1647

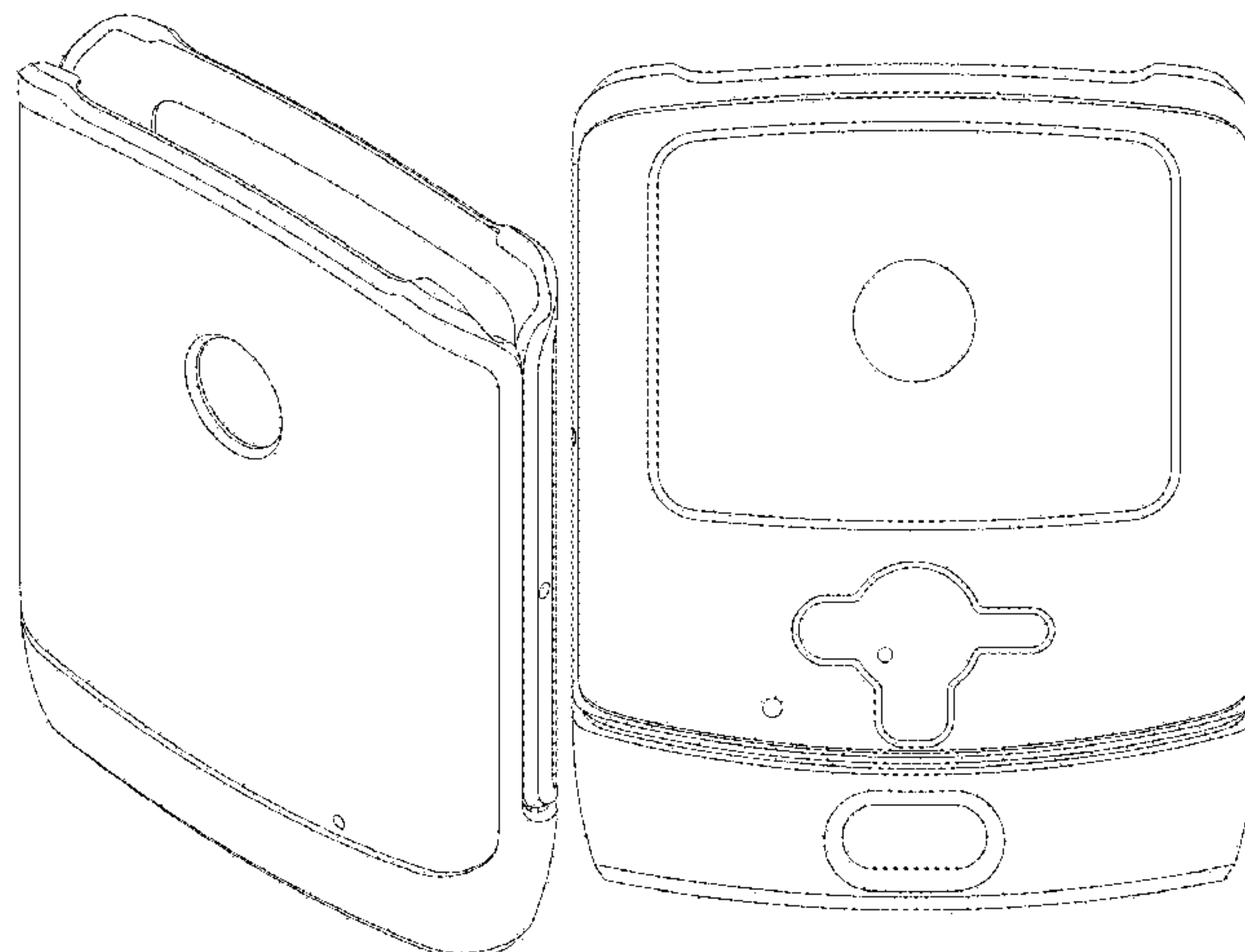
OTHER PUBLICATIONS

- “Spigen Ultra Hybrid 360 Galaxy Note 9 Case with 360 Full Body Coverage Protection with Tempered Glass Screen Protector for Samsung Galaxy Note 9(2018)—Matte Black”, <https://www.amazon.com/dp/B07FN8NB6N>, Earliest review date of Aug. 23, 2018, Downloaded on Jan. 8, 2019.
- “Spigen Ultra Hybrid S Galaxy Note 9 Case with Air Cushion Technology and Magnetic Metal Kickstand for Galaxy Note 9 (2018)—Midnight Black”, <https://www.amazon.com/dp/B07FN5MVF1/>, Earliest review date of Aug. 23, 2018, Downloaded on Jan. 8, 2019.
- “Spigen Ultra Hybrid Designed for Apple iPhone Xs MAX Case (2018)—Rose Crystal”, <https://www.amazon.com/dp/B07GTDGC4M/>, Earliest review date of Sep. 15, 2018, Downloaded on Jan. 8, 2019.
- “Spigen Ultra Hybrid 360 Designed for iPhone Xs Case (2018) / Designed for Apple iPhone X Case (2017) Tempered Glass Screen Protector Included—Matte Black”, <https://www.amazon.com/dp/B07GTDSQK8/>, Earliest review date of Sep. 9, 2018, Downloaded on Jan. 8, 2019.
- “Spigen Ultra Hybrid Designed for Apple iPhone XR Case (2018)—Crystal Clear”, <https://www.amazon.com/dp/B07GHMQDCJ/>, Earliest review date of Oct. 6, 2018, Downloaded on Jan. 8, 2019.

(56) **References Cited**

U.S. PATENT DOCUMENTS

D369,903 S *	5/1996	Tetrault	.....	D3/218
D395,749 S *	7/1998	Jayez	.....	D3/218
D420,218 S *	2/2000	Chen	.....	D3/218
6,075,977 A *	6/2000	Bayrami	.....	A61N 1/16 343/841
6,081,595 A *	6/2000	Picaud	.....	H04B 1/3888 379/446
D448,368 S *	9/2001	Bettag	.....	D14/250
D459,346 S *	6/2002	Powell	.....	D14/250
6,772,879 B1 *	8/2004	Domotor	.....	A45C 11/00 206/320
6,785,566 B1 *	8/2004	Irizarry	.....	H04B 1/3888 455/575.1





“Spigen Ultra Hybrid Designed for Apple iPhone XR Case (2018)—Matte Black”, <https://www.amazon.com/dp/B07GHQX532/>, Earliest review date of Oct. 6, 2018, Downloaded on Jan. 8, 2019.

“Spigen Ultra Hybrid Galaxy J3 2018 Case, Galaxy J3 Eclipse 2, Galaxy J3 Orbit, Galaxy J3 Achieve with Air Cushion Technology and Clear Hybrid Drop Protection for Galaxy J7 (2018)—Crystal Clear”, <https://www.amazon.com/dp/B07DYM4SST>, Earliest review date of Oct. 7, 2018, Downloaded on Jan. 8, 2019.

“Spigen Ultra Hybrid 360 Designed for Apple iPhone XR Case (2018) Tempered Glass Screen Protector Included—Black”, <https://www.amazon.com/dp/B07GHJ2TRY>, Earliest review date of Oct. 16, 2018, Downloaded on Jan. 8, 2019.

“Spigen Ultra Hybrid S Designed for Google Pixel 3 XL Case (2018)—Crystal Clear”, <https://www.amazon.com/dp/B07H5RQP2M/>, Earliest review date of Oct. 17, 2018, Downloaded on Jan. 8, 2019.

“Spigen Ultra Hybrid S Designed for Google Pixel 3 Case (2018)—Crystal Clear”, <https://www.amazon.com/dp/B07H5VSGP5>, Earliest review date of Oct. 18, 2018, Downloaded on Jan. 8, 2019.

“Spigen Ultra Hybrid iPhone 5S / 5 Case with Air Cushion Technology and Hybrid Drop Protection for iPhone 5S / iPhone 5—Crystal Clear”, <https://www.amazon.com/dp/B00G3JCFNC>, Earliest review date of Sep. 10, 2013, Downloaded on Jan. 4, 2019.

“Spigen Ultra Hybrid Nexus 5 Case with Air Cushion Technology and Hybrid Drop Protection for Nexus 5—Black”, <https://www.amazon.com/dp/B00FJJ38HY>, Earliest review date of Nov. 1, 2013, Downloaded on Jan. 8, 2019.

“Spigen Ultra Hybrid iPhone 6 Case with Air Cushion Technology and Hybrid Drop Protection for iPhone 6S / iPhone 6—Crystal Clear”, <https://www.amazon.com/dp/B00JH88D1O>, Earliest review date of Jul. 10, 2014, Downloaded on Dec. 28, 2018.

“Spigen Ultra Hybrid Galaxy Note 4 Case with Air Cushion Technology and Hybrid Drop Protection for Samsung Galaxy Note 4 2014—Gunmetal”, <https://www.amazon.com/dp/B00MAWPXVW>, Earliest review date of Oct. 15, 2014, Downloaded on Aug. 8, 2018.

“Spigen Ultra Hybrid Galaxy Note 4 Case with Air Cushion Technology and Hybrid Drop Protection for Samsung Galaxy Note 4 2014—Crystal Clear”, <https://www.amazon.com/dp/B00MAWPVXM>, Earliest review date of Oct. 17, 2014, Downloaded on Aug. 8, 2018.

“Spigen Ultra Hybrid Galaxy S6 Case with Air Cushion Technology and Hybrid Drop Protection for Galaxy S6 2015—Crystal Clear”, <https://www.amazon.com/dp/B00QIU4PN84>, Earliest review date of Feb. 6, 2015, Downloaded on Aug. 8, 2018.

“Spigen Ultra Hybrid Galaxy S6 Edge Case with Air Cushion Technology and Hybrid Drop Protection for Galaxy S6 Edge 2015—Metal Slate”, <https://www.amazon.com/dp/B00SV63NNG>, Earliest review date of Mar. 30, 2015, Downloaded on Aug. 8, 2018.

“Spigen Ultra Hybrid Galaxy S6 Edge Plus Case with Air Cushion Technology and Hybrid Drop Protection for Galaxy S6 Edge Plus 2015—Mint”, <https://www.amazon.com/dp/B010MWFRFI>, Earliest review date of Aug. 18, 2015, Downloaded on Aug. 8, 2018.

“Spigen Ultra Hybrid iPhone 6S Case with Air Cushion Technology and Hybrid Drop Protection for iPhone 6S / iPhone 6—Crystal Clear”, <https://www.amazon.com/dp/B010MVJNTK>, Earliest review date of Aug. 31, 2015, Downloaded on Dec. 28, 2018.

“iPhone 6s Plus Case, Spigen [Ultra Hybrid] Air Cushion [Crystal Clear] Clear back panel + TPU bumper for iPhone 6 Plus (2014) / 6s Plus (2015)—Crystal Clear (SGP11644)”, <https://www.amazon.com/dp/B010MVRC20>, Earliest review date of Sep. 15, 2015, Downloaded on Jan. 4, 2019.

“Spigen Ultra Hybrid Nexus 5X Case with Air Cushion Technology and Hybrid Drop Protection for Nexus 5X—Crystal Clear”, <https://www.amazon.com/dp/B0147JXWG8>, Earliest review date of Sep. 24, 2015, Downloaded on Jan. 8, 2019.

“Spigen Ultra Hybrid Tech iPhone 6S Plus Case with Bumper Protection for iPhone 6S Plus 2015—Crystal White”, <https://www.amazon.com/dp/B013TKNIOC>, Earliest review date of Oct. 26, 2015, Downloaded on Jan. 4, 2019.

“Spigen Ultra Hybrid Galaxy S7 Edge Case with Air Cushion Technology and Hybrid Drop Protection for Samsung Galaxy S7 Edge 2016—Rose Crystal”, <https://www.amazon.com/dp/B01AUR0Z1G>, Earliest review date of Feb. 24, 2016, Downloaded on Aug. 8, 2018.

“Spigen Ultra Hybrid Galaxy S7 Case with Air Cushion Technology and Hybrid Drop Protection for Samsung Galaxy S7 2016—Crystal Clear”, <https://www.amazon.com/dp/B01A7ID0AG>, Earliest review date of Feb. 29, 2016, Downloaded on Aug. 8, 2018.

“Spigen Ultra Hybrid iPhone SE Case with Air Cushion Technology and Hybrid Drop Protection for iPhone SE 2016—Crystal Clear”, <https://www.amazon.com/dp/B01BEDO0OS>, Earliest review date of Apr. 15, 2016, Downloaded on Jan. 4, 2019.

“Spigen Ultra Hybrid Galaxy A5 Case with Air Cushion Technology and Hybrid Drop Protection for Galaxy A5—Crystal Clear”, <https://www.amazon.com/dp/B018J07DOI>, Earliest review date of May 23, 2016, Downloaded on Aug. 8, 2018.

“Spigen Ultra Hybrid iPhone 7 Case with Air Cushion Technology and Hybrid Drop Protection for iPhone 7 2016—Black”, <https://www.amazon.com/dp/B01GIVXBVY>, Earliest review date of Sep. 1, 2016, Downloaded on Jan. 8, 2019.

“Spigen Ultra Hybrid iPhone 7 Plus Case with Air Cushion Technology and Hybrid Drop Protection for Apple iPhone 7 Plus 2016—Crystal Clear”, <https://www.amazon.com/dp/B01GIWGFMU>, Earliest review date of Sep. 6, 2016, Downloaded on Jan. 8, 2019.

“Spigen Ultra Hybrid S iPhone Seven Plus Case with Air Cushion Technology and Magnetic Metal Kickstand for Apple iPhone Seven Plus Two Thousand and Sixteen Clear Black”, <https://www.amazon.com/dp/B01LRSF986>, Earliest review date of Sep. 7, 2016, Downloaded on Jan. 8, 2019.

“Spigen Ultra Hybrid S iPhone 7 Case with Air Cushion Technology and Magnetic Metal Kickstand for iPhone 7 2016—Crystal Clear”, <https://www.amazon.com/dp/B01J9DVBWE>, Earliest review date of Sep. 13, 2016, Downloaded on Jan. 8, 2019.

“Spigen Ultra Hybrid Google Pixel XL Case with Air Cushion Technology and Hybrid Drop Protection for Google Pixel XL 2016—Crystal Clear”, <https://www.amazon.com/dp/B01M12Z4VQ>, Earliest review date of Oct. 21, 2016, Downloaded on Jan. 8, 2019.

“Spigen Ultra Hybrid [2nd Generation] iPhone 8 Plus Case/iPhone 7 Plus Case with Clear Protection and Air Cushion Technology for iPhone 8 Plus (2017) / iPhone 7 Plus (2016)—Crystal Clear”, <https://www.amazon.com/dp/B01MXKNPQ5>, Earliest review date of Jan. 9, 2017, Downloaded on Jan. 8, 2019.

“Spigen Ultra Hybrid [2nd Generation] iPhone 7 Case/iPhone 8 Case with Air Cushion Technology for Apple iPhone 7 (2016) / iPhone 8 (2017)—Crystal Clear”, <https://www.amazon.com/dp/B01M0USRWG>, Earliest review date of Jan. 17, 2017, Downloaded on Jan. 8, 2019.

“Spigen Ultra Hybrid Galaxy A5 2017 Case with Air Cushion Technology and Hybrid Drop Protection for Samsung Galaxy A5 (2017)—Crystal Clear”, <https://www.amazon.com/dp/B01NCJOZ1C>, Earliest review date of Mar. 2, 2017, Downloaded on Jan. 8, 2019.

“Spigen Ultra Hybrid Galaxy S8 Plus Case with Air Cushion Technology and Hybrid Drop Protection for Galaxy S8 Plus (2017)—Crystal Clear”, <https://www.amazon.com/dp/B06XP7S564>, Earliest review date of Apr. 4, 2017, Downloaded on Aug. 8, 2018.

“Spigen Ultra Hybrid Galaxy S8 Case with Air Cushion Technology and Hybrid Drop Protection for Samsung Galaxy S8 (2017)—Crystal Clear”, <https://www.amazon.com/dp/B06XP5YQNN>, Earliest review date of Apr. 7, 2017, Downloaded on Jul. 30, 2018.

“Spigen Ultra Hybrid S Galaxy S8 Plus Case with Air Cushion Technology and Magnetic Metal Kickstand for Galaxy S8 Plus (2017)—Crystal Clear”, <https://www.amazon.com/dp/B06XNSZJ31>, Earliest review date of Apr. 9, 2017, Downloaded on Aug. 8, 2018.

“Spigen Ultra Hybrid Galaxy A7 2017 Case with Air Cushion Technology and Hybrid Drop Protection for Samsung Galaxy A7 (2017)—Crystal Clear”, <https://www.amazon.com/dp/B01N9JD0MH>, Earliest review date of May 6, 2017, Downloaded on Aug. 8, 2018.

“Spigen Ultra Hybrid Sony Xperia XZ Premium Case with Air Cushion Technology and Hybrid Drop Protection for Sony Xperia XZ Premium (2017)—Crystal Clear”, <https://www.amazon.com/dp/B071VZ1176>, Earliest review date of Jul. 15, 2017, Downloaded on Jan. 8, 2019.

“Spigen Ultra Hybrid OnePlus 5 Case with Air Cushion Technology and Hybrid Drop Protection for OnePlus 5 (2017)—Crystal Clear”, <https://www.amazon.com/dp/B06XFSQFMW>, Earliest review date of Aug. 20, 2017, Downloaded on Jan. 8, 2019.



“Spigen Ultra Hybrid Galaxy Note 8 Case with Air Cushion Technology and Hybrid Drop Protection for Galaxy Note 8 (2017)—Midnight Black”, <https://www.amazon.com/dp/B073RWN5QP>, Earliest review date of Sep. 3, 2017, Downloaded on Aug. 8, 2018.

“Spigen Ultra Hybrid S Galaxy Note 8 Case with Air Cushion Technology and Magnetic Metal Kickstand for Galaxy Note 8 (2017)—Crystal Clear”, <https://www.amazon.com/dp/B073RWFZQH>, Earliest review date of Sep. 8, 2017, Downloaded on Jul. 30, 2018.

“Spigen Ultra Hybrid Designed for Apple iPhone Xs Case (2018) / Designed for Apple iPhone X Case (2017)—Crystal Clear”, <https://www.amazon.com/dp/B074CMMCZM>, Earliest review date of Sep. 13, 2017, Downloaded on Jan. 8, 2019.

“Spigen Ultra Hybrid S [2nd Generation] iPhone 8 Case/iPhone 7 Case with Air Cushion Technology and Magnetic Metal Kickstand for Apple iPhone 8 (2017)/iPhone 7 (2016)—Crystal Clear”, <https://www.amazon.com/dp/B07482GSK2>, Earliest review date of Sep. 13, 2017, Downloaded on Jan. 8, 2019.

“Spigen Ultra Hybrid S [2nd Generation] iPhone 8 Plus Case/iPhone 7 Plus Case with Air Cushion Technology and Kickstand for Apple iPhone 8 Plus (2017) / iPhone 7 Plus (2016)—Crystal Clear”, <https://www.amazon.com/dp/B074833H3M>, Earliest review date of Sep. 30, 2017, Downloaded on Jan. 8, 2019.

“Spigen Ultra Hybrid S Designed for Apple iPhone Xs Case (2018) / Designed for Apple iPhone X Case (2017)—Crystal Clear”, <https://www.amazon.com/dp/B074CMHVKY>, Earliest review date of Oct. 19, 2017, Downloaded on Jan. 8, 2019.

“Spigen Ultra Hybrid Sony Xperia XZ1 Case with Air Cushion Technology and Hybrid Drop Protection for Sony Xperia XZ1 (2017)—Crystal Clear”, <https://www.amazon.com/dp/B075DWY35G>, Earliest review date of Dec. 11, 2017, Downloaded on Jan. 8, 2019.

“Review: Griffin Reveal Case for iPhone 5”, <http://www.ilounge.com/index.php/reviews/entry/griffin-reveal-case-for-iphone-5/>, Earliest review date of Oct. 16, 2012, Downloaded on Feb. 6, 2019.

\* cited by examiner

*Primary Examiner* — Carla J Wright

(74) *Attorney, Agent, or Firm* — Heedong Chae; Lucem, PC

(57)

### CLAIM

The ornamental design for a case for electronic communications device, as shown and described.

### DESCRIPTION

FIG. 1 is a front, right-side, and top perspective view of a case for electronic communications device showing my new design;

FIG. 2 is a rear, left-side, and top perspective view thereof;

FIG. 3 is a front elevational view thereof;

FIG. 4 is a rear elevational view thereof;

FIG. 5 is a left side elevational view thereof;

FIG. 6 is a right side elevational view thereof;

FIG. 7 is a top plan view thereof;

FIG. 8 is a bottom plan view thereof;

FIG. 9 is a front, right-side, and top perspective view thereof in an environment of use;

FIG. 10 is a front, right-side, and top perspective view showing the front cover component of the case in isolation for clarity of disclosure;

FIG. 11 is a rear, left-side, and top perspective view showing the front cover component of the case in isolation for clarity of disclosure;

FIG. 12 is a front, right-side, and top perspective view showing the rear cover component of the case in isolation for clarity of disclosure;

FIG. 13 is a rear, left-side and top perspective view showing the rear cover component of the case in isolation for clarity of disclosure;

FIG. 14 is an exploded front, right-side, and top perspective view showing the front cover and rear cover components of the case separated for clarity of disclosure; and

FIG. 15 is an exploded rear, left-side, and top perspective view showing the front cover and rear cover components of the case separated for clarity of disclosure.

For clarity of disclosure, the components of the case for electronic communications device are shown in isolation in FIGS. 10-13 and separated in FIGS. 14-15. Although the case for electronic communications device, in which the claimed design is embodied, includes a front cover component and a rear cover component, the claim is directed to the overall ornamental appearance of the case in its entirety and does not extend to the ornamental appearance of each of the individual components in isolation.

The broken lines throughout the drawing figures depict environmental subject matter only that forms no part of the claimed design.

**1 Claim, 15 Drawing Sheets**

FIG. 1

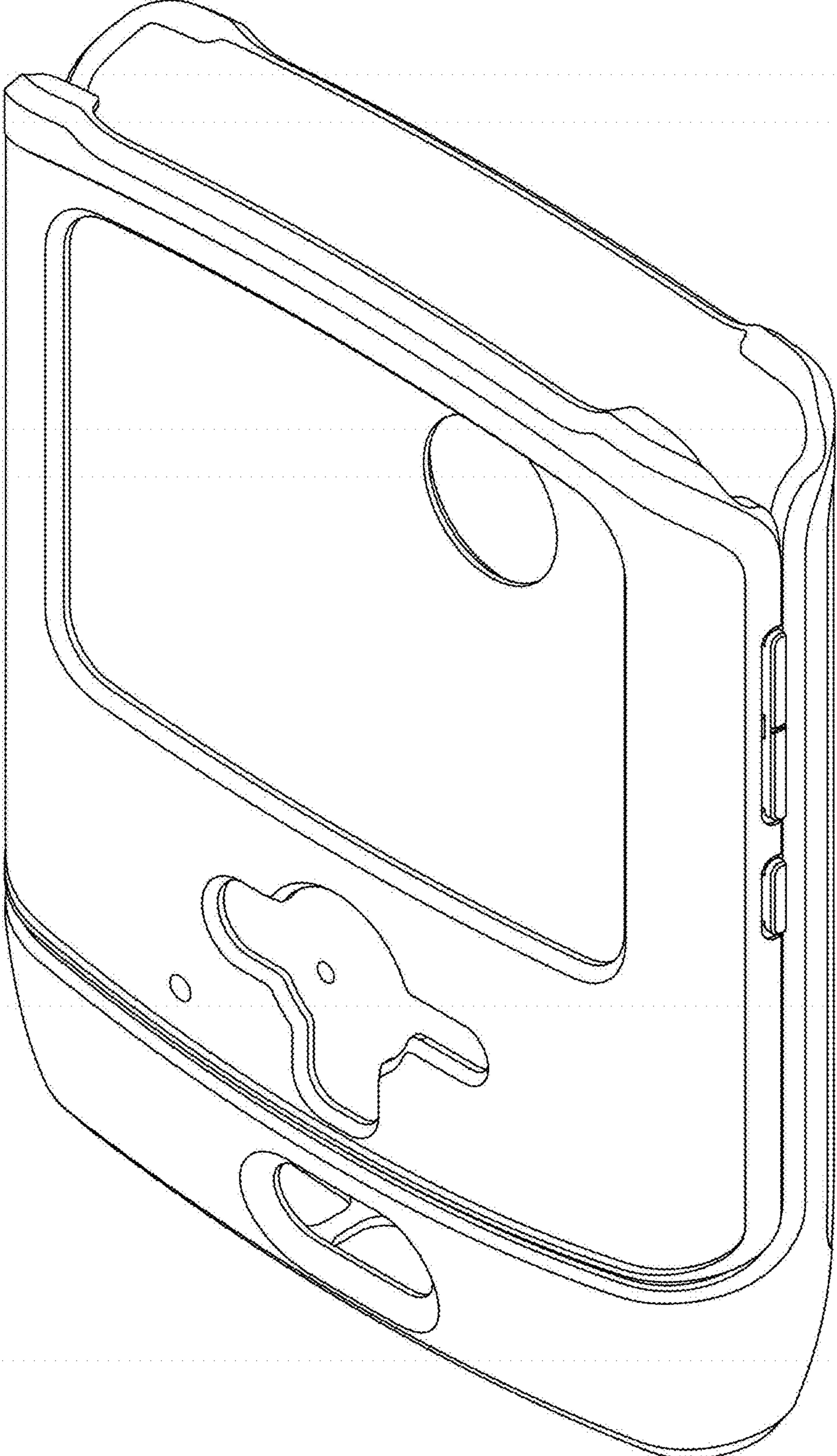


FIG. 2

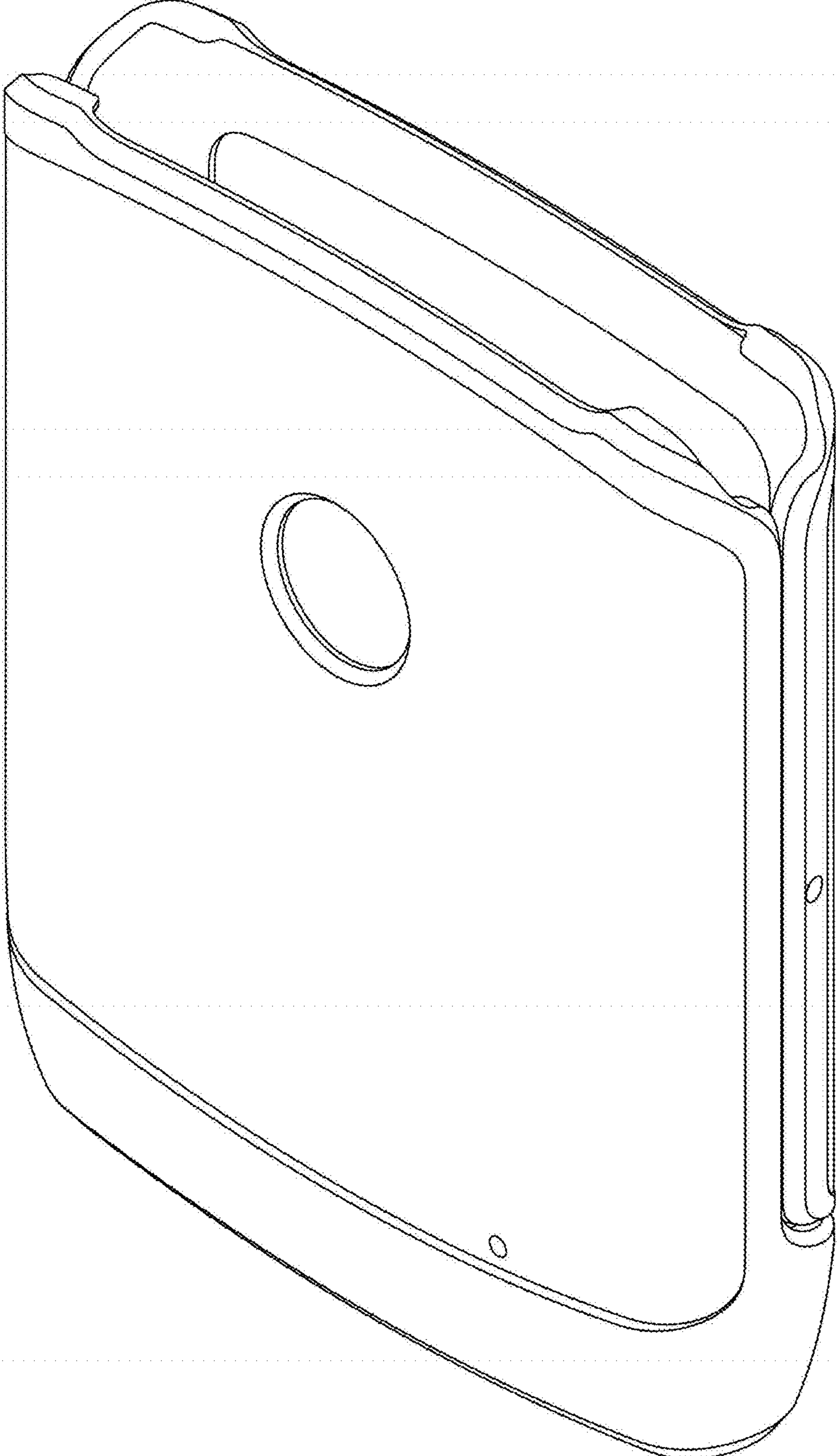




FIG. 3

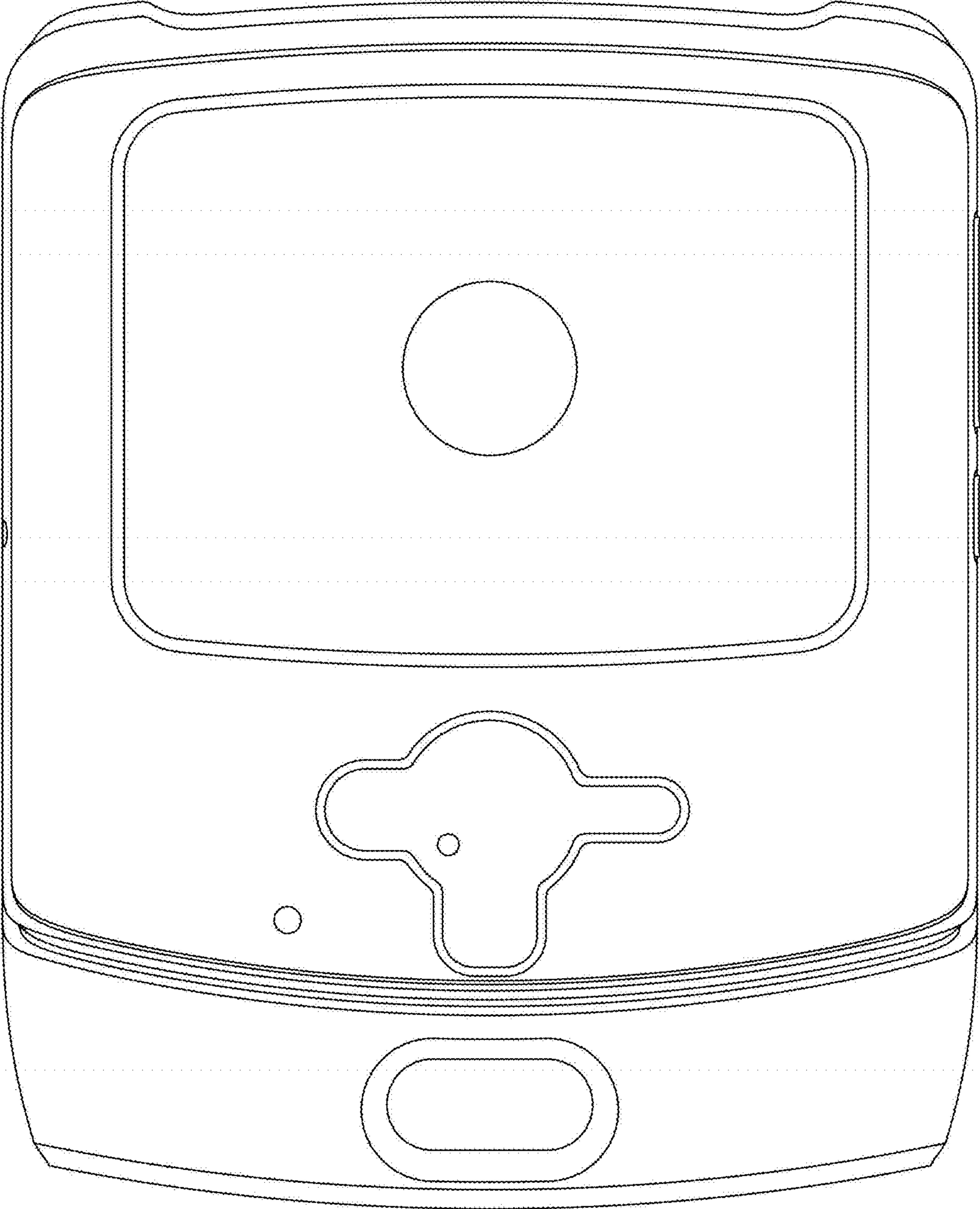


FIG. 4

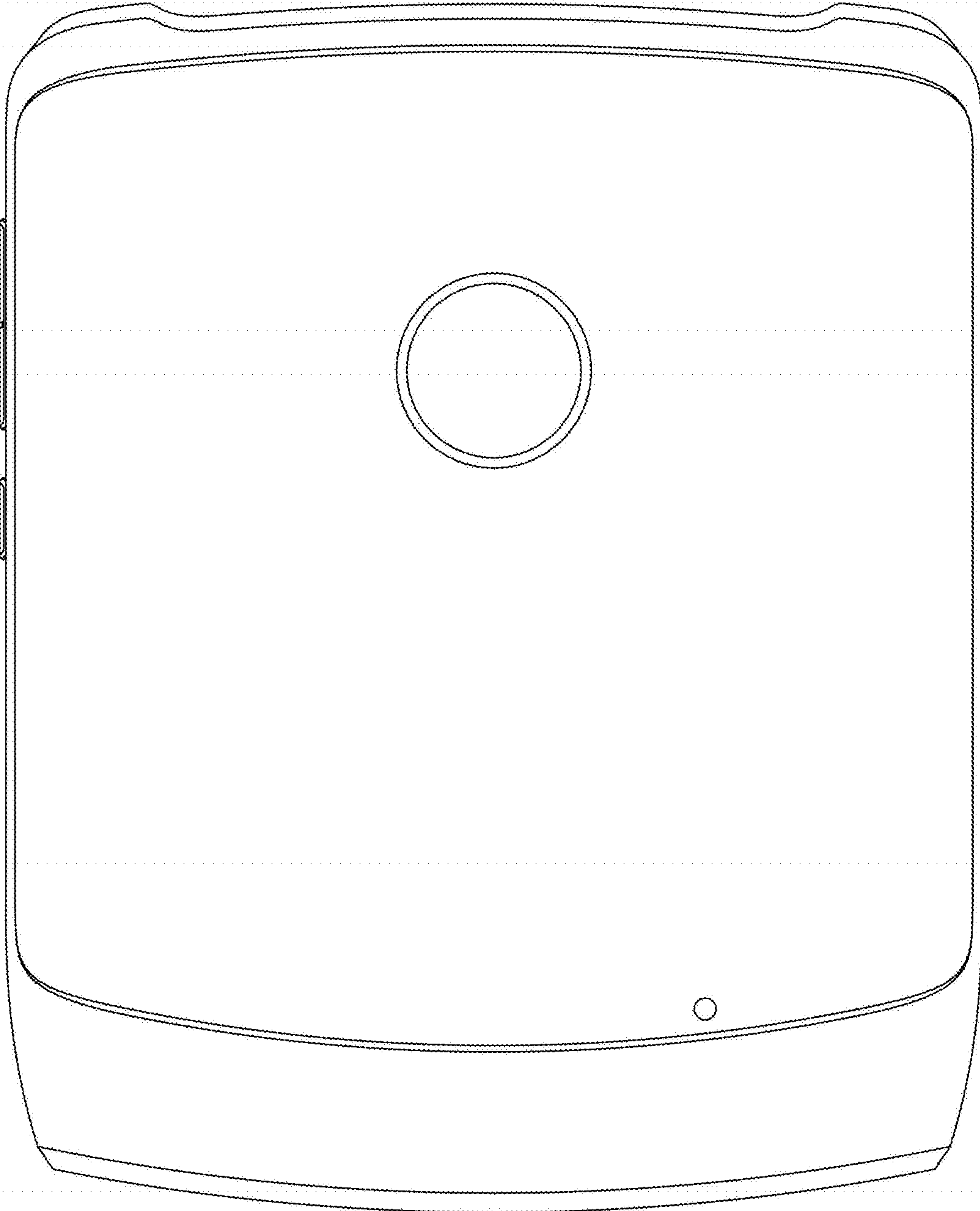


FIG. 5

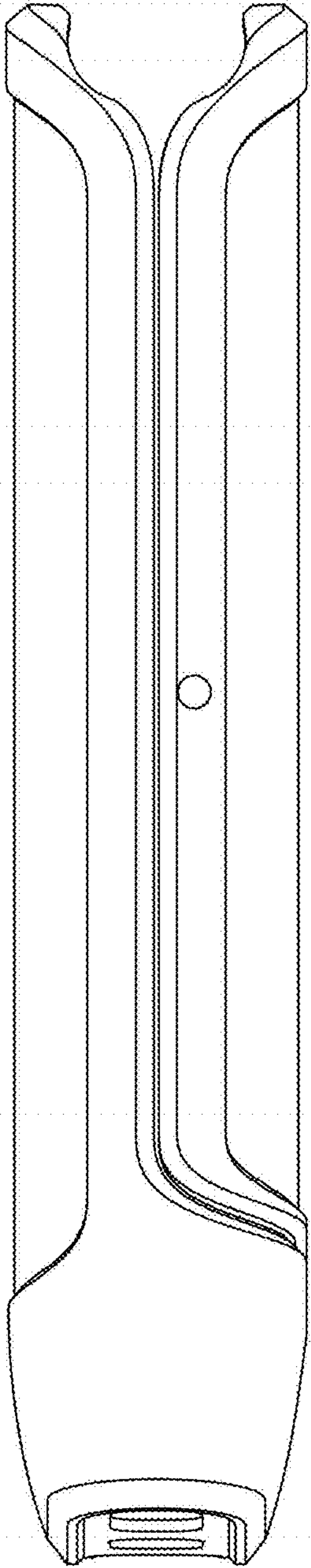




FIG. 6

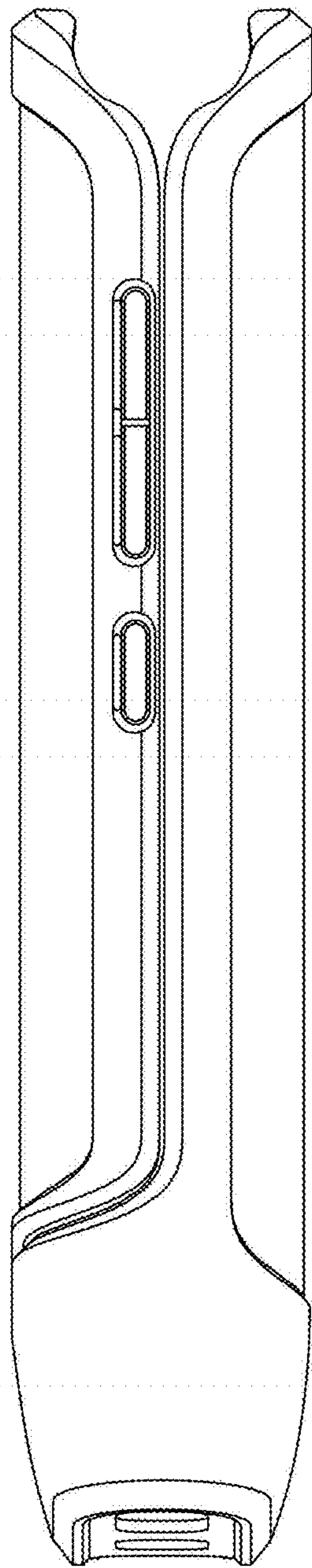


FIG. 7

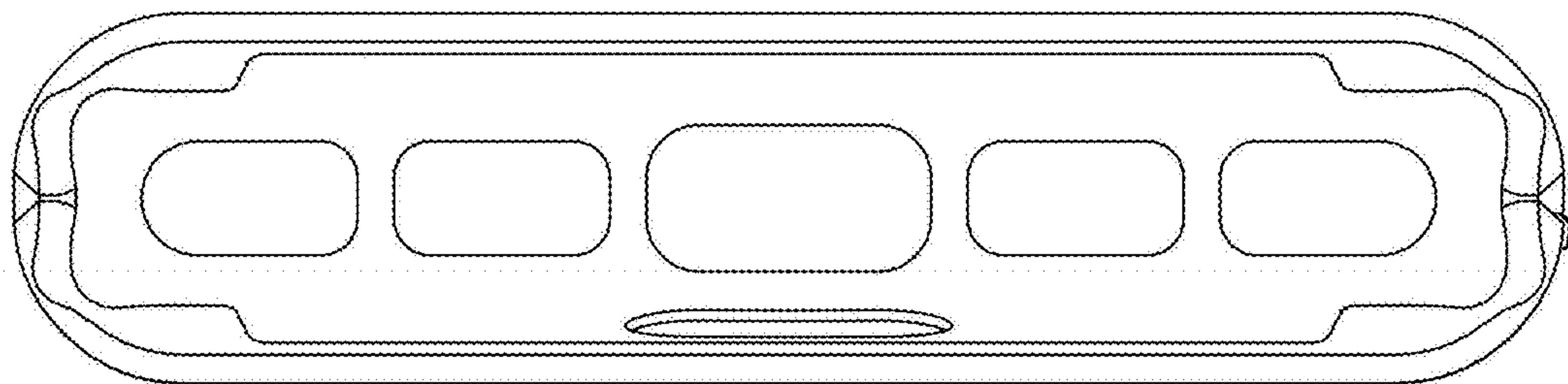




FIG. 8

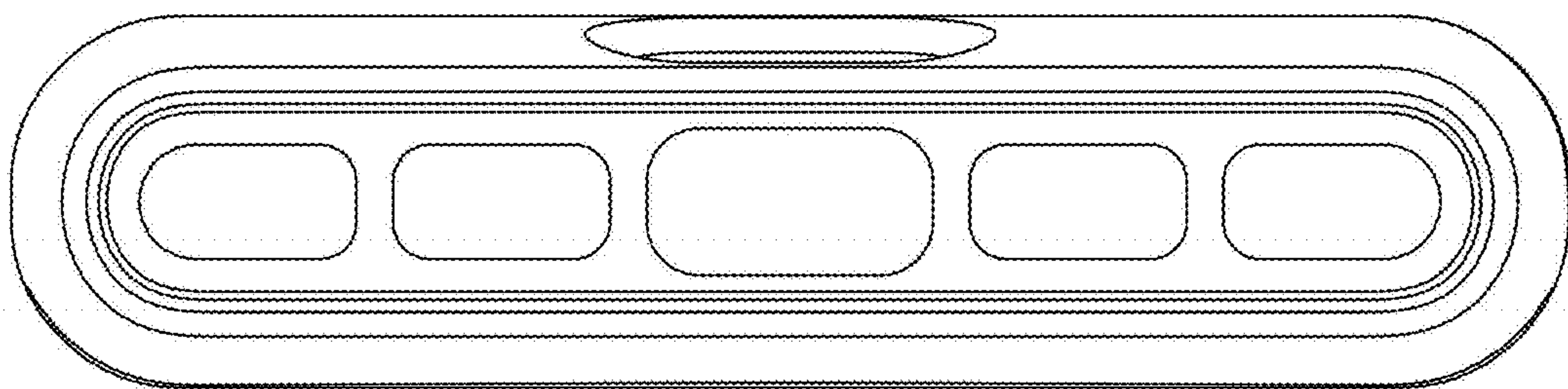


FIG. 9

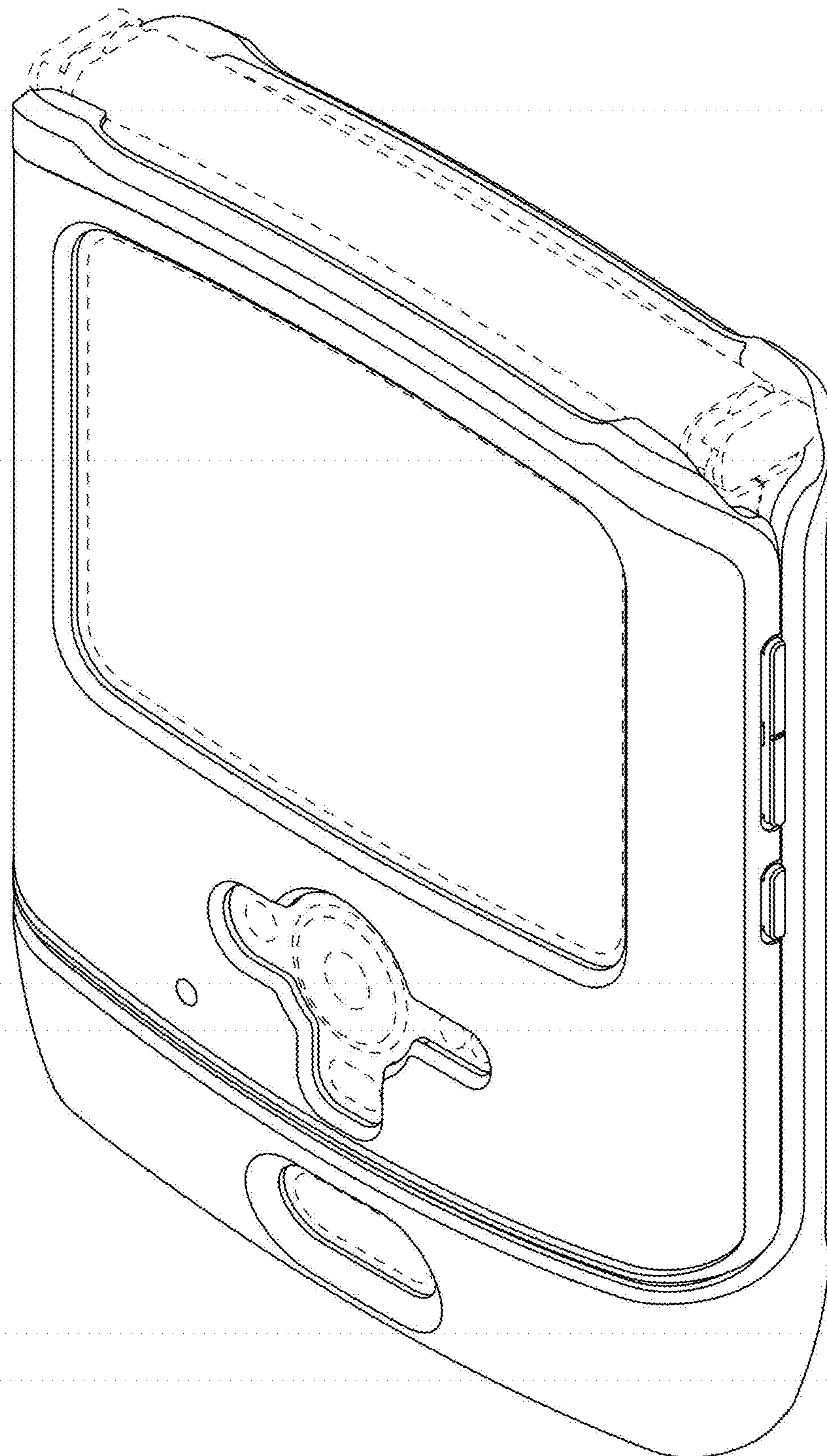




FIG. 10

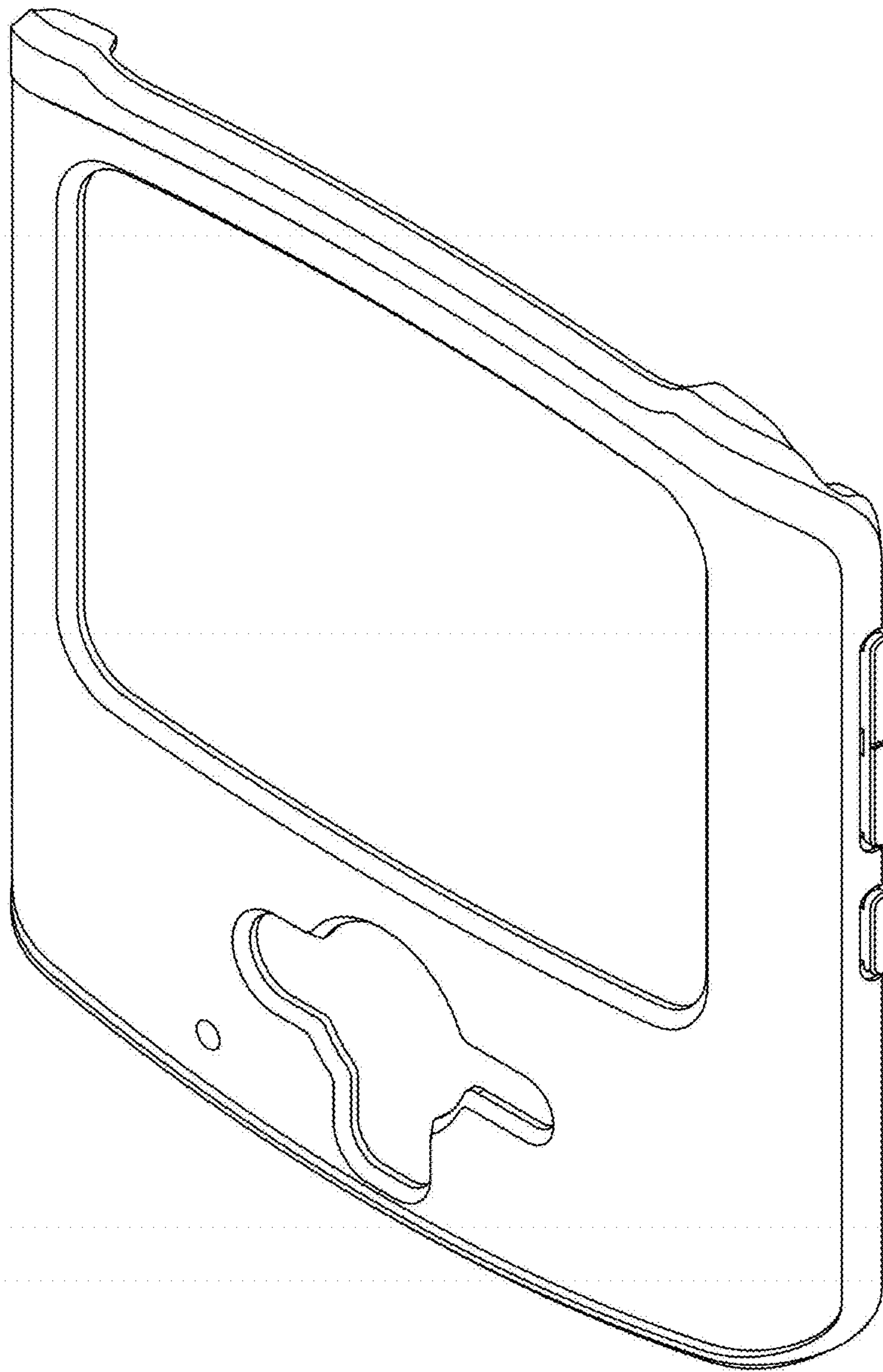


FIG. 11

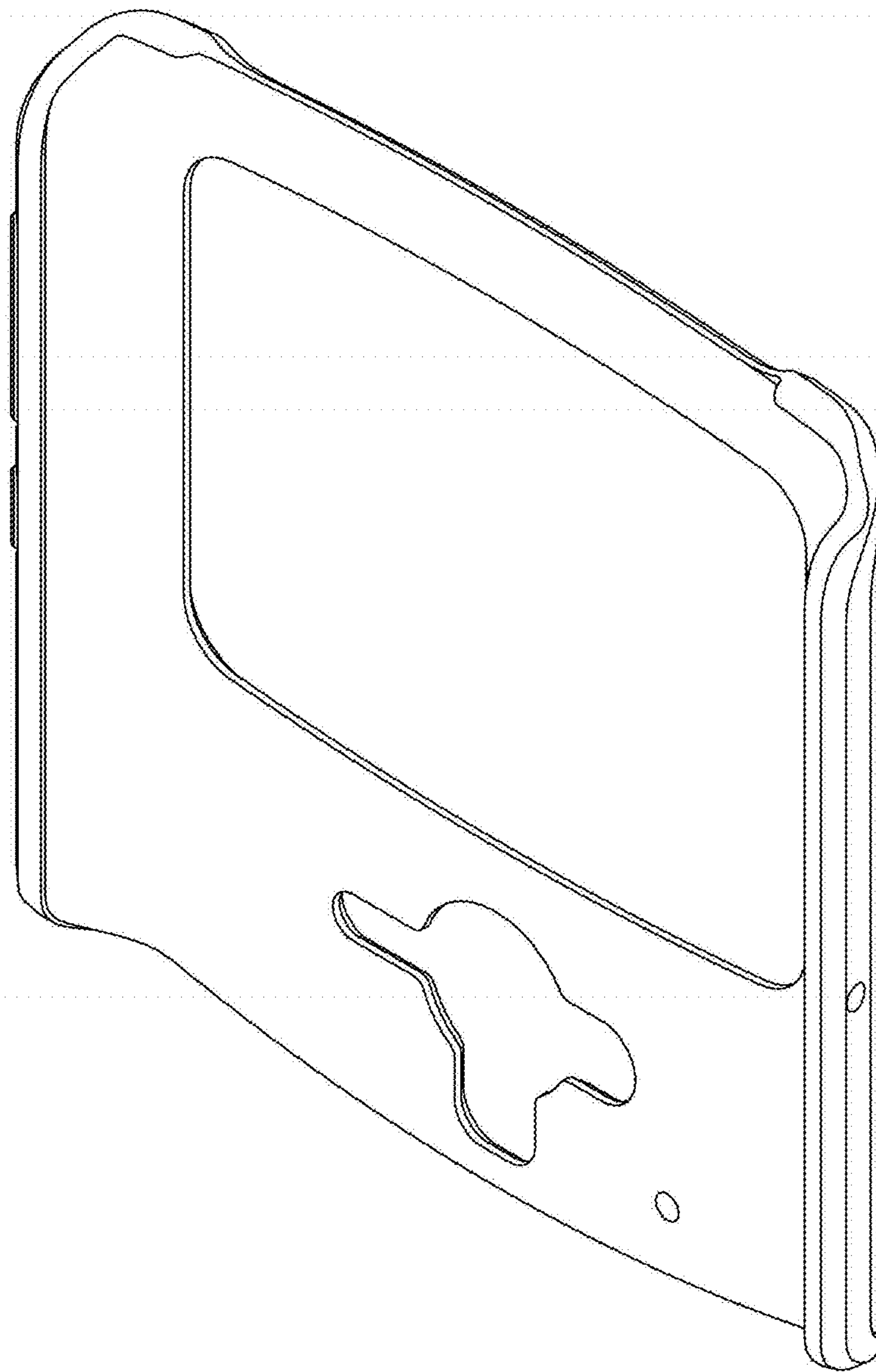




FIG. 12

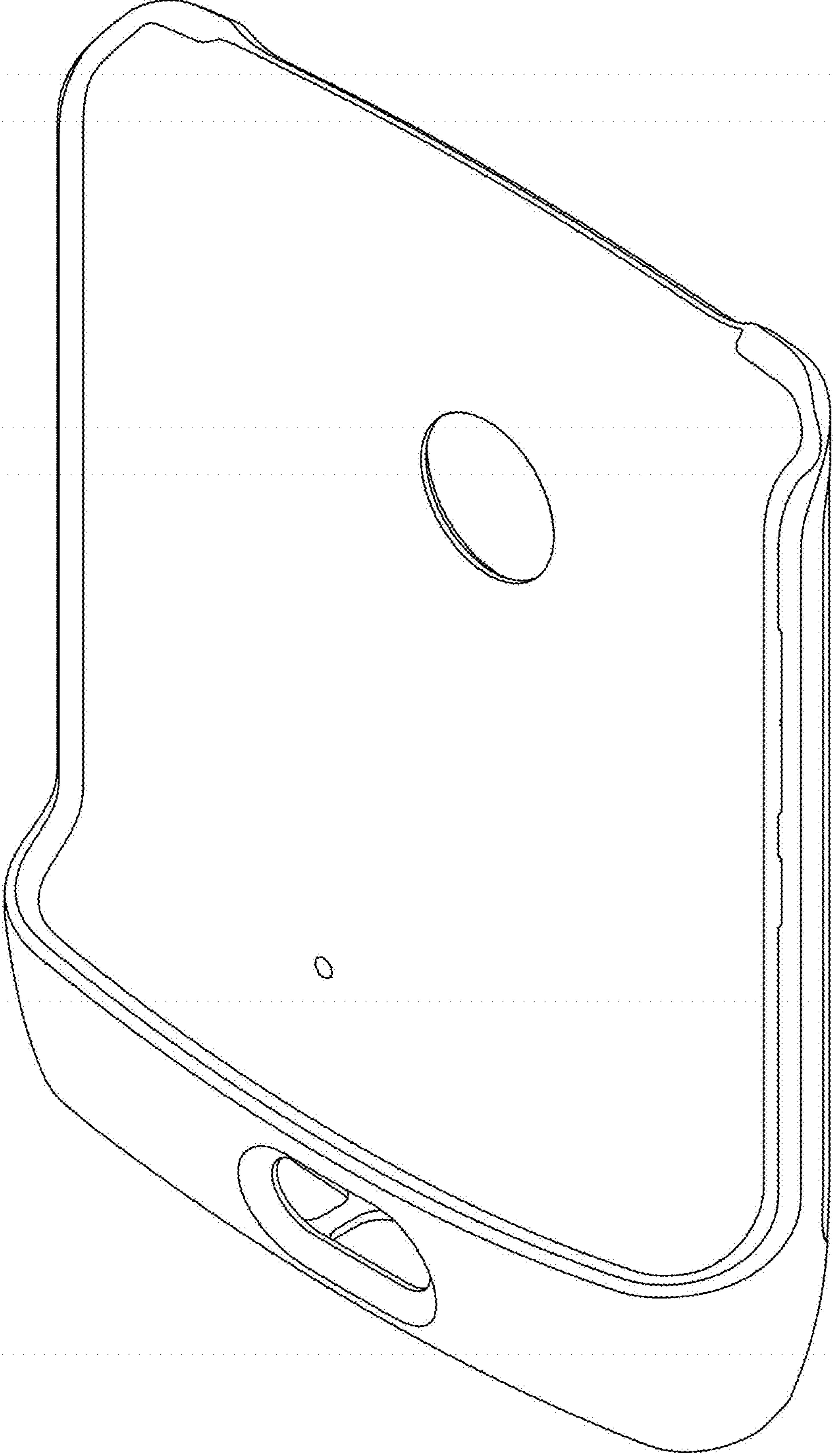


FIG. 13

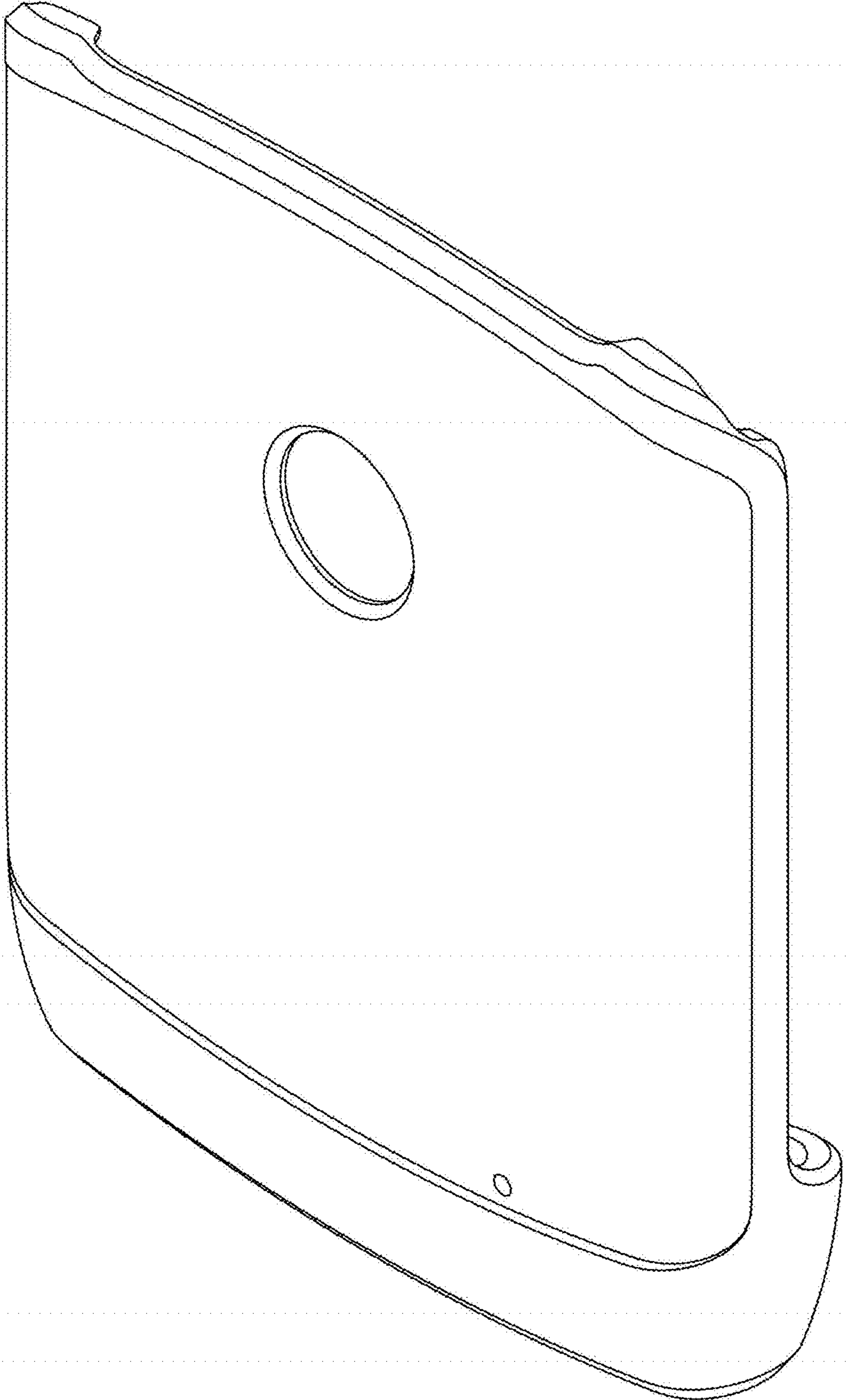




FIG. 14

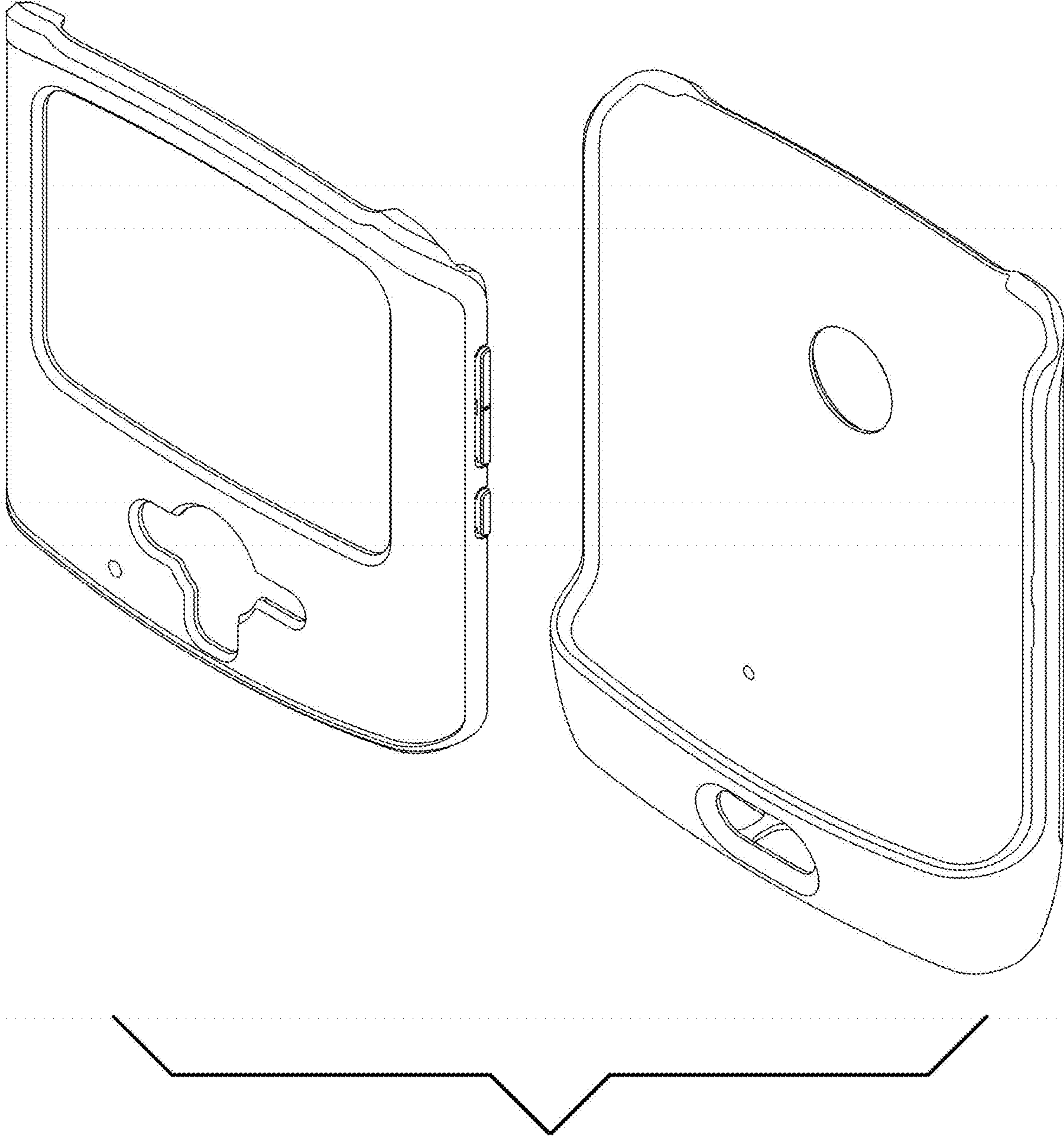


FIG. 15

