



US00D933050S

(12) **United States Design Patent**
Jia

(10) **Patent No.:** **US D933,050 S**

(45) **Date of Patent:** **** Oct. 12, 2021**

- (54) **WIRELESS MICROPHONE**
- (71) Applicant: **Shenzhen Jiayz Photo Industrial, Ltd.**, Shenzhen (CN)
- (72) Inventor: **Yingzhi Jia**, Shenzhen (CN)
- (73) Assignee: **SHENZHEN JIAYZ PHOTO INDUSTRIAL., LTD.**, Shenzhen (CN)

- D262,965 S * 2/1982 Iwata D14/192
- D264,080 S * 4/1982 Iwata D14/191
- D281,975 S * 12/1985 Oyamada D14/191
- D297,431 S * 8/1988 Beard D14/431
- D297,518 S * 9/1988 Yuen D10/106.1
- 4,828,153 A * 5/1989 Guzik A45F 5/02
224/242
- D304,191 S * 10/1989 Sekine D14/192
- D306,519 S * 3/1990 Nakata D3/206
- D379,809 S * 6/1997 Lindeman D14/137

(Continued)

- (**) Term: **15 Years**
- (21) Appl. No.: **29/715,260**
- (22) Filed: **Nov. 29, 2019**

FOREIGN PATENT DOCUMENTS

- CN 305275150 * 7/2019
- CN 305337023 * 9/2019

(Continued)

- (30) **Foreign Application Priority Data**
May 31, 2019 (CN) 201930280091.2

Primary Examiner — Paula Allen Greene
(74) *Attorney, Agent, or Firm* — Cantor Colburn LLP

- (51) **LOC (13) Cl.** **14-01**
- (52) **U.S. Cl.**
USPC **D14/225**; D14/240; D14/344
- (58) **Field of Classification Search**
USPC D14/225, 226, 227, 124, 138, 150, 155,
D14/154, 159, 240, 242, 188, 192, 191,
D14/496, 358, 344; D10/106.1;
D13/168; D6/582; D5/53, 1; 428/156,
428/160; 224/242, 269, 669, 247;
181/158; 455/351
CPC H04R 1/02; H04R 25/00; H04M 11/00;
H04M 1/00; A45F 5/00; A45F 5/02
See application file for complete search history.

(57) **CLAIM**

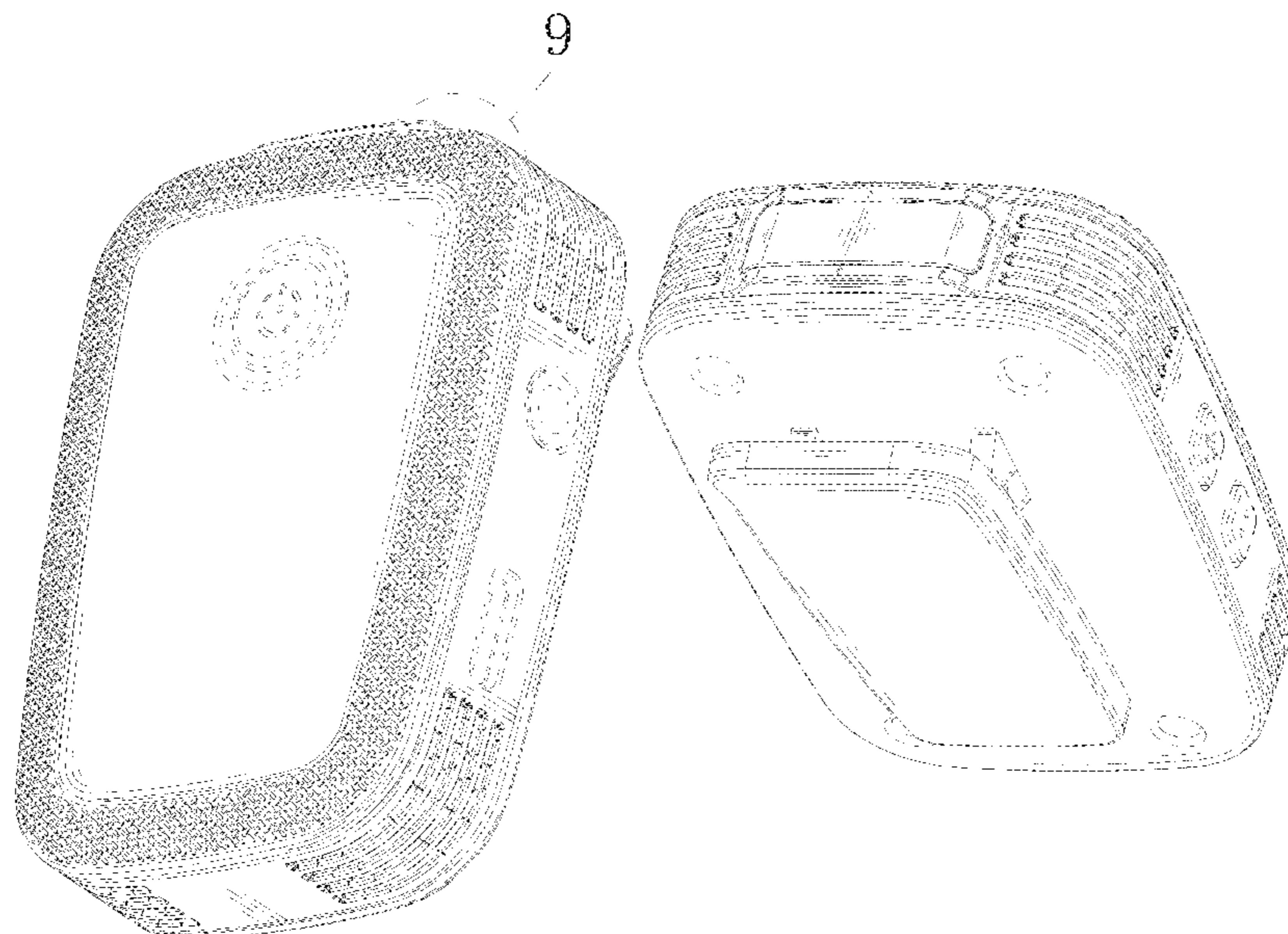
The ornamental design for a “wireless microphone,” as shown and described.

DESCRIPTION

FIG. 1 is a bottom, front, right side perspective view of a wireless microphone showing the new design;
 FIG. 2 is a top, rear, left side perspective view thereof;
 FIG. 3 is a front elevational view thereof;
 FIG. 4 is a rear elevational view thereof;
 FIG. 5 is a left side elevational view thereof;
 FIG. 6 is a right side elevational view thereof;
 FIG. 7 is a top plan view thereof;
 FIG. 8 is a bottom plan view thereof;
 FIG. 9 is a partial enlarged view indicated in FIG. 1;
 FIG. 10 is a partial enlarged view indicated in FIG. 6; and,
 FIG. 11 is a partial enlarged view indicated in FIG. 7.
 The broken lines in the figures depict portions of the wireless microphone that form no part of the claimed design.

1 Claim, 11 Drawing Sheets

- (56) **References Cited**
U.S. PATENT DOCUMENTS
3,631,994 A * 1/1972 Mackzum, Jr. A45F 5/02
224/669
D223,835 S * 6/1972 Schmidt D14/191
4,083,481 A * 4/1978 Selinko A45F 5/02
224/269



(56)

References Cited

U.S. PATENT DOCUMENTS

D394,261 S * 5/1998 Chan D14/154
 D396,860 S * 8/1998 Yasutomi D10/119.2
 D409,374 S * 5/1999 Laba D3/215
 5,950,897 A * 9/1999 Kao A45F 5/021
 224/666
 D429,371 S * 8/2000 Matoba D27/141
 D446,499 S * 8/2001 Andre D13/110
 D454,110 S * 3/2002 Andre D13/110
 D457,887 S * 5/2002 Kadonaga D13/182
 D496,030 S * 9/2004 Harbeke D14/225
 D539,814 S * 4/2007 Andre D14/203.3
 D541,784 S * 5/2007 Cho D14/138 AD
 D554,616 S * 11/2007 Pierce D14/191
 D558,742 S * 1/2008 Koller D14/225
 D568,877 S * 5/2008 Bodley D14/225
 D572,068 S * 7/2008 Lin D5/39
 D577,715 S * 9/2008 Lim D14/240
 D579,887 S * 11/2008 Yamane D14/127
 D580,854 S * 11/2008 Kim D13/108
 D581,943 S * 12/2008 Pedersen D14/150
 D583,806 S * 12/2008 Okazaki D14/225
 D586,740 S * 2/2009 Song D13/103
 D586,741 S * 2/2009 Song D13/103
 D590,826 S * 4/2009 Andre D14/341
 D592,677 S * 5/2009 Sheba D14/434
 D594,002 S * 6/2009 Kettula D14/240
 D601,490 S * 10/2009 Zhu D13/102
 D602,476 S * 10/2009 Lee D14/223
 D604,723 S * 11/2009 Bodley D14/225
 D608,767 S * 1/2010 Liner D14/225
 D615,556 S * 5/2010 Yeo D14/496
 D616,873 S * 6/2010 Olivier D14/223
 D616,899 S * 6/2010 Andre D14/496
 D618,019 S * 6/2010 Gaska D6/703.3
 D618,676 S * 6/2010 Hui D14/300

D622,213 S * 8/2010 Nomi D13/103
 D626,552 S * 11/2010 Andre D14/341
 D626,770 S * 11/2010 Sloas D6/515
 D648,710 S * 11/2011 Ha D14/223
 D649,139 S * 11/2011 Waay D14/225
 D671,020 S * 11/2012 Collins D10/70
 D678,332 S * 3/2013 Lee D14/496
 D705,751 S * 5/2014 Wenger D14/206
 D719,976 S * 12/2014 Bang D14/496
 D729,409 S * 5/2015 Friedli D25/48.6
 9,041,661 B2 * 5/2015 Renwick G06F 1/1626
 345/173
 D736,188 S * 8/2015 Cavero D14/225
 D746,267 S * 12/2015 Birger D14/223
 D750,563 S * 3/2016 Hedderich D13/137.1
 D786,106 S * 5/2017 Yau D10/70
 D815,070 S * 4/2018 Elmieh D14/225
 D835,591 S * 12/2018 Shim D13/184
 D843,132 S * 3/2019 Pienimaa D6/582
 D848,984 S * 5/2019 Ohashi D14/225
 D850,444 S * 6/2019 Mullins D14/344
 D875,036 S * 2/2020 Gan D13/103
 D892,097 S * 8/2020 Bell D14/240
 D894,161 S * 8/2020 Ye D14/225
 D900,795 S * 11/2020 Laffon de Mazieres D14/240
 D917,431 S * 4/2021 Gao D14/225
 2005/0019531 A1 * 1/2005 Bazbaz B65D 19/44
 428/156
 2005/0106361 A1 * 5/2005 Clark A47G 27/0206
 428/192

FOREIGN PATENT DOCUMENTS

CN 306432027 * 4/2021
 EM 008434260-0002 * 2/2021
 JP D1682907 * 3/2021

* cited by examiner

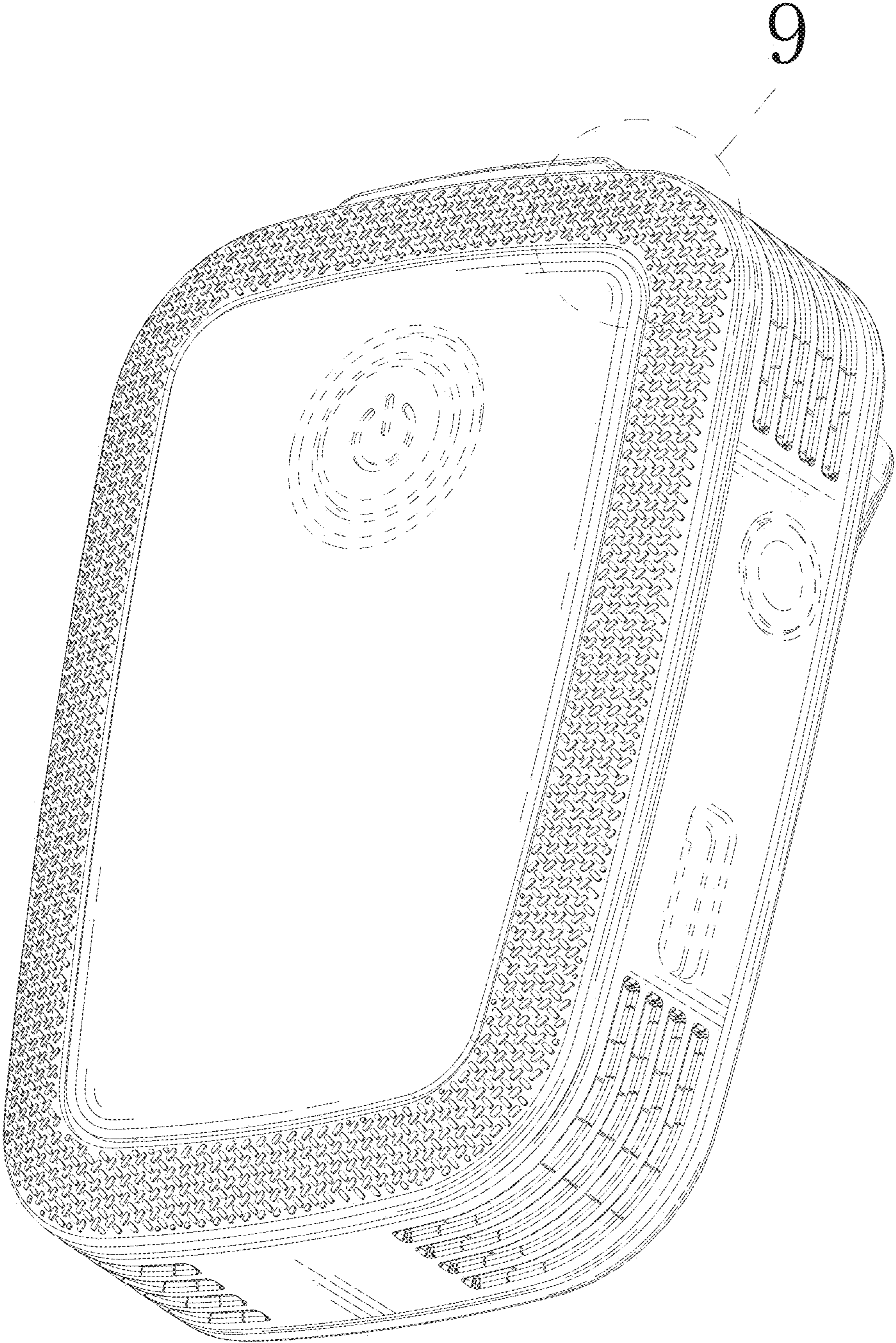


FIG. 1

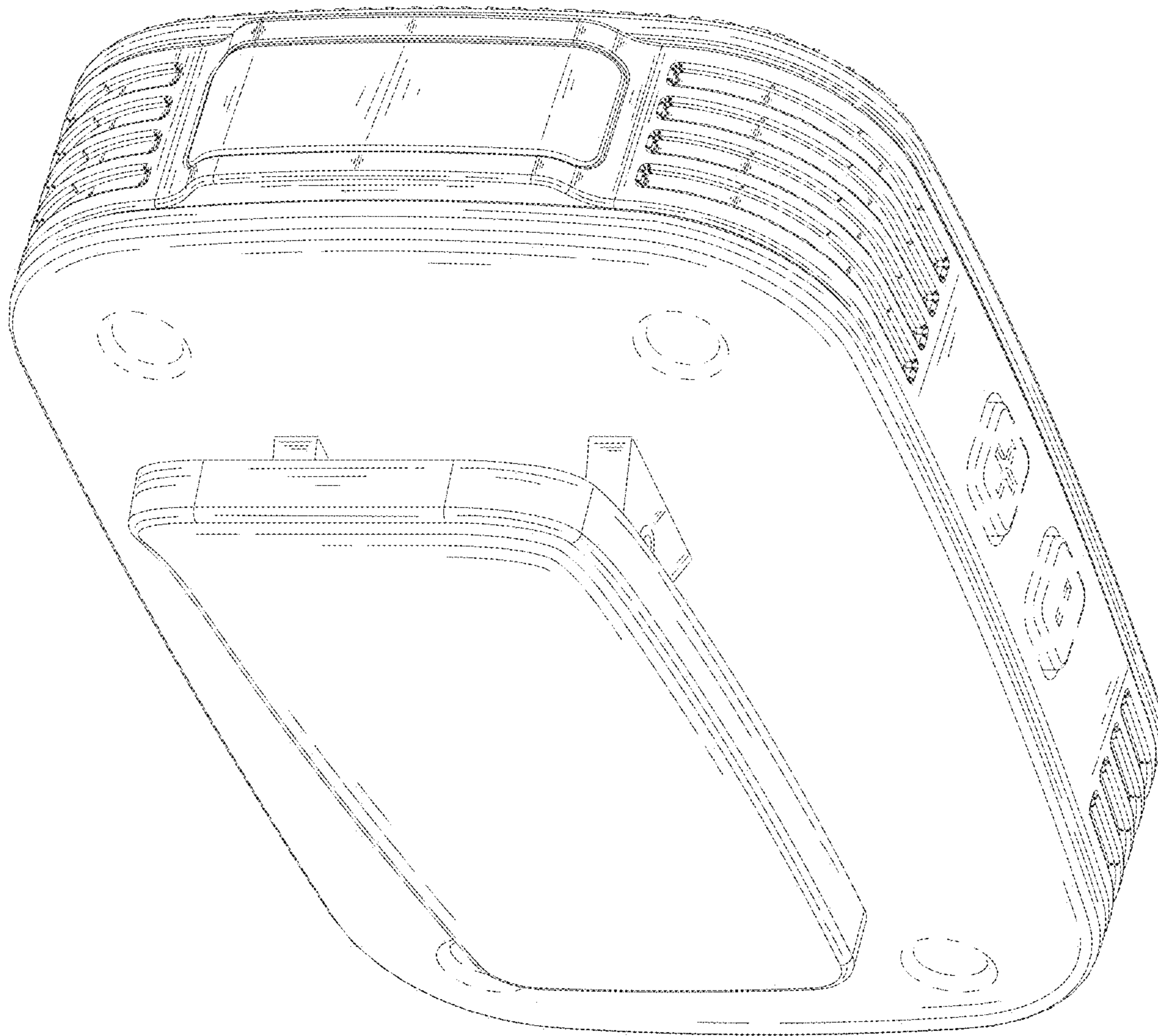


FIG. 2

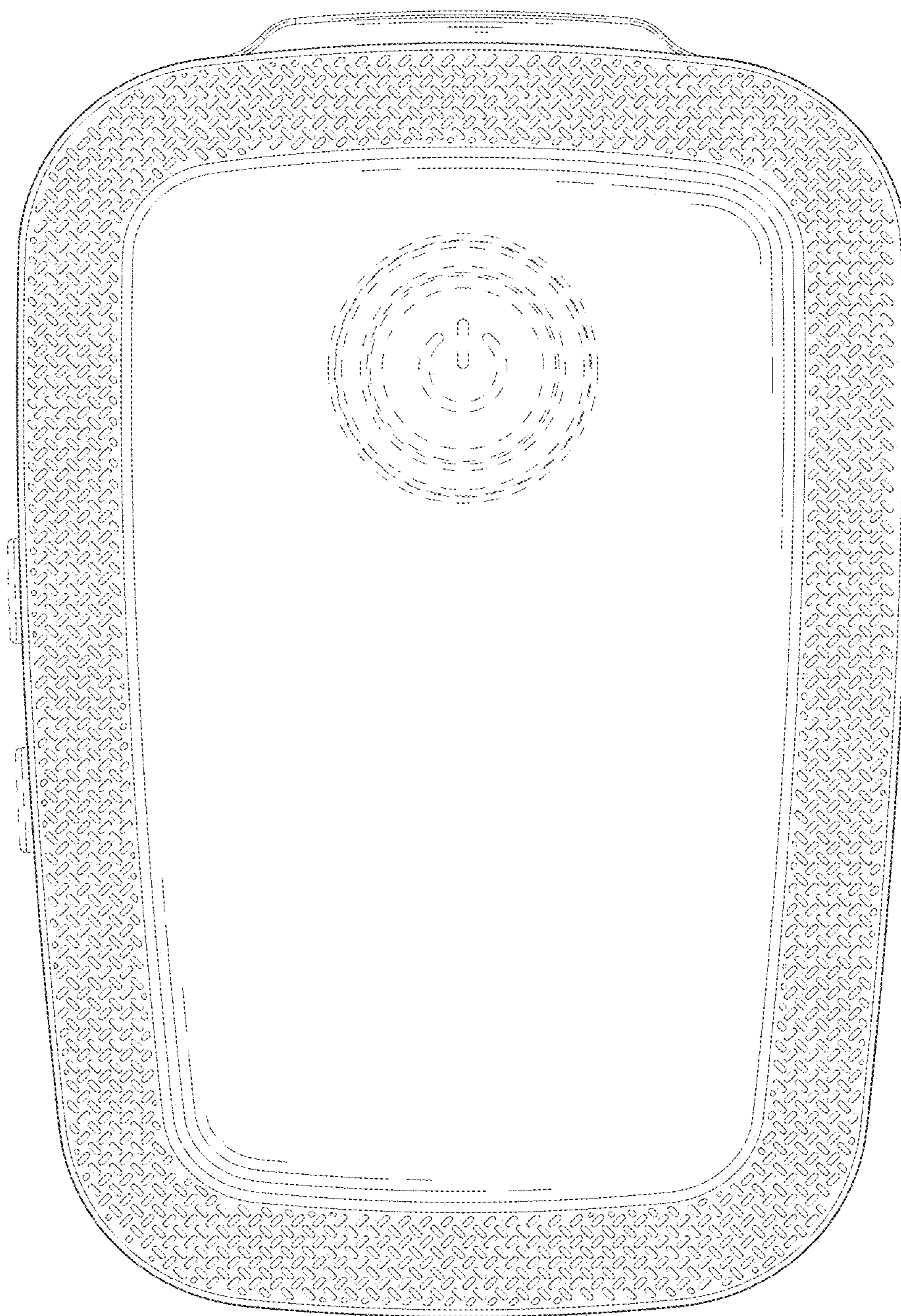


FIG. 3

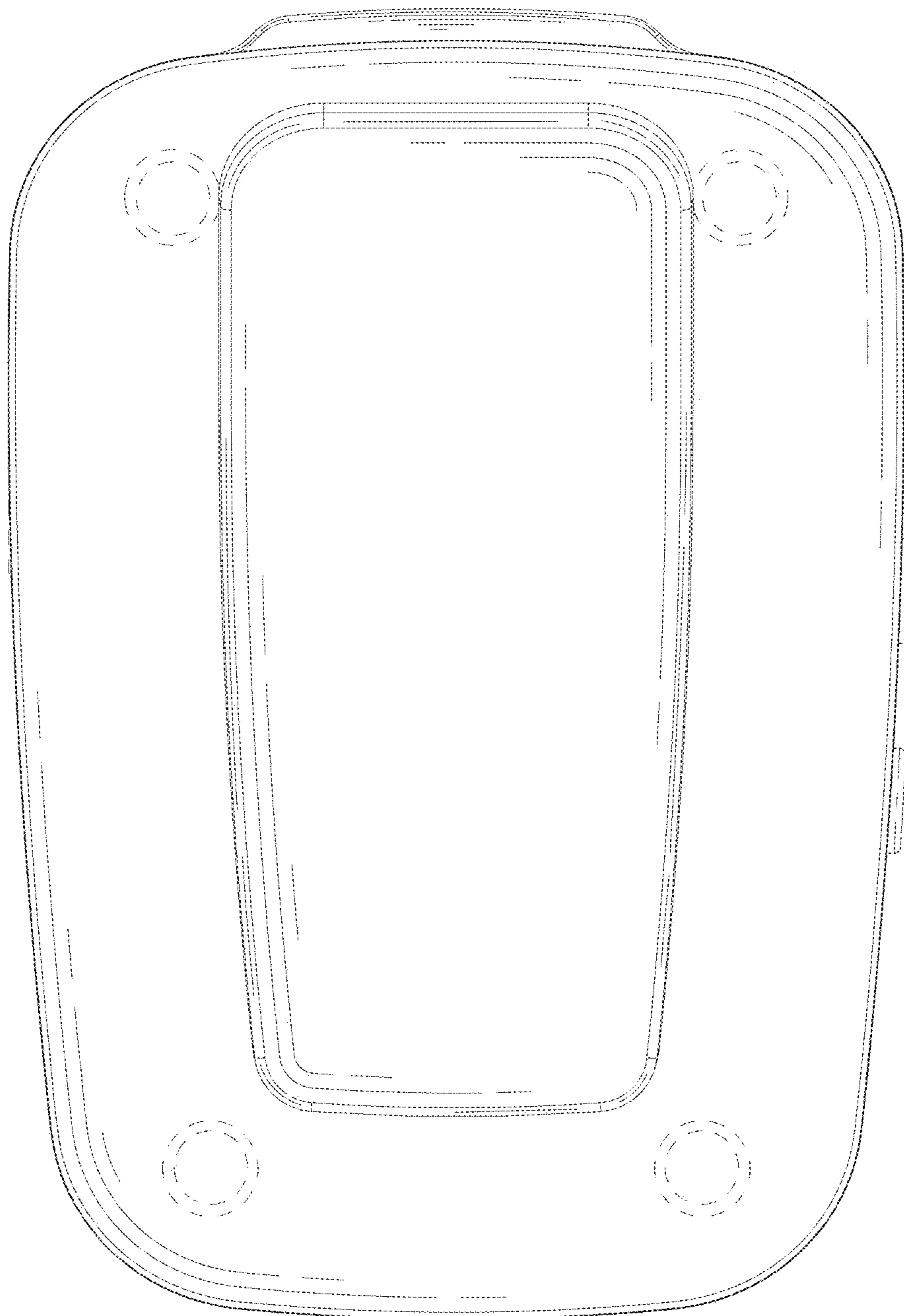


FIG. 4

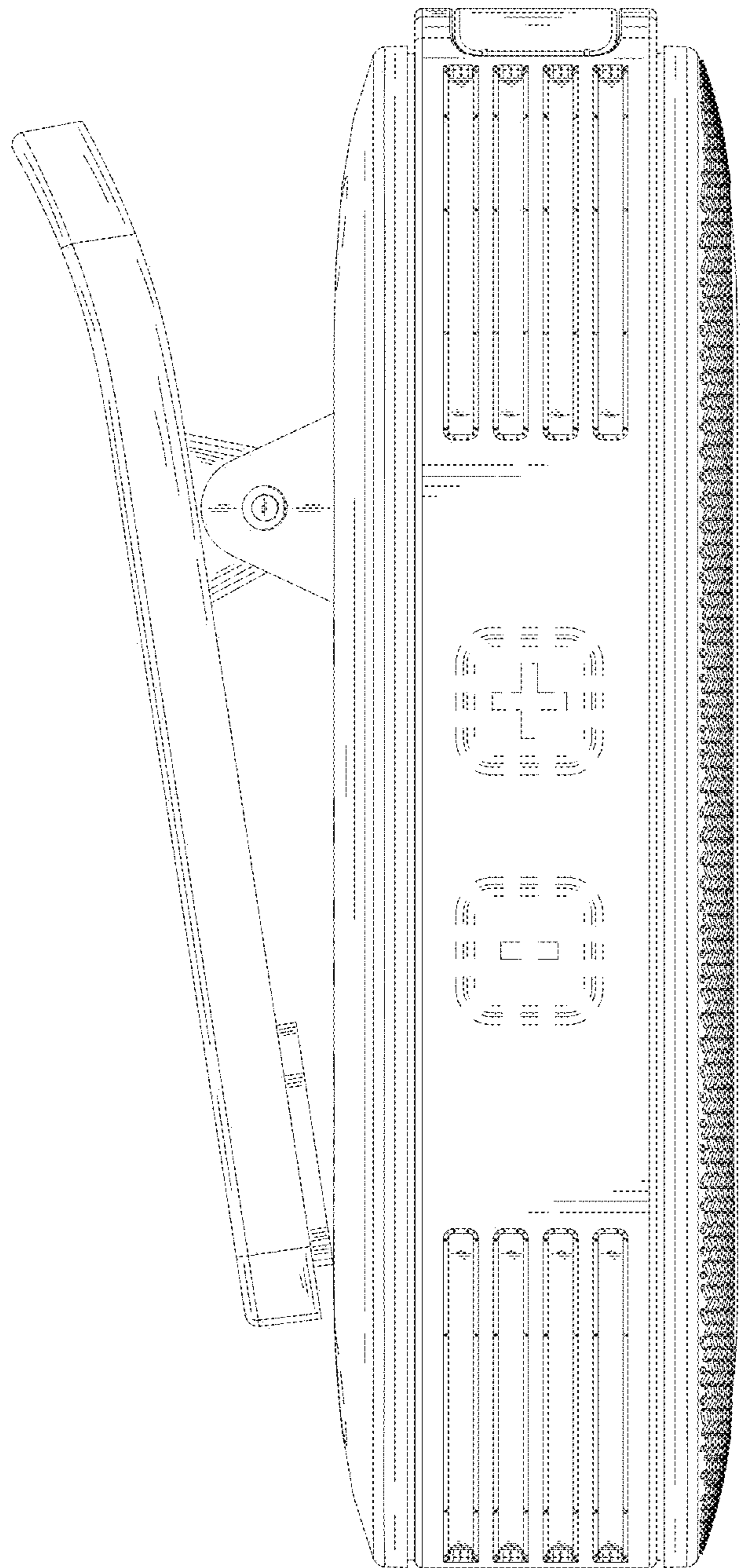


FIG. 5

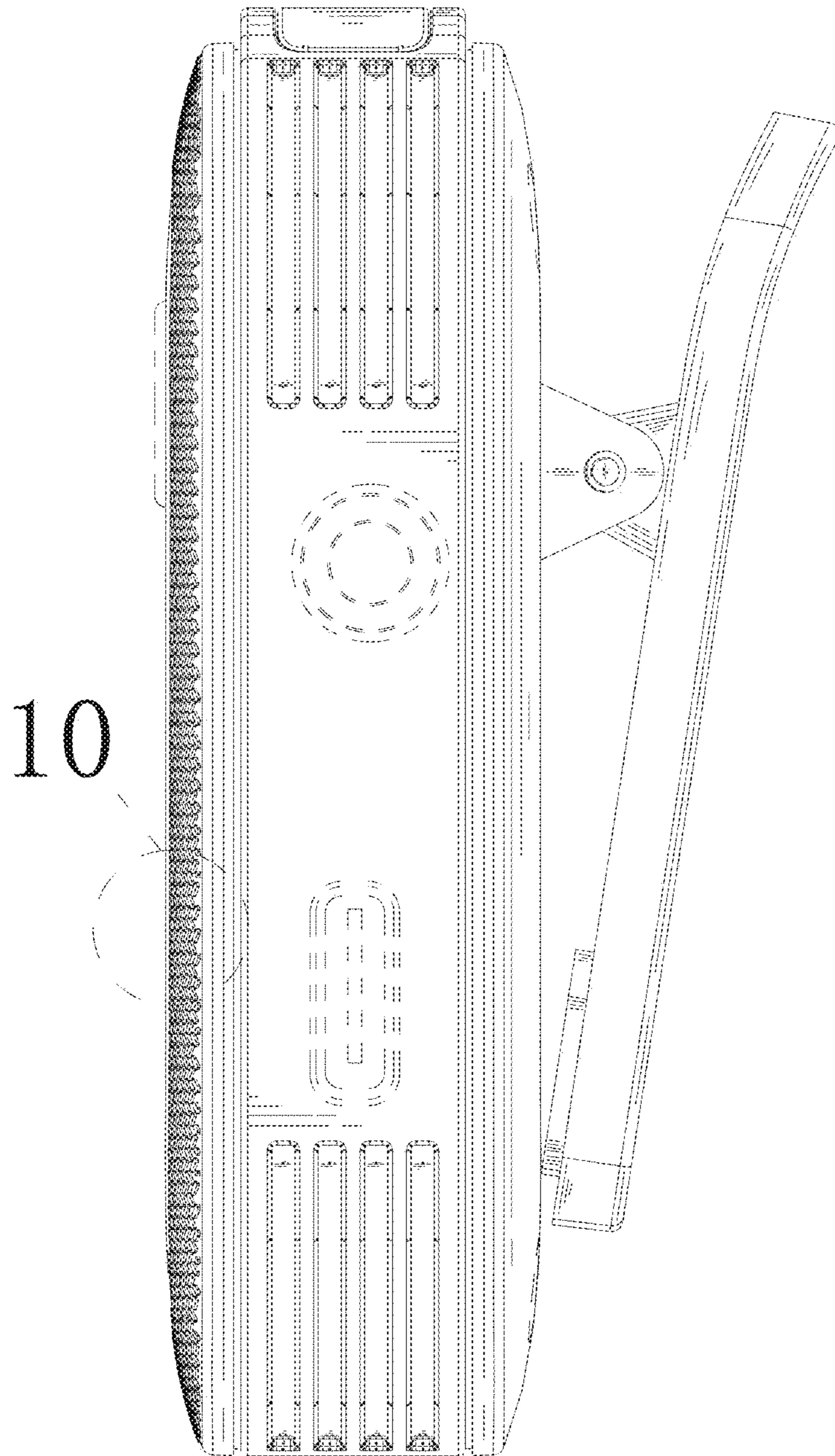


FIG. 6

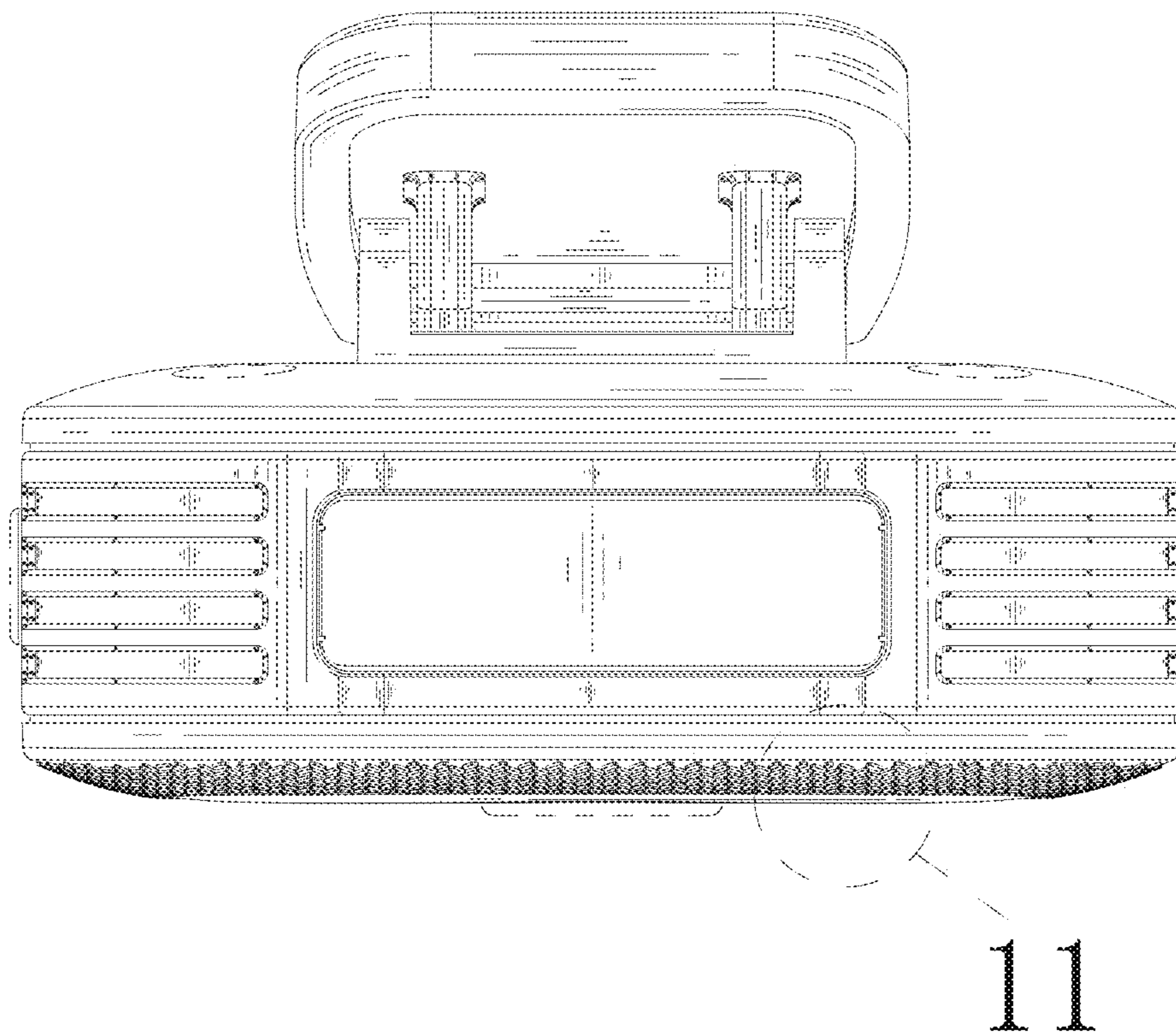


FIG. 7

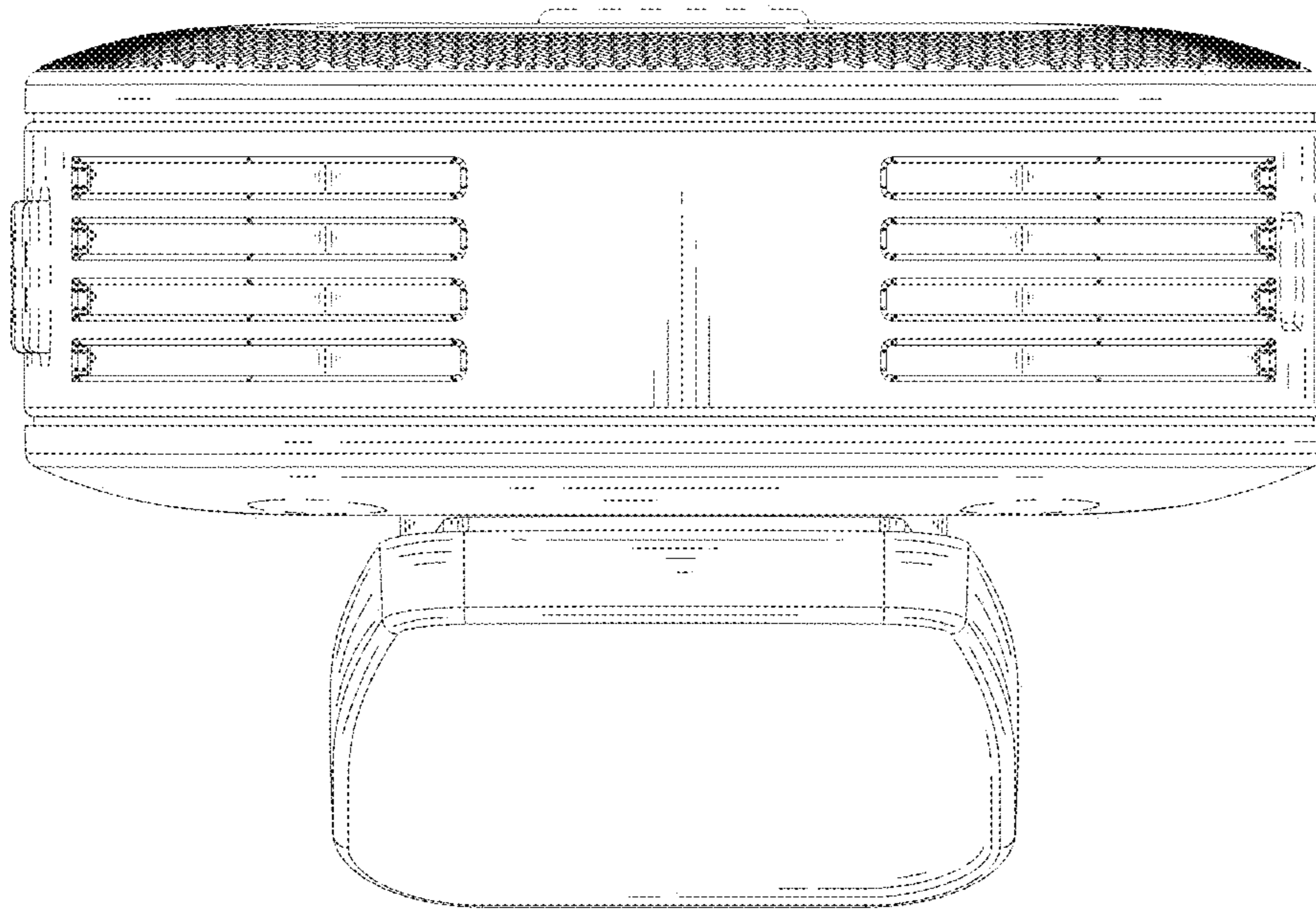


FIG. 8

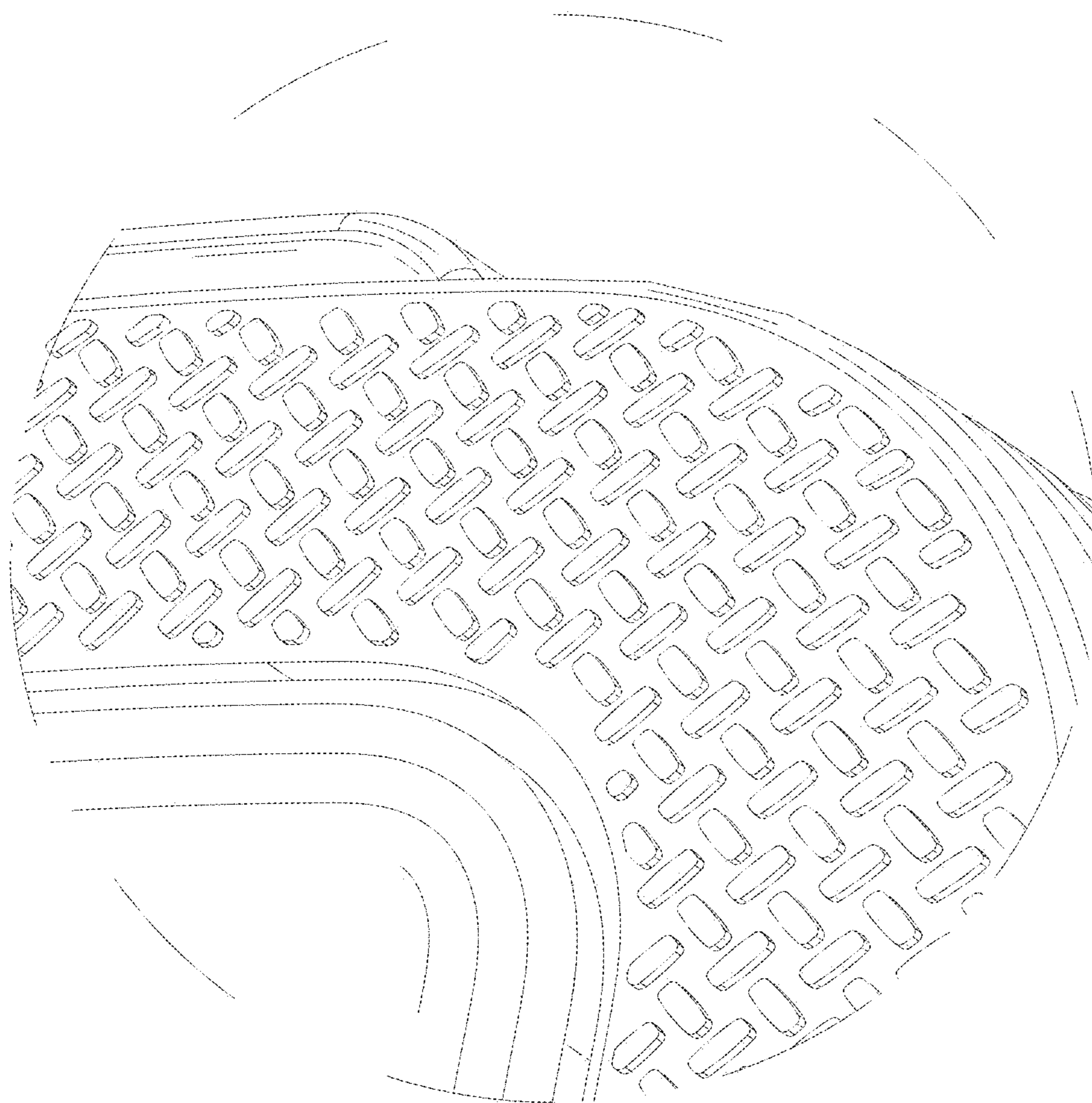


FIG. 9

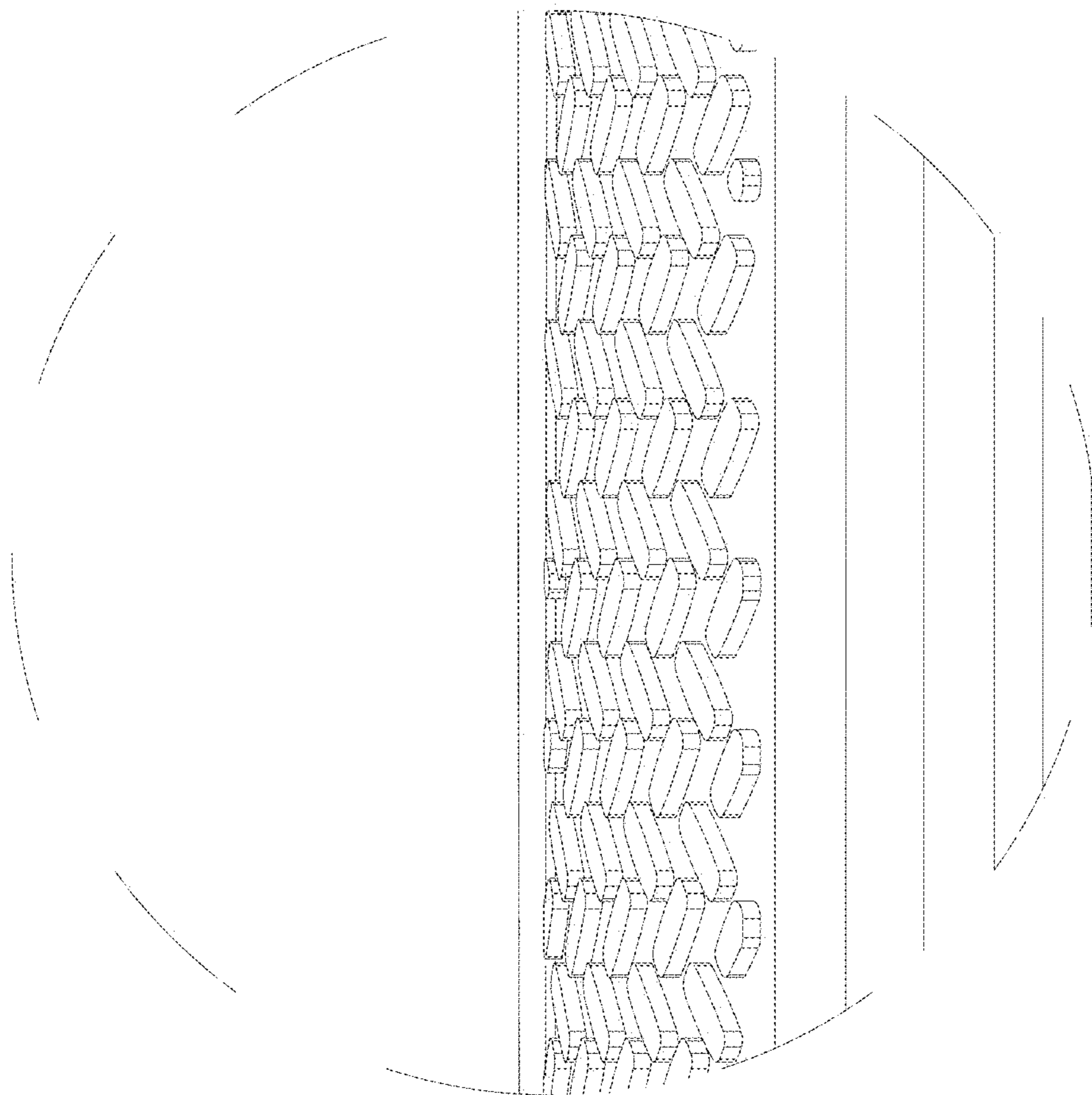


FIG. 10

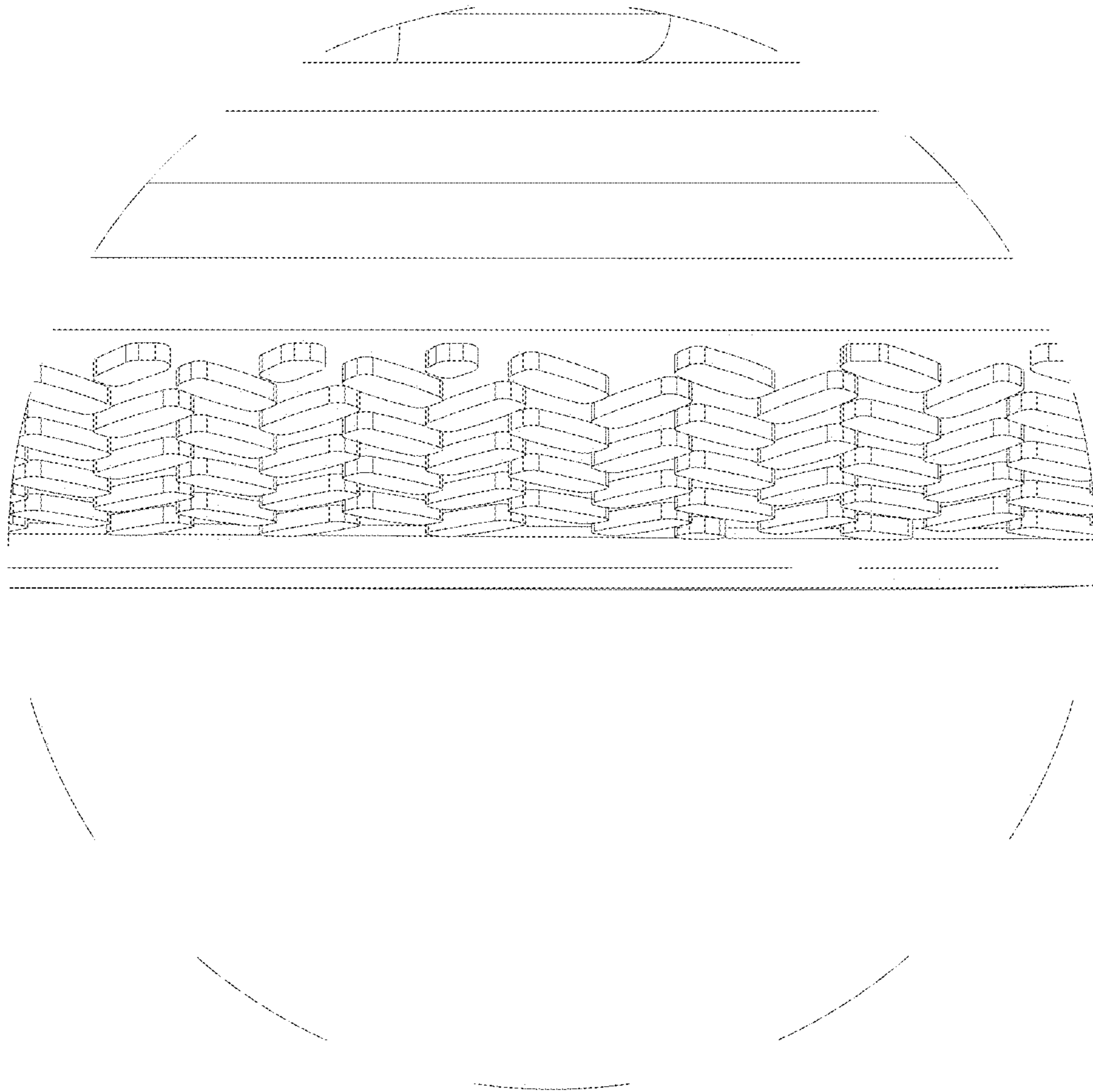


FIG. 11