



US00D933049S

(12) **United States Design Patent**
Wengreen

(10) **Patent No.:** **US D933,049 S**

(45) **Date of Patent:** **** Oct. 12, 2021**

(54) **MOUNT FOR HEADPHONES**
(71) Applicant: **Innovelis, Inc.**, Sammamish, WA (US)
(72) Inventor: **Eric John Wengreen**, Sammamish, WA (US)

(73) Assignee: **Innovelis, Inc.**, Sammamish, WA (US)

(**) Term: **15 Years**

(21) Appl. No.: **29/711,751**

(22) Filed: **Nov. 1, 2019**

(51) **LOC (13) Cl.** **14-01**

(52) **U.S. Cl.**
USPC **D14/224**

(58) **Field of Classification Search**
USPC D14/224, 253, 251, 447, 434, 209.1, D14/238.1, 238; D13/108, 137.1, 154, D13/138.1; D8/354, 356, 385; D21/453; D3/218; D6/407, 682; 24/18, 30.5 R, 24/129 B; 439/369; 242/587.2; 206/408, 410; 602/5; D29/106, 101.5, D29/122; 128/870
CPC .. H04R 25/00; A45C 1/04; G06F 1/16; B65D 85/00; B65D 85/42; H04M 1/00; F16M 13/02; B62B 3/10
See application file for complete search history.

(56) **References Cited**

U.S. PATENT DOCUMENTS

1,188,026 A * 6/1916 Warman B65D 63/14
24/18
2,016,181 A * 10/1935 Sharp D05C 1/065
242/587.2
D221,511 S * 8/1971 Flannelly D8/358
D272,716 S * 2/1984 Muench D8/356
4,602,761 A * 7/1986 Carter B60R 11/0205
248/207
4,639,971 A * 2/1987 Kurtz E05D 7/04
16/247

4,860,980 A * 8/1989 Michot F16L 3/1075
248/74.4
D311,487 S * 10/1990 Platt D8/356
5,526,931 A * 6/1996 White B65D 73/0007
206/388

(Continued)

FOREIGN PATENT DOCUMENTS

CN 305670654 * 3/2020
CN 305688721 * 4/2020
EM 006314498-0001 * 3/2019

OTHER PUBLICATIONS

Headphone mount (ASIN B07PFV1NQX) available on Amazon.com prior to Oct. 2019, downloaded on Apr. 1, 2020 from <https://www.amazon.com/gp/product/B07PFV1NQX>.

(Continued)

Primary Examiner — Paula Allen Greene

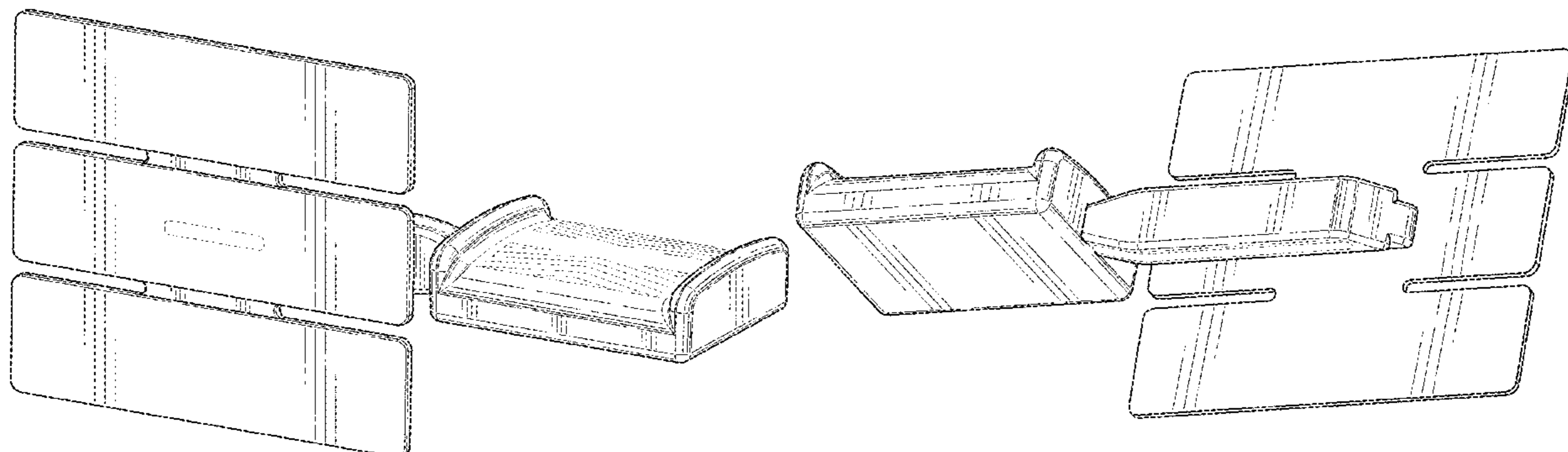
(57) **CLAIM**

The ornamental design for a mount for headphones, as shown and described.

DESCRIPTION

FIG. 1 is a first side, front, and top perspective view of a mount for headphones embodying the new design; FIG. 2 is a second side, back, and bottom perspective view thereof; FIG. 3 is a second side view thereof; FIG. 4 is a first side view thereof; FIG. 5 is a front view thereof; FIG. 6 is a back view thereof; FIG. 7 is a top view thereof; and, FIG. 8 is a bottom view thereof. The uniform repeating broken lines depict portions of a mount for headphones in which the claimed design is embodied and form no part of the claimed design.

1 Claim, 8 Drawing Sheets



(56)

References Cited

U.S. PATENT DOCUMENTS

5,703,946 A * 12/1997 Chen B60R 11/0241
379/446
5,774,945 A * 7/1998 Ginocchio B65D 63/14
24/130
6,094,496 A * 7/2000 Stowers, Sr. H04R 5/023
381/361
D453,155 S * 1/2002 Michel D14/253
D456,024 S * 4/2002 Richter D14/434
6,366,672 B1 * 4/2002 Tsay B60R 11/0241
379/446
6,542,757 B2 * 4/2003 Bae H04M 1/15
455/575.2
D484,296 S * 12/2003 Newman D2/627
D488,372 S * 4/2004 Gambrell D8/356
6,763,111 B2 * 7/2004 Liao H04M 1/15
379/430
6,891,351 B2 * 5/2005 Chen G06F 1/1632
320/115
7,048,222 B1 * 5/2006 Curtiss B65H 75/4476
191/12.2 R
D579,004 S * 10/2008 Bang D14/217
D585,897 S * 2/2009 Carnevali D14/434
D593,103 S * 5/2009 Richter D14/253
7,537,190 B2 * 5/2009 Fan B60R 11/02
248/309.1
D600,673 S * 9/2009 Kim D14/205
D601,879 S * 10/2009 Kim D8/356
D604,589 S * 11/2009 Johansson D8/356
D609,030 S * 2/2010 Barabas D14/238
D630,222 S * 1/2011 Lin D14/447
D630,322 S * 1/2011 Speiser D24/133
D634,315 S * 3/2011 Nousiainen D14/253
D656,125 S * 3/2012 Komiyama
D656,940 S * 4/2012 McClelland D14/447
D662,087 S * 6/2012 Peller D14/223
8,191,851 B2 * 6/2012 Crown F16M 11/041
248/553
D663,726 S * 7/2012 Gourley D14/251
D676,021 S * 2/2013 Stevinson D14/205
D676,310 S * 2/2013 Lowrance D8/356
8,444,098 B2 * 5/2013 Parello A63H 27/10
248/218.4
D684,145 S * 6/2013 Rath
D688,202 S * 8/2013 Mecca D13/108
D690,707 S * 10/2013 Minn B60R 11/0241
D14/447
8,622,944 B1 * 1/2014 Villahermosa A61F 5/05825
602/5
D703,213 S * 4/2014 Gifford D14/447
D712,394 S * 9/2014 Booth D14/253

D720,759 S * 1/2015 Deng D14/447
D721,074 S * 1/2015 Harris D14/253
D733,115 S * 6/2015 Aspinall D14/253
D738,012 S * 9/2015 Lin D26/28
D745,376 S * 12/2015 Butler D8/356
D749,549 S * 2/2016 Wengreen D14/238.1
D753,643 S * 4/2016 Kim D14/253
D757,705 S * 5/2016 Esses D14/251
D772,217 S * 11/2016 Alesi D14/253
D776,080 S * 1/2017 Enquist D14/205
9,975,497 B2 * 5/2018 Kim F16M 11/041
D827,405 S * 9/2018 Chun D8/72
D839,716 S * 2/2019 Gertsma D8/356
D854,006 S * 7/2019 Wang D14/253
D868,054 S * 11/2019 Kim D14/253
D905,021 S * 12/2020 Wengreen D14/224
D916,687 S * 4/2021 Shi D14/224
D922,361 S * 6/2021 Jin D14/224
2007/0099681 A1 * 5/2007 Kielland A45F 5/02
455/575.1
2007/0165371 A1 * 7/2007 Brandenburg A45F 5/021
361/679.55
2011/0019992 A1 * 1/2011 Orf H04M 1/04
396/419
2013/0146726 A1 * 6/2013 Bobrow F16M 11/041
248/230.1
2015/0059131 A1 * 3/2015 Wu F16G 11/103
24/128
2016/0121804 A1 * 5/2016 Robinson, II A45F 5/021
248/231.81

OTHER PUBLICATIONS

Headphone mount (ASIN B01GJQ7N94) available on Amazon.com prior to Oct. 2019, downloaded on Apr. 1, 2020 from <https://www.amazon.com/gp/product/B01GJQ7N94>.
Headphone mount (ASIN B00P31BMHG) available on Amazon.com prior to Oct. 2019, downloaded on Apr. 1, 2020 from <https://www.amazon.com/gp/product/B00P31BMHG>.
Headphone mount (ASIN B07BVK2FQW) available on Amazon.com prior to Oct. 2019, downloaded on Apr. 1, 2020 from <https://www.amazon.com/gp/product/B07BVK2FQW>.
Headphone mount (ASIN B077MBVHP7) available on Amazon.com prior to Oct. 2019, downloaded on Apr. 1, 2020 from <https://www.amazon.com/gp/product/B077MBVHP7>.
Headphone mount (ASIN B012VIWG28) available on Amazon.com prior to Oct. 2019, downloaded on Apr. 1, 2020 from <https://www.amazon.com/gp/product/B012VIWG28>.
Headphone mount (ASIN B0192P8U5U) available on Amazon.com prior to Oct. 2019, downloaded on Apr. 1, 2020 from <https://www.amazon.com/gp/product/B0192P8U5U>.

* cited by examiner

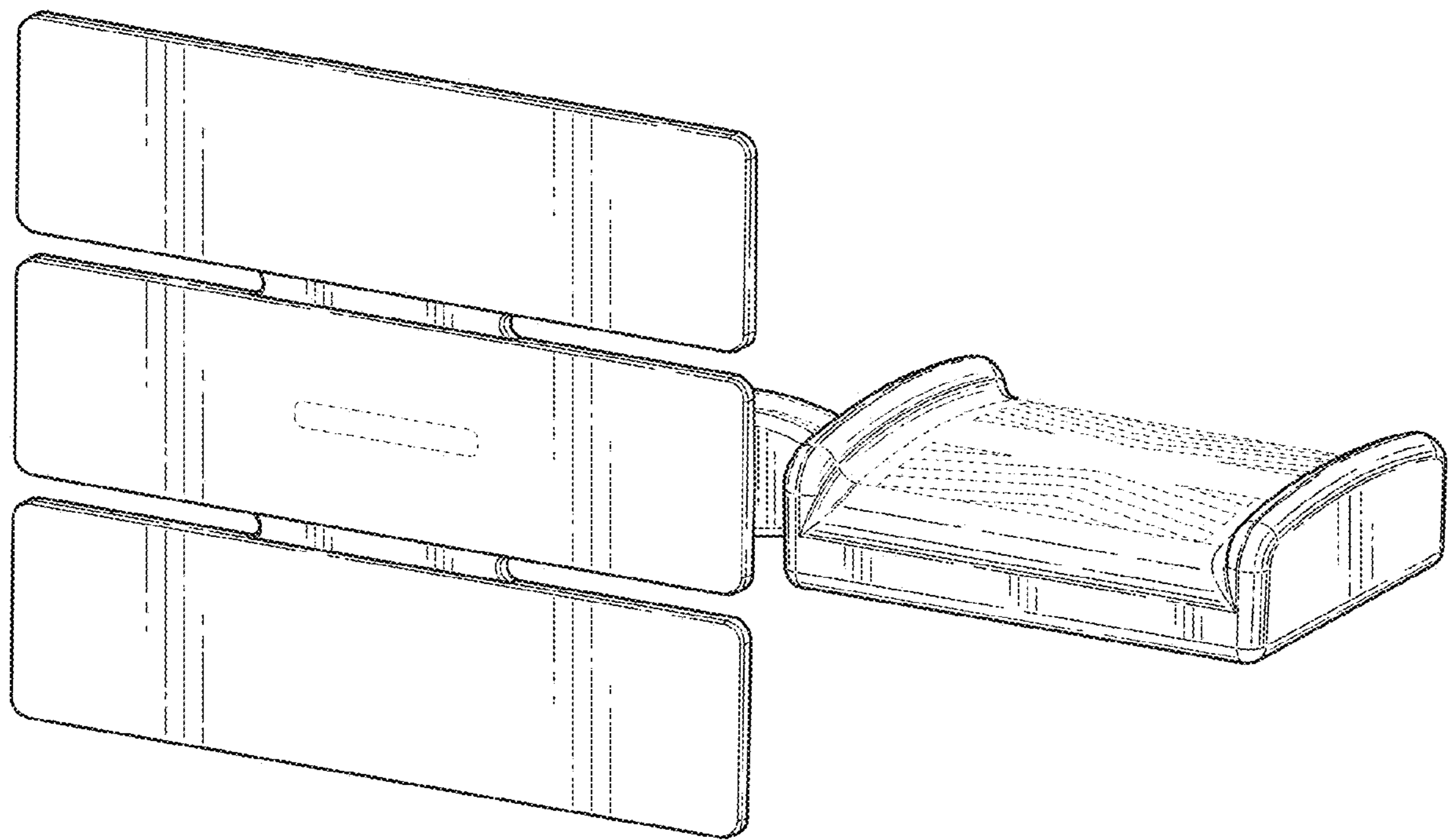


FIG. 1

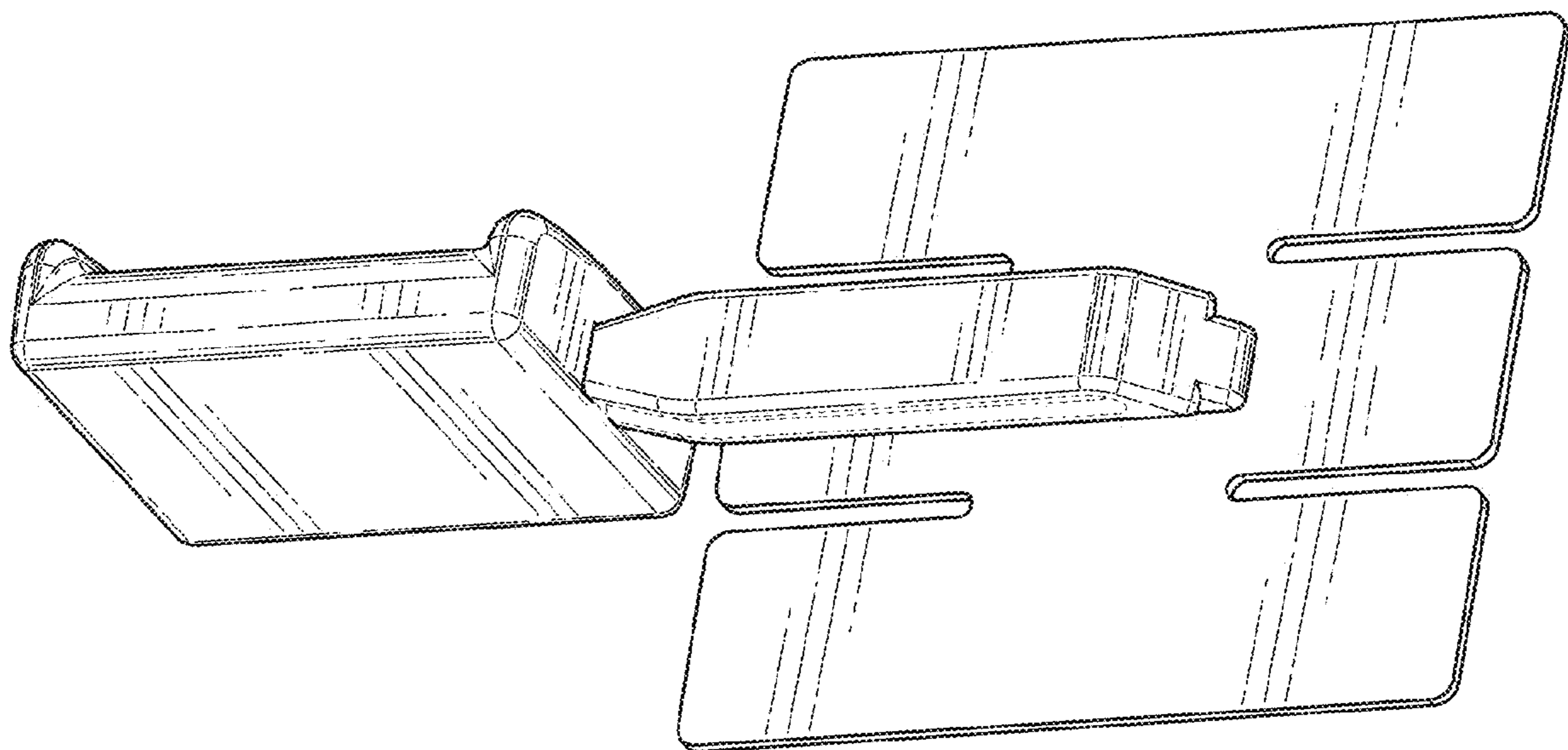


FIG. 2

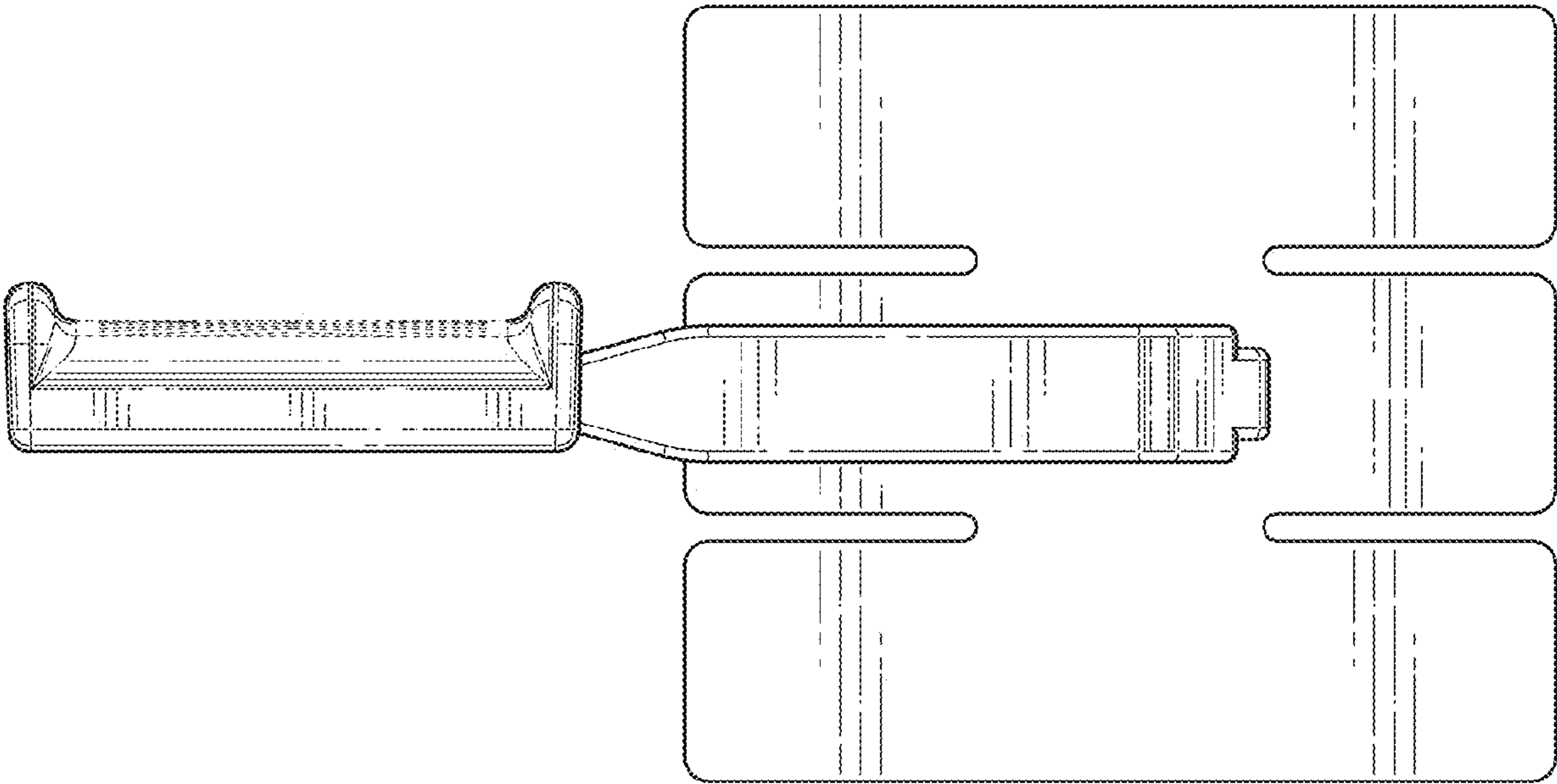


FIG. 3

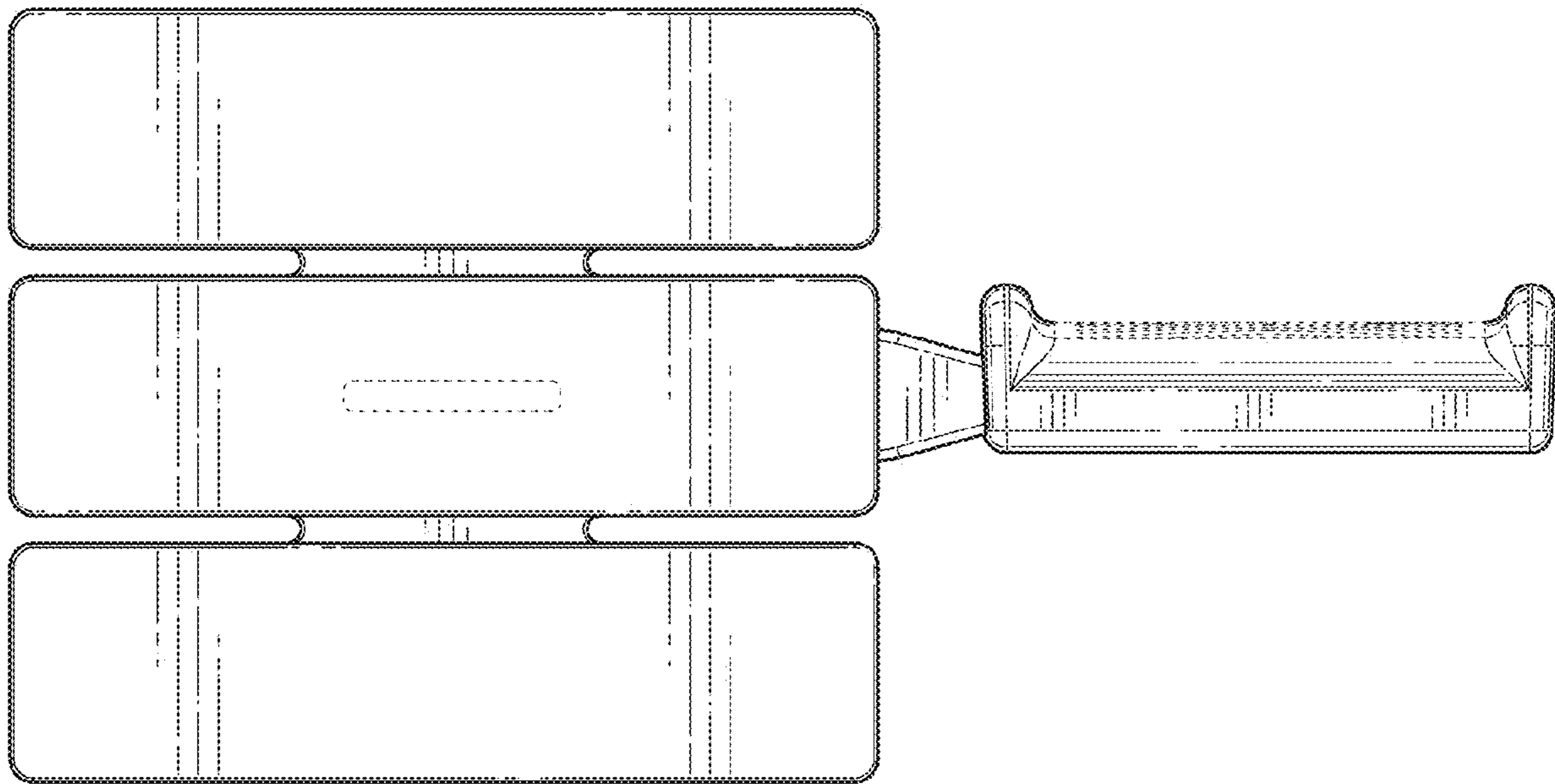


FIG. 4

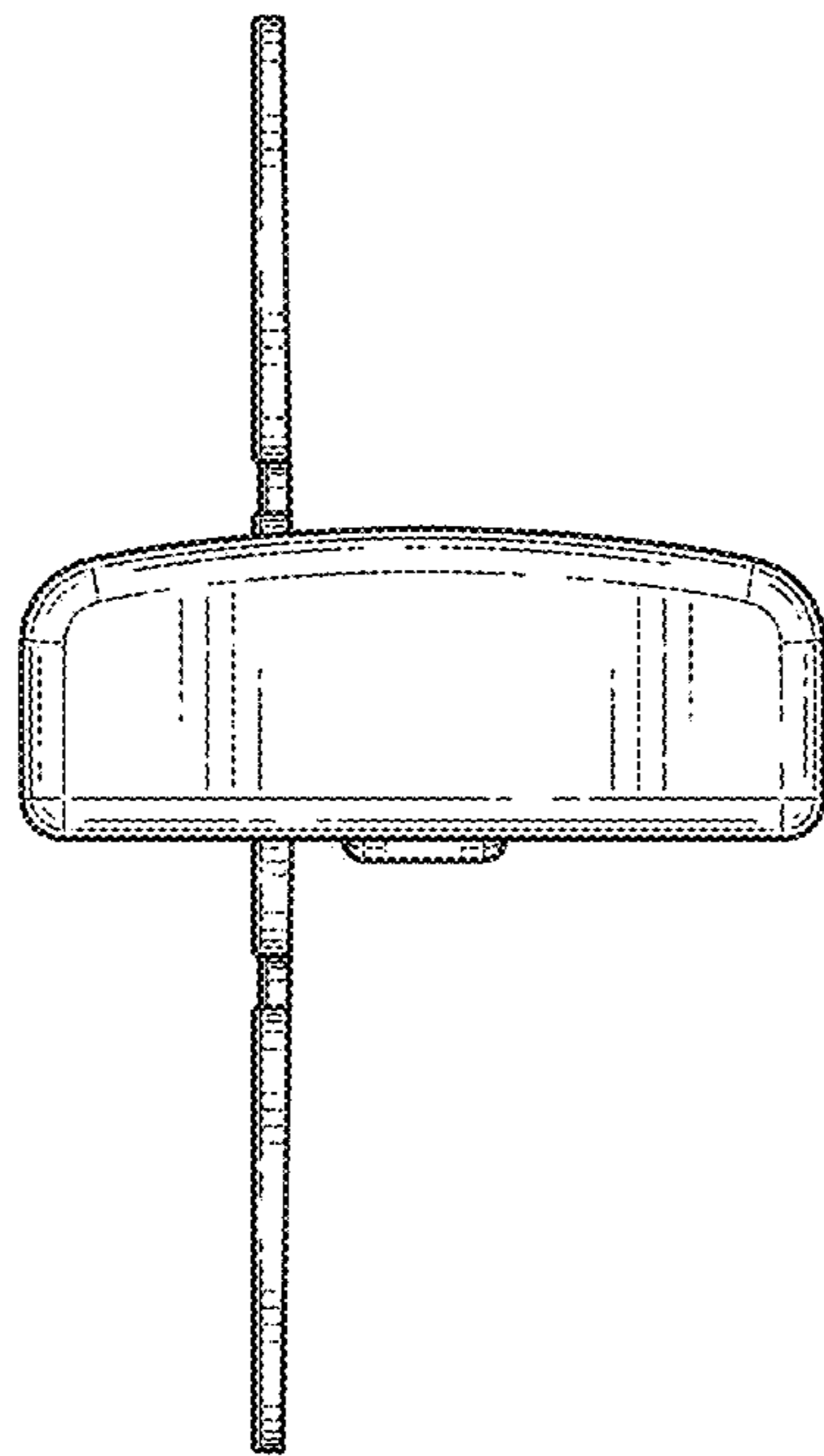


FIG. 5

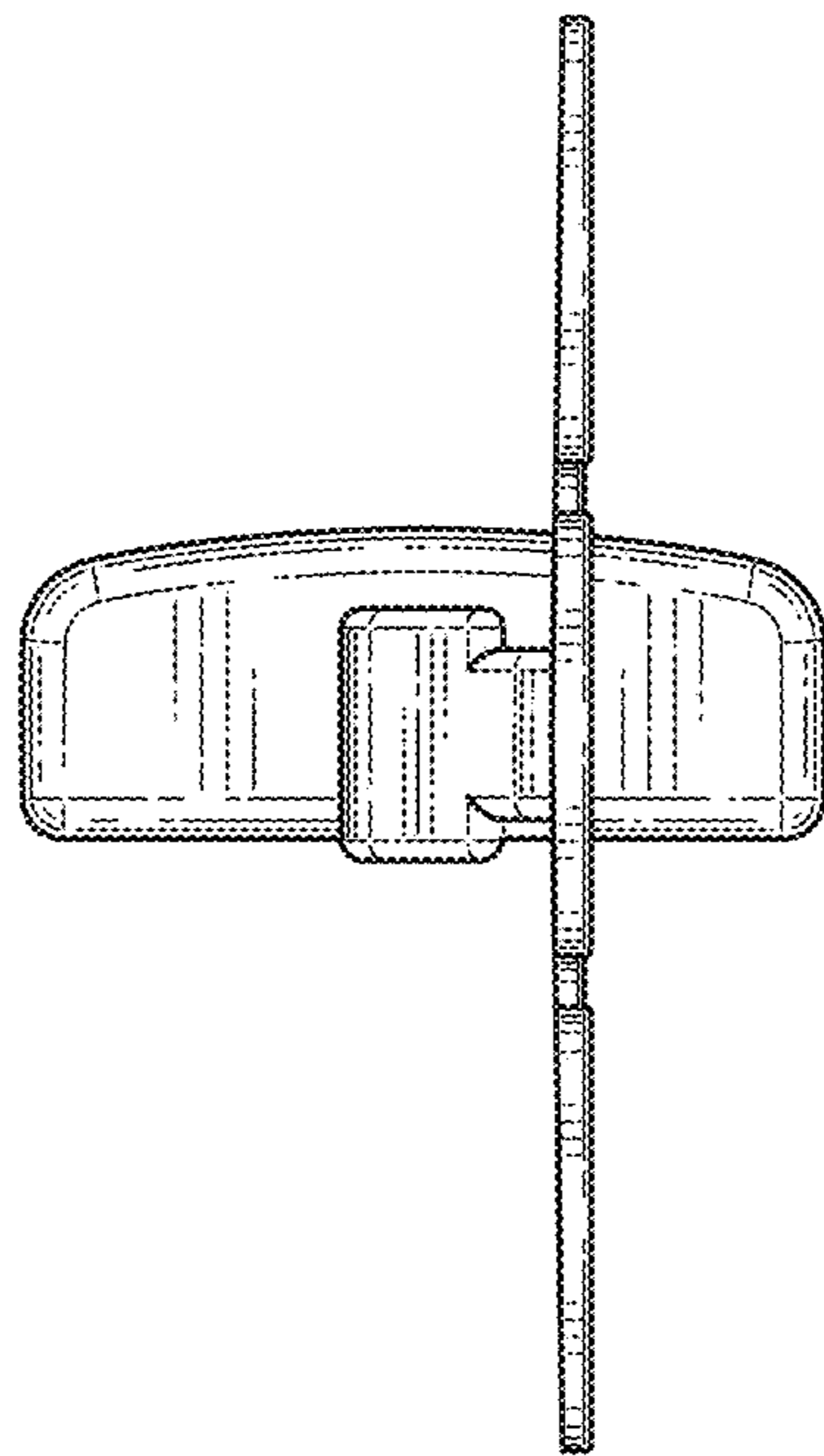


FIG. 6

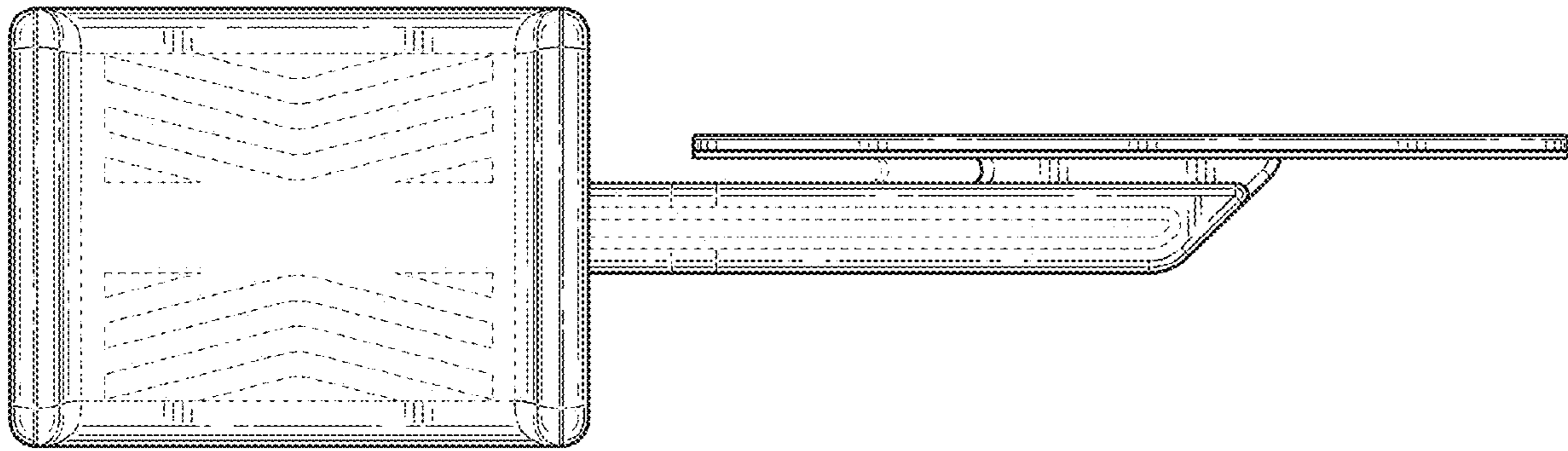


FIG. 7

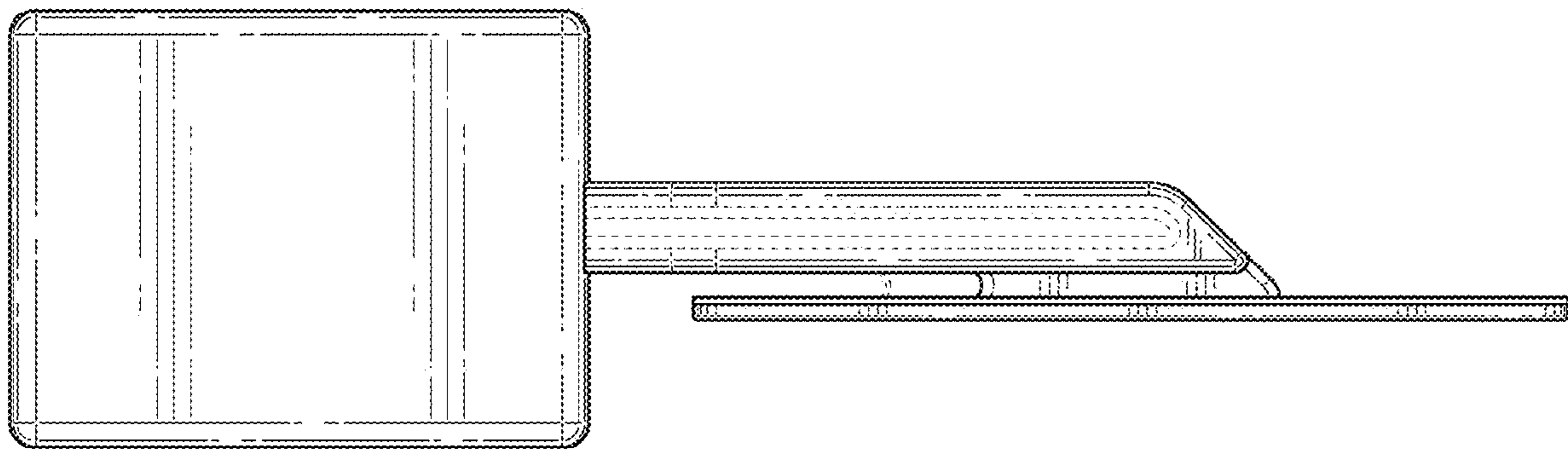


FIG. 8