



US00D933047S

(12) **United States Design Patent** (10) **Patent No.:** **US D933,047 S**  
**Cartledge et al.** (45) **Date of Patent:** **\*\* Oct. 12, 2021**

(54) **EARPHONE**

(71) Applicants: **Richard Cartledge**, West Palm Beach, FL (US); **Ami Brannon**, West Palm Beach, FL (US); **Kermit Falk**, West Palm Beach, FL (US); **Peter Kratsch**, West Palm Beach, FL (US); **Vincent Manopoli**, West Palm Beach, FL (US)

(72) Inventors: **Richard Cartledge**, West Palm Beach, FL (US); **Ami Brannon**, West Palm Beach, FL (US); **Kermit Falk**, West Palm Beach, FL (US); **Peter Kratsch**, West Palm Beach, FL (US); **Vincent Manopoli**, West Palm Beach, FL (US)

(73) Assignee: **Neuvana, LLC**, West Palm Beach, FL (US)

(\*\*) Term: **15 Years**

(21) Appl. No.: **29/712,184**

(22) Filed: **Nov. 6, 2019**

(51) **LOC (13) Cl.** ..... **14-01**

(52) **U.S. Cl.**  
USPC ..... **D14/223**

(58) **Field of Classification Search**  
USPC ... D14/205, 207, 217, 221, 223, 224, 224.1, D14/225; D24/173, 174  
CPC ..... H04R 1/10; H04R 1/1016; H04R 1/1066; H04R 1/105; H04R 1/1033; H04R 1/08; H04R 5/033; H04R 5/0335; H04R 25/00  
See application file for complete search history.

(56) **References Cited**

**U.S. PATENT DOCUMENTS**

D602,475 S \* 10/2009 Martin ..... D14/223  
D621,388 S \* 8/2010 Koss ..... D14/223  
D678,252 S \* 3/2013 Cantoni ..... D14/223  
D710,334 S \* 8/2014 Yang ..... D14/223  
8,831,266 B1 \* 9/2014 Huang ..... H04R 1/2811  
381/380

D737,251 S \* 8/2015 Thompson ..... D14/223  
D784,297 S \* 4/2017 Lee ..... D14/223  
D806,685 S \* 1/2018 Park ..... D14/223  
D815,069 S \* 4/2018 Xiong ..... D14/223  
D836,598 S \* 12/2018 Chen ..... D14/205  
D847,794 S \* 5/2019 Guo ..... D14/223  
10,448,141 B2 \* 10/2019 Na ..... H04R 1/24

(Continued)

**FOREIGN PATENT DOCUMENTS**

EM 001478267-0001 \* 4/2020

**OTHER PUBLICATIONS**

Neuvana Platform for Vagus Nerve Stimulation, announced Oct. 15, 2019 [online], retrieved Jan. 28, 2021, retrieved from internet, [https://www.businesswire.com/news/home/20191015005288/en/Neuvana-Platform-for-Vagus-Nerve-Stimulation-Delivers-Wellness-Benefits-Through-App-Connected-Earbuds.\\*](https://www.businesswire.com/news/home/20191015005288/en/Neuvana-Platform-for-Vagus-Nerve-Stimulation-Delivers-Wellness-Benefits-Through-App-Connected-Earbuds.*)

(Continued)

*Primary Examiner* — Dana K Weiland  
*Assistant Examiner* — Messina L Smith  
(74) *Attorney, Agent, or Firm* — Lott & Fischer, P.L.

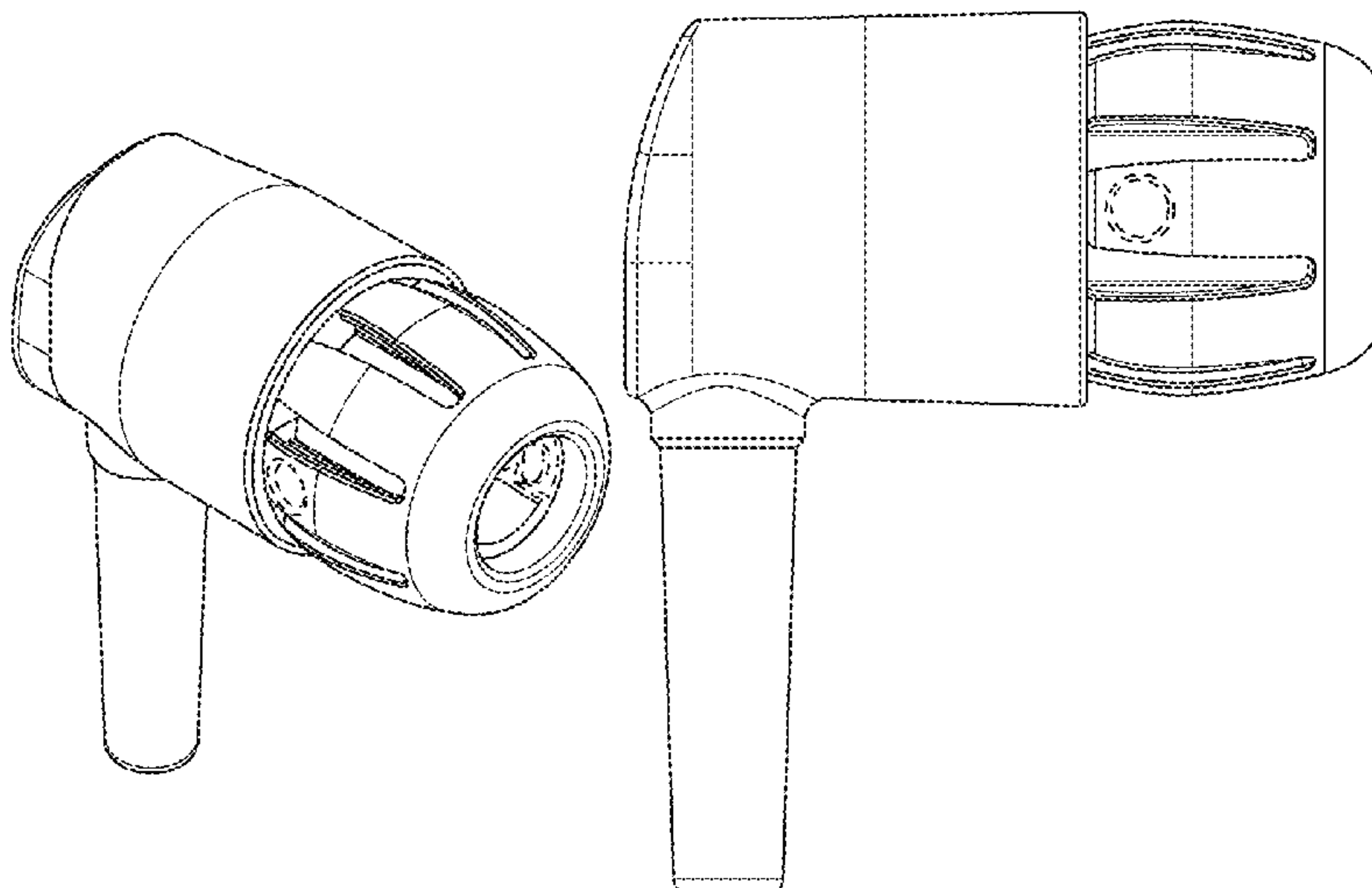
(57) **CLAIM**

The ornamental design for an earphone, as shown and described.

**DESCRIPTION**

FIG. 1 is a front perspective view of an earphone showing our new design;  
FIG. 2 is a front elevational view of the design of FIG. 1;  
FIG. 3 is a rear elevational view of the design of FIG. 1;  
FIG. 4 is a top view of the design of FIG. 1;  
FIG. 5 is a left side elevational view of the design of FIG. 1; and,  
FIG. 6 is a right side elevational view of the design of FIG. 1.  
The broken lines in the figures depict portions of the earphone that form no part of the claimed design.

**1 Claim, 2 Drawing Sheets**



(56)

**References Cited**

U.S. PATENT DOCUMENTS

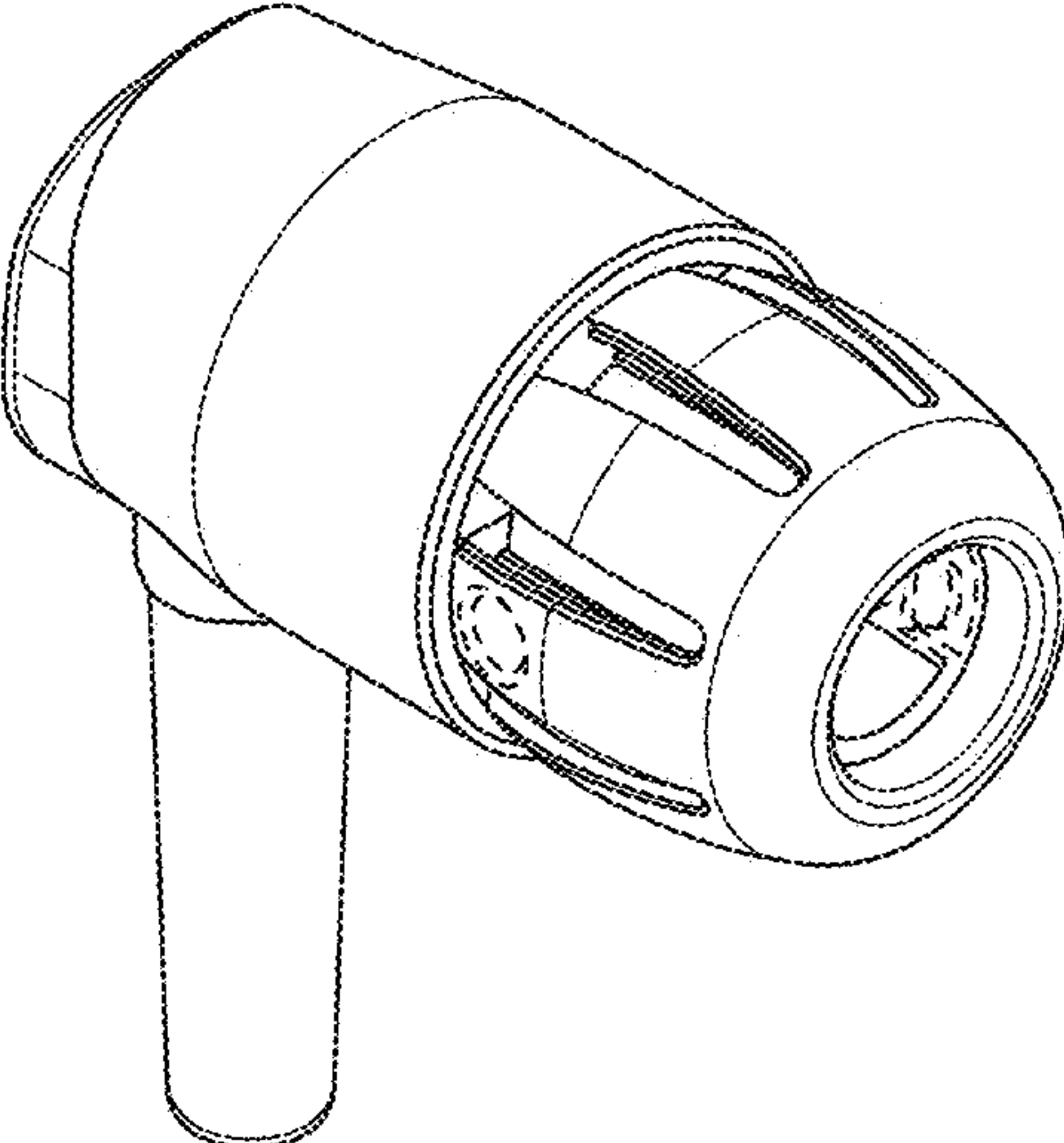
D888,690 S \* 6/2020 Yan ..... D14/223  
D888,692 S \* 6/2020 Cheng ..... D14/223  
D889,436 S \* 7/2020 Zhang ..... D14/223  
D896,207 S \* 9/2020 He ..... D14/223  
D904,347 S \* 12/2020 Yamamoto ..... D14/223  
2012/0170787 A1\* 7/2012 Staley ..... H04R 1/1058  
381/370  
2013/0208939 A1\* 8/2013 Kolton ..... H04R 1/1033  
381/381

OTHER PUBLICATIONS

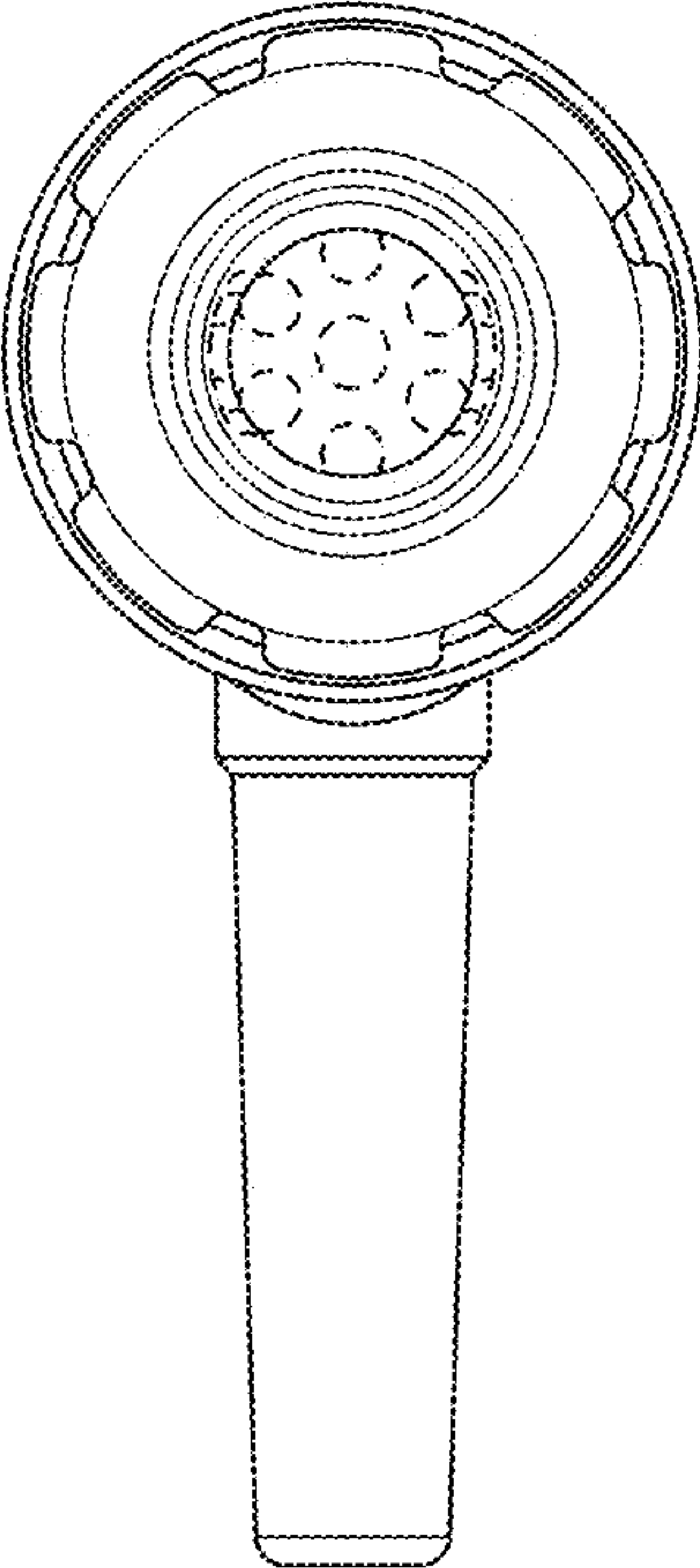
Neuvana, announed © 2021 [online], retrieved Jan. 28, 2021,  
retrieved from internet, [https://neuvanalife.com/collections/  
accessories](https://neuvanalife.com/collections/accessories).\*

Nervana: Stimulate Your Serenity, announed Apr. 25, 2016 [online],  
retrieved Jan. 28, 2021, retrieved from internet, [https://www.  
indiegogo.com/projects/nervana-stimulate-your-serenity#](https://www.indiegogo.com/projects/nervana-stimulate-your-serenity#/).\*

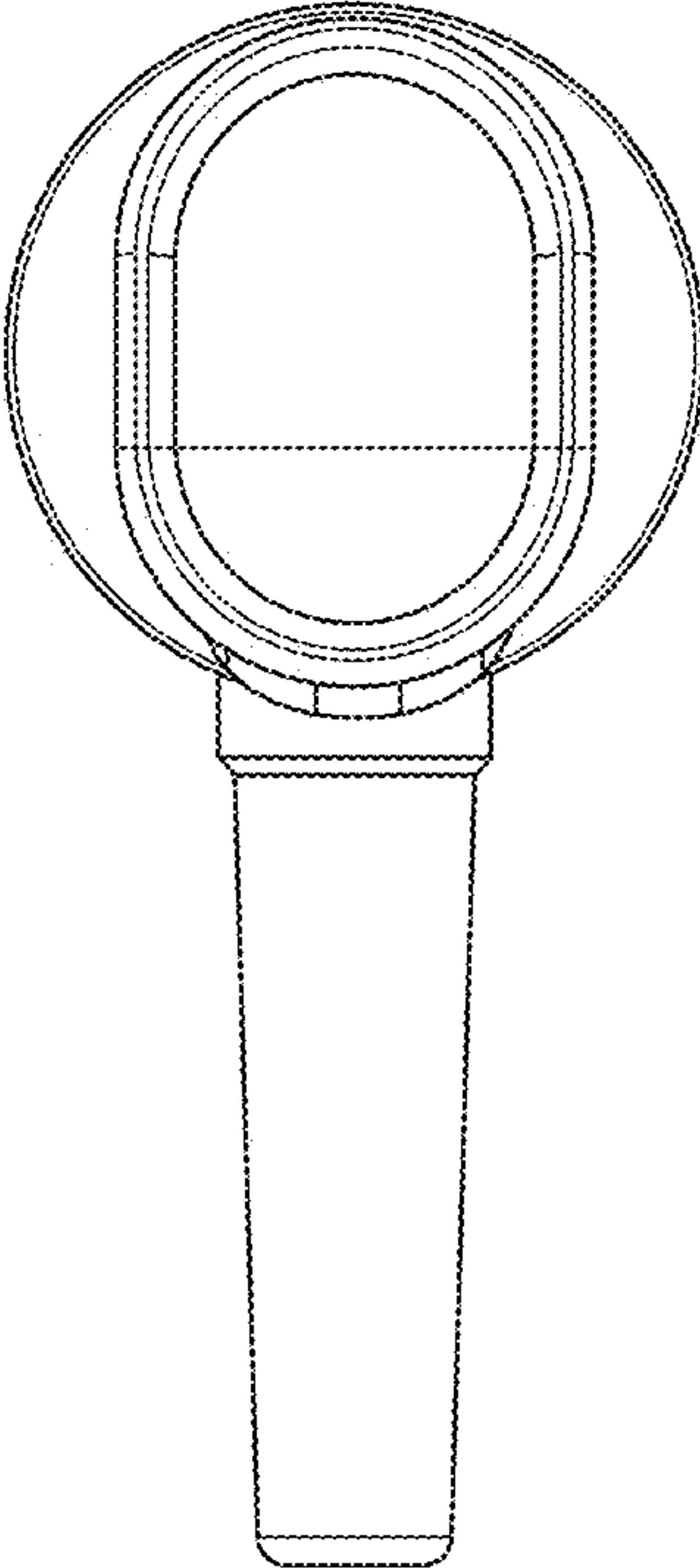
\* cited by examiner



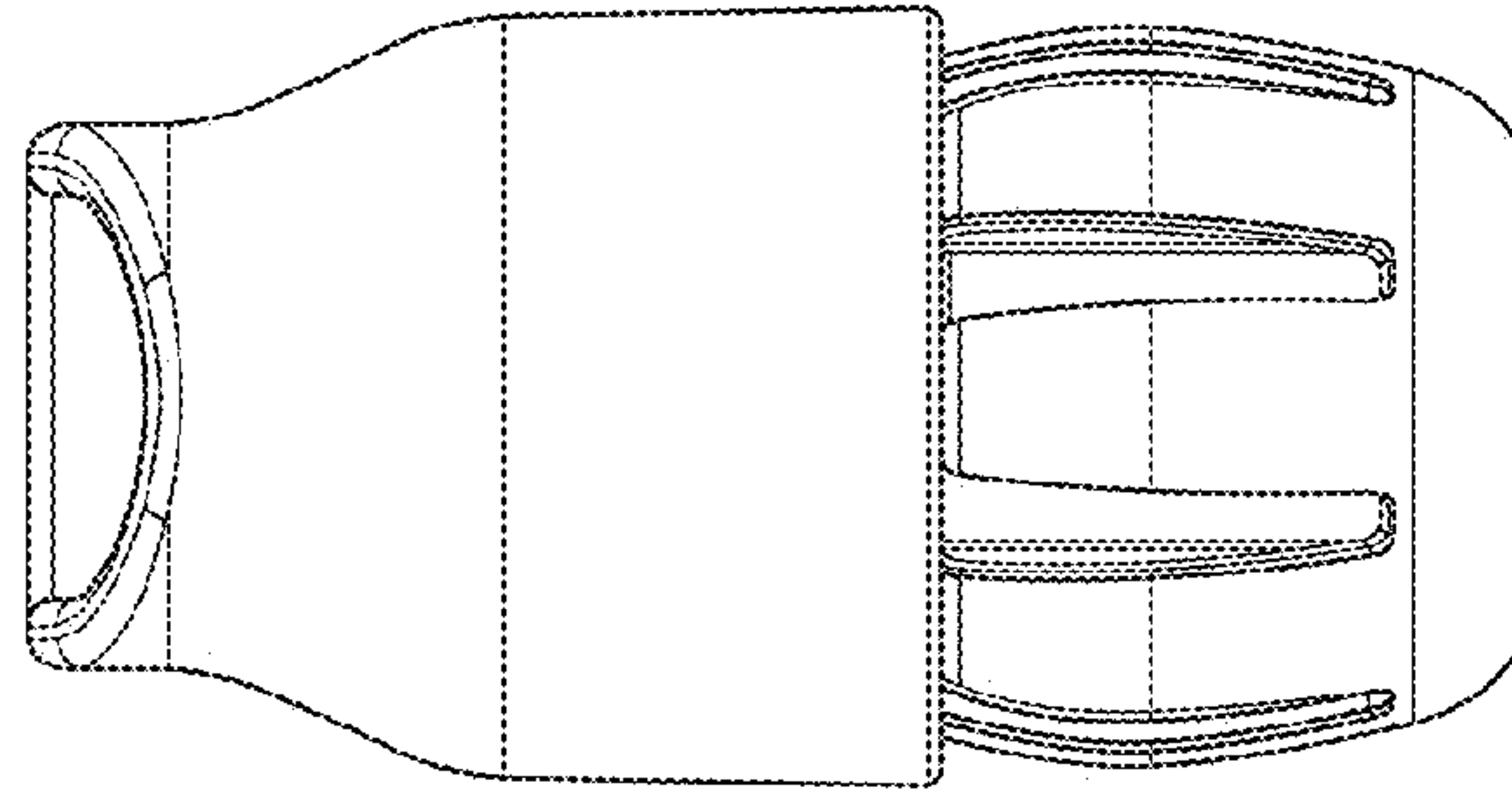
**FIG. 1**



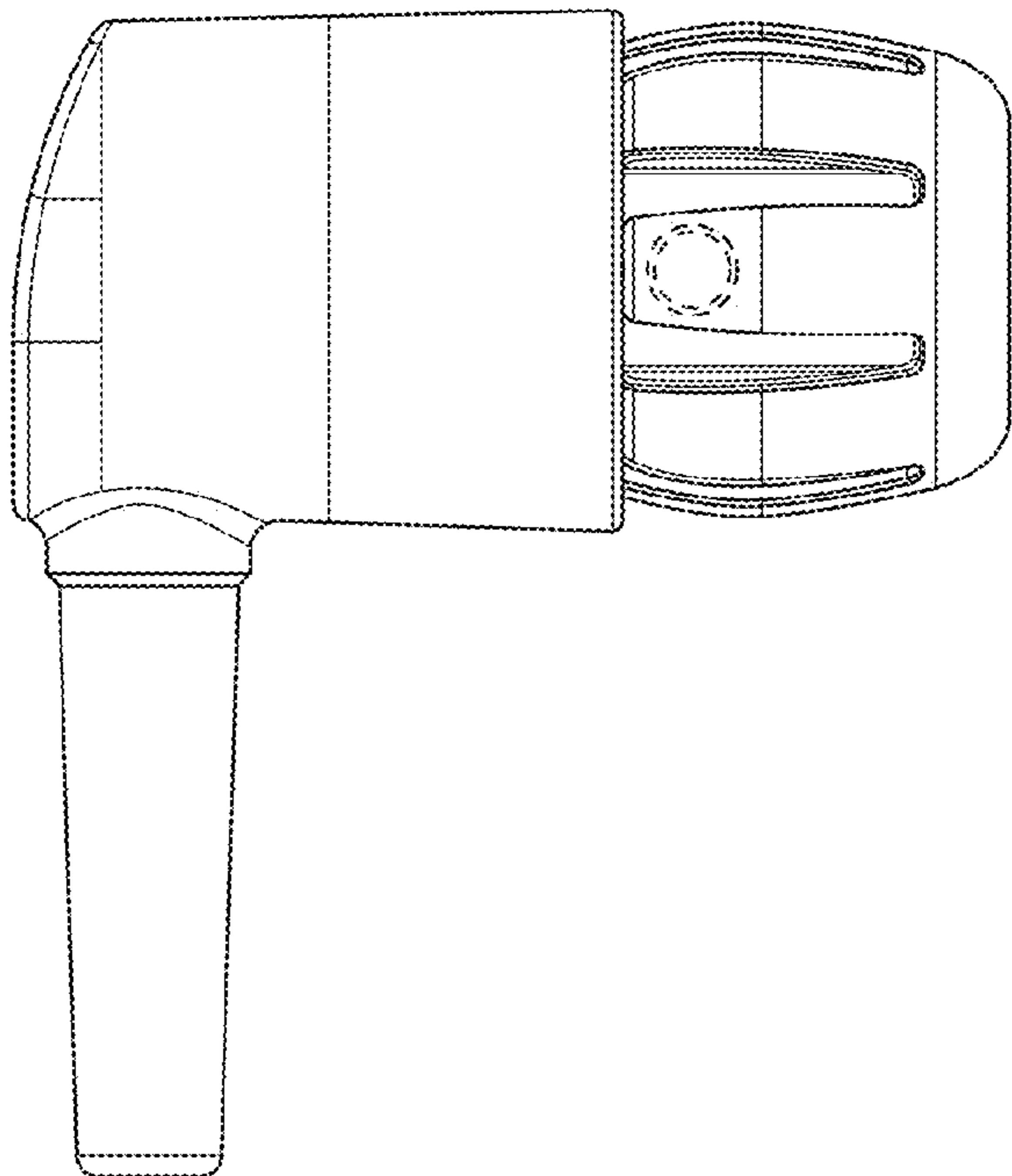
**FIG. 2**



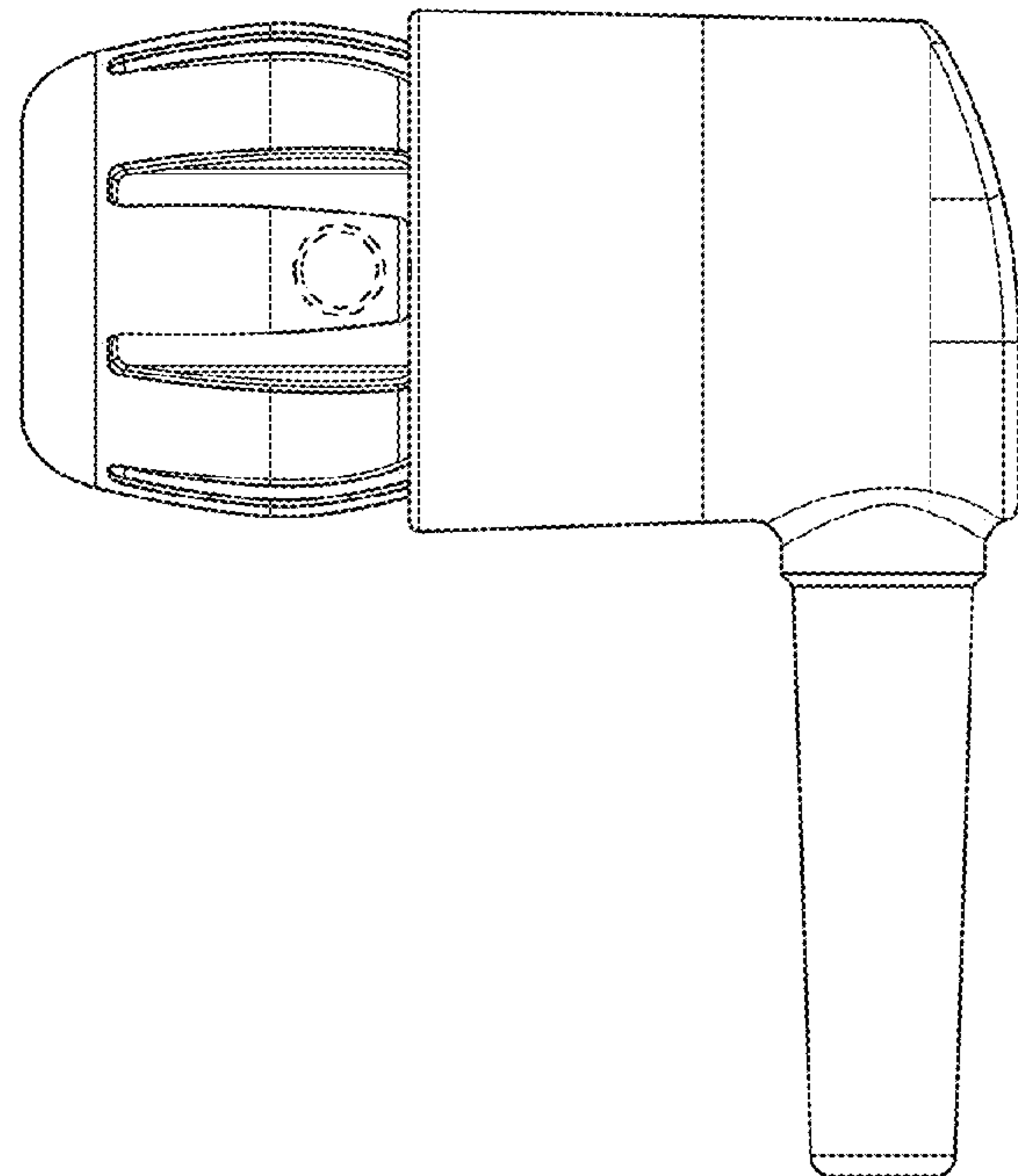
**FIG. 3**



**FIG. 4**



**FIG. 5**



**FIG. 6**