



US00D933046S

(12) **United States Design Patent**  
**Huang et al.**

(10) **Patent No.:** **US D933,046 S**

(45) **Date of Patent:** **\*\* Oct. 12, 2021**

(54) **BLUETOOTH SPEAKER**  
(71) Applicant: **BEIJING XIAOMI MOBILE SOFTWARE CO., LTD.**, Beijing (CN)  
(72) Inventors: **Yifan Huang**, Beijing (CN); **Bin Liu**, Beijing (CN); **Shichen Xu**, Beijing (CN)  
(73) Assignee: **BEIJING XIAOMI MOBILE SOFTWARE CO., LTD.**, Beijing (CN)

D740,258 S *	10/2015	Yu .....	D14/216
D768,114 S *	10/2016	Hou .....	D14/218
D773,437 S *	12/2016	Lee .....	D14/223
D797,149 S *	9/2017	Beck .....	D14/496
D797,704 S *	9/2017	Fischer .....	D14/216
D797,807 S *	9/2017	Mangum .....	D14/496
D802,627 S *	11/2017	Mangum .....	D14/496
D819,600 S *	6/2018	Jeon .....	D14/216
D822,717 S *	7/2018	Lim .....	D14/496
D828,333 S *	9/2018	Hu .....	D14/216
D829,242 S *	9/2018	Laine .....	D14/496
D860,160 S *	9/2019	Wolman .....	D14/204
D862,418 S *	10/2019	Distefano .....	D14/216
D868,031 S *	11/2019	Ryu .....	D14/216

(\*\*) Term: **15 Years**

(21) Appl. No.: **35/509,901**

(22) Filed: **Apr. 23, 2020**

(80) **Hague Agreement Data**

Int. Filing Date: **Apr. 23, 2020**  
Int. Reg. No.: **DM/209183**  
Int. Reg. Date: **Apr. 23, 2020**  
Int. Reg. Pub. Date: **Jul. 24, 2020**

(30) **Foreign Application Priority Data**

Nov. 15, 2019 (CN) ..... 201930631479

(51) **LOC (13) Cl.** ..... **14-01**

(52) **U.S. Cl.**  
USPC ..... **D14/216; D14/496**

(58) **Field of Classification Search**  
USPC ..... D14/172, 188, 194, 203.1, 204, 209.1, D14/211, 212, 214, 215, 221; D23/351, D23/352, 355, 364; D26/85, 88, 90  
CPC ..... H04R 2420/07; H04R 5/02; H04R 1/403; H04R 2201/028  
See application file for complete search history.

(56) **References Cited**

**U.S. PATENT DOCUMENTS**

D465,469 S \* 11/2002 Heath ..... D10/104.1  
D617,314 S \* 6/2010 Zha ..... D14/216

**OTHER PUBLICATIONS**

Xiaomi Outdoor Bluetooth Speaker Mini, publication date Jan. 13, 2020, [online] URL: <https://itigic.com/xiaomi-outdoor-bluetooth-speaker-mini/> (Year: 2020).\*

(Continued)

*Primary Examiner* — L. A. Grabenstetter  
(74) *Attorney, Agent, or Firm* — Syncoda LLC; Feng Ma

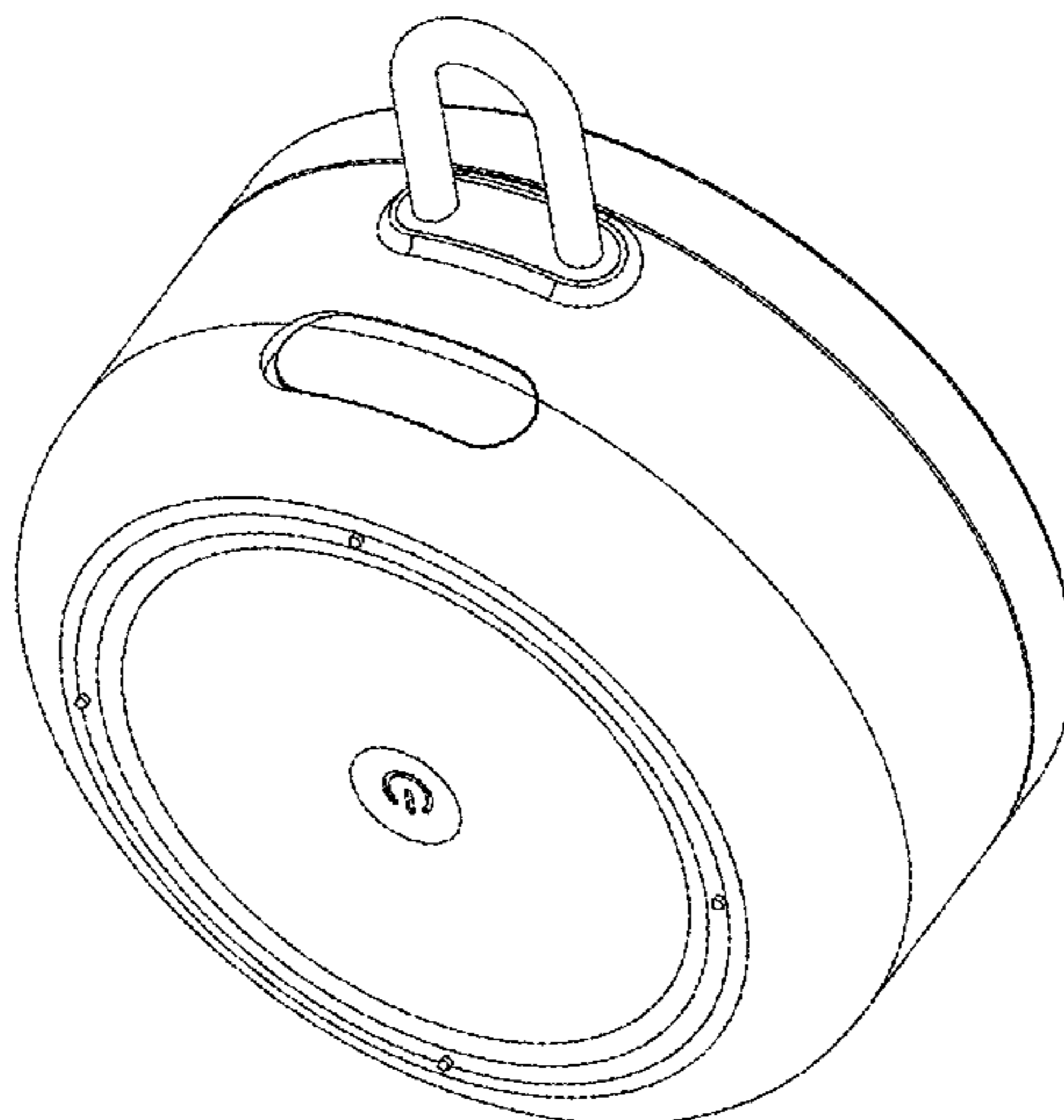
(57) **CLAIM**

The ornamental design for a bluetooth speaker, as shown and described.

**DESCRIPTION**

- 1. Bluetooth speaker
- 1.1 : Front
- 1.2 : Back
- 1.3 : Left
- 1.4 : Right
- 1.5 : Top
- 1.6 : Bottom
- 1.7 : Front Perspective
- 1.8 : Back Perspective

**1 Claim, 8 Drawing Sheets**



(56)

**References Cited**

OTHER PUBLICATIONS

Xiaomi Mi Compact Bluetooth Speaker 2, publication date Aug. 15, 2019, [online] URL: <https://nasilemaktech.com/review-tutorial-xiaomi-mi-compact-bluetooth-speaker-2/> (Year: 2019).\*

Xiaomi Mi Outdoor Bluetooth Speaker, publication date Nov. 14, 2019, [online] URL: <https://www.gizmochina.com/2019/11/14/xiaomi-mi-outdoor-bluetooth-speaker-pictures/> (Year: 2019).\*

House of Marley, No Bounds Outdoor Speaker, upload date May 1, 2018, [online] URL: <https://www.amazon.com/dp/B079V6YXCF> (Year: 2018).\*

JBL Clip 3, Waterproof Portable Bluetooth Speaker, upload date Jun. 30, 2019, [online] URL: <https://www.amazon.com/dp/B07Q6ZWMLR> (Year: 2019).\*

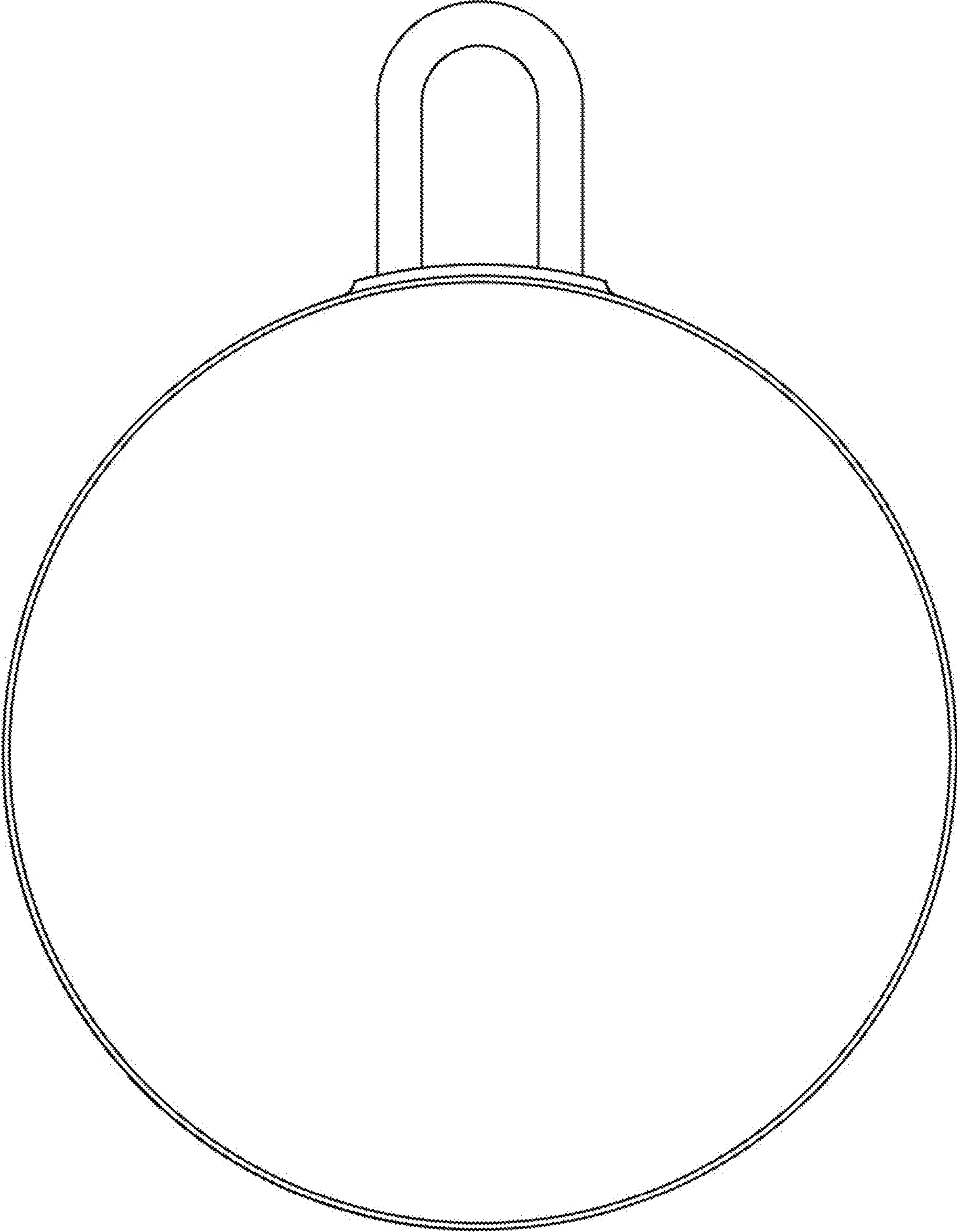
B&O Portable Bluetooth Speaker, upload date Apr. 21, 2016, [online] URL: <https://www.amazon.com/dp/B01DCNTCIW> (Year: 2016).\*

INSIQ World's Smallest Portable Bluetooth Speaker, upload date May 31, 2017, [online] URL: <https://www.amazon.com/Worlds-Smallest-Portable-Bluetooth-Speaker/dp/B077B3G9BG> (Year: 2017).\*

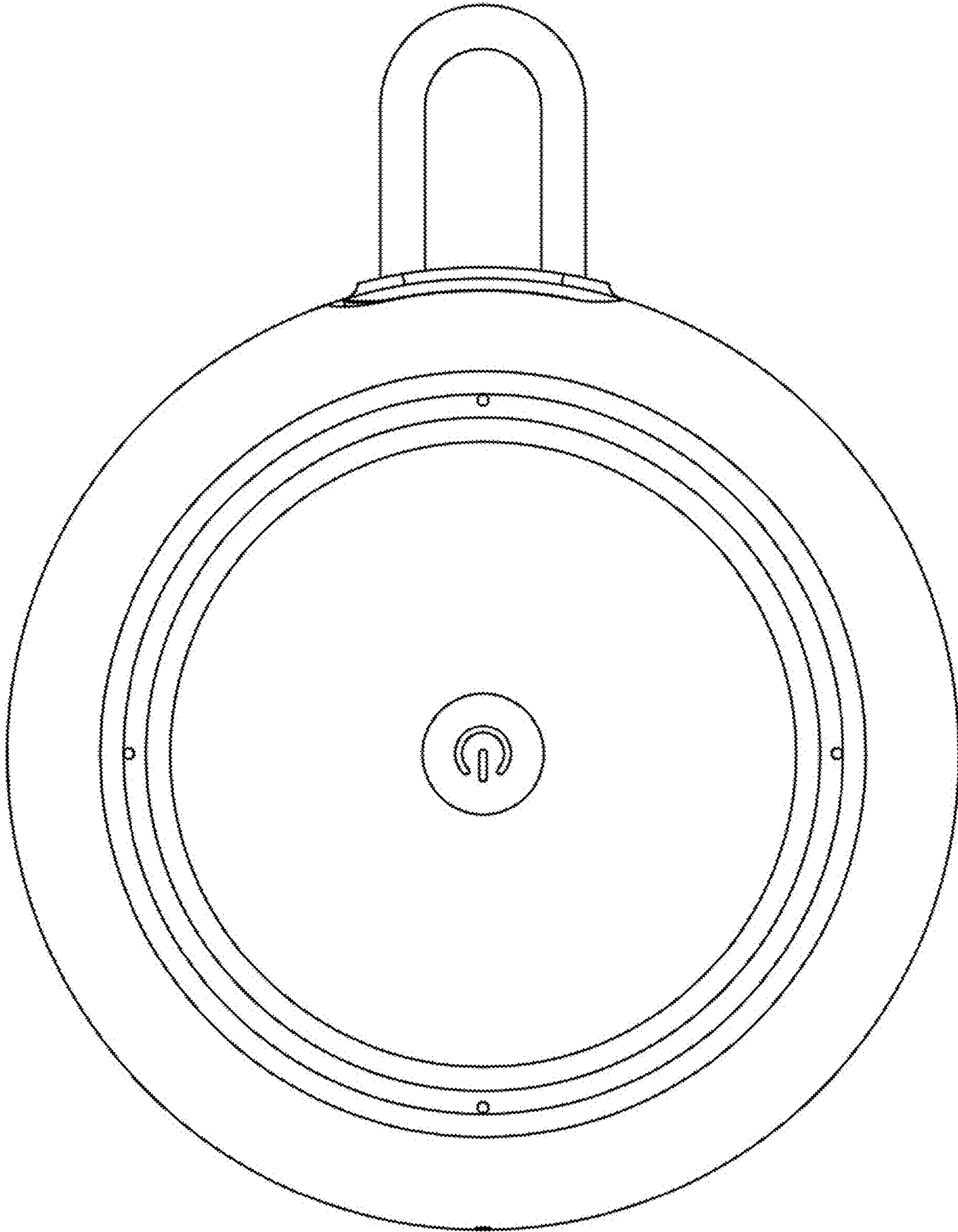
NUBWO Portable Bluetooth Wireless Speaker, upload date Jun. 10, 2017, [online] URL: <https://www.amazon.com/NUBWO-Portable-Bluetooth-Speakerphone-Blackberry/dp/B071GK6193> (Year: 2017).\*

\* cited by examiner

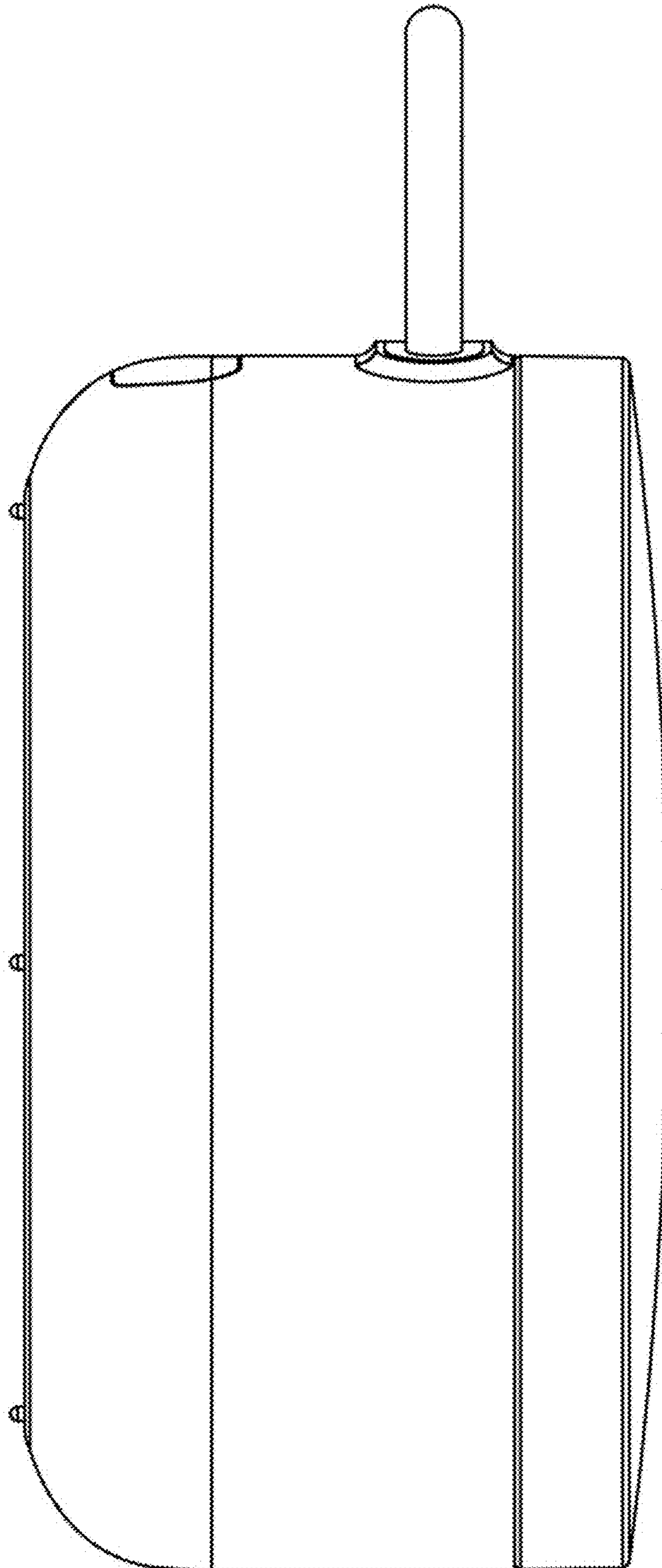
1.1



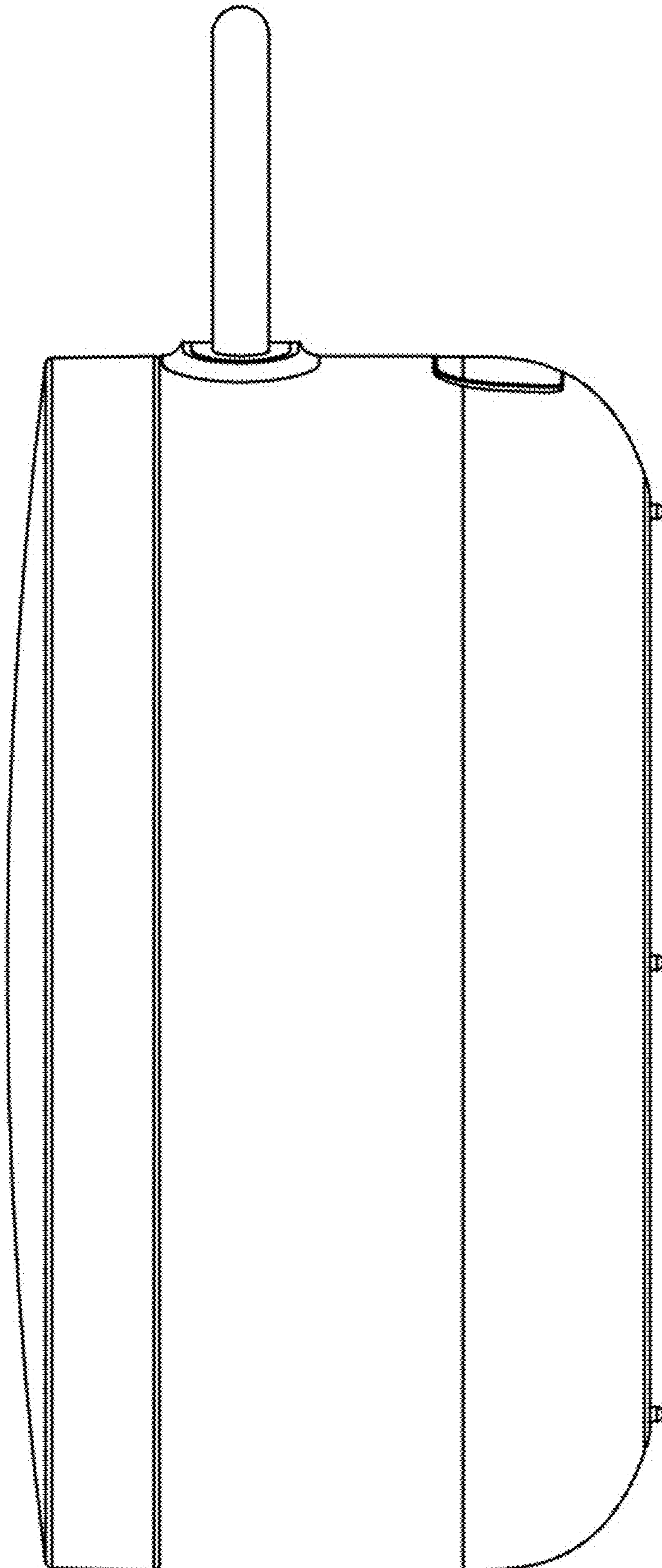
1.2



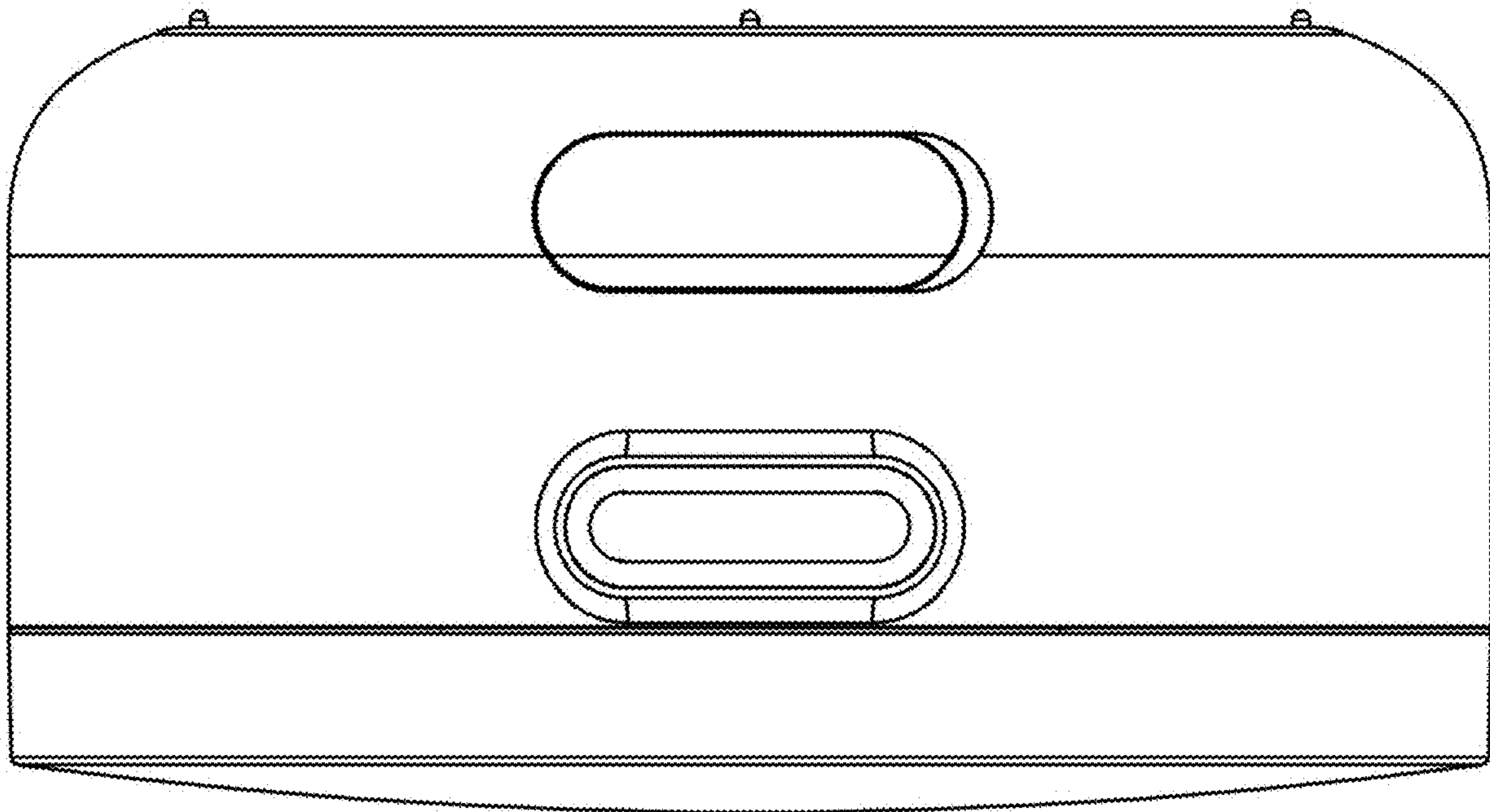
1.3



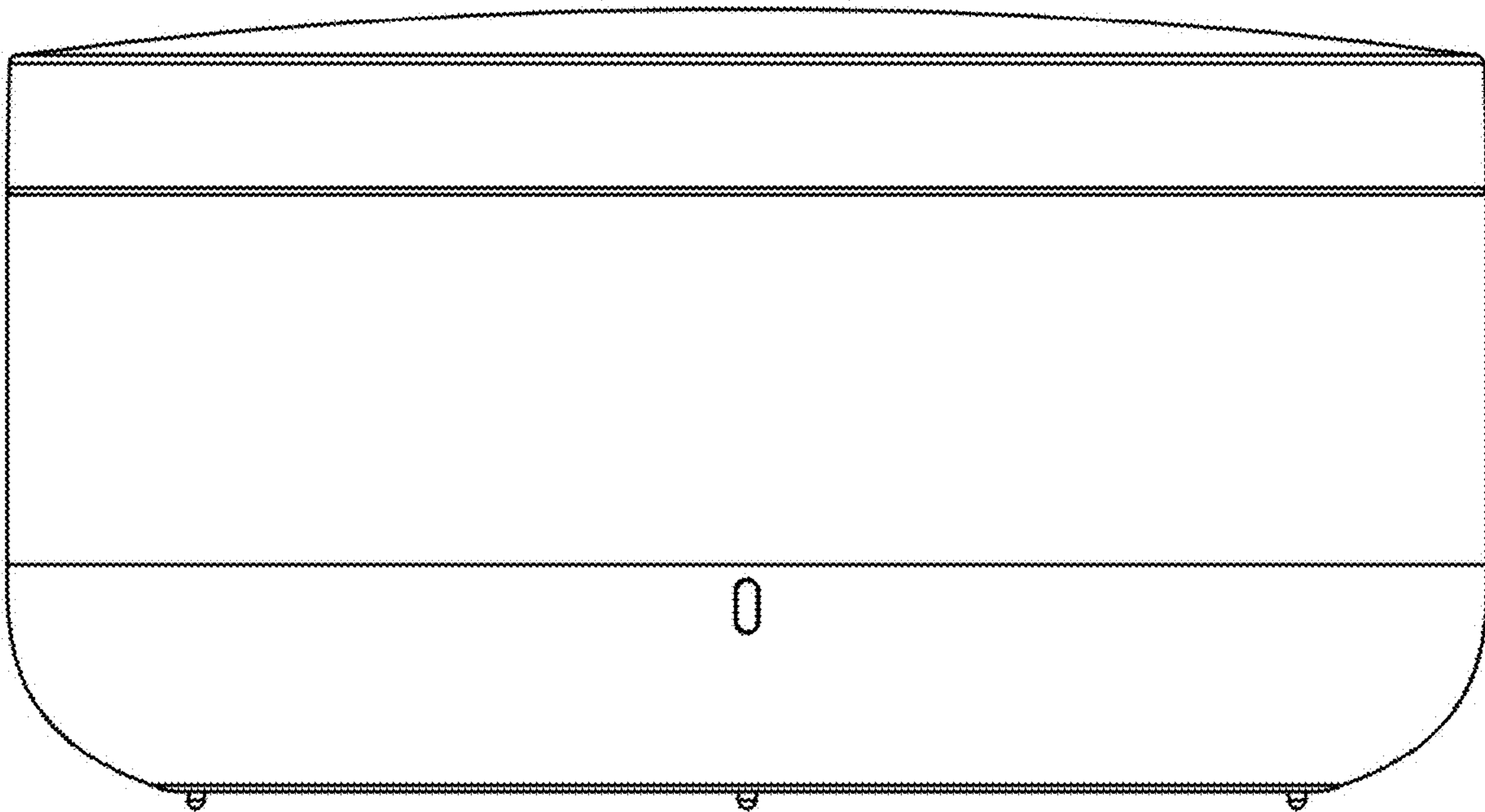
1.4



1.5

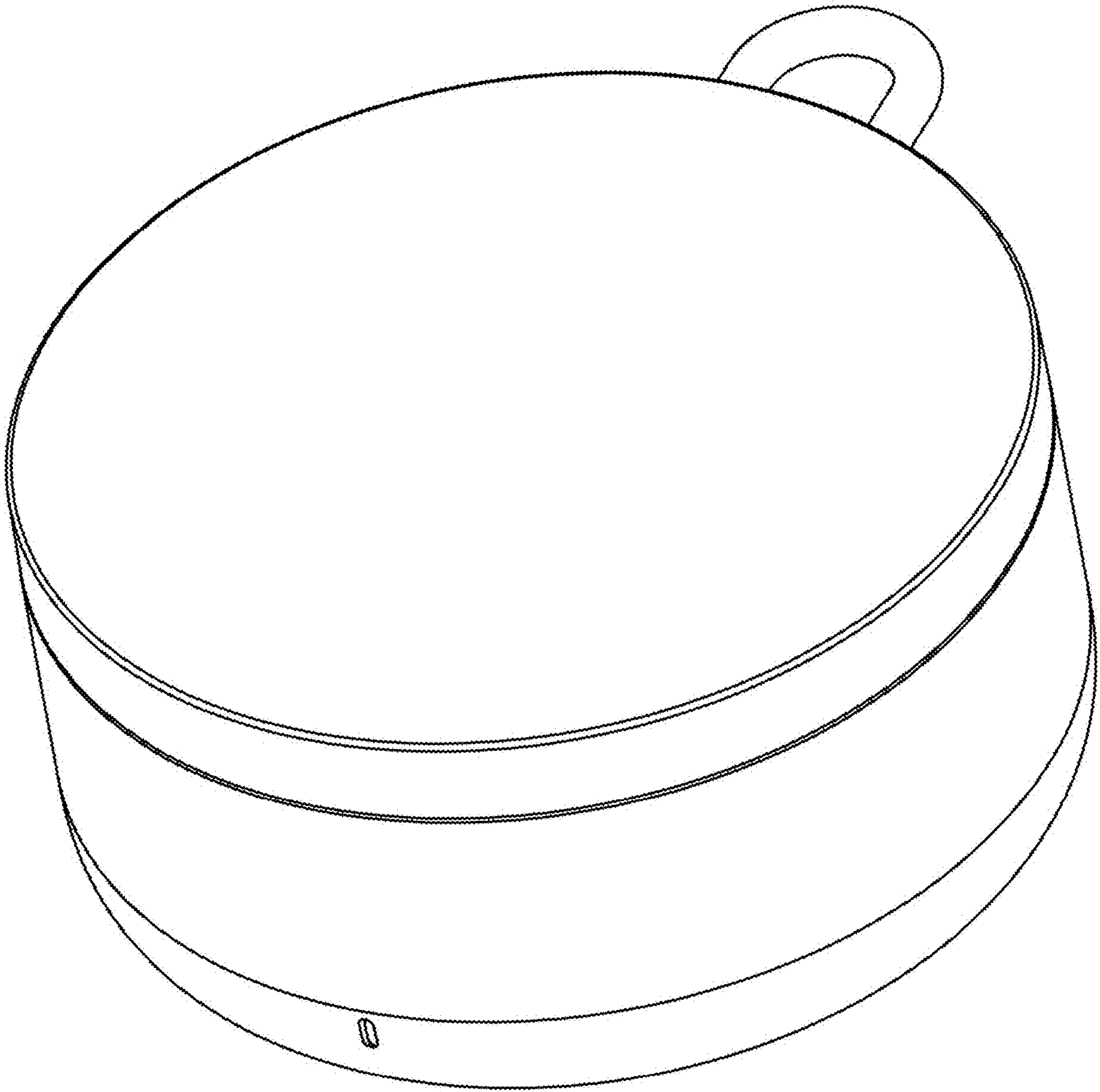


1.6





1.7



1.8

