



US00D933044S

(12) **United States Design Patent** (10) **Patent No.:** **US D933,044 S**  
**Leung et al.** (45) **Date of Patent:** **\*\* Oct. 12, 2021**

(54) **SPEAKER**

(71) Applicant: **Alco Electronics Limited**, Sha Tin (HK)  
(72) Inventors: **Wilson Wai Sing Leung**, Sha Tin (HK); **Wai Lun Wong**, Sha Tin (HK)  
(73) Assignee: **Aleo Electronics Limited**, Sha Tin (HK)

(\*\*) Term: **15 Years**

(21) Appl. No.: **29/715,728**

(22) Filed: **Dec. 4, 2019**

(30) **Foreign Application Priority Data**

Jun. 6, 2019 (HK) ..... 1913910.6M002

(51) **LOC (13) Cl.** ..... **14-01**

(52) **U.S. Cl.**  
USPC ..... **D14/214**

(58) **Field of Classification Search**  
USPC ..... D14/209–219, 167–168, 170–172, 188, D14/199, 194–196, 204, 221–222, 224, D14/496, 265; D21/516, 513  
CPC ..... H04R 1/02; H04R 1/021; H04R 1/023; H04R 5/00; H04R 9/06; H04R 2420/07; H04R 1/025; H04R 1/026; H04R 1/26; H04R 1/2888; H04R 1/403; H04R 5/02; H04R 19/02; H04R 2400/00  
See application file for complete search history.

(56) **References Cited**

**U.S. PATENT DOCUMENTS**

D621,384 S \* 8/2010 Kao ..... D14/214  
D700,166 S \* 2/2014 Petersen ..... D14/204  
D718,277 S \* 11/2014 Yamamoto ..... D14/214  
D729,761 S \* 5/2015 Hu ..... D14/194  
D729,762 S \* 5/2015 Hu ..... D14/194

D742,360 S \* 11/2015 Narita ..... D14/216  
D758,344 S \* 6/2016 Nakamura ..... D14/214  
D780,712 S \* 3/2017 Poandl ..... D14/171  
D788,073 S \* 5/2017 Silvera ..... D14/214  
D817,187 S \* 5/2018 Poandl ..... D10/15  
D864,890 S \* 10/2019 Henning ..... D14/172  
D881,845 S \* 4/2020 Warnhammar ..... D14/214  
D886,794 S \* 6/2020 Johnson ..... D14/204

(Continued)

**OTHER PUBLICATIONS**

Bang & Olufsen Beolit Portable Wireless Bluetooth, first available Oct. 29, 2020, amazon.com, [online], [site visited Nov. 24, 2020], Available from internet URL: [https://www.amazon.com/Bang-Olufsen-Powerful-Portable-Bluetooth/dp/B08GKVL7FN/ref=sr\\_1\\_1951?dchild=1&keywords=speaker&qid=160623](https://www.amazon.com/Bang-Olufsen-Powerful-Portable-Bluetooth/dp/B08GKVL7FN/ref=sr_1_1951?dchild=1&keywords=speaker&qid=160623) (Year: 2020).\*

(Continued)

*Primary Examiner* — Samantha Q Lawrence

*Assistant Examiner* — Holly M Rodriguez

(74) *Attorney, Agent, or Firm* — Leydig, Voit & Mayer; John Augustyn

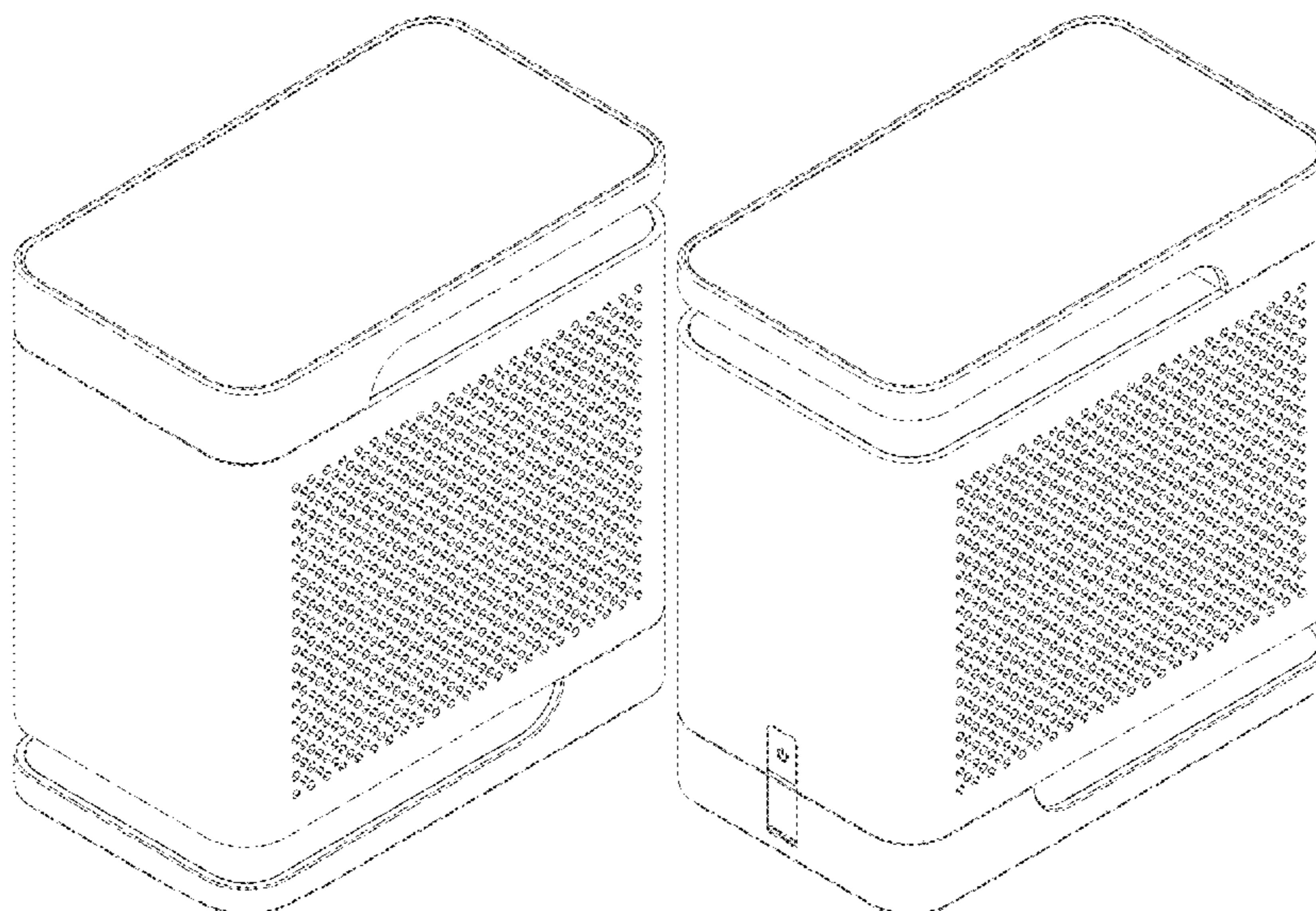
(57) **CLAIM**

The ornamental design for a speaker, as shown and described.

**DESCRIPTION**

FIG. 1 is a front perspective view of a speaker of the present invention;  
FIG. 2 is a rear perspective view thereof;  
FIG. 3 is a front view thereof;  
FIG. 4 is a rear view thereof;  
FIG. 5 is a top plan view thereof;  
FIG. 6 is a bottom plan view thereof;  
FIG. 7 is a left side view thereof; and,  
FIG. 8 is a right side view thereof.  
The broken lines shown in FIG. 6 illustrate portions of the speaker that form no part of the claimed design.

**1 Claim, 7 Drawing Sheets**



(56)

**References Cited**

U.S. PATENT DOCUMENTS

D890,133 S \* 7/2020 Zhu ..... D14/214  
2019/0289251 A1 \* 9/2019 Kim ..... H04R 1/028

OTHER PUBLICATIONS

DOSS SoundBoxXL 32W Bluetooth Home Speakers, first available Jun. 21, 2017, amazon.com, [online], [site visited Nov. 24, 2020], Available from internet URL: [https://www.amazon.com/SoundBox-XL-Bluetooth-Speakers-Subwoofer/dp/B071JN4FW6/ref=sr\\_1\\_2354\\_sspa?dchild=1&keywords=speaker&qid=16%E2%80%A6](https://www.amazon.com/SoundBox-XL-Bluetooth-Speakers-Subwoofer/dp/B071JN4FW6/ref=sr_1_2354_sspa?dchild=1&keywords=speaker&qid=16%E2%80%A6) (Year: 2017).\*

\* cited by examiner



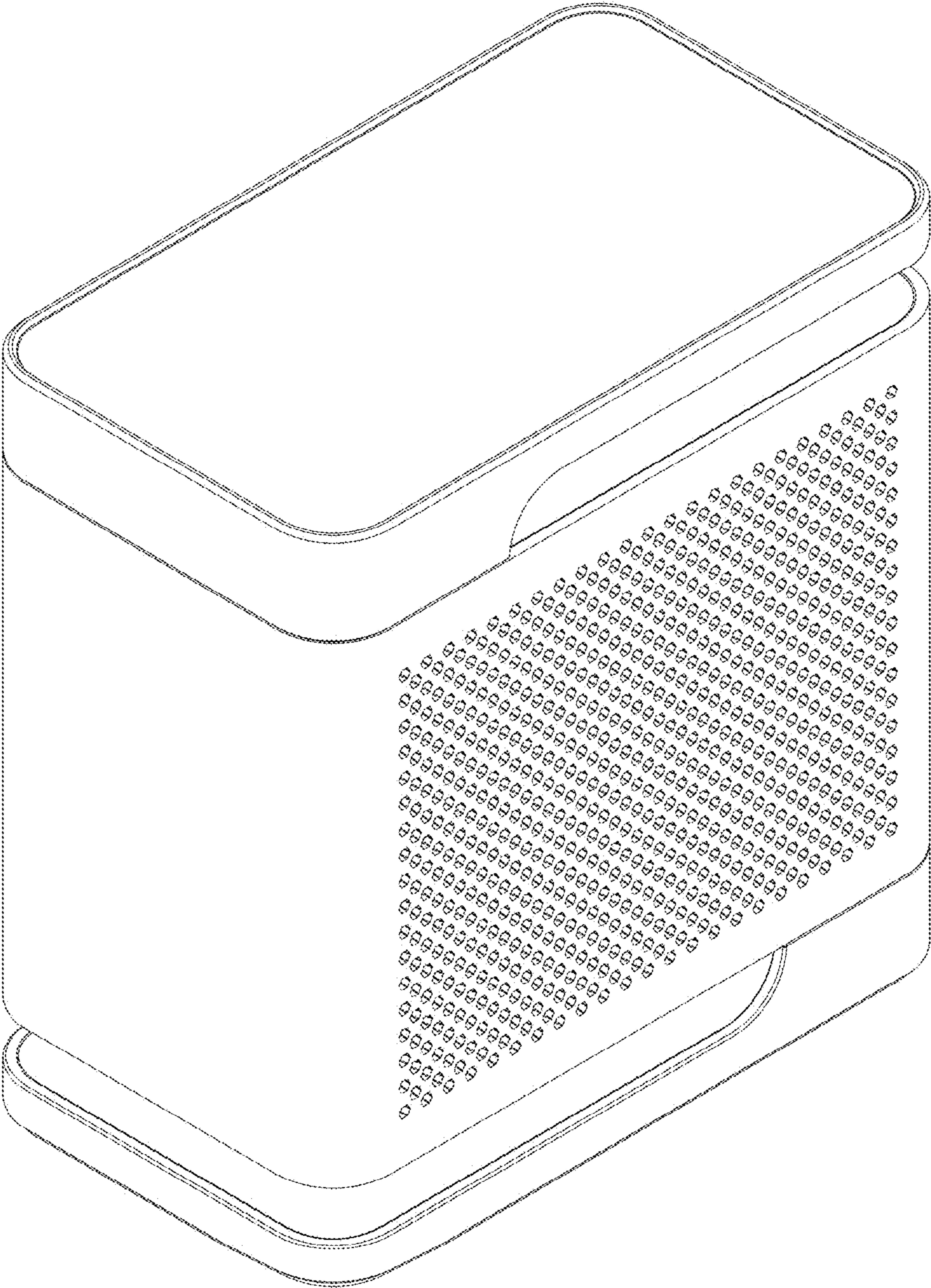


Figure 1

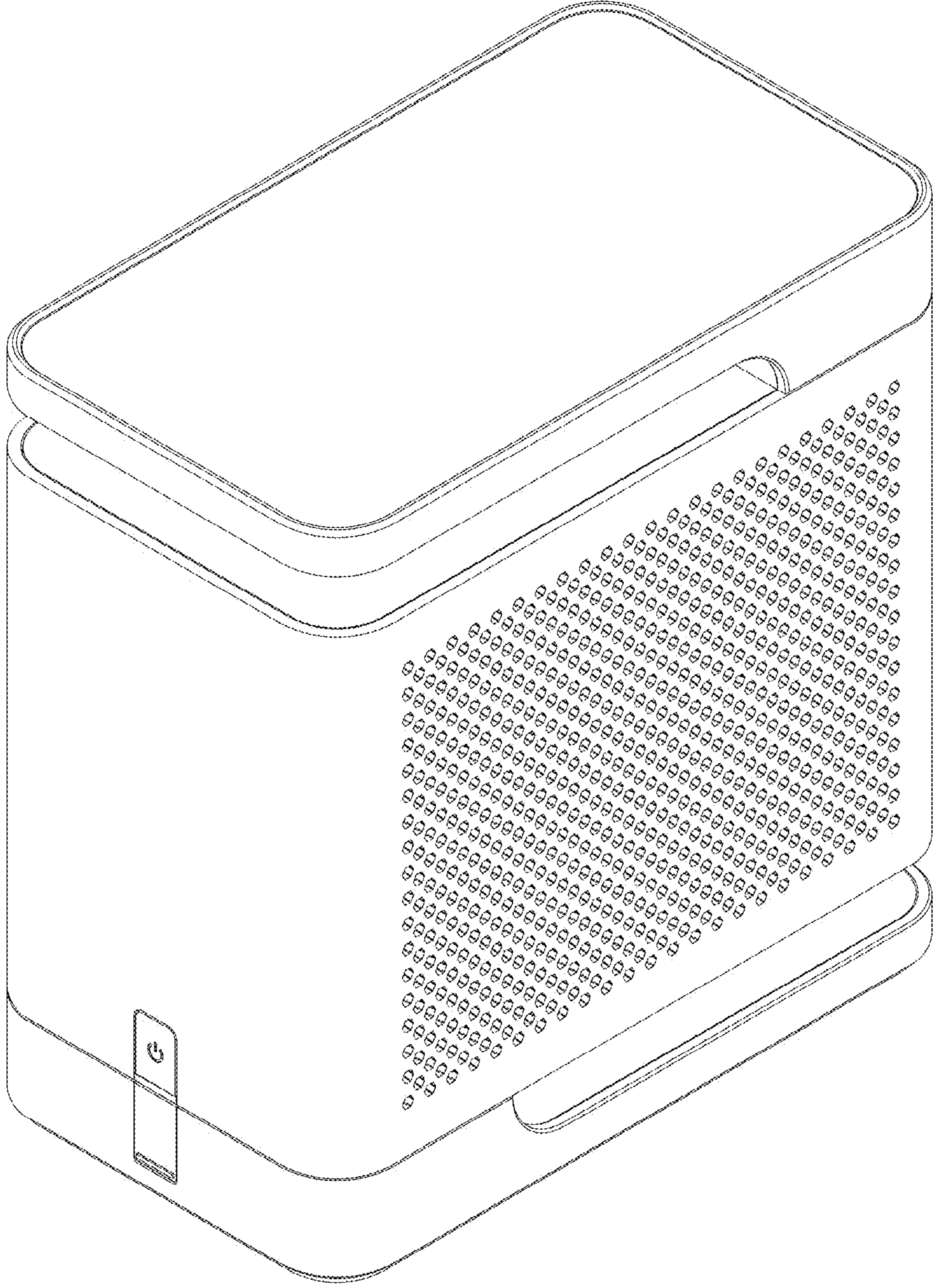


Figure 2



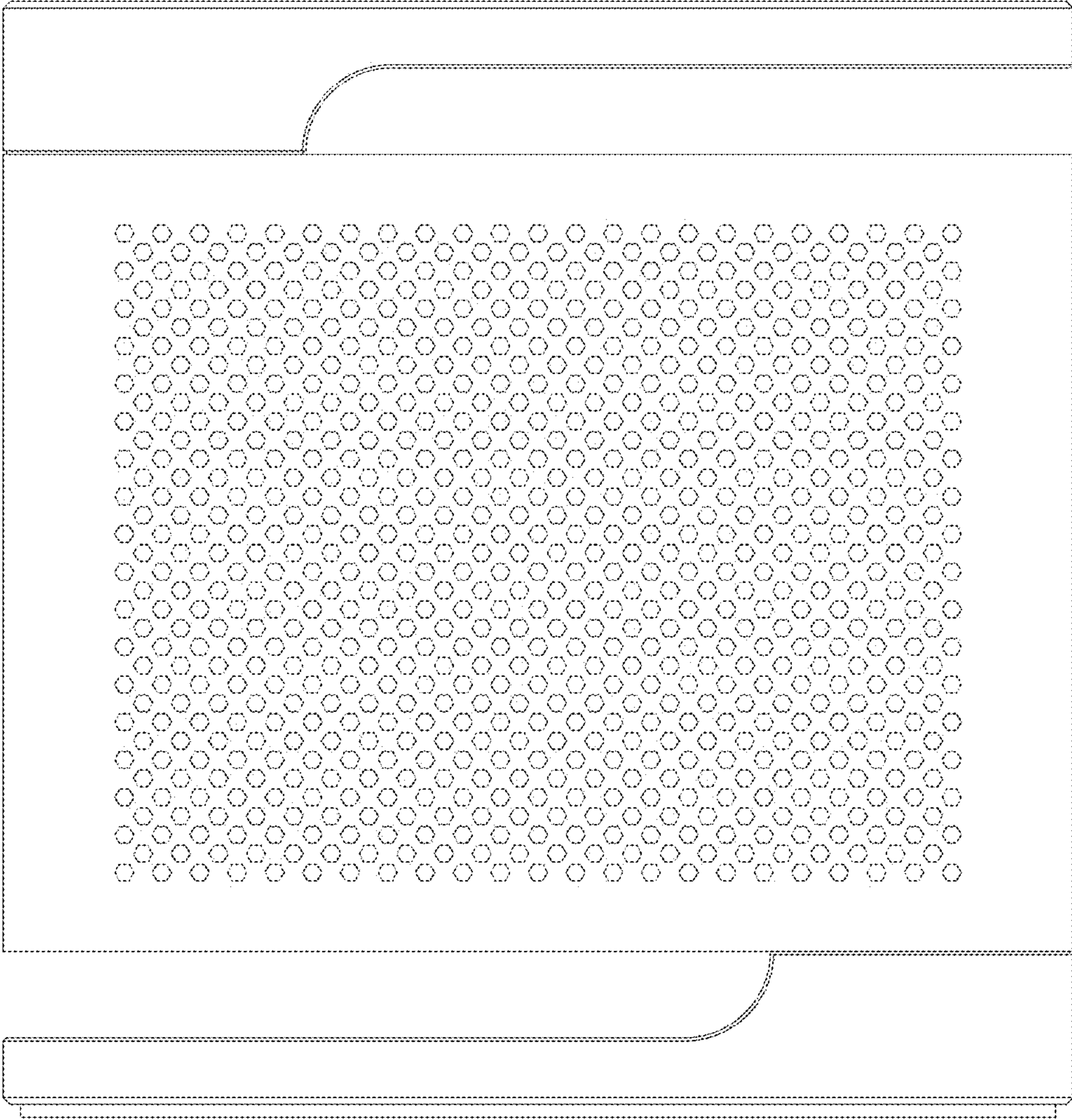


Figure 3

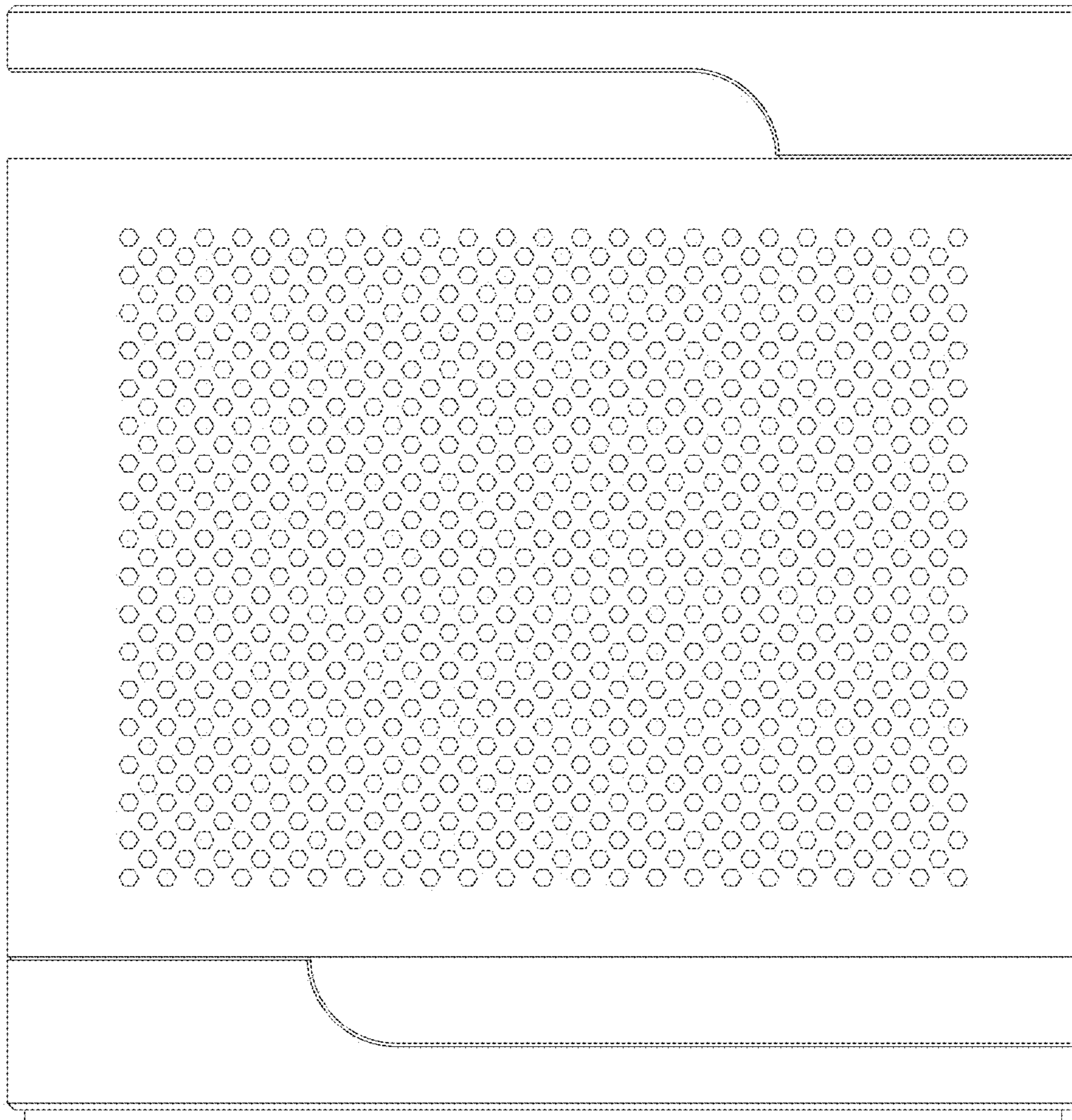


Figure 4

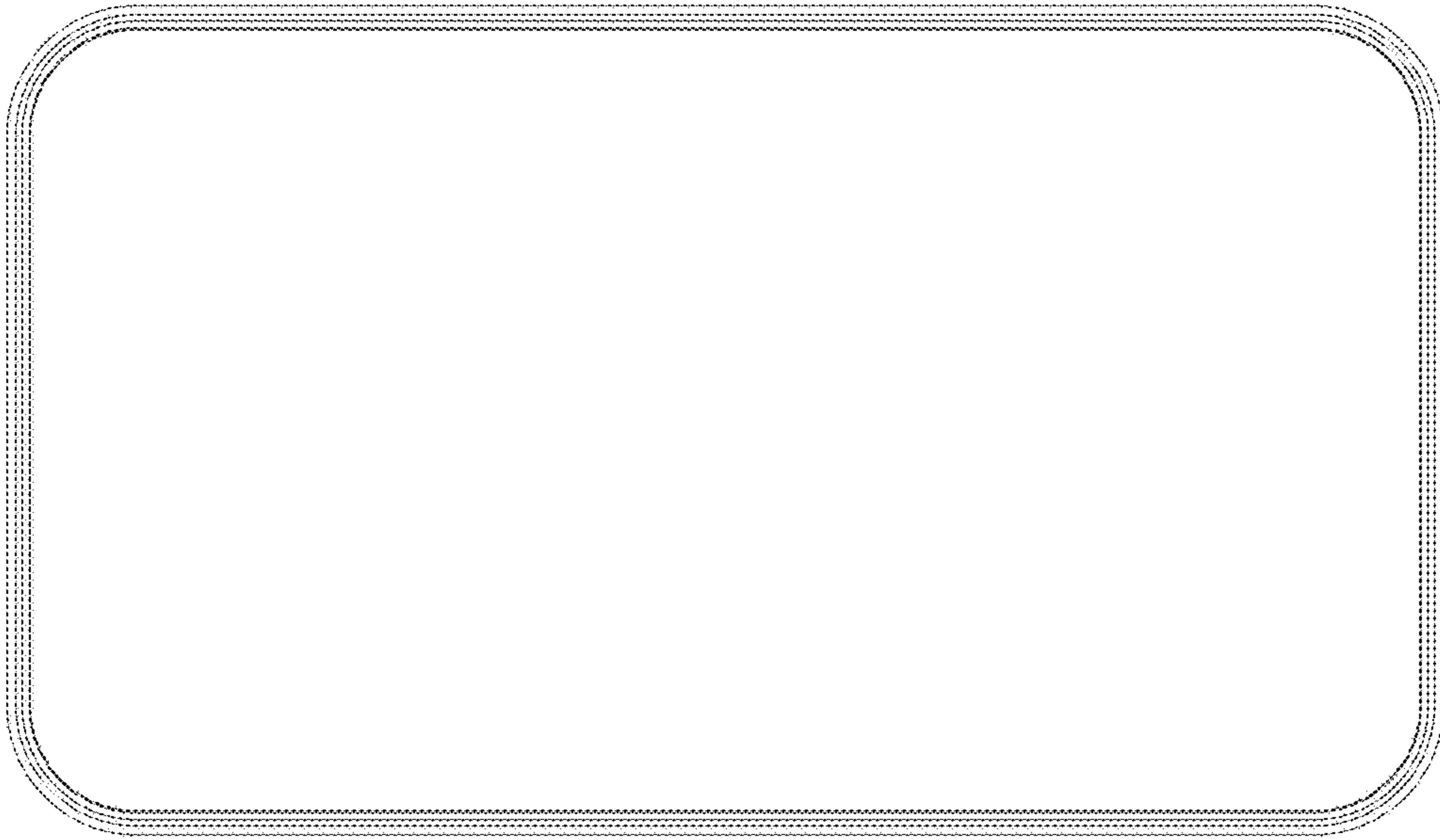


Figure 5

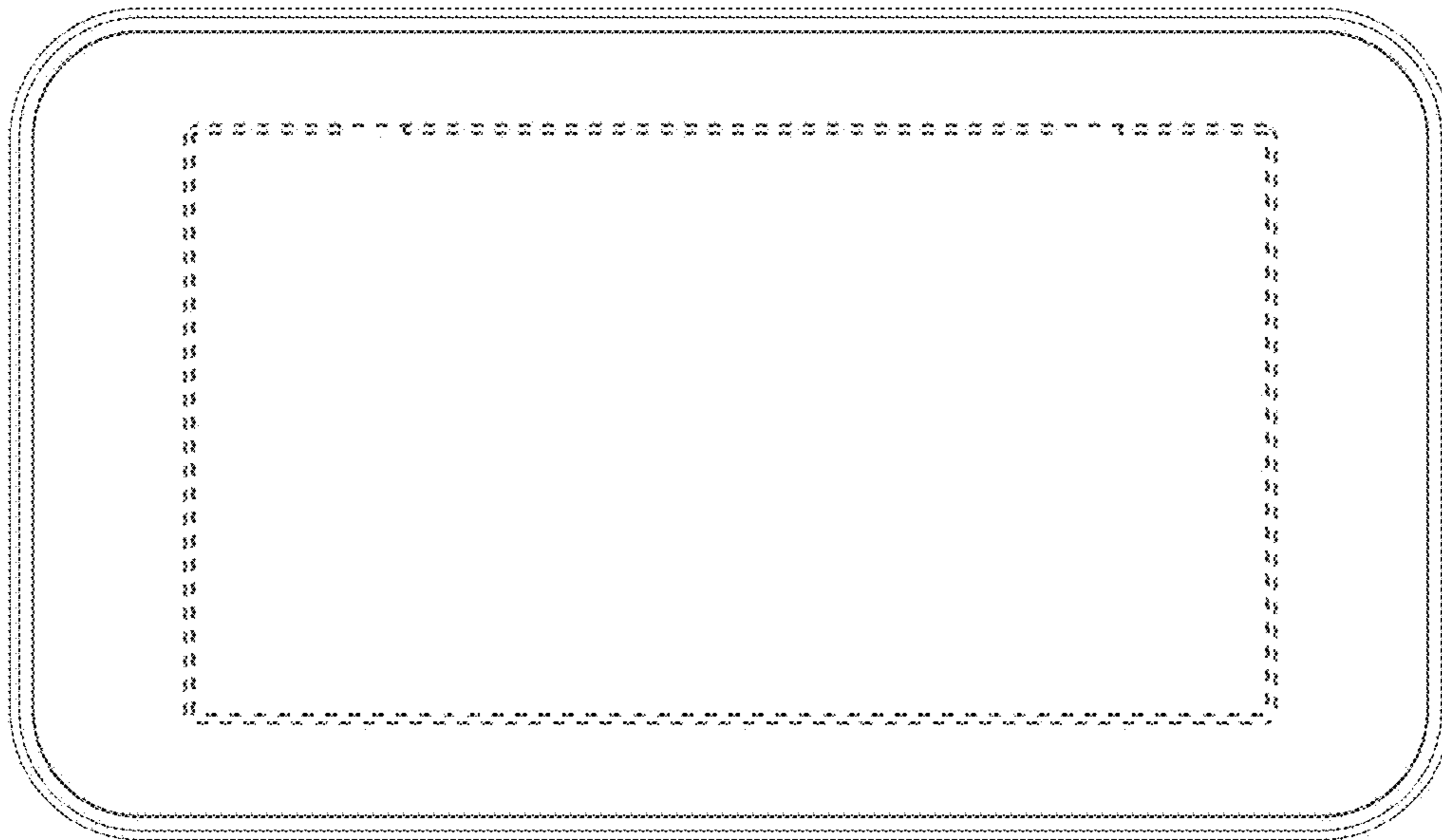


Figure 6



Figure 7



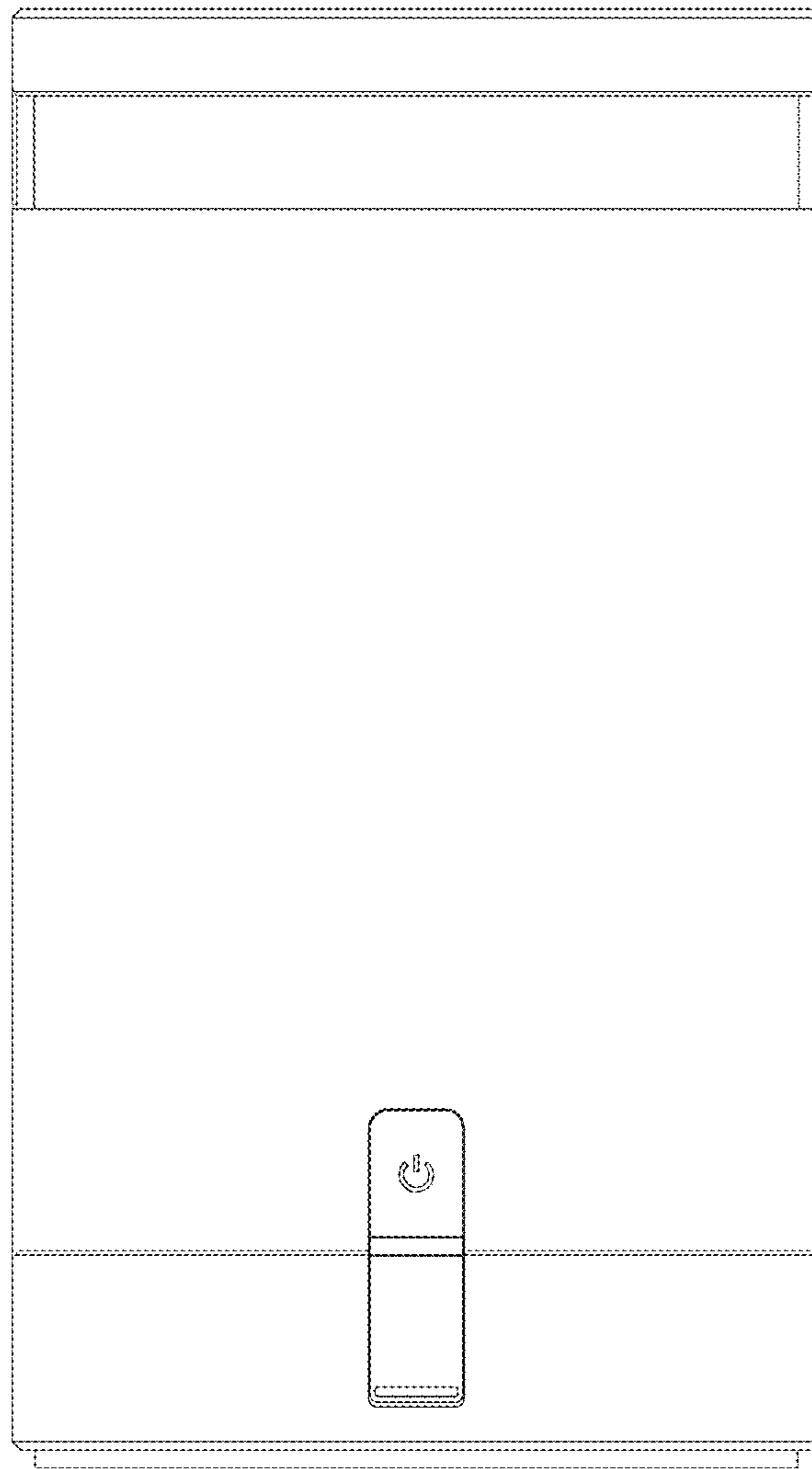


Figure 8