



US00D933043S

(12) **United States Design Patent** (10) **Patent No.:** **US D933,043 S**
Liu et al. (45) **Date of Patent:** **** Oct. 12, 2021**

(54) **HEADSET**

(71) Applicant: **Liu jia Liu**, Shantou (CN)

(72) Inventors: **Liu jia Liu**, Shantou (CN); **Chunyi Cai**, Shantou (CN)

(73) Assignee: **Liu jia Liu**, Shantou (CN)

(**) Term: **15 Years**

(21) Appl. No.: **29/764,820**

(22) Filed: **Jan. 4, 2021**

(30) **Foreign Application Priority Data**

Sep. 4, 2020 (CN) 202030520332.9

(51) **LOC (13) Cl.** **14-01**

(52) **U.S. Cl.**
USPC **D14/206**; D14/226

(58) **Field of Classification Search**
USPC D14/206, 225, 226, 188, 192, 207, 205;
D29/112; 2/209, 172, 195.1, 209.13;
381/380, 381, 374; D21/617, 660, 600;
D19/116; D28/41; 132/273, 277, 276;
466/370, 485

CPC H04R 25/00; H04R 25/02; H04R 1/1066;
H04R 1/1016; H04R 5/033; H04R
5/0335; H04R 19/04; H04R 1/10

See application file for complete search history.

(56) **References Cited**

U.S. PATENT DOCUMENTS

D123,685 S * 11/1940 Sokoloff D21/617
D155,702 S * 10/1949 Ganine D21/617
D166,603 S * 4/1952 Hartman D7/302
D180,052 S * 4/1957 Young D2/869
4,547,171 A * 10/1985 Horimoto A63H 3/02
446/370
D328,074 S * 7/1992 Yamazaki D14/205

D386,181 S * 11/1997 Fisher D14/192
D405,449 S * 2/1999 Nakamura D14/205
D482,393 S * 11/2003 Hui D19/116
D512,708 S * 12/2005 Harris, Jr. D14/205
D534,155 S * 12/2006 Obata D14/205
D576,604 S * 9/2008 Suzuki D14/205
D625,703 S * 10/2010 Kolton D14/205
D634,732 S * 3/2011 Kondo D14/205
D635,957 S * 4/2011 Hirano D14/205
D643,065 S * 8/2011 van der Lande D19/142
D657,006 S * 4/2012 Wallick D21/617
D662,080 S * 6/2012 Carr D14/205
D665,775 S * 8/2012 Katsumata D14/205
8,363,877 B2 * 1/2013 Morisawa H04R 5/0335
381/383

(Continued)

FOREIGN PATENT DOCUMENTS

EM 004669943-0001 * 1/2018
EM 007075395-0001 * 10/2019

(Continued)

Primary Examiner — Paula Allen Greene

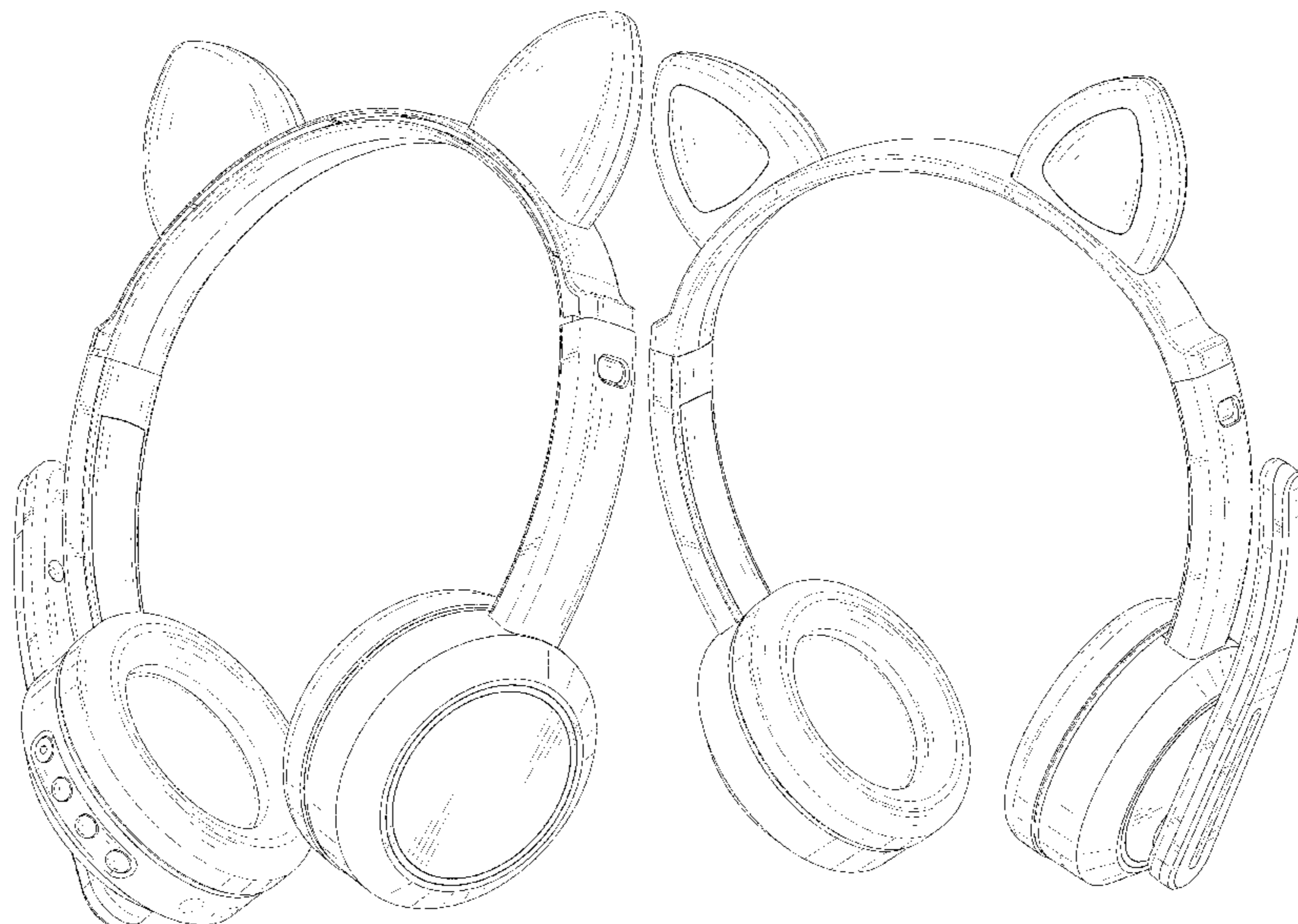
(57) **CLAIM**

The ornamental design for a headset, as shown and described.

DESCRIPTION

FIG. 1 is a perspective view of a headset showing my new design;
FIG. 2 is another perspective view thereof;
FIG. 3 is a front elevational view thereof;
FIG. 4 is a rear elevational view thereof;
FIG. 5 is a left side elevational view thereof;
FIG. 6 is a right side elevational view thereof;
FIG. 7 is a top plan view thereof; and,
FIG. 8 is a bottom plan view thereof.
The broken lines in the drawings depict portions of the headset that form no part of the claimed design.

1 Claim, 8 Drawing Sheets



(56)

References Cited

U.S. PATENT DOCUMENTS

D683,329 S * 5/2013 Hagelin D14/205
 D685,283 S * 7/2013 Katoh D11/1
 D699,702 S * 2/2014 Chen D14/205
 D717,764 S * 11/2014 Lee D14/205
 D719,136 S * 12/2014 Schaal D14/206
 D757,679 S * 5/2016 Yan D14/205
 D758,508 S * 6/2016 Chuang D21/630
 D791,103 S * 7/2017 Brunner D14/205
 D791,733 S * 7/2017 Brunner D14/205
 D794,837 S * 8/2017 Rintamaki D26/2
 D801,948 S * 11/2017 Picunko D14/205
 D806,674 S 1/2018 Zhang
 D813,195 S * 3/2018 Huang D14/205
 D851,064 S * 6/2019 Wang D14/206
 D851,624 S * 6/2019 Huang D14/205
 D851,627 S * 6/2019 ter Laag D14/205
 D854,513 S * 7/2019 Miyake D14/205
 D858,483 S * 9/2019 Hu D14/205
 D863,253 S * 10/2019 He D14/205
 D868,026 S * 11/2019 Hardi D14/205
 D868,734 S 12/2019 Wang
 D869,433 S * 12/2019 Huan D14/205
 D869,437 S * 12/2019 Hu D14/205
 D870,069 S * 12/2019 Hu D14/206
 D871,367 S * 12/2019 Zhijun D14/205
 D879,066 S * 3/2020 Chen D14/205
 D879,742 S * 3/2020 Hu D14/205
 D884,669 S * 5/2020 Zhong D14/205

D887,391 S * 6/2020 Chong D14/205
 D888,008 S * 6/2020 Yook D14/205
 D889,431 S * 7/2020 Huang D14/205
 D890,124 S * 7/2020 ShiXing D14/205
 D891,399 S * 7/2020 Chen D14/206
 D892,080 S * 8/2020 Krakovski D14/205
 D893,454 S * 8/2020 Li D14/206
 D894,869 S * 9/2020 Tang D14/206
 D896,203 S * 9/2020 Tong D14/206
 D901,437 S * 11/2020 ShiXing D14/205
 D902,176 S * 11/2020 Huang D14/205
 D909,989 S * 2/2021 Lu D14/205
 D914,635 S * 3/2021 Tong D14/205
 D915,348 S * 4/2021 He D14/206
 D926,154 S * 7/2021 Tong D14/206
 D928,115 S * 8/2021 Huang D14/205
 2009/0032051 A1 * 2/2009 Defenbaugh A45D 8/20
 132/277
 2016/0088383 A1 * 3/2016 Yan H04R 5/0335
 381/378
 2020/0288234 A1 * 9/2020 Fletcher H04R 1/1008

FOREIGN PATENT DOCUMENTS

EM 007685730-0001 * 2/2020
 EM 008276281-0001 * 11/2020
 EM 008538060-0001 * 5/2021
 GB 9008190300-0001 * 9/2020
 GB 6103038 * 10/2020

* cited by examiner

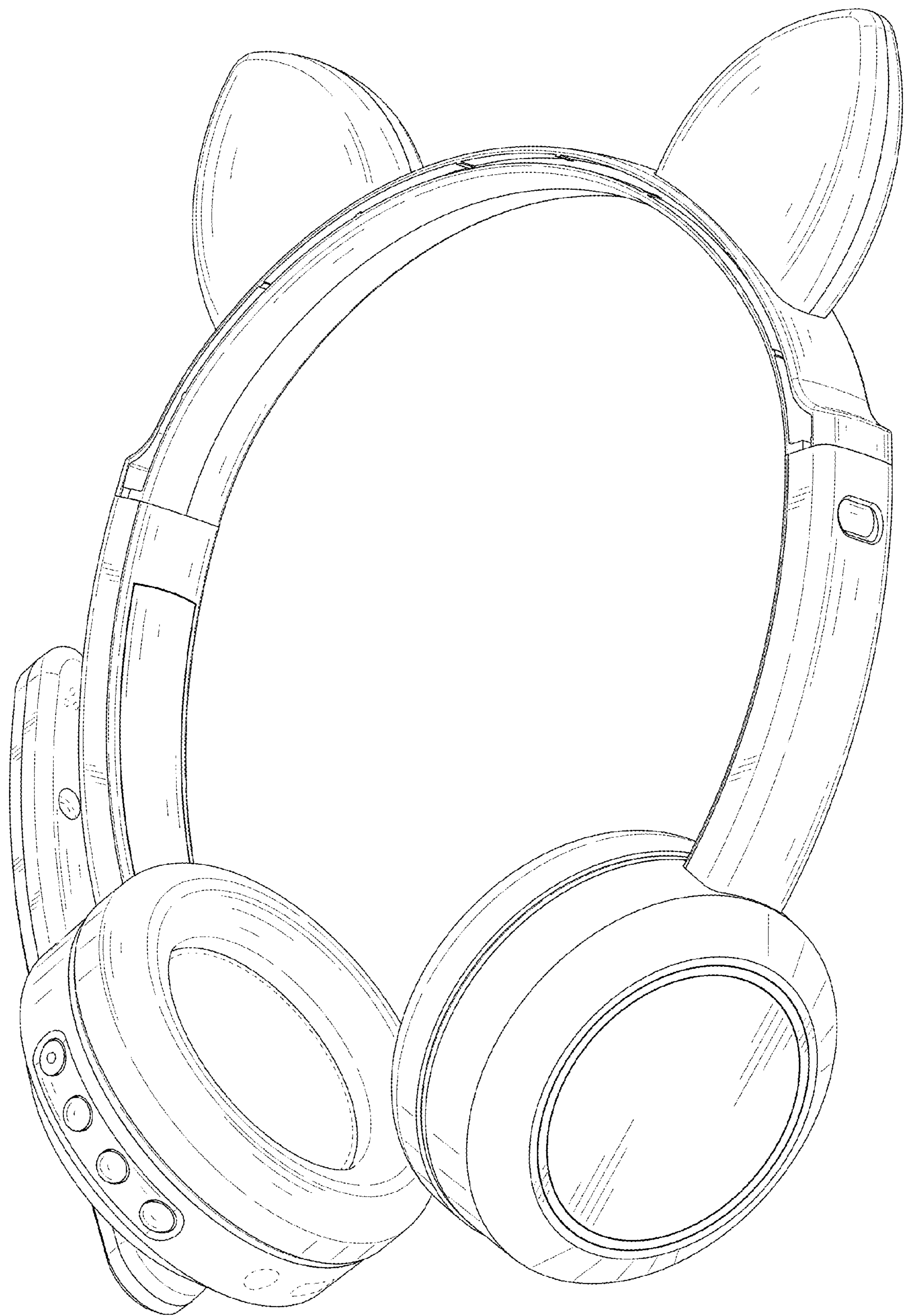


FIG. 1

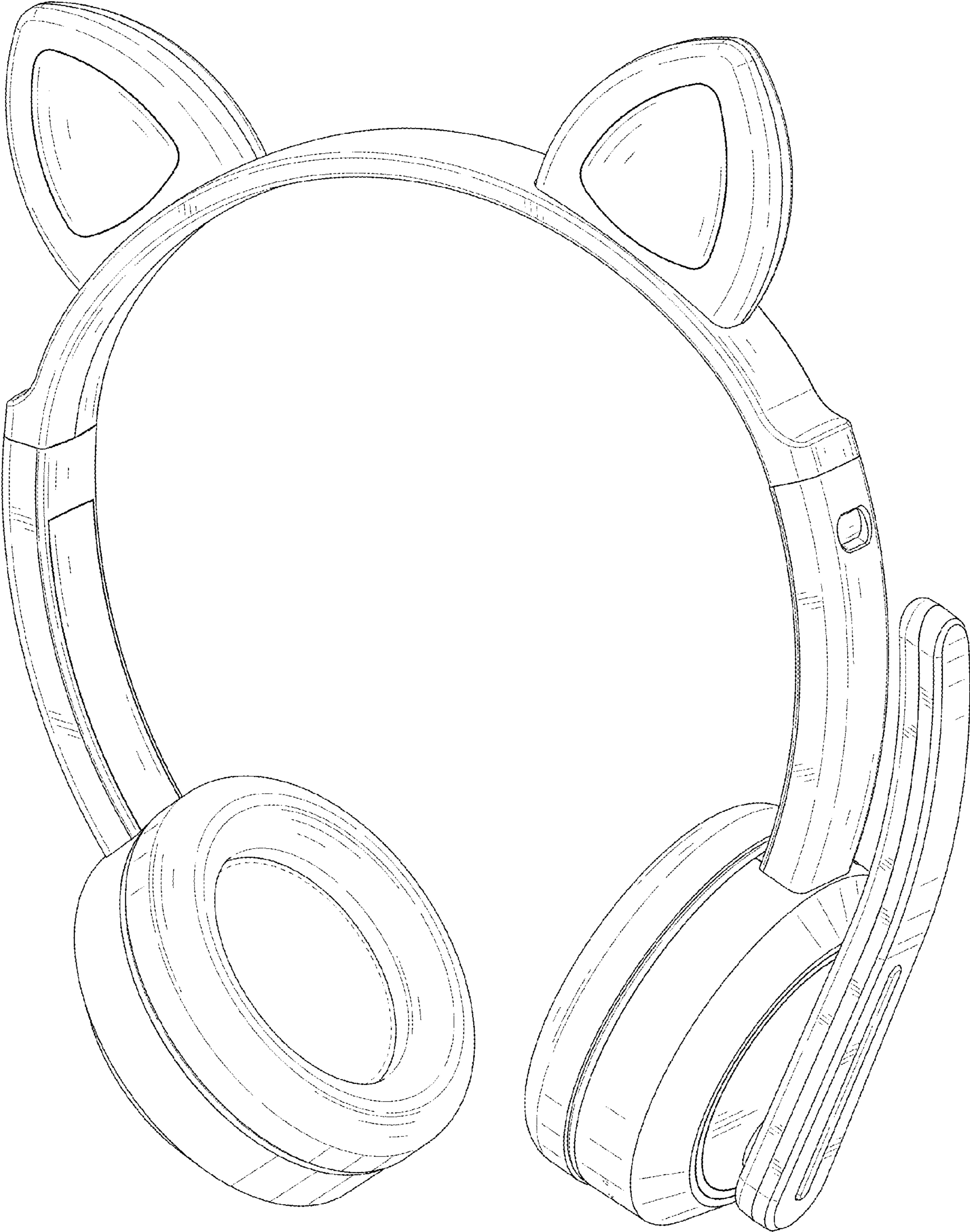


FIG. 2

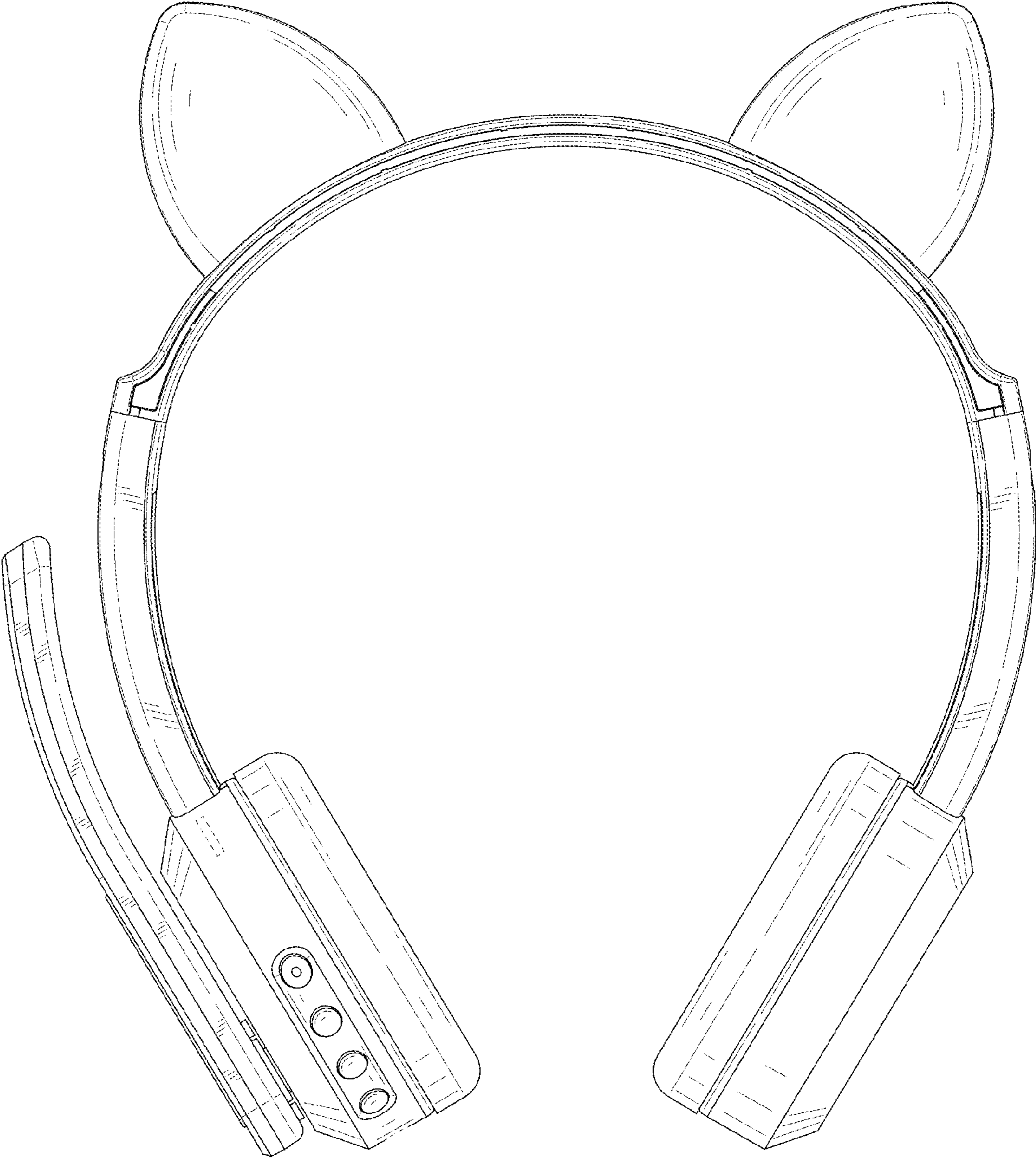


FIG. 3



FIG. 4

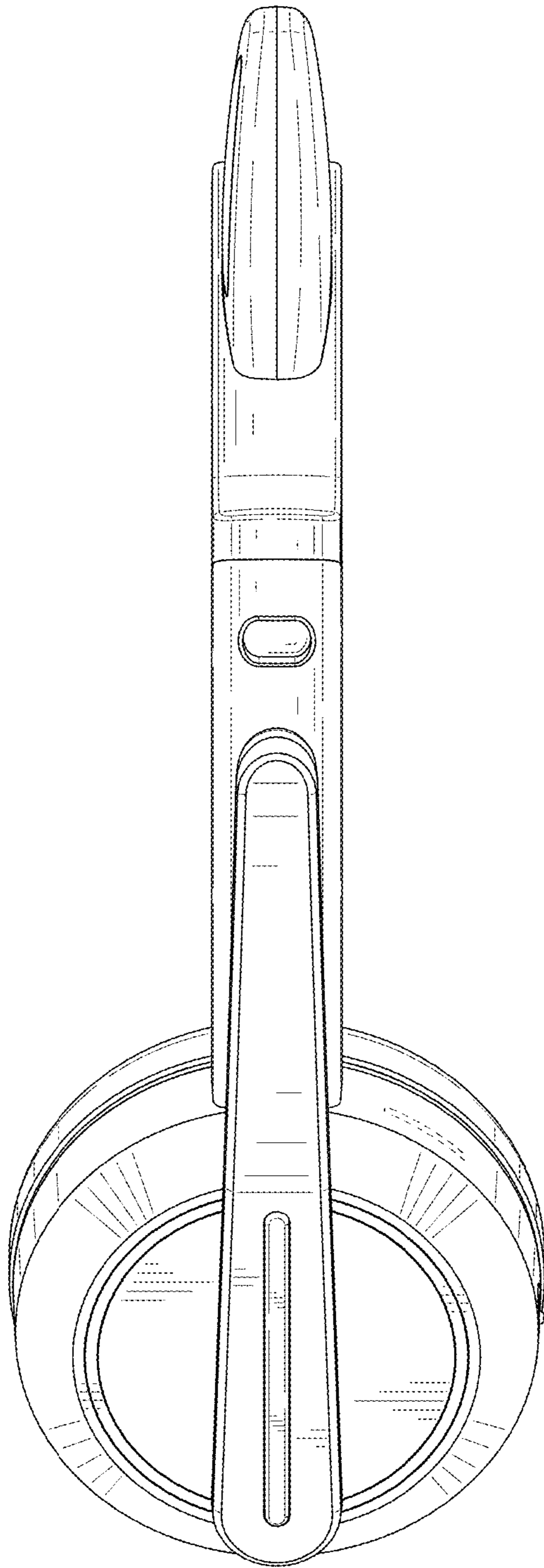


FIG. 5

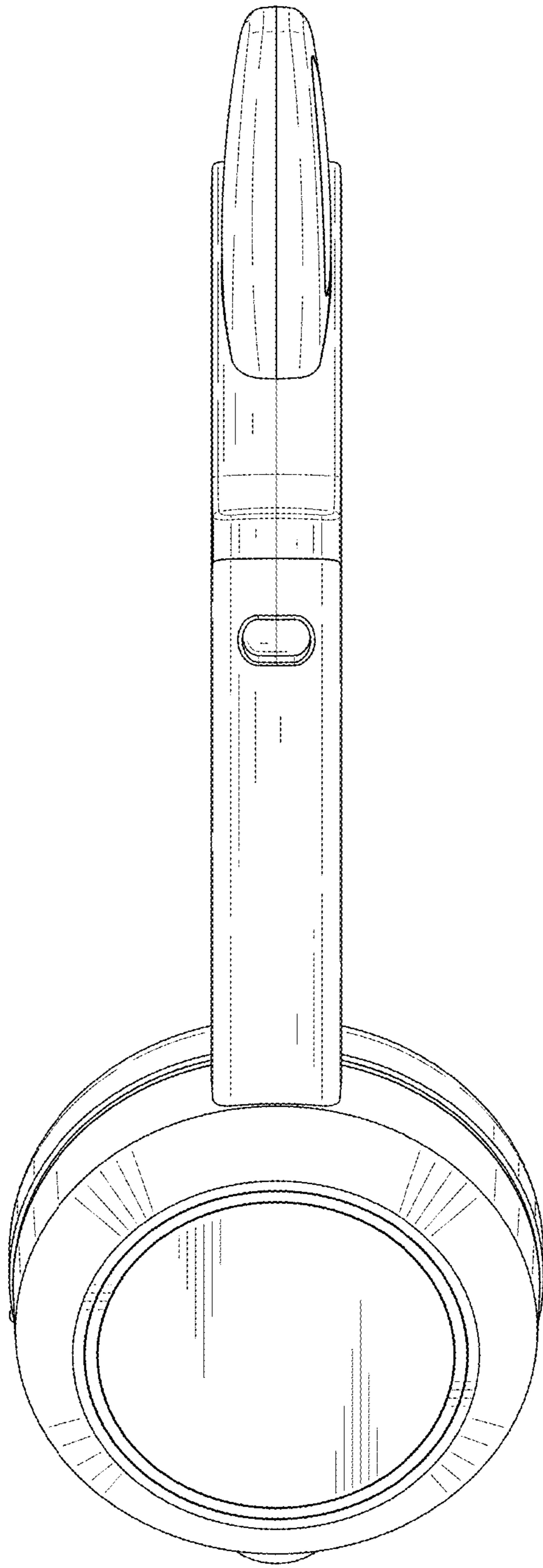


FIG. 6

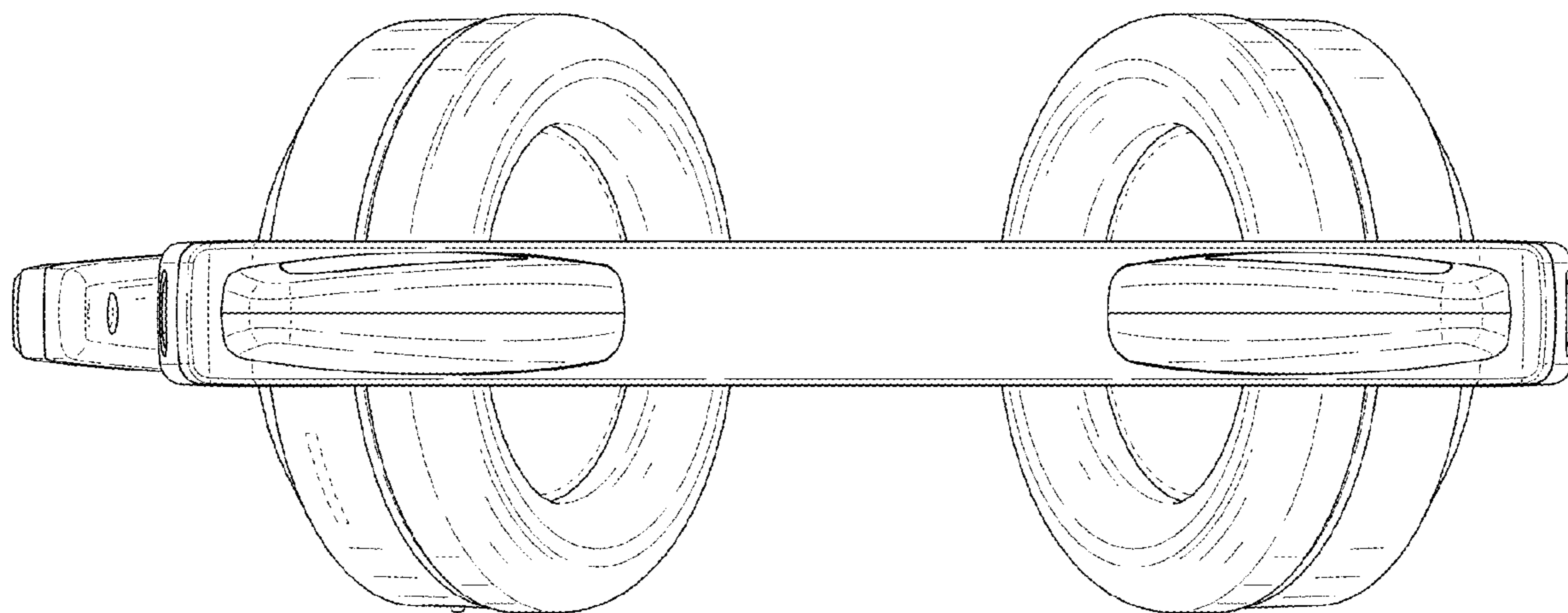


FIG. 7

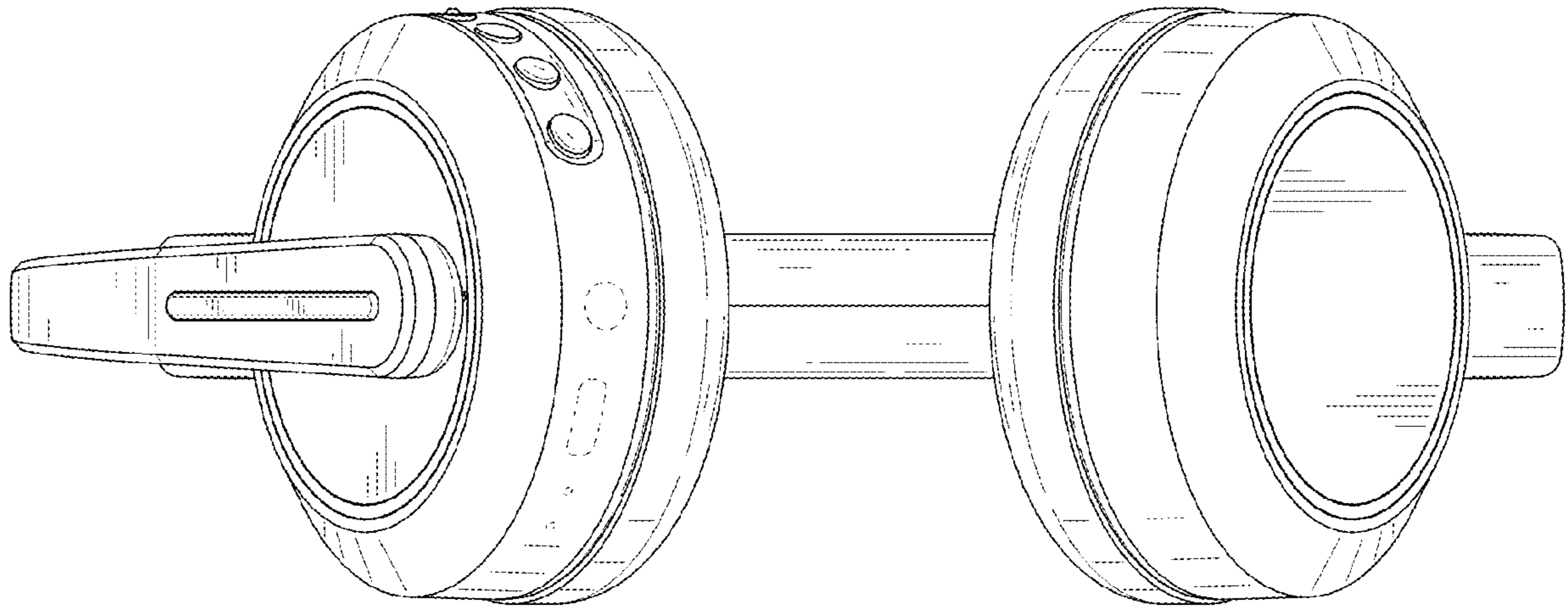


FIG. 8