



US00D933041S

(12) **United States Design Patent**
Rois

(10) **Patent No.:** **US D933,041 S**

(45) **Date of Patent:** **** Oct. 12, 2021**

(54) **AUDIO HEADPHONES**

(71) Applicant: **Stephen John Rois**, St. Louis, MO
(US)

(72) Inventor: **Stephen John Rois**, St. Louis, MO
(US)

(**) Term: **15 Years**

(21) Appl. No.: **29/721,807**

(22) Filed: **Jan. 23, 2020**

(51) **LOC (13) Cl.** **14-01**

(52) **U.S. Cl.**
USPC **D14/205**

(58) **Field of Classification Search**
USPC D14/205, 188, 192; D29/112; 2/209;
381/380, 381, 374; 455/90.3, 575.1,
455/569.1; D8/356, 394
CPC H04R 25/00; H04R 25/02; H04R 1/1066;
H04R 1/1016; H04R 5/033; H04R
5/0335; H04R 1/10

See application file for complete search history.

(56) **References Cited**

U.S. PATENT DOCUMENTS

3,141,221 A * 7/1964 Fauls, Jr. B65D 33/1666
24/30.5 R
D215,375 S * 9/1969 Daggert D10/118
D227,742 S * 7/1973 Logsdon D8/354
4,385,209 A * 5/1983 Greason H04R 19/016
307/400
D300,528 S * 4/1989 Drane D13/171
5,018,599 A * 5/1991 Dohi H04R 1/1008
181/129
5,666,702 A * 9/1997 Ming-Chieh B42F 1/006
24/338
5,812,680 A * 9/1998 Glendon H04R 25/609
381/322
D407,985 S * 4/1999 Pimentel D10/104.2
D464,469 S * 10/2002 Dix D29/112
D512,417 S * 12/2005 Hirakawa D14/223

D549,217 S * 8/2007 Viduya D14/206
7,356,362 B2 * 4/2008 Chang H04R 1/1033
379/430
7,388,960 B2 * 6/2008 Kuo H04R 1/1041
379/430

(Continued)

FOREIGN PATENT DOCUMENTS

EM 008023345-0002 * 6/2020

Primary Examiner — Paula Allen Greene

(74) *Attorney, Agent, or Firm* — Harness, Dickey &
Pierce, P.L.C.; Anthony G. Fussner

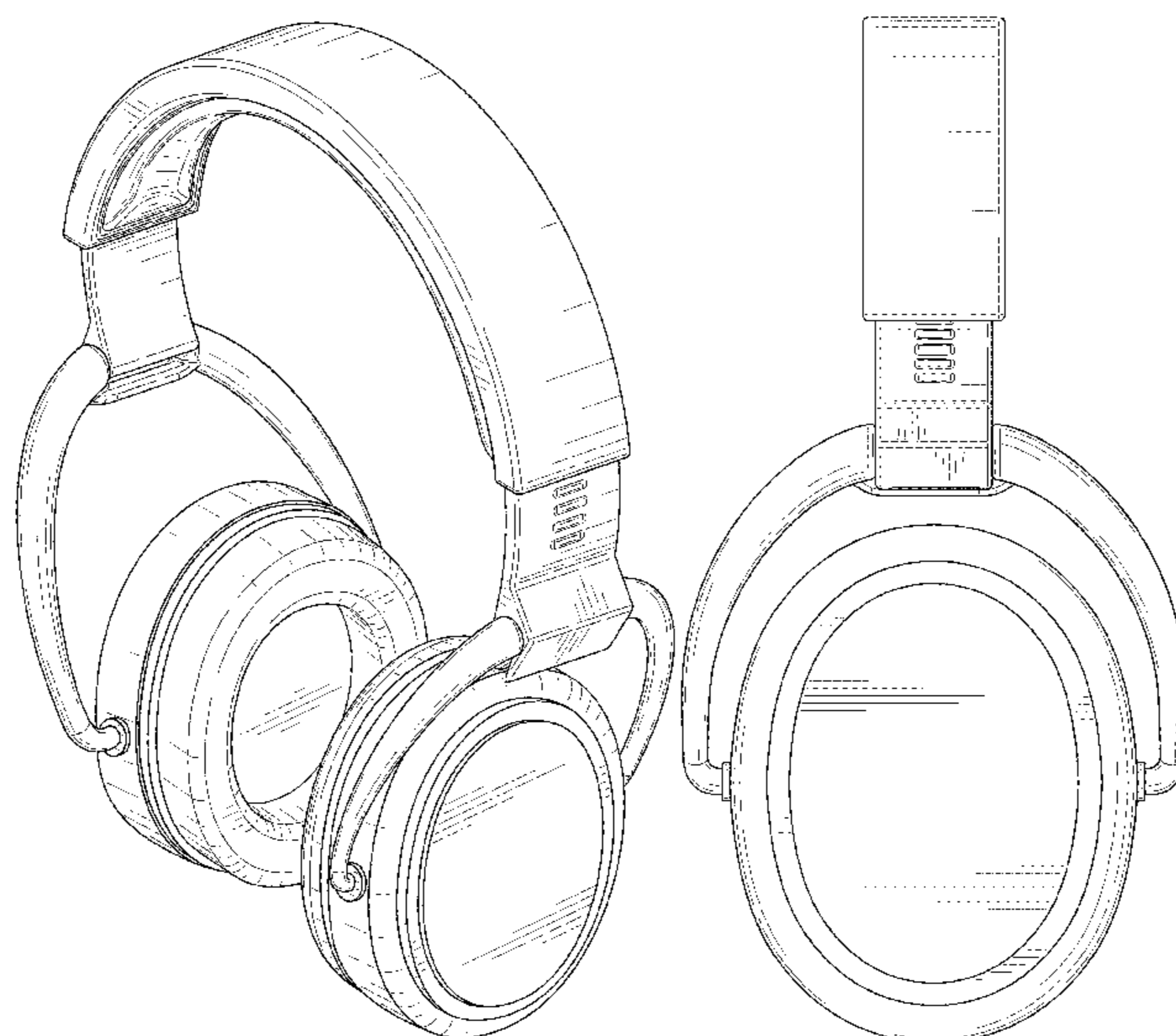
(57) **CLAIM**

The ornamental design for audio headphones, as shown and described.

DESCRIPTION

FIG. 1 is a perspective view of audio headphones showing my new design;
FIG. 2 is a perspective view of the audio headphones shown in FIG. 1 thereof;
FIG. 3 is a perspective view of the audio headphones shown in FIG. 1 thereof;
FIG. 4 is a perspective view of the audio headphones shown in FIG. 1 thereof;
FIG. 5 is a front view of the audio headphones shown in FIG. 1;
FIG. 6 is a back view of the audio headphones shown in FIG. 1;
FIG. 7 is a right side view of the audio headphones shown in FIG. 1;
FIG. 8 is a left side view of the audio headphones shown in FIG. 1;
FIG. 9 is a top view of the audio headphones shown in FIG. 1; and,
FIG. 10 is a bottom view of the audio headphones shown in FIG. 1.

1 Claim, 10 Drawing Sheets



(56)

References Cited

U.S. PATENT DOCUMENTS

D573,581 S * 7/2008 Gondo D14/205
 D581,394 S * 11/2008 Lee D14/205
 D588,098 S * 3/2009 Kurihara D14/205
 D603,370 S * 11/2009 Suzuki D14/205
 D605,629 S * 12/2009 Suwalski D14/206
 D616,419 S * 5/2010 Suwalski D14/206
 7,853,034 B1 12/2010 Gresko
 D634,732 S * 3/2011 Kondo D14/205
 D639,775 S * 6/2011 Horibe D14/205
 D642,554 S * 8/2011 Schaal D14/205
 D648,706 S 11/2011 Gresko et al.
 D649,956 S 12/2011 Gresko et al.
 D651,764 S 1/2012 Gresko et al.
 D657,776 S * 4/2012 Lee D14/205
 8,358,799 B1 1/2013 Gresko et al.
 8,767,996 B1 * 7/2014 Lin G06F 3/165
 381/380
 D734,297 S * 7/2015 Sasaki D14/205
 D739,842 S * 9/2015 Birger D14/205
 D741,550 S * 10/2015 Edwardsson D29/112

9,167,340 B2 10/2015 Rois et al.
 D768,110 S * 10/2016 Suzuki D14/205
 9,490,593 B2 11/2016 Rois
 D793,646 S * 8/2017 Bacallao D34/27
 D794,603 S * 8/2017 Riggs D14/205
 D795,218 S * 8/2017 Ohmachi D14/205
 D821,353 S * 6/2018 Ohmachi D14/205
 10,187,716 B1 * 1/2019 England H04R 1/1008
 D859,353 S * 9/2019 Wagner D14/205
 D902,496 S * 11/2020 Bui D29/112
 2007/0041604 A1 * 2/2007 Yang H04R 1/1066
 381/370
 2012/0140973 A1 * 6/2012 Olodort H04R 1/1066
 381/375
 2014/0112519 A1 * 4/2014 Chen H04R 1/1066
 381/379
 2014/0205129 A1 * 7/2014 Blair H04R 5/0335
 381/378
 2017/0230746 A1 * 8/2017 Silvestri H04R 1/288
 2019/0373353 A1 * 12/2019 Yuen H04R 5/0335
 2020/0030151 A1 * 1/2020 Hemberg H04R 1/1083

* cited by examiner

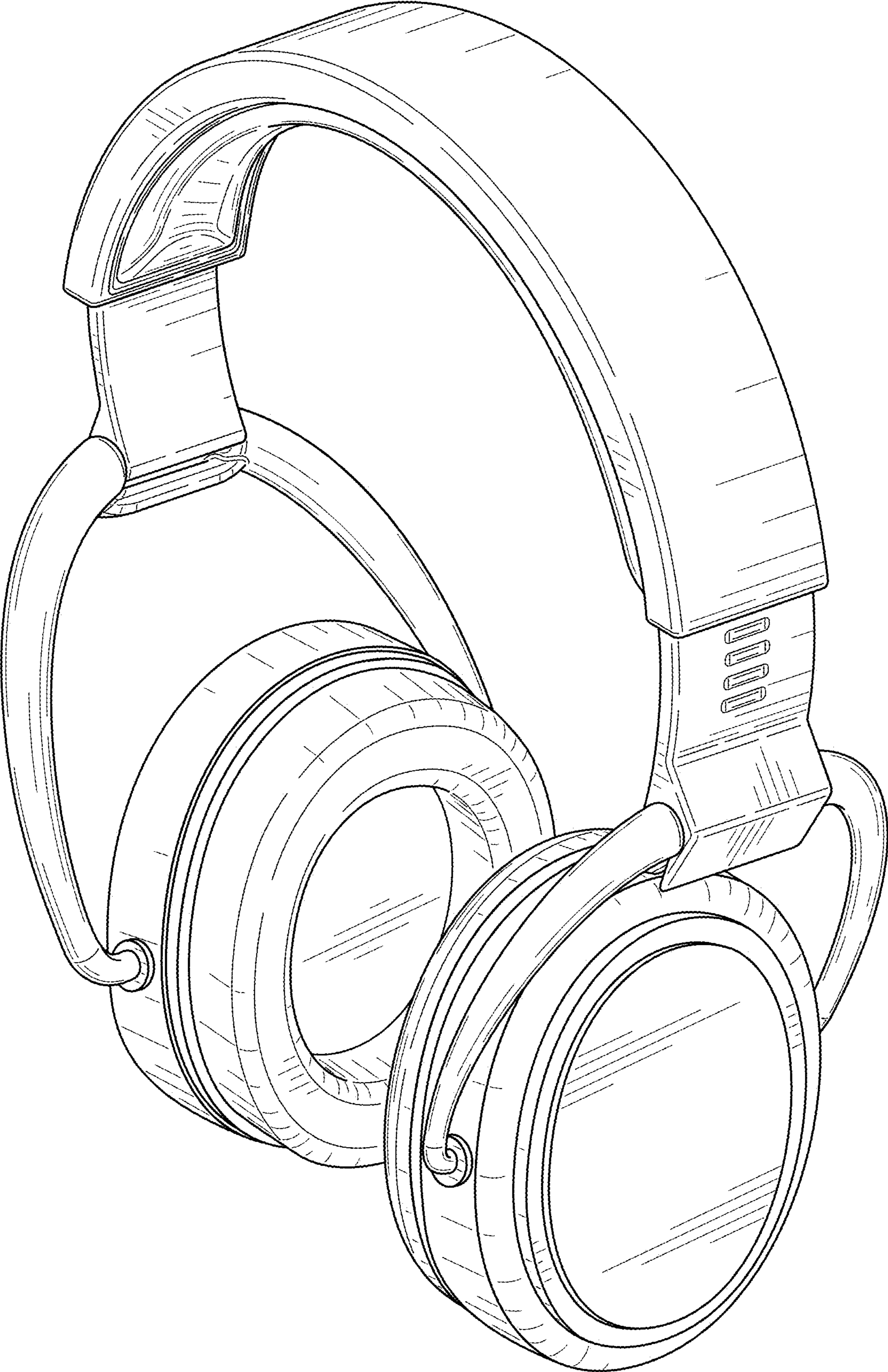


FIG. 1

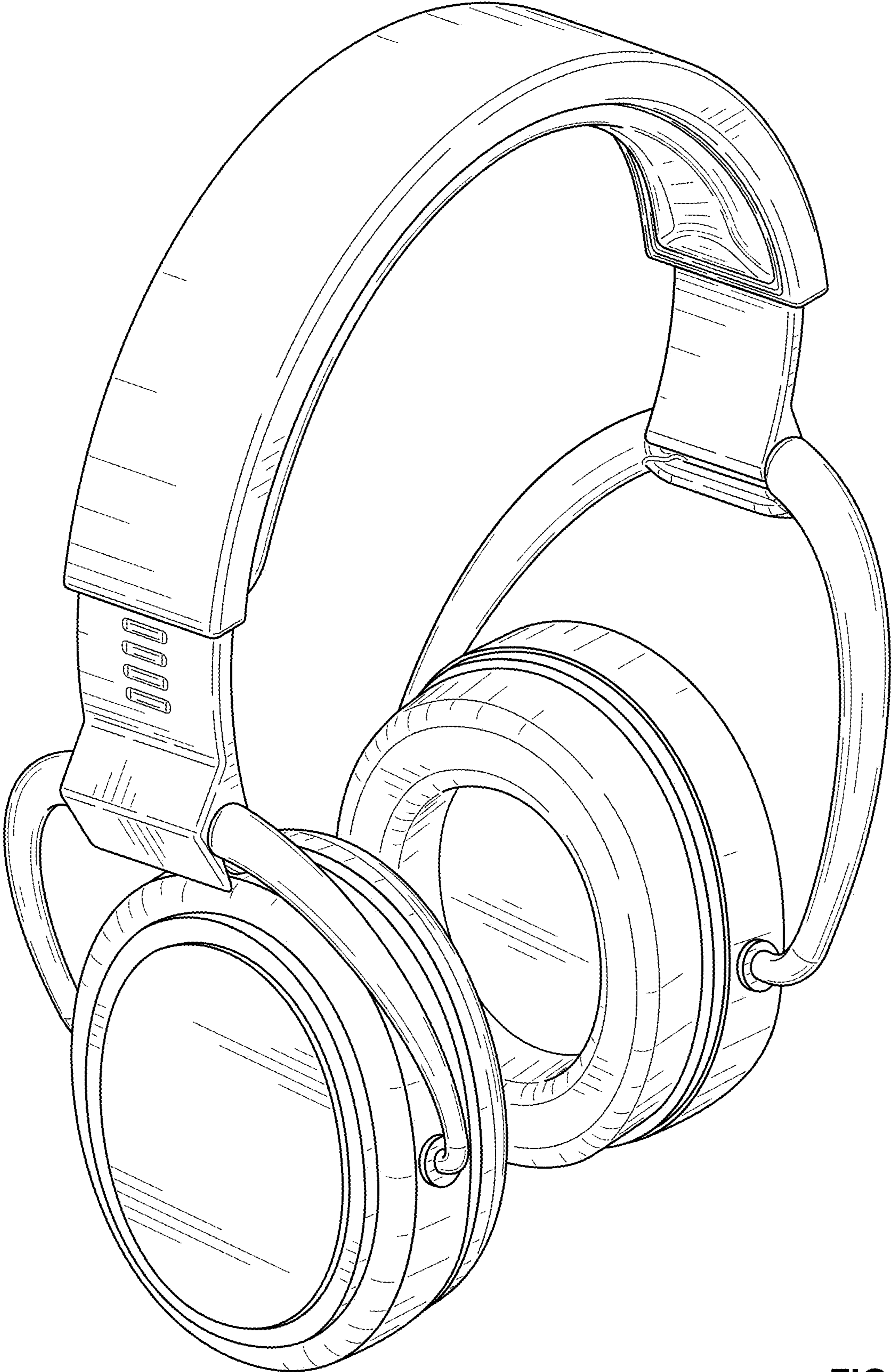


FIG. 2

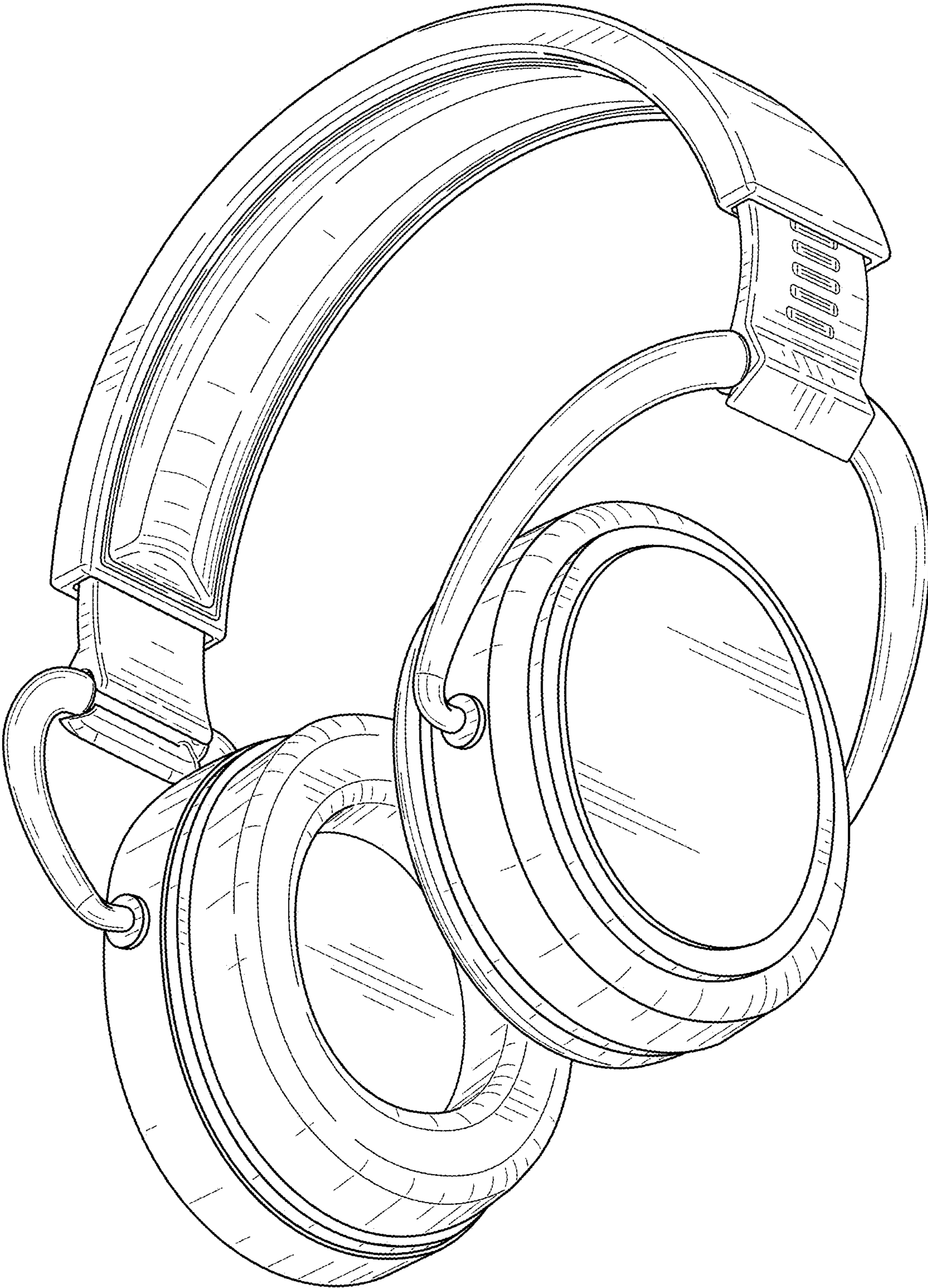


FIG. 3

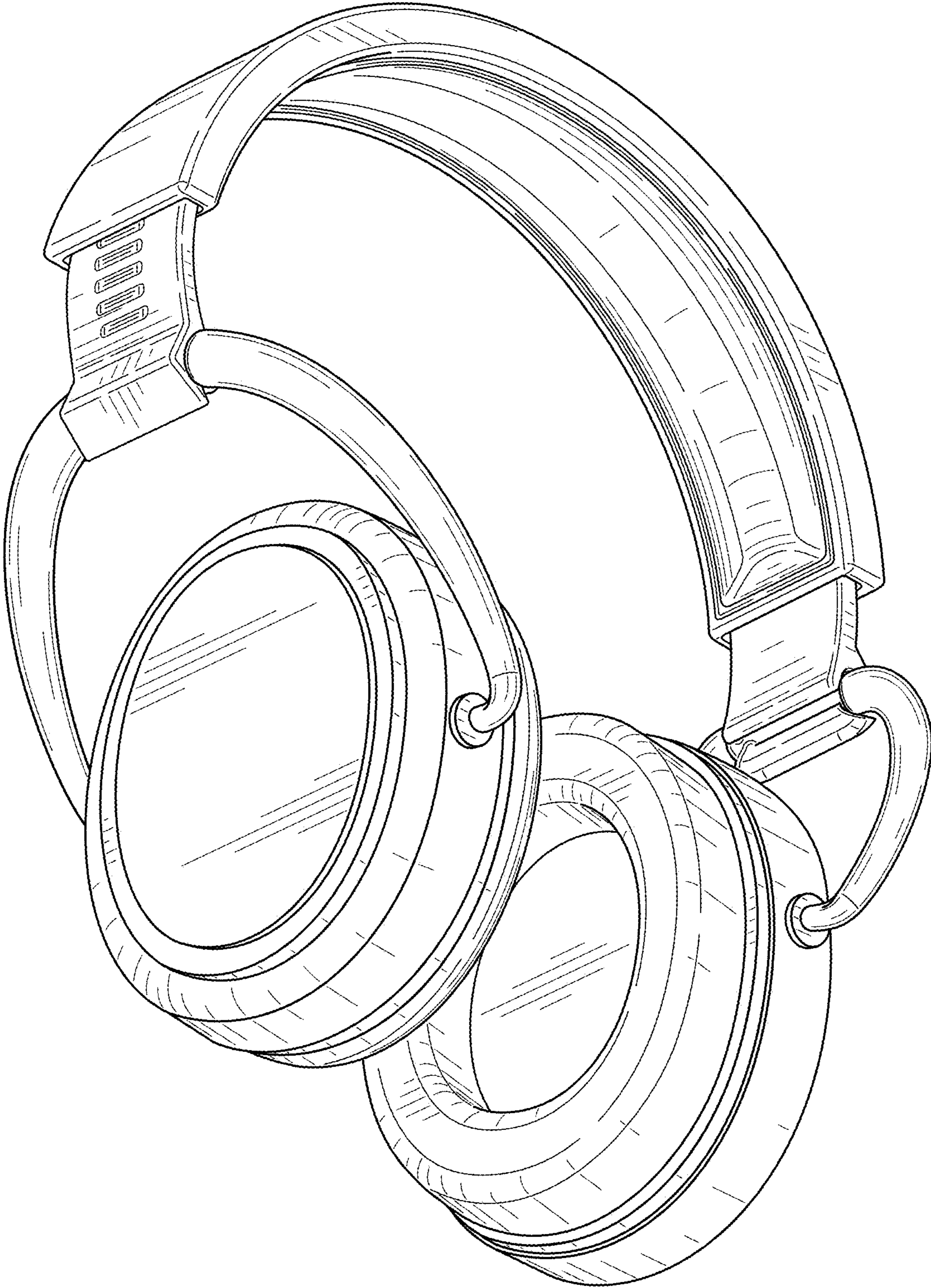


FIG. 4



FIG. 5

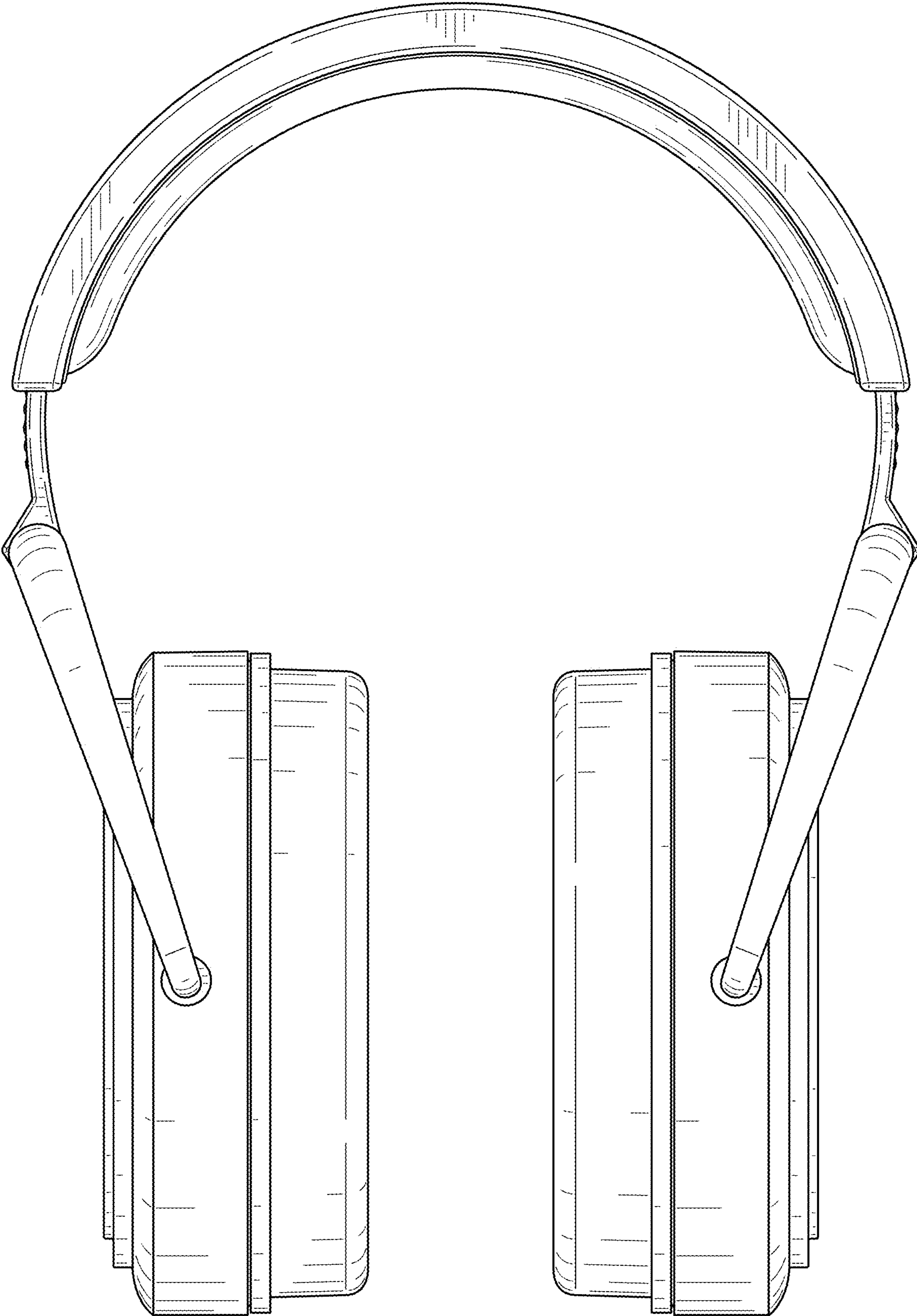


FIG. 6

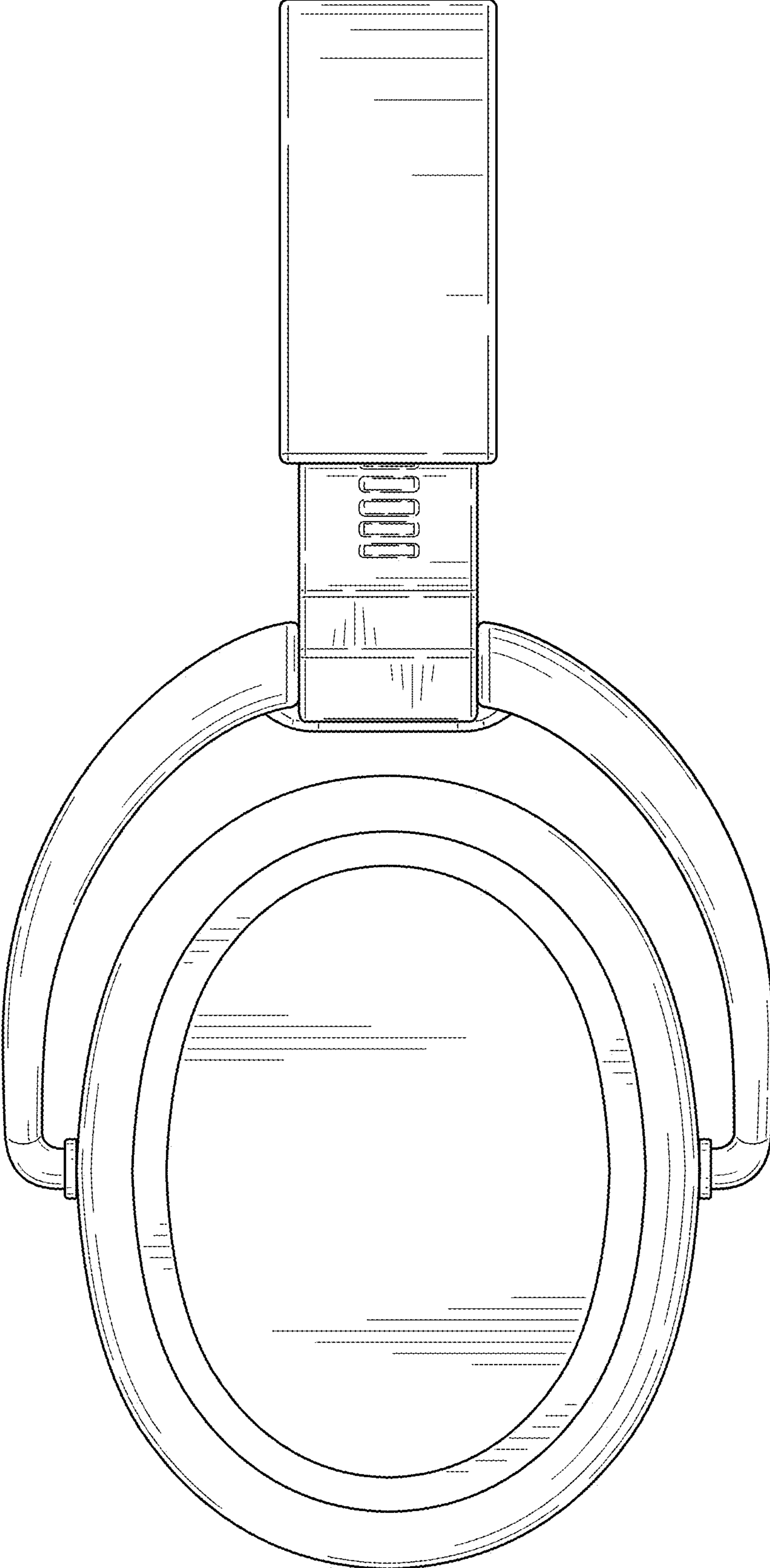


FIG. 7

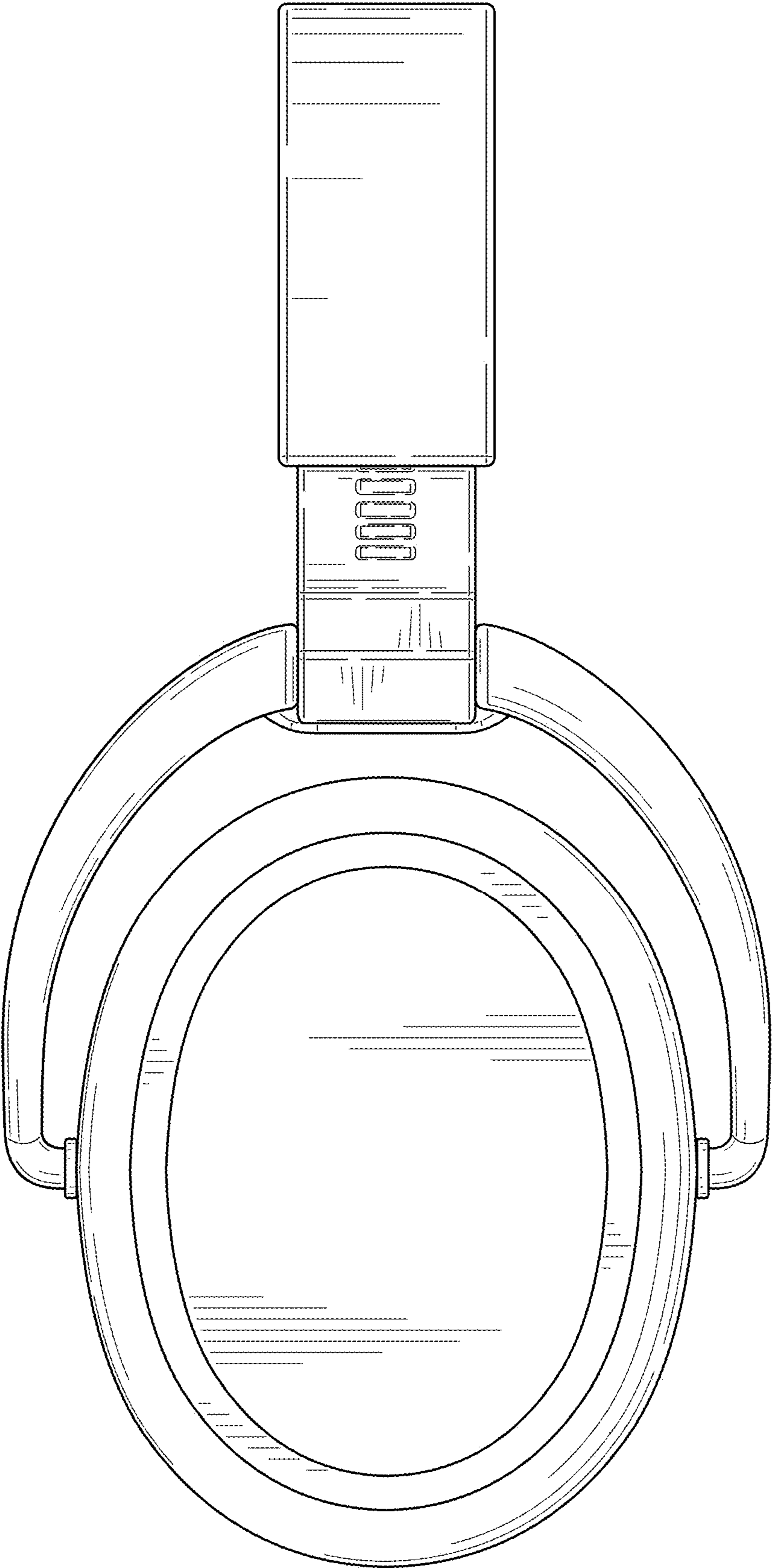


FIG. 8

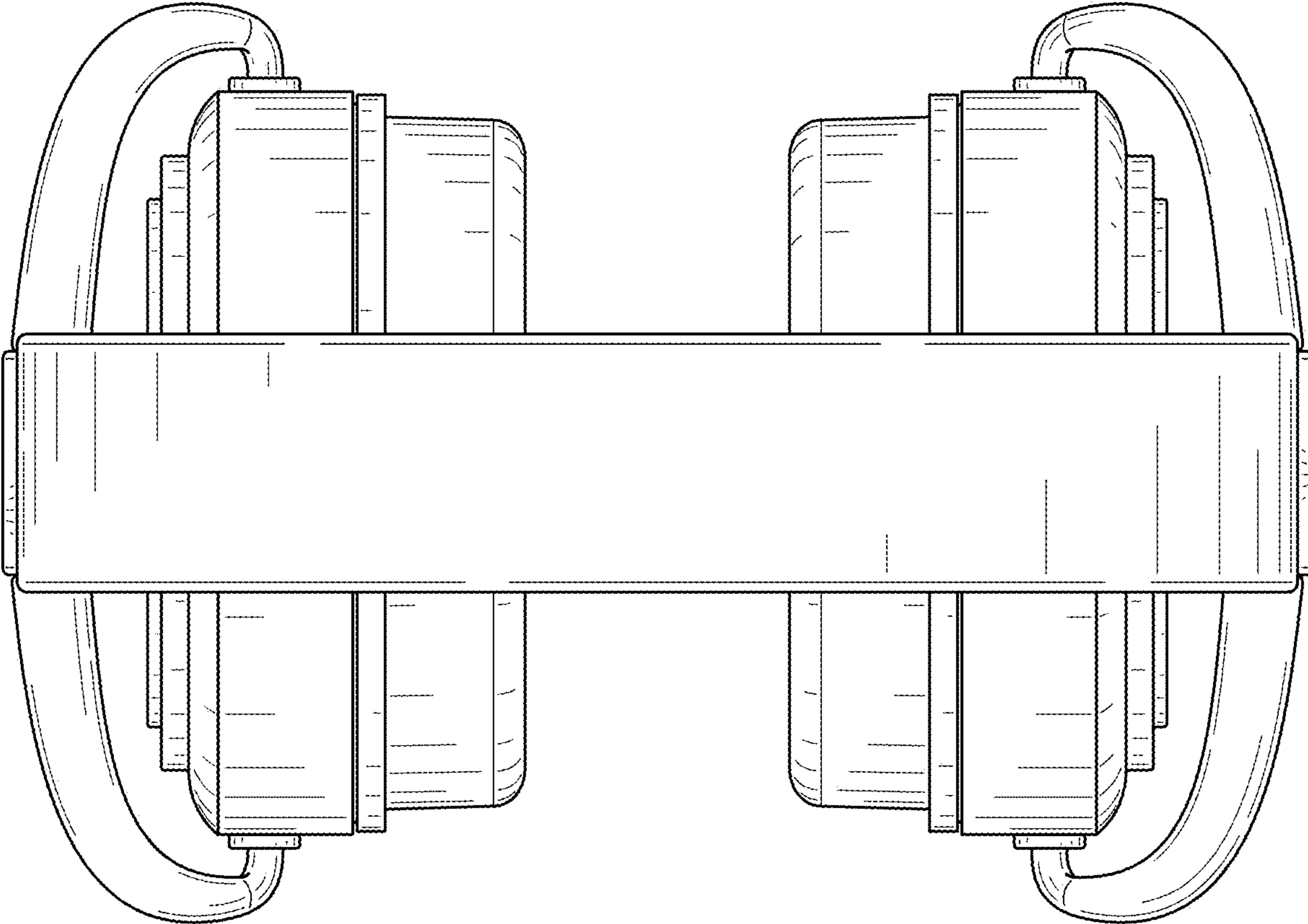


FIG. 9

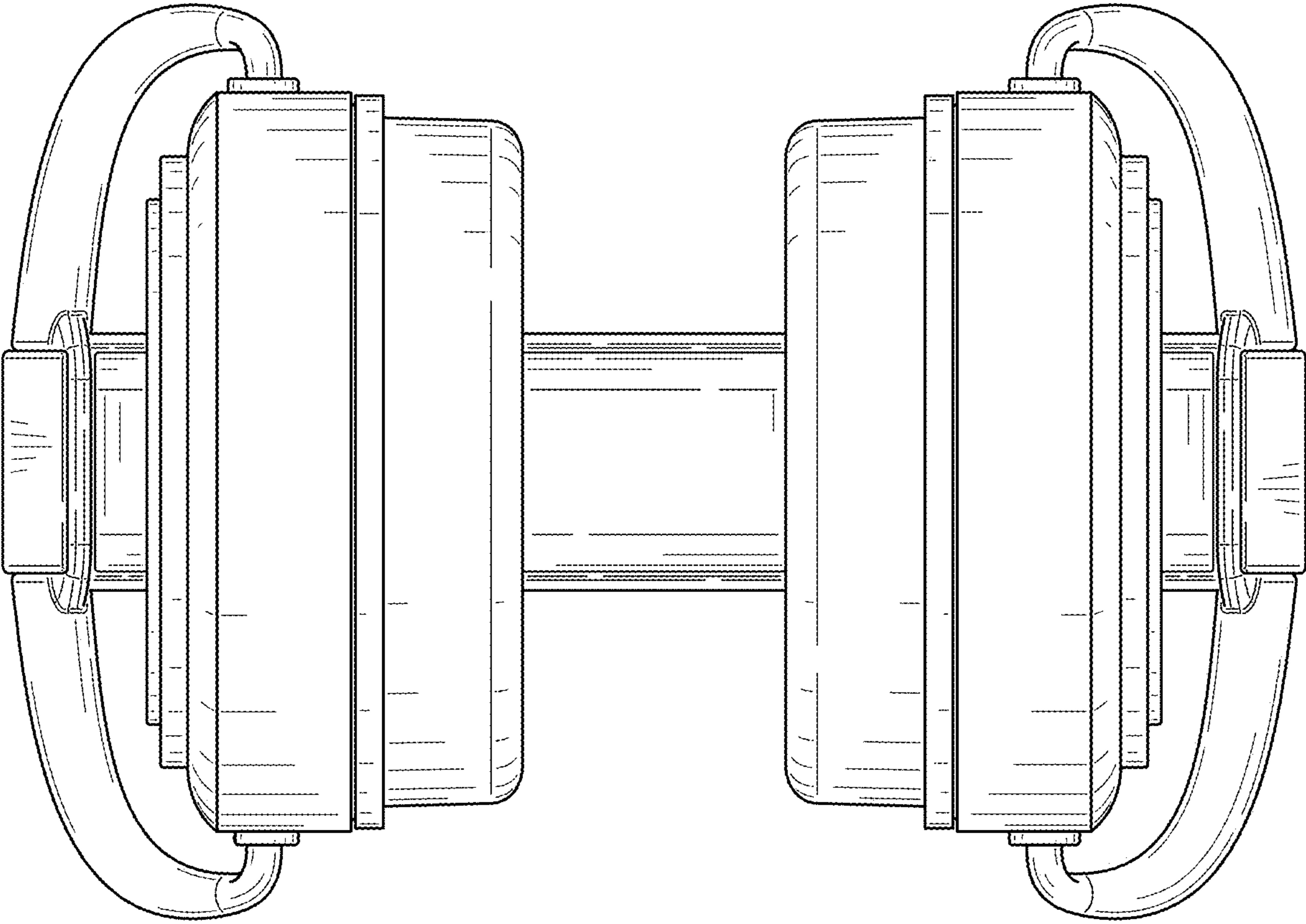


FIG. 10