



US00D933040S

(12) **United States Design Patent**  
**Lin**

(10) **Patent No.:** **US D933,040 S**  
(45) **Date of Patent:** **\*\* Oct. 12, 2021**

(54) **SOUND MACHINE**

(71) Applicant: **HUMBOLDT TECHNOLOGY (HK) LIMITED**, Hongkong (HK)

(72) Inventor: **Wuqiang Lin**, Shenzhen (CN)

(\*\*) Term: **15 Years**

(21) Appl. No.: **29/767,621**

(22) Filed: **Jan. 25, 2021**

(51) **LOC (13) Cl.** ..... **14-01**

(52) **U.S. Cl.**  
USPC ..... **D14/204**

(58) **Field of Classification Search**  
USPC ..... D14/170-172, 188, 203.1, 203.3, 204, D14/348  
CPC . H04R 1/02; H04R 1/023; H04R 5/02; H04R 7/00; H04R 7/02; H04R 9/06; H04R 2400/00

See application file for complete search history.

(56) **References Cited**

**U.S. PATENT DOCUMENTS**

D406,774 S \* 3/1999 Sinisi ..... D10/40  
D450,049 S \* 11/2001 Lacotta ..... D14/171  
D478,890 S \* 8/2003 Ng ..... D14/170

D525,880 S \* 8/2006 Okamura ..... D10/15  
D605,337 S \* 12/2009 Zhang ..... D26/93  
D616,128 S \* 5/2010 Sanoner ..... D26/67  
D756,326 S \* 5/2016 Holzer ..... D14/171  
D793,869 S \* 8/2017 Jeon ..... D10/2  
D835,600 S 12/2018 Weiss et al.  
D878,323 S \* 3/2020 Guo ..... D14/171  
D886,642 S \* 6/2020 Zhou ..... D10/22  
D887,390 S 6/2020 Weiss et al.  
D902,471 S \* 11/2020 Canizares ..... D26/106  
D905,318 S \* 12/2020 Cui ..... D26/106  
D918,862 S \* 5/2021 Feng ..... D14/204

\* cited by examiner

*Primary Examiner* — Janice Patyk

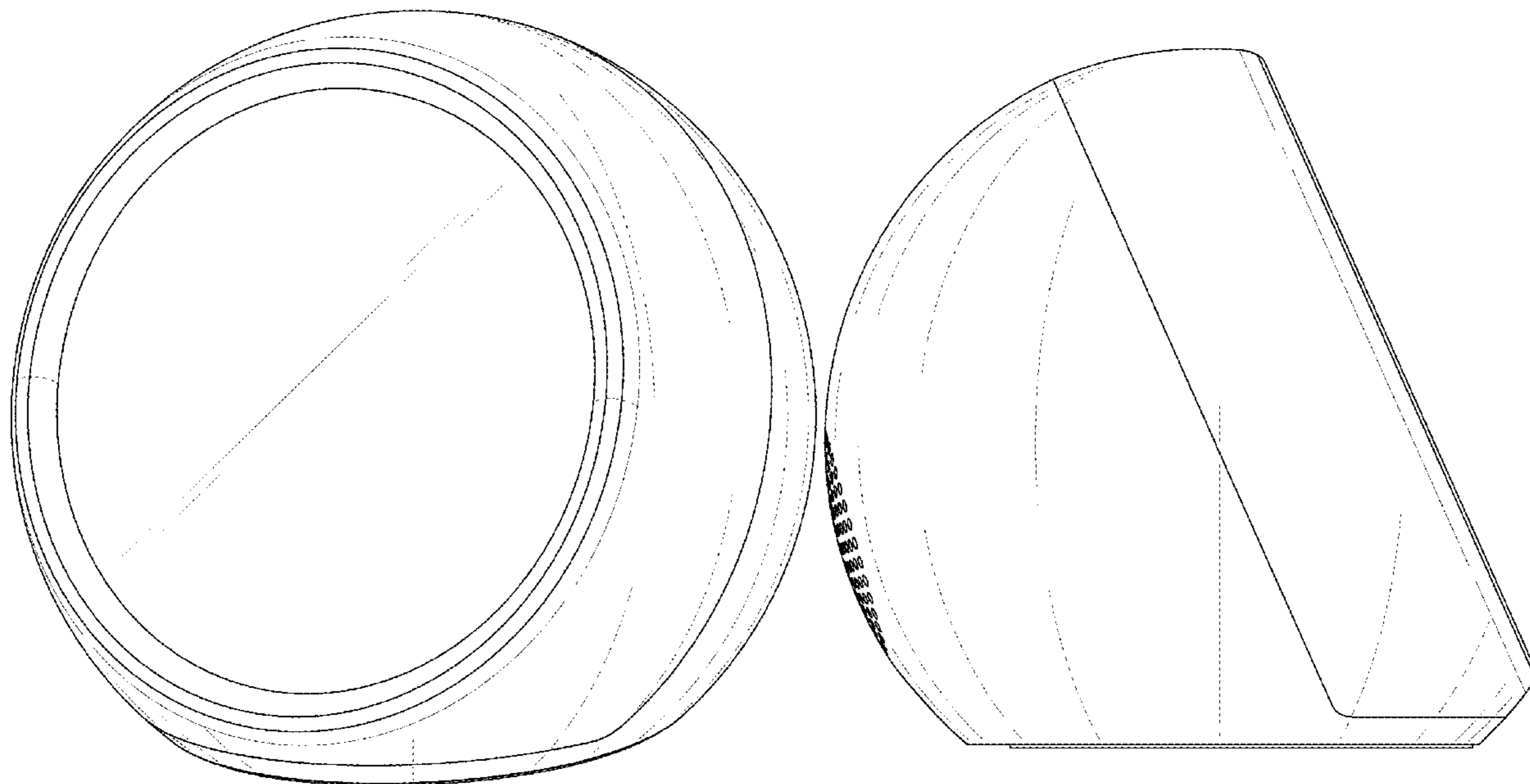
(57) **CLAIM**

The ornamental design for a sound machine, as shown and described.

**DESCRIPTION**

FIG. 1 is a perspective view of a sound machine showing my new design;  
FIG. 2 is another perspective view thereof;  
FIG. 3 is a front view thereof;  
FIG. 4 is a rear view thereof;  
FIG. 5 is a left side view thereof;  
FIG. 6 is a right side view thereof;  
FIG. 7 is a top plan view thereof; and,  
FIG. 8 is a bottom plan view thereof.

**1 Claim, 8 Drawing Sheets**



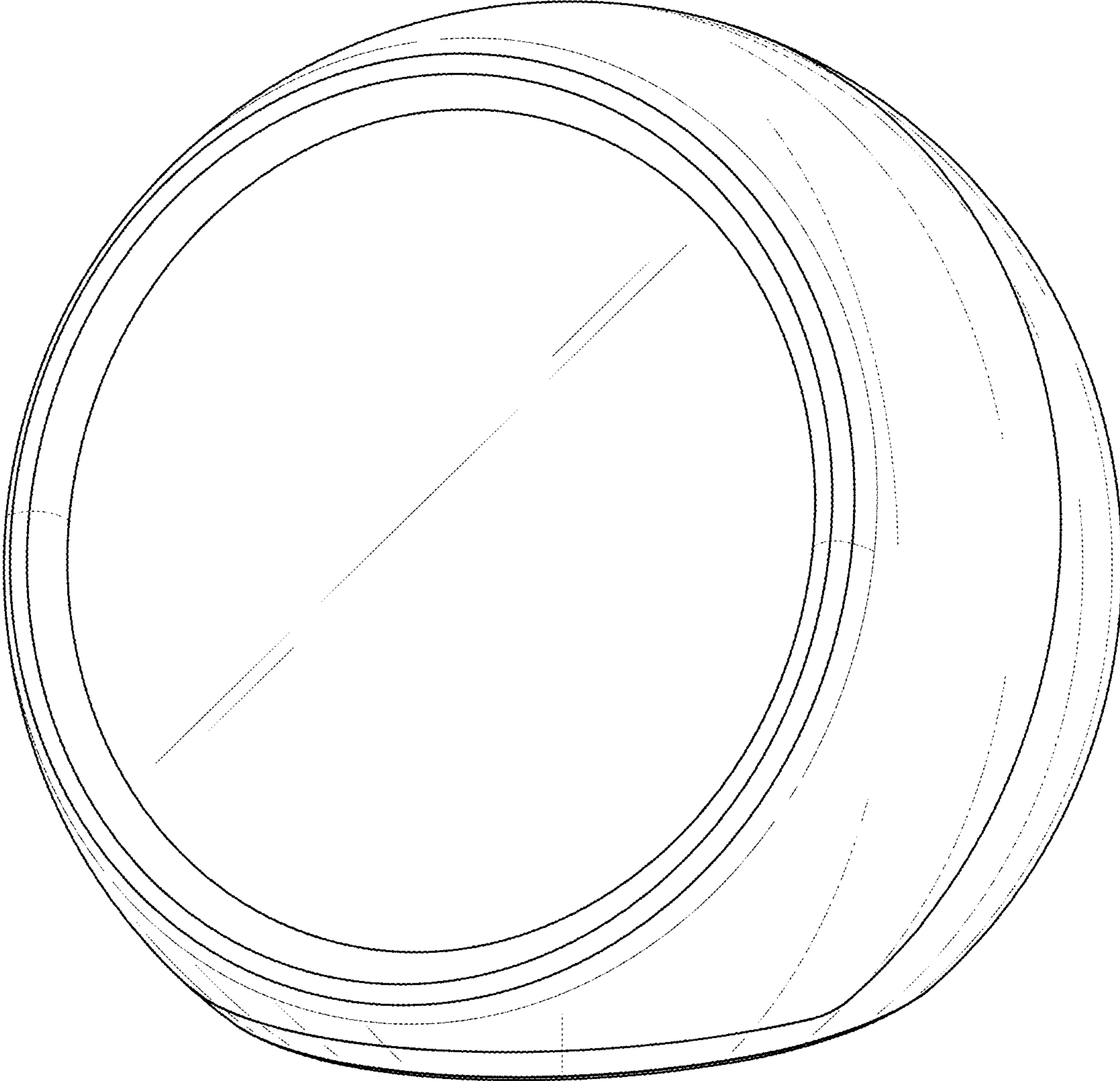


FIG. 1

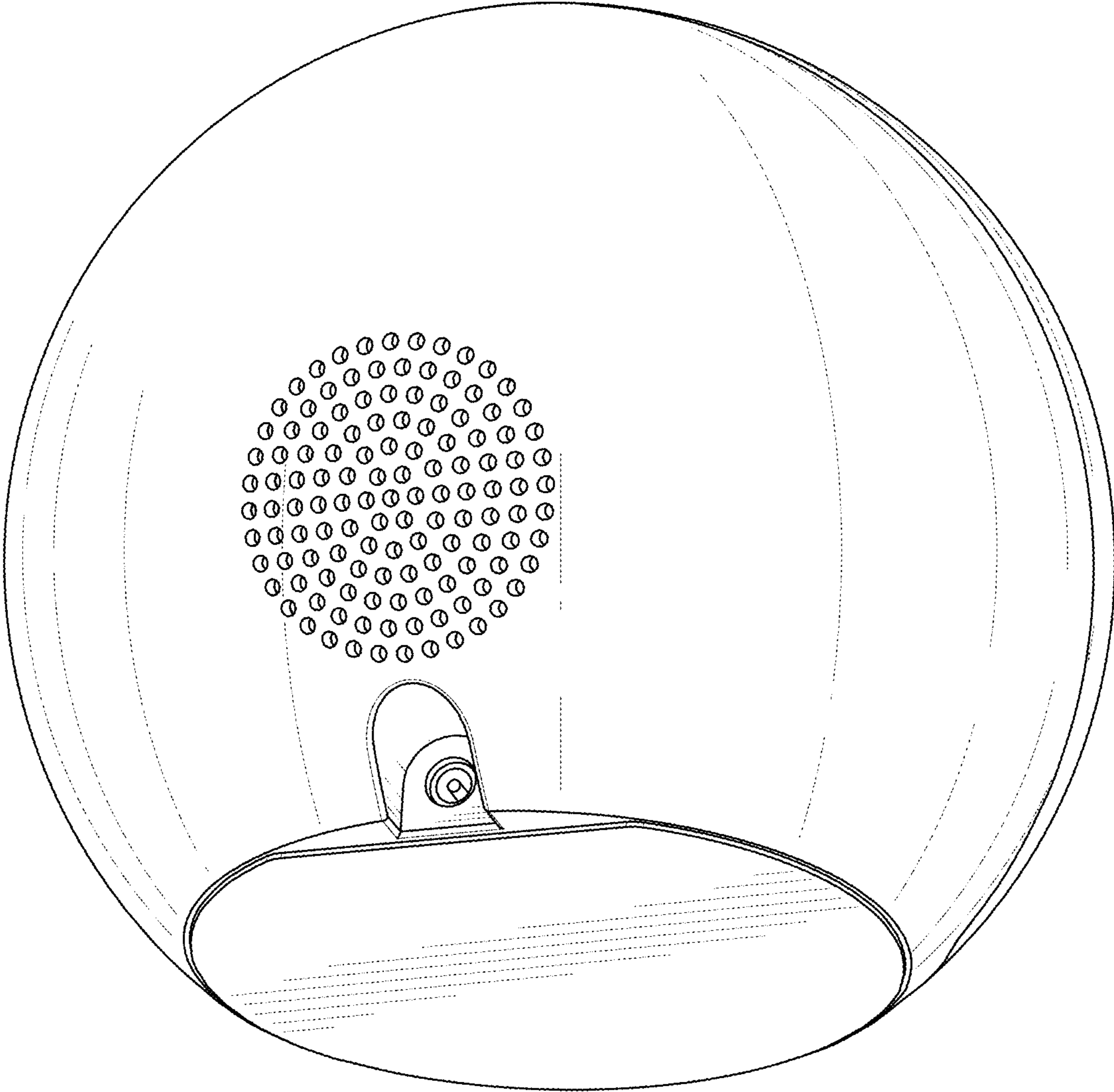


FIG. 2

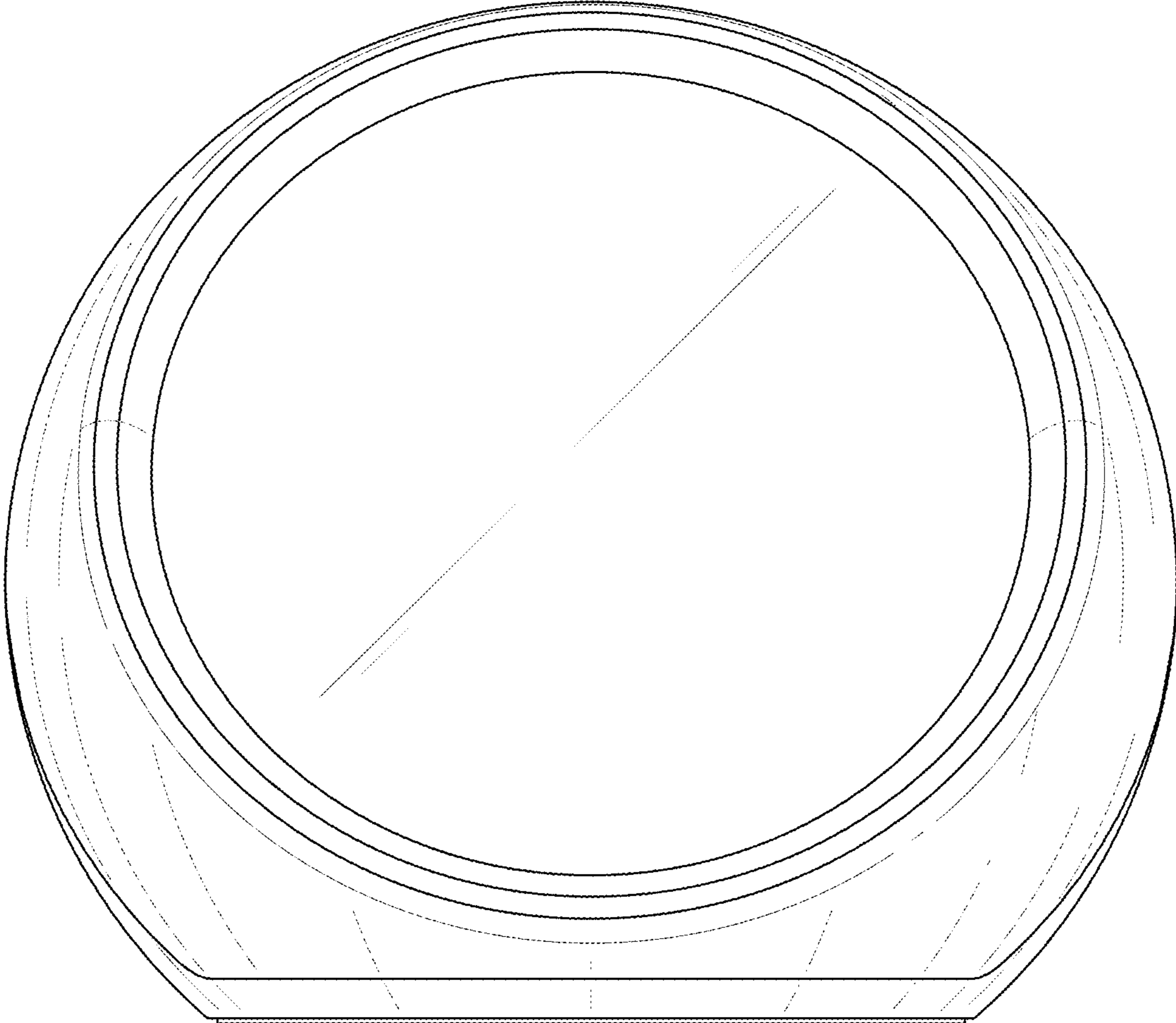


FIG. 3

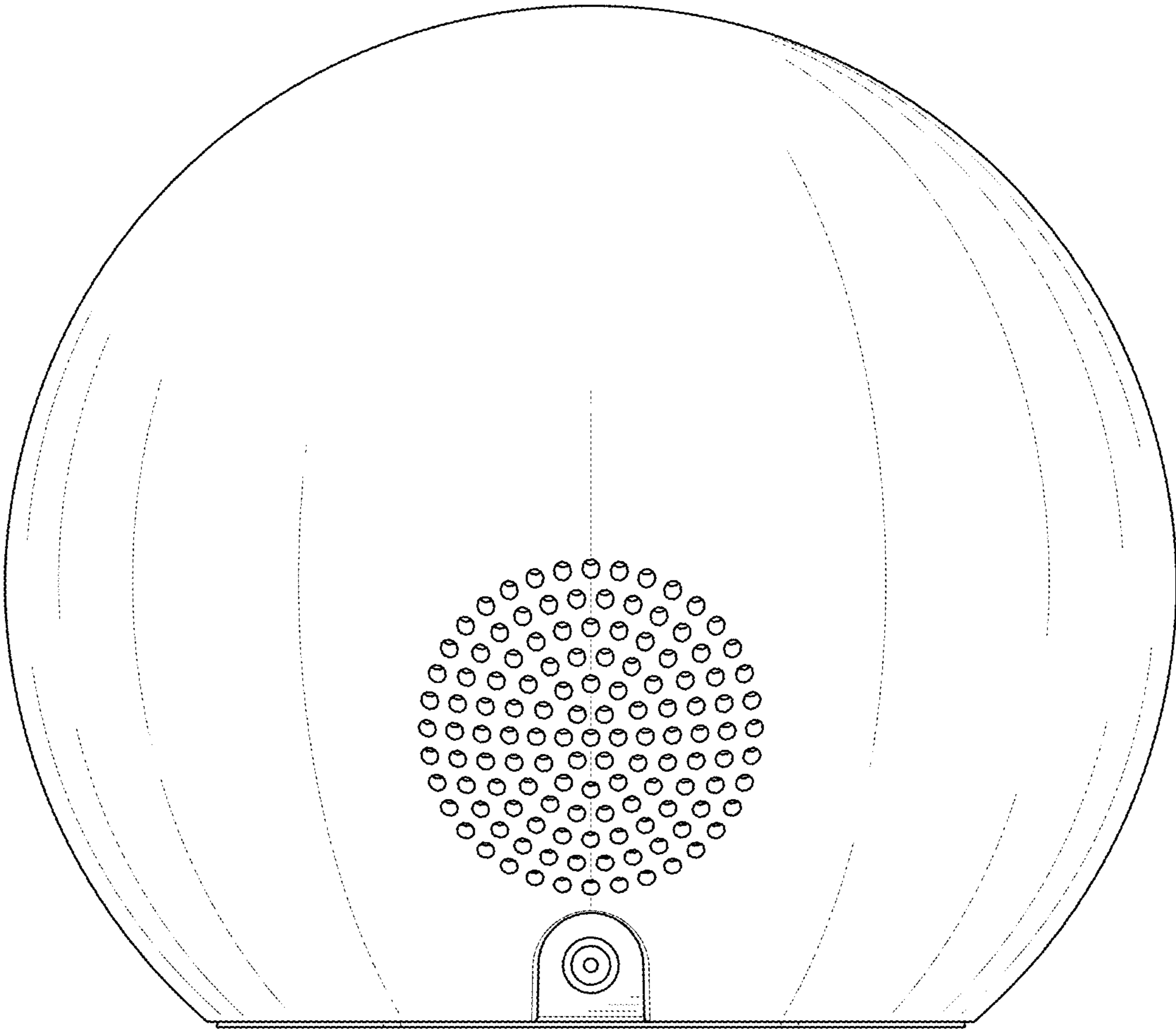


FIG. 4

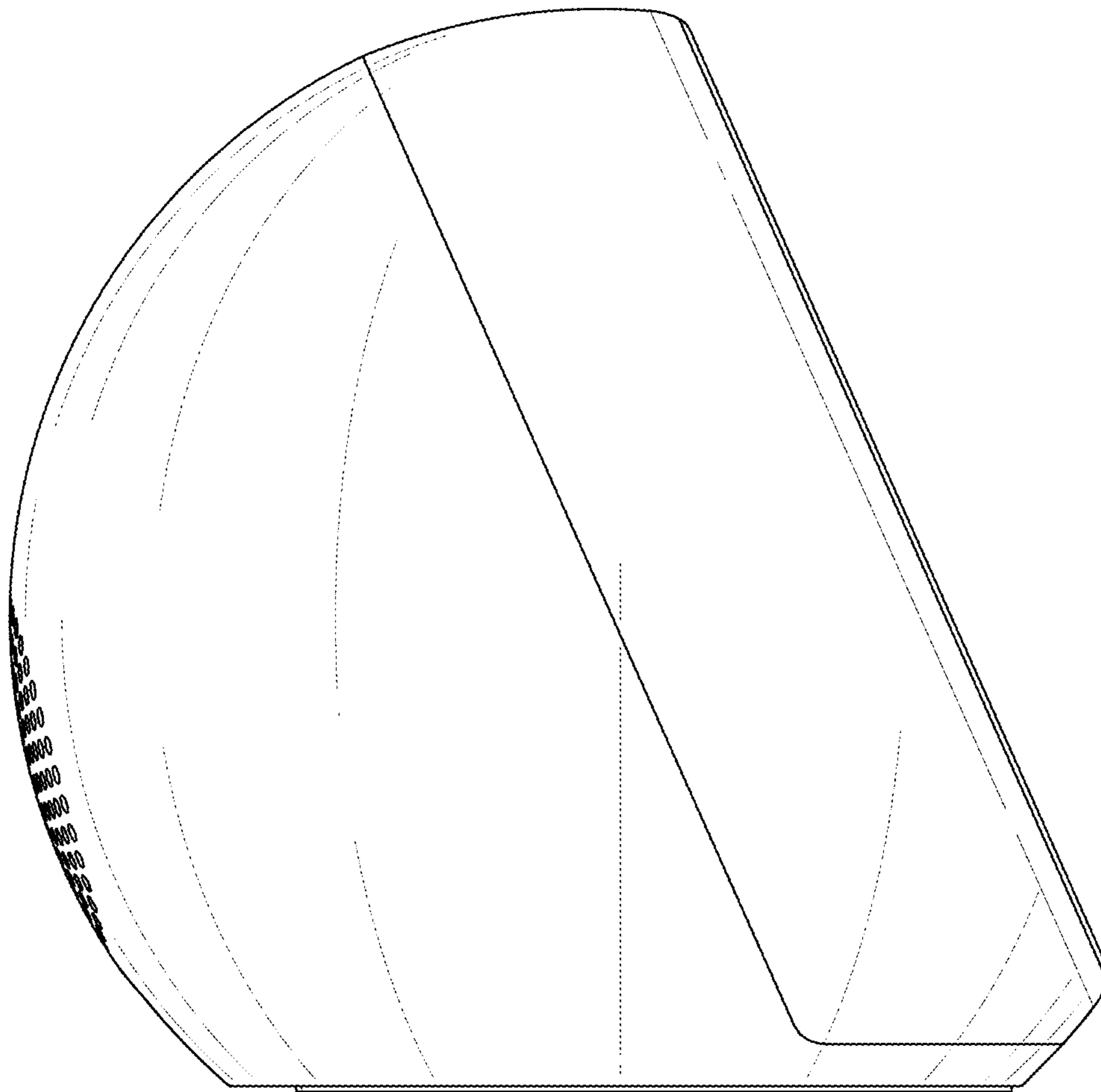


FIG. 5

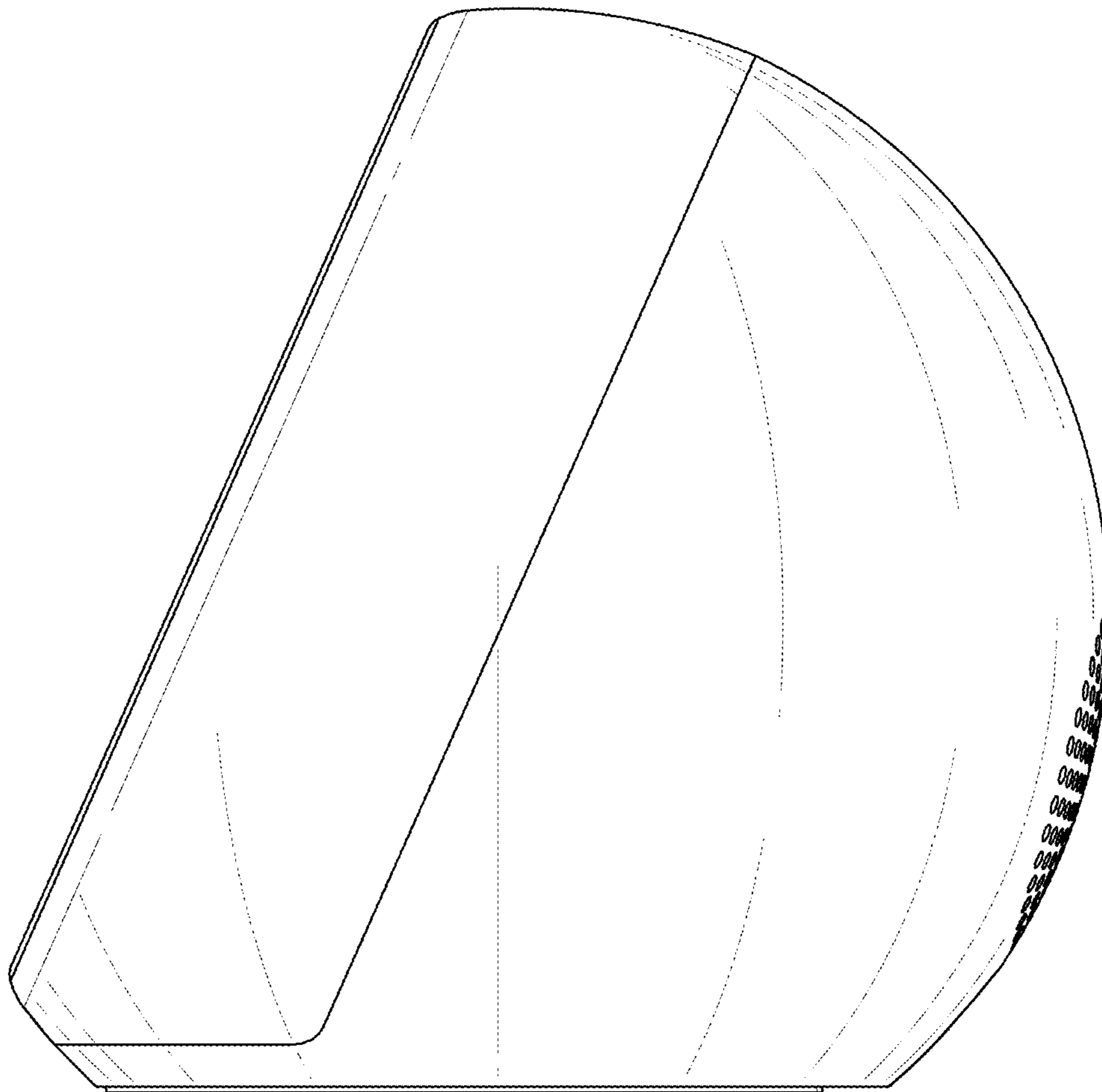


FIG. 6

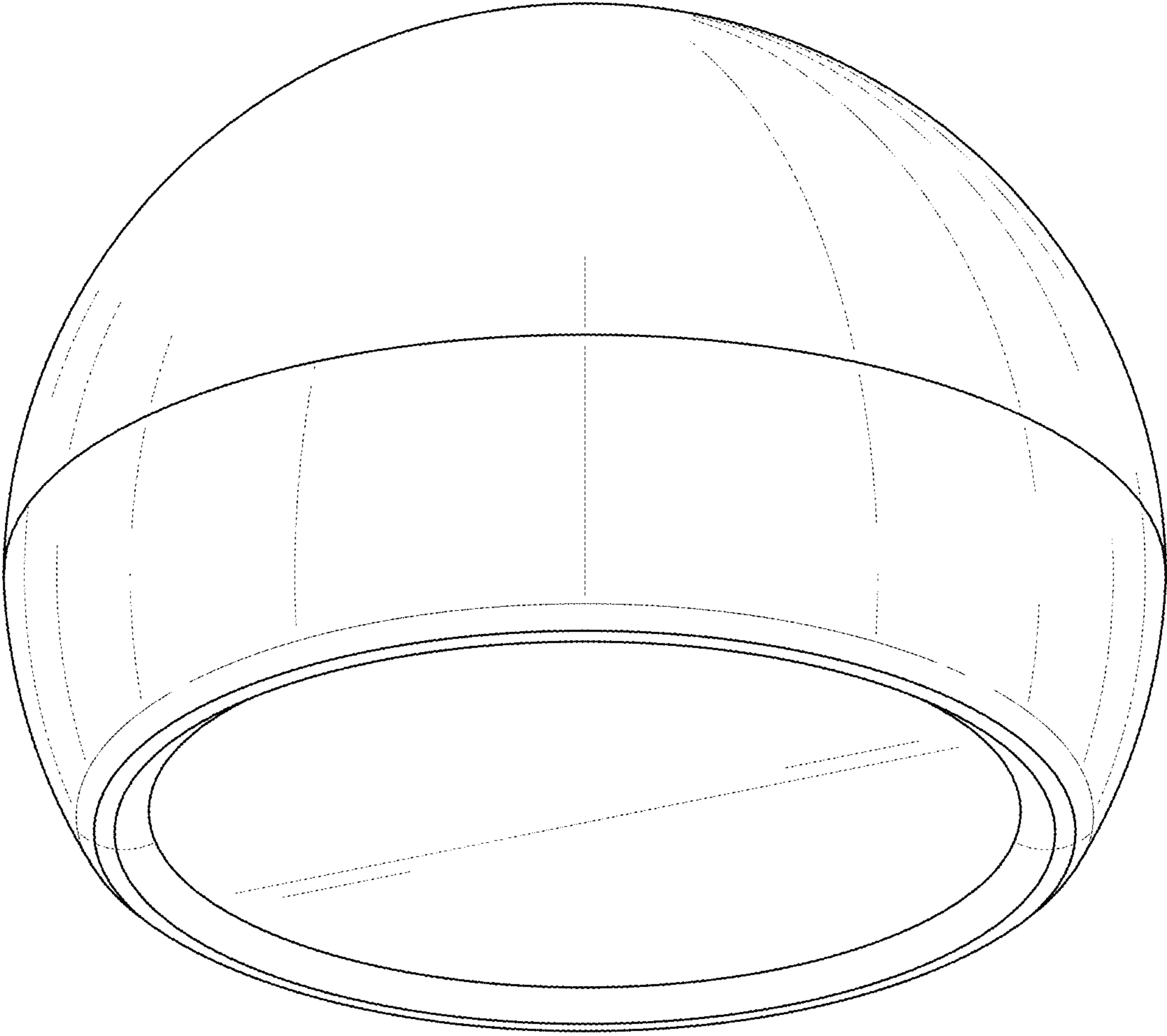


FIG. 7



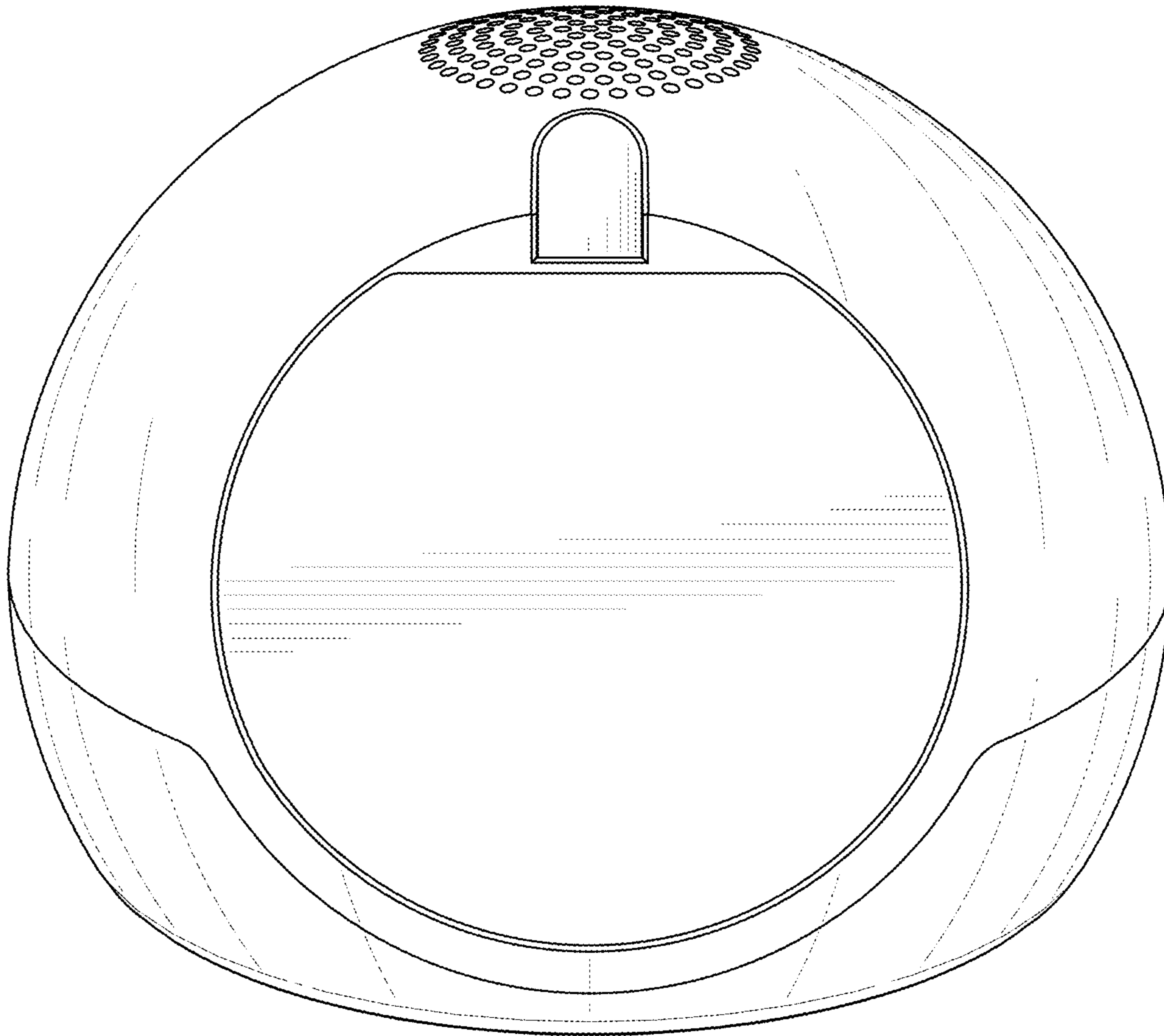


FIG. 8