



US00D933039S

(12) **United States Design Patent** (10) **Patent No.:** **US D933,039 S**  
**Johnson** (45) **Date of Patent:** **\*\* Oct. 12, 2021**

(54) **SOUND DEVICE**

(71) Applicant: **London Johnson, Inc.**, Dallas, TX (US)

(72) Inventor: **Brian P. Johnson**, Dallas, TX (US)

(\*\*) Term: **15 Years**

(21) Appl. No.: **29/728,831**

(22) Filed: **Mar. 20, 2020**

**Related U.S. Application Data**

(60) Continuation of application No. 29/658,811, filed on Aug. 2, 2018, now Pat. No. Des. 886,794, which is a division of application No. 29/563,463, filed on May 4, 2016, now Pat. No. Des. 827,606.

(51) **LOC (13) Cl.** ..... **14-01**

(52) **U.S. Cl.**  
USPC ..... **D14/204**

(58) **Field of Classification Search**  
USPC ..... D14/170–172, 188, 203.1, 203.3, 204, D14/348  
CPC . H04R 1/02; H04R 1/023; H04R 5/02; H04R 7/00; H04R 7/02; H04R 9/06; H04R 2400/00

See application file for complete search history.

(56) **References Cited**

**U.S. PATENT DOCUMENTS**

|            |         |                |
|------------|---------|----------------|
| D381,325 S | 7/1997  | McMahan et al. |
| D441,760 S | 5/2001  | Hibino         |
| D484,886 S | 1/2004  | Matsuoka       |
| D516,073 S | 2/2006  | Boswell et al. |
| D557,256 S | 12/2007 | Joseph         |
| D561,168 S | 2/2008  | Song           |
| D563,994 S | 3/2008  | Liu et al.     |
| D583,358 S | 12/2008 | Joseph         |
| D605,625 S | 12/2009 | Skurdal        |

|            |        |         |                       |
|------------|--------|---------|-----------------------|
| D622,258 S | 8/2010 | Joseph  |                       |
| D622,260 S | *      | 8/2010  | Poandl ..... D14/171  |
| D637,580 S |        | 5/2011  | Aranda, Jr. et al.    |
| D639,784 S |        | 6/2011  | Murayama et al.       |
| D656,919 S | *      | 4/2012  | Skurdal ..... D14/171 |
| D676,412 S |        | 2/2013  | Holzer                |
| D690,280 S |        | 9/2013  | Schul                 |
| D700,528 S |        | 3/2014  | Joseph                |
| D704,076 S | *      | 5/2014  | Poandl ..... D10/2    |
| D707,202 S |        | 6/2014  | McManigal             |
| D718,736 S |        | 12/2014 | Thompson et al.       |
| D724,563 S |        | 3/2015  | Kim et al.            |
| D725,624 S |        | 3/2015  | Carney et al.         |
| D726,682 S |        | 4/2015  | Kim                   |
| D726,766 S |        | 4/2015  | Goodner               |
| D734,446 S |        | 7/2015  | Salmon et al.         |
| D771,018 S |        | 11/2016 | Espinosa et al.       |
| D773,430 S | *      | 12/2016 | Holzer ..... D14/171  |
| D773,431 S | *      | 12/2016 | Holzer ..... D14/172  |
| D779,341 S | *      | 2/2017  | Poandl ..... D10/2    |

(Continued)

*Primary Examiner* — Janice Patyk

(74) *Attorney, Agent, or Firm* — Wolf, Greenfield & Sacks, P.C.

(57) **CLAIM**

The ornamental design for a sound device, as shown and described.

**DESCRIPTION**

FIG. 1 is a top, front perspective view of a sound device, showing my design.

FIG. 2 is a top plan view thereof.

FIG. 3 is a bottom plan view thereof.

FIG. 4 is a front view thereof.

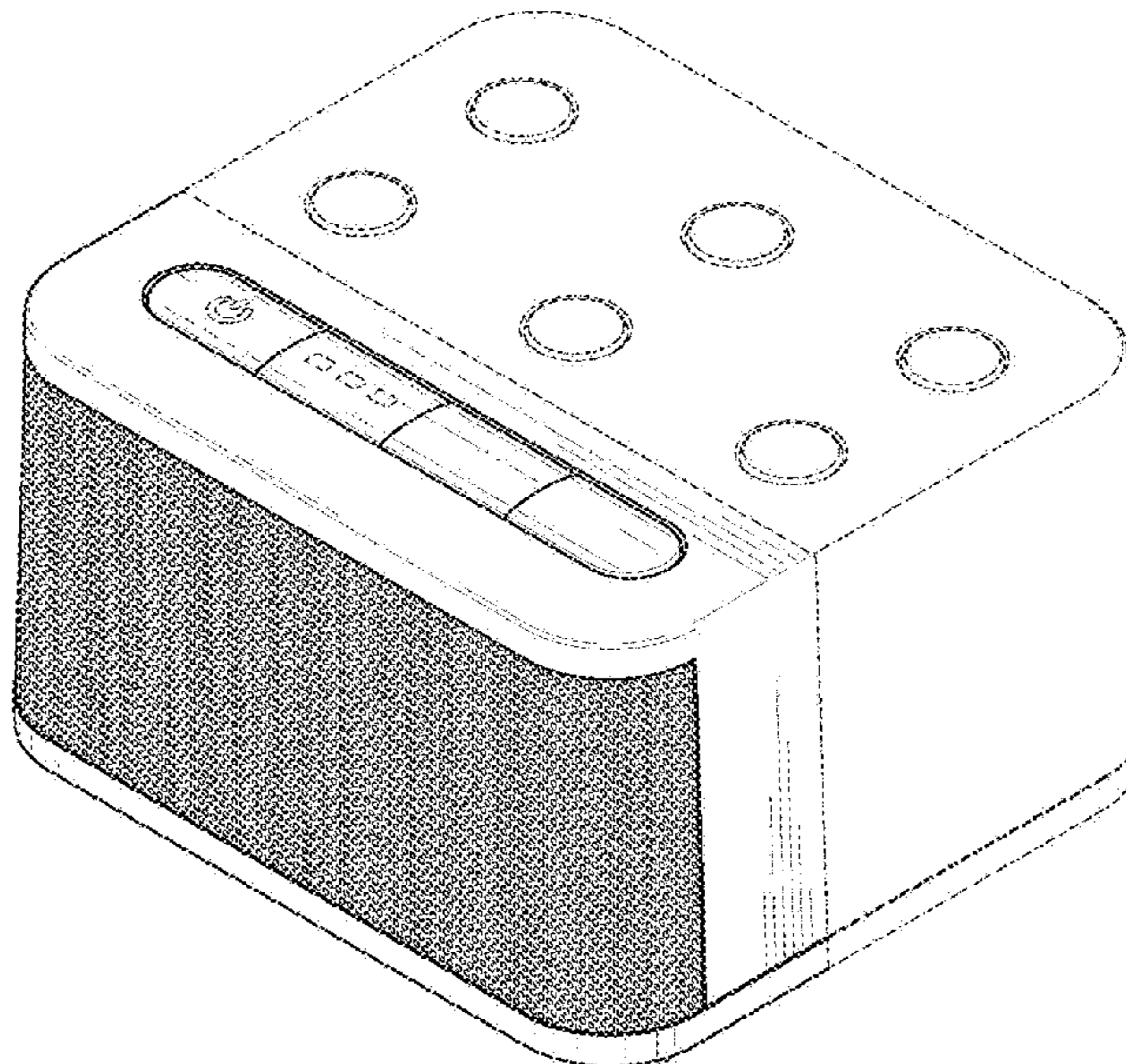
FIG. 5 is a back view thereof.

FIG. 6 is a first side view thereof; and,

FIG. 7 is a second side view thereof.

The broken lines in the figures illustrate the portions of the design that form no part of the claimed design.

**1 Claim, 4 Drawing Sheets**



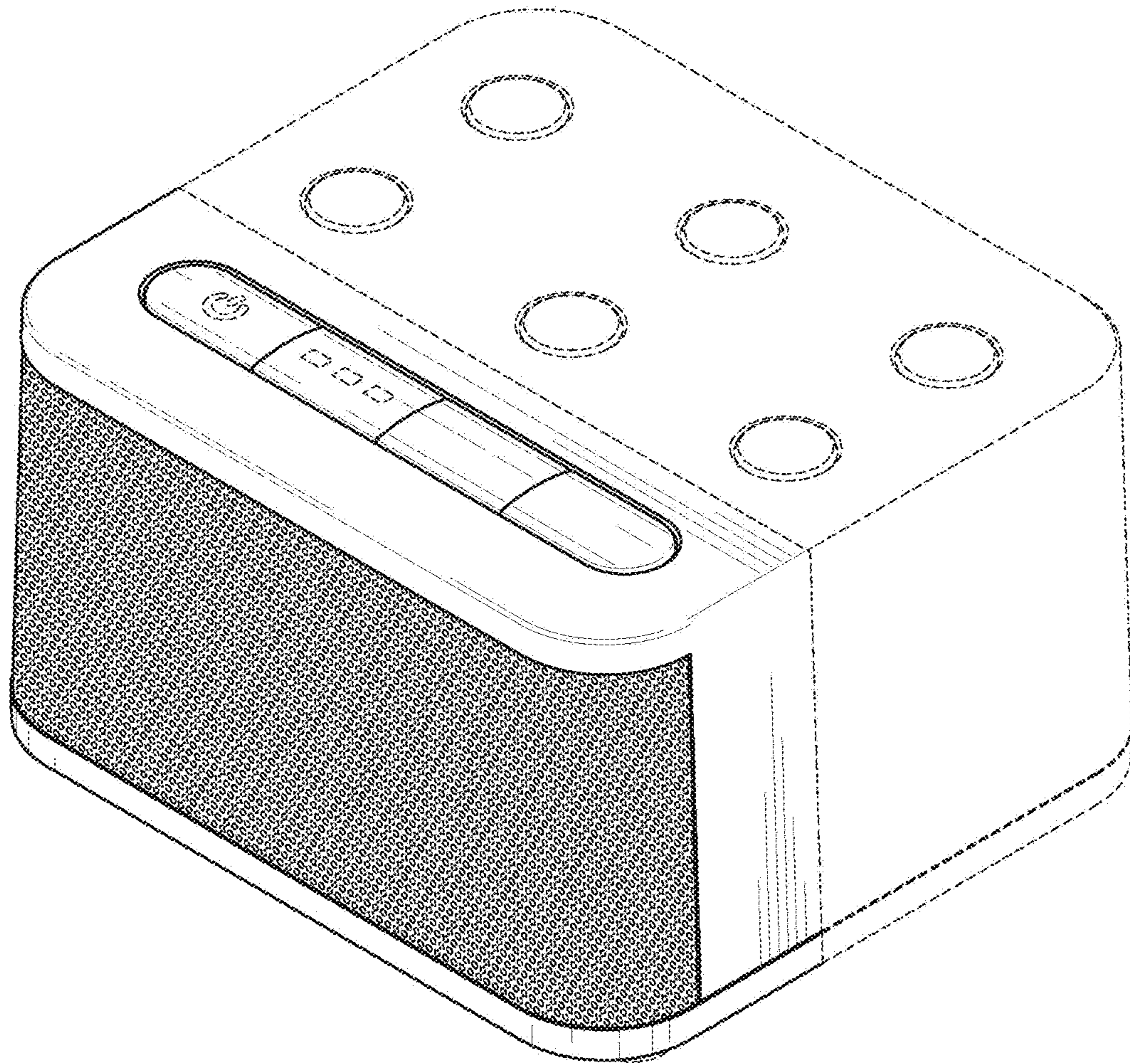
(56)

**References Cited**

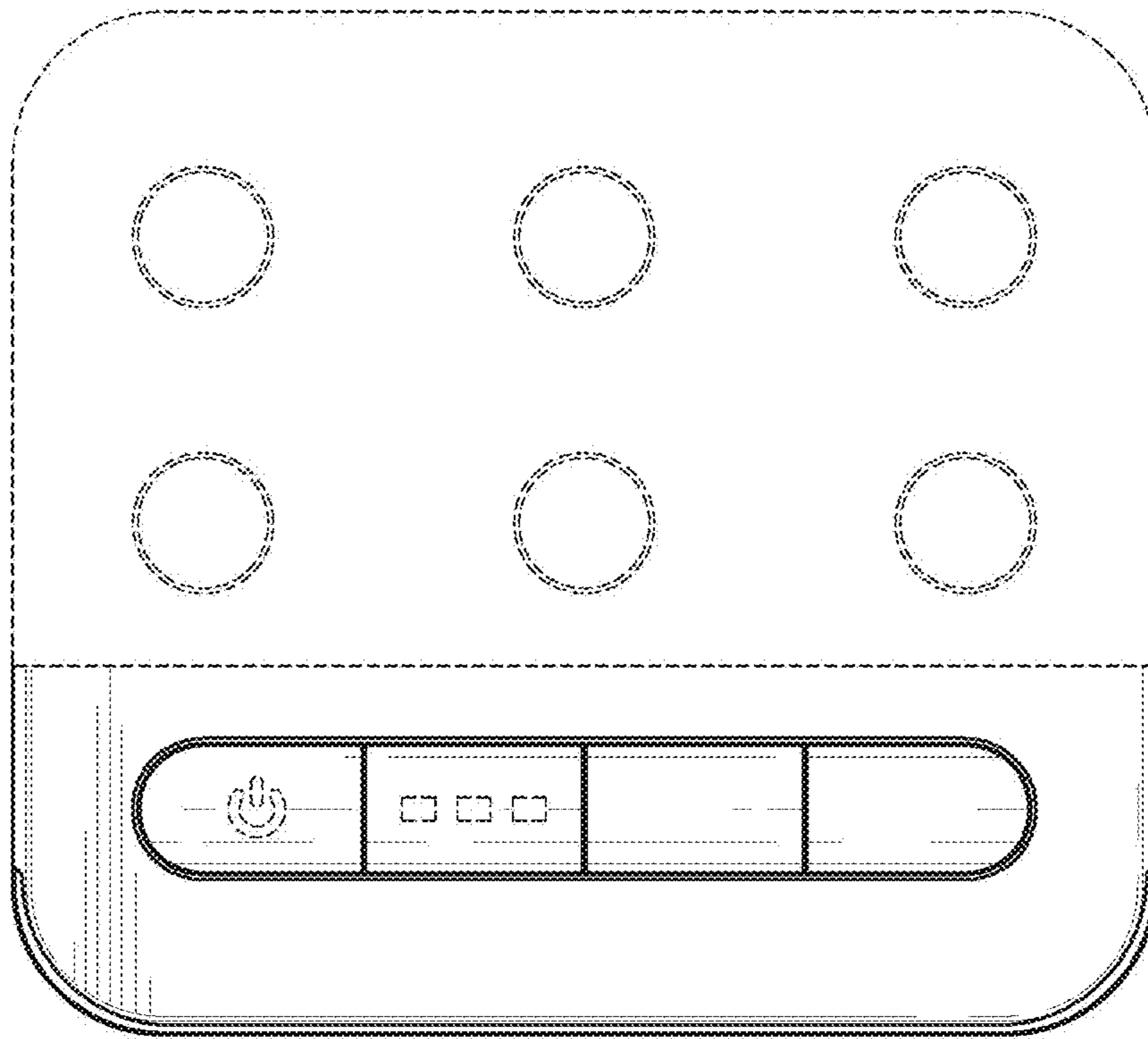
U.S. PATENT DOCUMENTS

D784,828 S \* 4/2017 Silvera ..... D10/21  
D826,938 S \* 8/2018 Son ..... D14/388  
D827,606 S 9/2018 Johnson

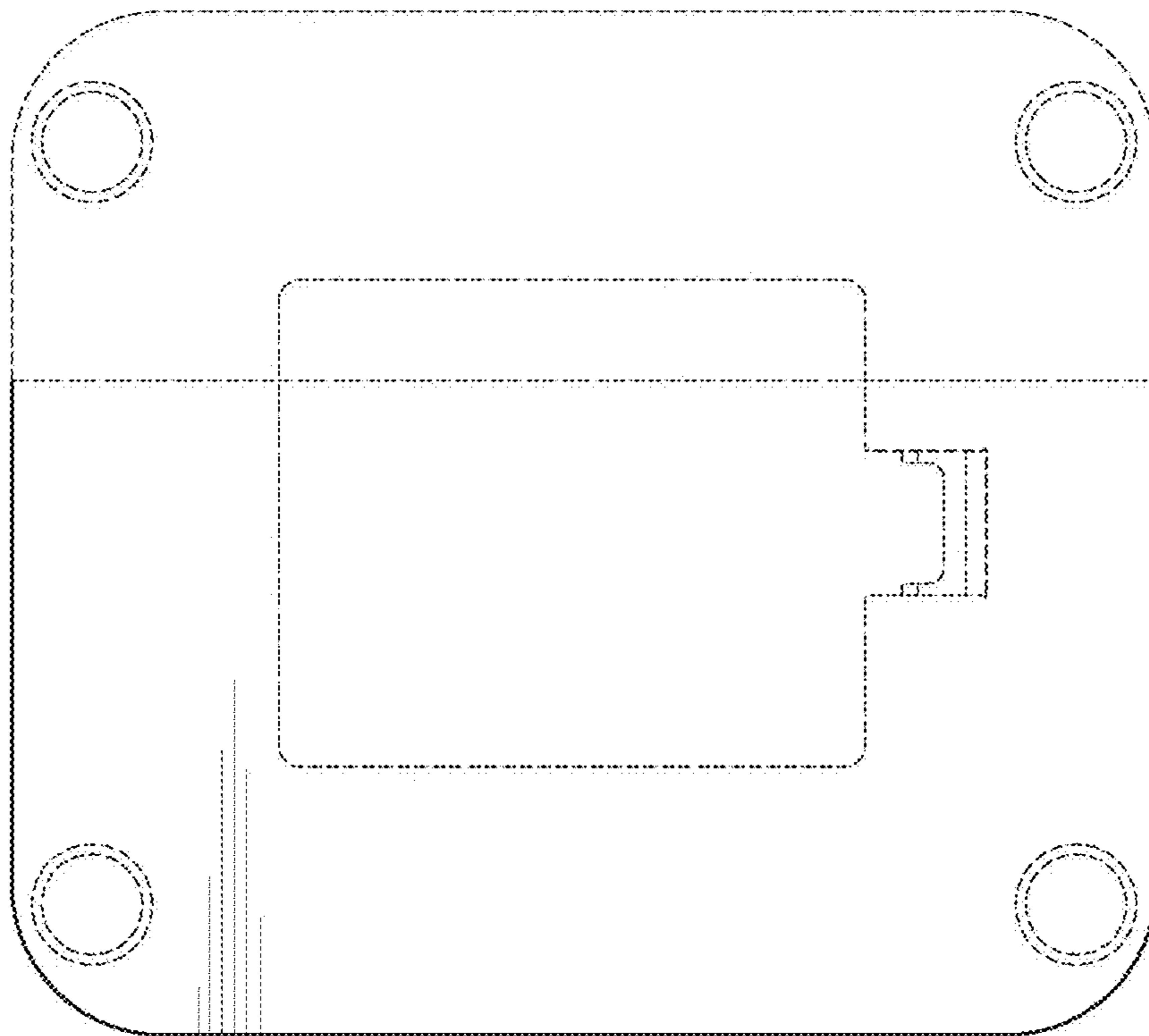
\* cited by examiner



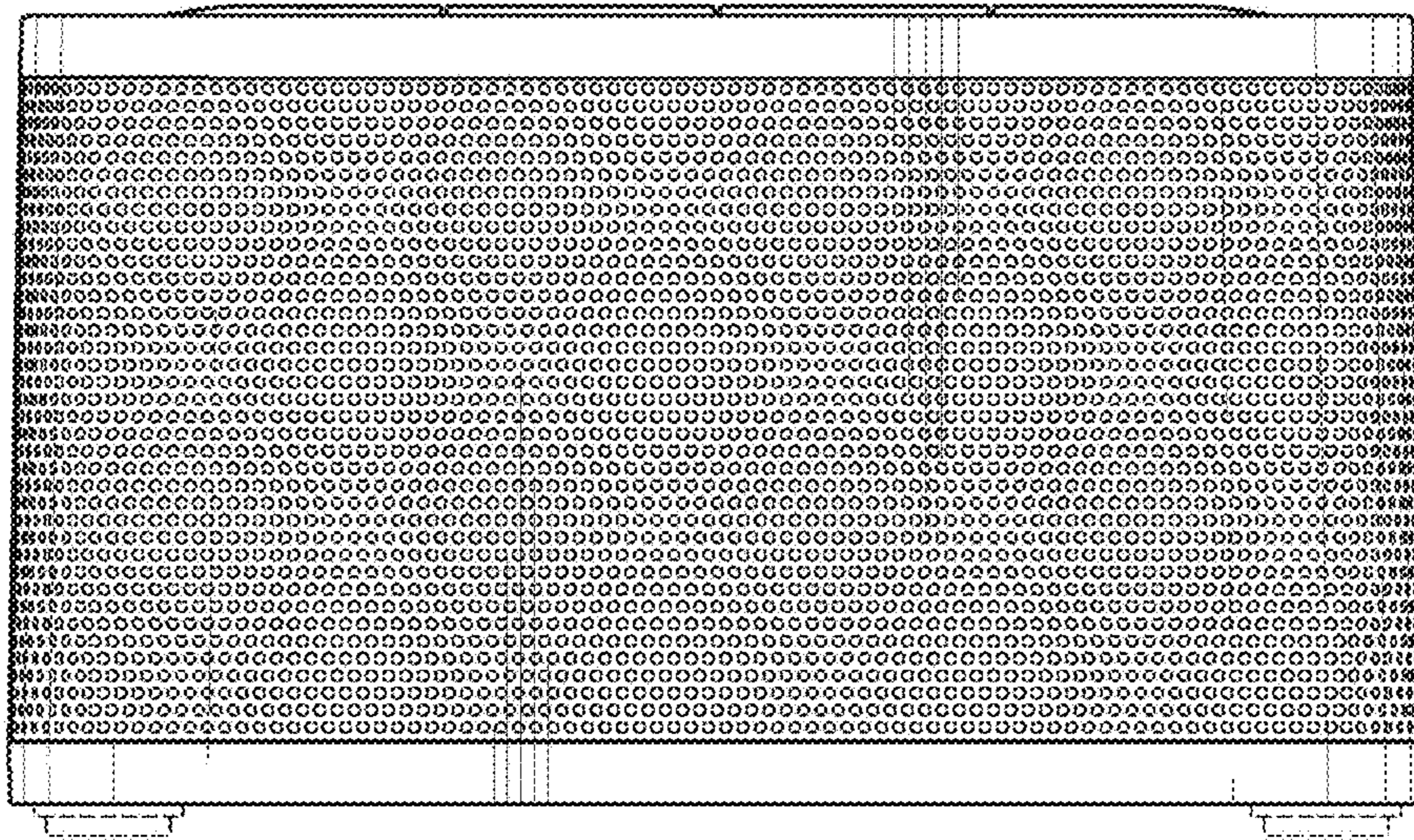
**FIG. 1**



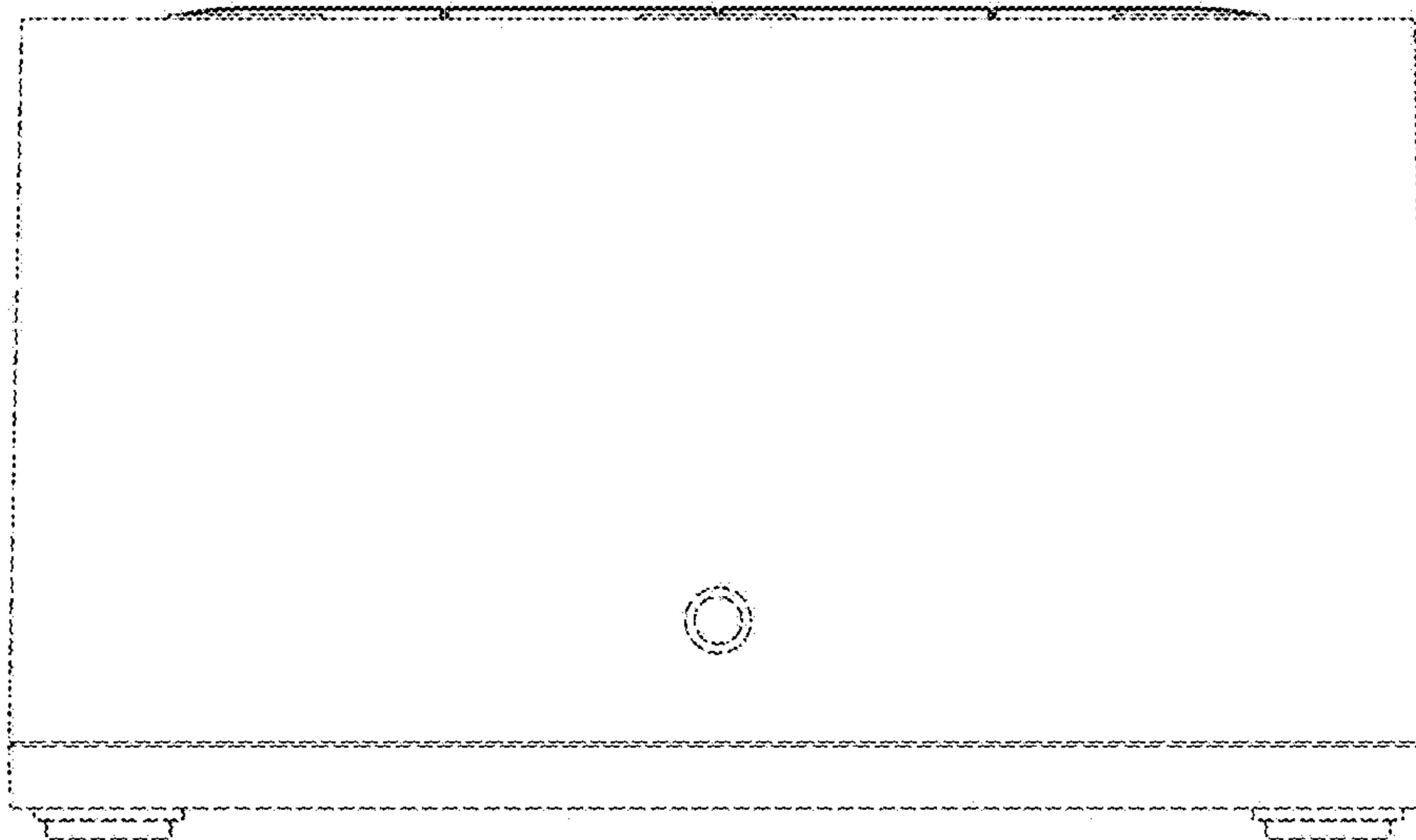
**FIG. 2**



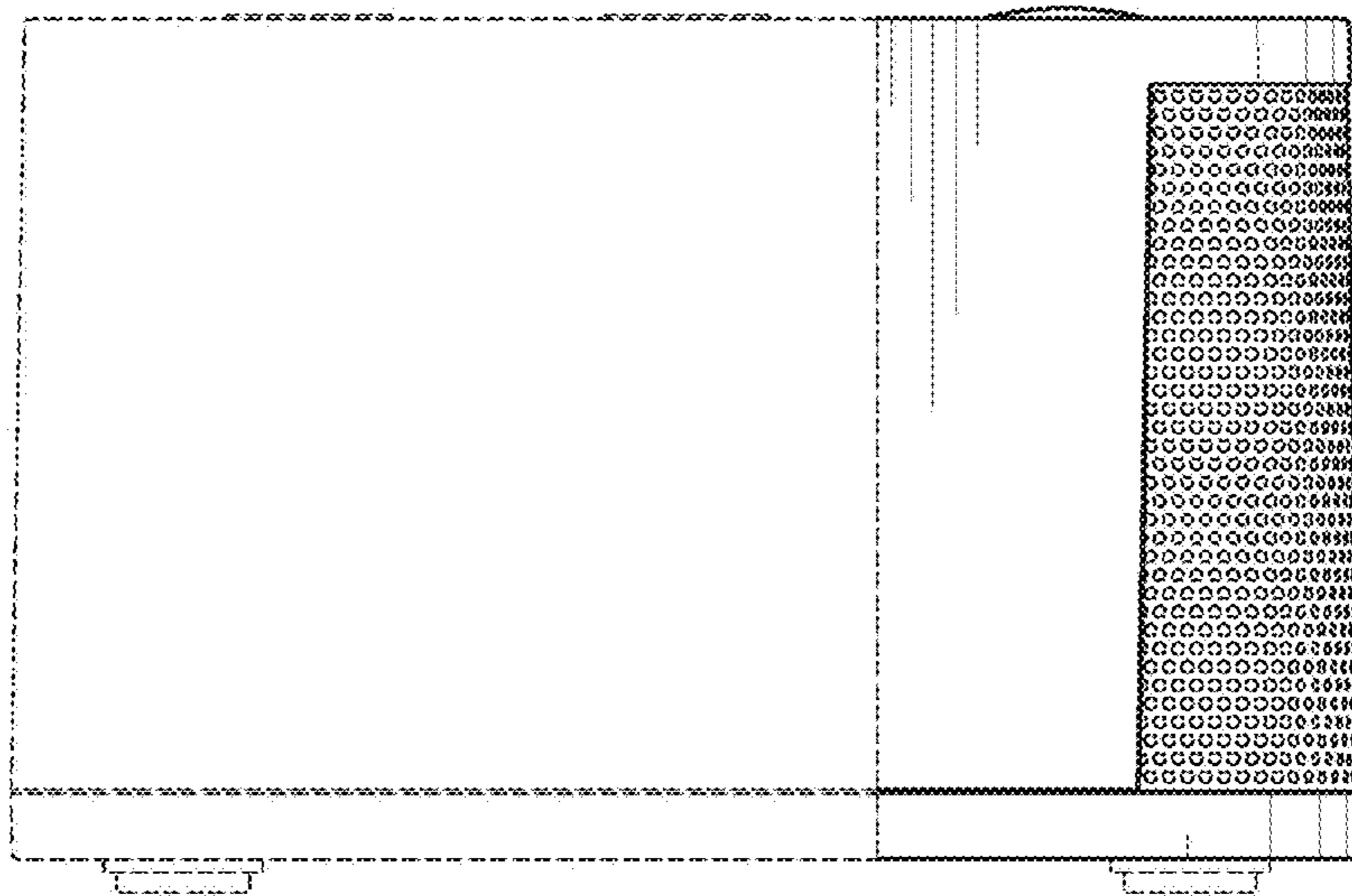
**FIG. 3**



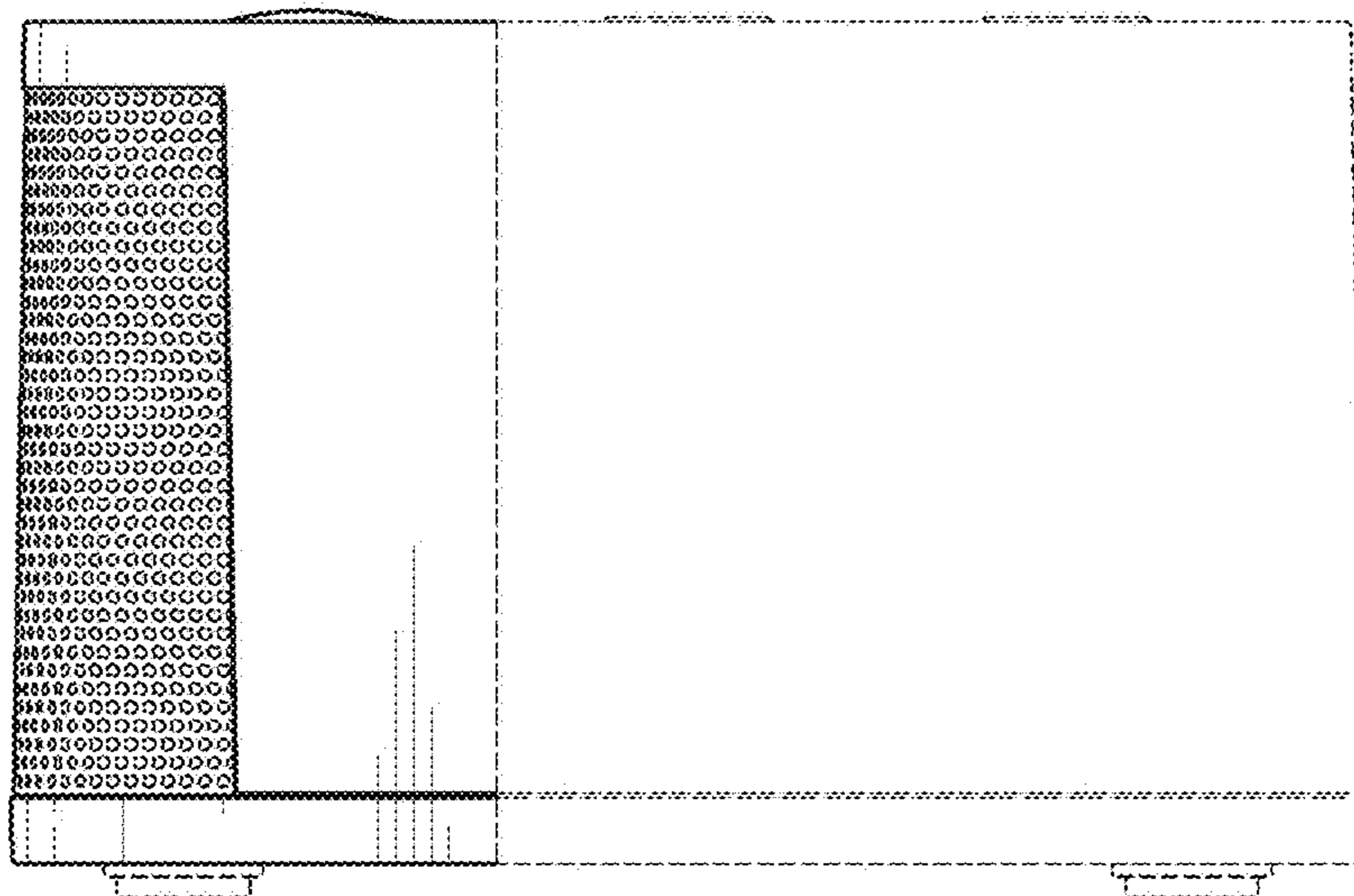
*FIG. 4*



*FIG. 5*



**FIG. 6**



**FIG. 7**