



US00D933037S

(12) **United States Design Patent**  
**Kim et al.**

(10) **Patent No.: US D933,037 S**

(45) **Date of Patent: \*\* Oct. 12, 2021**

(54) **AUDIO AMPLIFIER**

FOREIGN PATENT DOCUMENTS

(71) Applicant: **Dreamus Company**, Seoul (KR)

EM 006717146-0001 \* 8/2019

EM 006719142-0001 \* 8/2019

(72) Inventors: **Ji Sun Kim**, Seoul (KR); **San Il Choi**, Seoul (KR)

EM 006719167-0001 \* 8/2019

KR 30-0813804 S 8/2015

(73) Assignee: **DREAMUS COMPANY**, Seoul (KR)

OTHER PUBLICATIONS

(\*\*) Term: **15 Years**

SP1000 Amp, date not available, [retrieved Apr. 7, 2021], Retrieved from Internet, URL: <<https://www.astellnkern.com/eng/content/shop/features.asp?mcg=CG110090&mpos=3&scg=CG210450&spos=4&tcg&tpos=0&gcode=SC35620>> (Year: 2021).\*

(21) Appl. No.: **29/702,042**

(Continued)

(22) Filed: **Aug. 16, 2019**

(30) **Foreign Application Priority Data**

*Primary Examiner* — Barbara Fox

*Assistant Examiner* — Aram Kwon

Aug. 9, 2019 (KR) ..... 30-2019-0038089

(74) *Attorney, Agent, or Firm* — Hauptman Ham, LLP

(51) **LOC (13) Cl.** ..... **14-03**

(52) **U.S. Cl.**  
USPC ..... **D14/188**

(58) **Field of Classification Search**  
USPC ..... D14/137, 138 R–138 G, 155–159,  
D14/160–173, 187–188, 189–193,  
D14/203.1–203.8, 204–216, 217–222,  
D14/225–229, 496  
CPC ..... B60R 11/0217; H04M 1/03; H04M 1/035;  
H04N 5/642; H04N 21/4852; H04R 1/02;  
H04R 1/06; H04R 1/021; H04R 1/025;  
H04R 1/026; H04R 1/028; H04R 1/105;  
H04R 1/323; H04R 1/403; H04R 1/2803;  
H04R 1/2834

See application file for complete search history.

(56) **References Cited**

U.S. PATENT DOCUMENTS

D537,807 S \* 3/2007 Griffin ..... D14/155  
D544,462 S \* 6/2007 Patel ..... D14/155  
D546,277 S \* 7/2007 Andre ..... D13/103

(Continued)

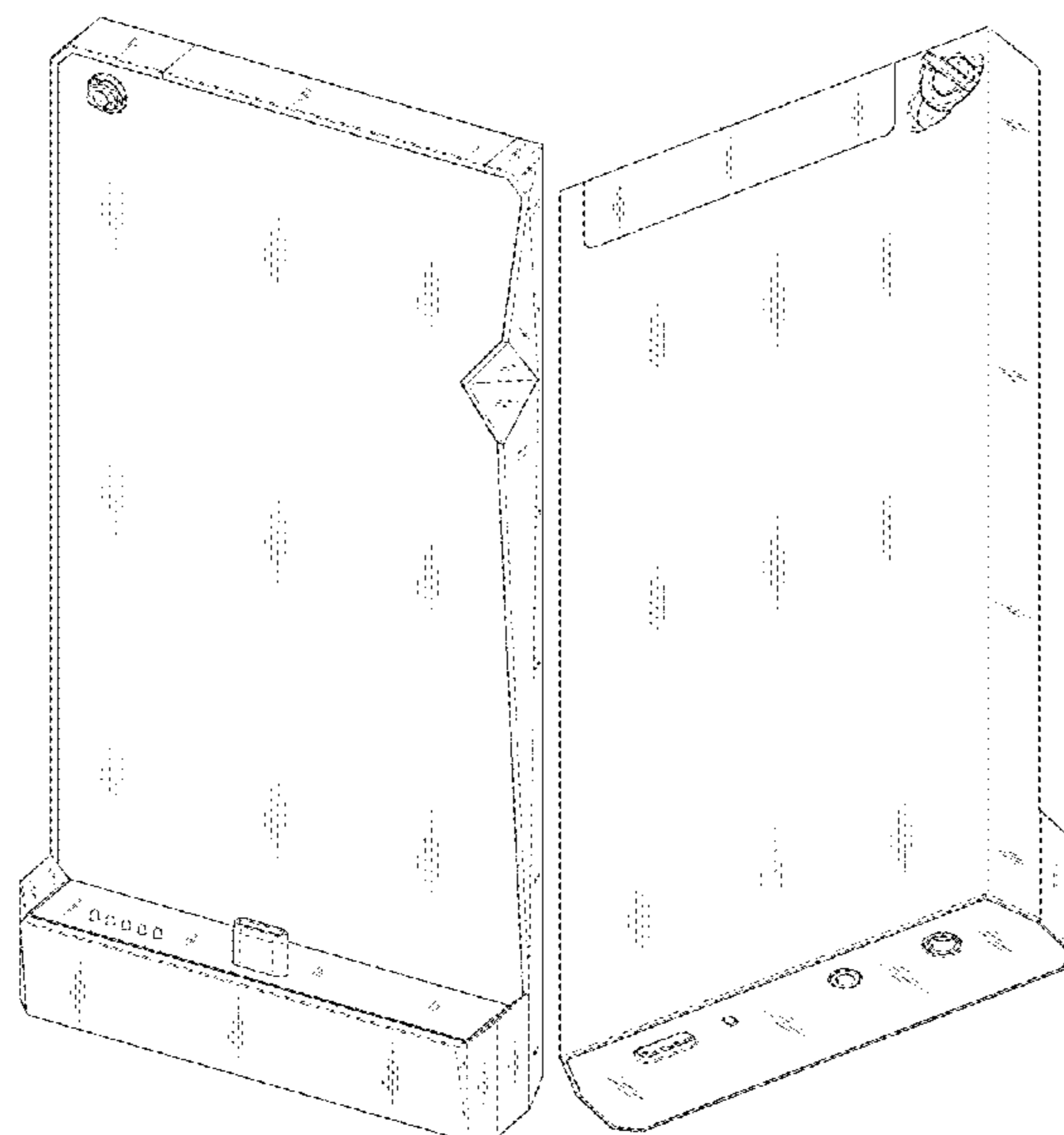
(57) **CLAIM**

The ornamental design for an audio amplifier, as shown and described.

**DESCRIPTION**

FIG. 1 is a perspective view of an audio amplifier showing our new design;  
FIG. 2 is another perspective view of the audio amplifier of FIG. 1;  
FIG. 3 is another perspective view of the audio amplifier of FIG. 1;  
FIG. 4 is a front view of the audio amplifier of FIG. 1;  
FIG. 5 is a rear side view of the audio amplifier of FIG. 1;  
FIG. 6 is a left side view of the audio amplifier of FIG. 1;  
FIG. 7 is a right side view of the audio amplifier of FIG. 1;  
FIG. 8 is a top view of the audio amplifier of FIG. 1; and,  
FIG. 9 is a bottom view of the audio amplifier of FIG. 1.  
In the drawings, the broken lines illustrate portions of the audio amplifier that form no part of the claimed design.

**1 Claim, 8 Drawing Sheets**



(56)

**References Cited**

## U.S. PATENT DOCUMENTS

D562,803 S \* 2/2008 Kim ..... D14/214  
D611,930 S \* 3/2010 Cho ..... D14/209.1  
D667,003 S \* 9/2012 Richter ..... D14/253  
D722,043 S \* 2/2015 Requa ..... D14/217  
D808,357 S \* 1/2018 Kim ..... D14/203.7  
D856,291 S \* 8/2019 Sun ..... D14/125  
D892,761 S \* 8/2020 Choi ..... D14/203.7  
D901,433 S \* 11/2020 Jeong ..... D14/203.7  
D901,434 S \* 11/2020 Choi ..... D14/203.7  
D903,623 S \* 12/2020 Nosal ..... D14/159  
D907,000 S \* 1/2021 Nosal ..... D14/159  
2019/0132669 A1 \* 5/2019 Qin ..... H04R 1/023  
2019/0132670 A1 \* 5/2019 Qin ..... H04R 7/127

## OTHER PUBLICATIONS

Deciding time, Astell and Kern SP2000 or AK SP1000 Amp, May 9, 2019, [retrieved Apr. 7, 2021], Retrieved from Internet, URL: <<https://www.youtube.com/watch?v=HiTteKvdghg>> (Year: 2019).\*

Astell&Kern SP1000 Amplifier Unboxing, Jul. 17, 2019, [retrieved Apr. 7, 2021], Retrieved from Internet, URL: <<https://www.youtube.com/watch?v=V3wa1AIFNbo>> (Year: 2019).\*

Korean Office Action for corresponding Korean application No. 30-2019-0038089 dated Mar. 12, 2020.

[Supportive Materials for Exception to Loss of Novelty] Blog in the Astell&kern & Kern US homepage, published on May 7, 2019, by Dreamus Company, for the corresponding Korean Design Application 30-2019-0038089.

\* cited by examiner

FIG. 1

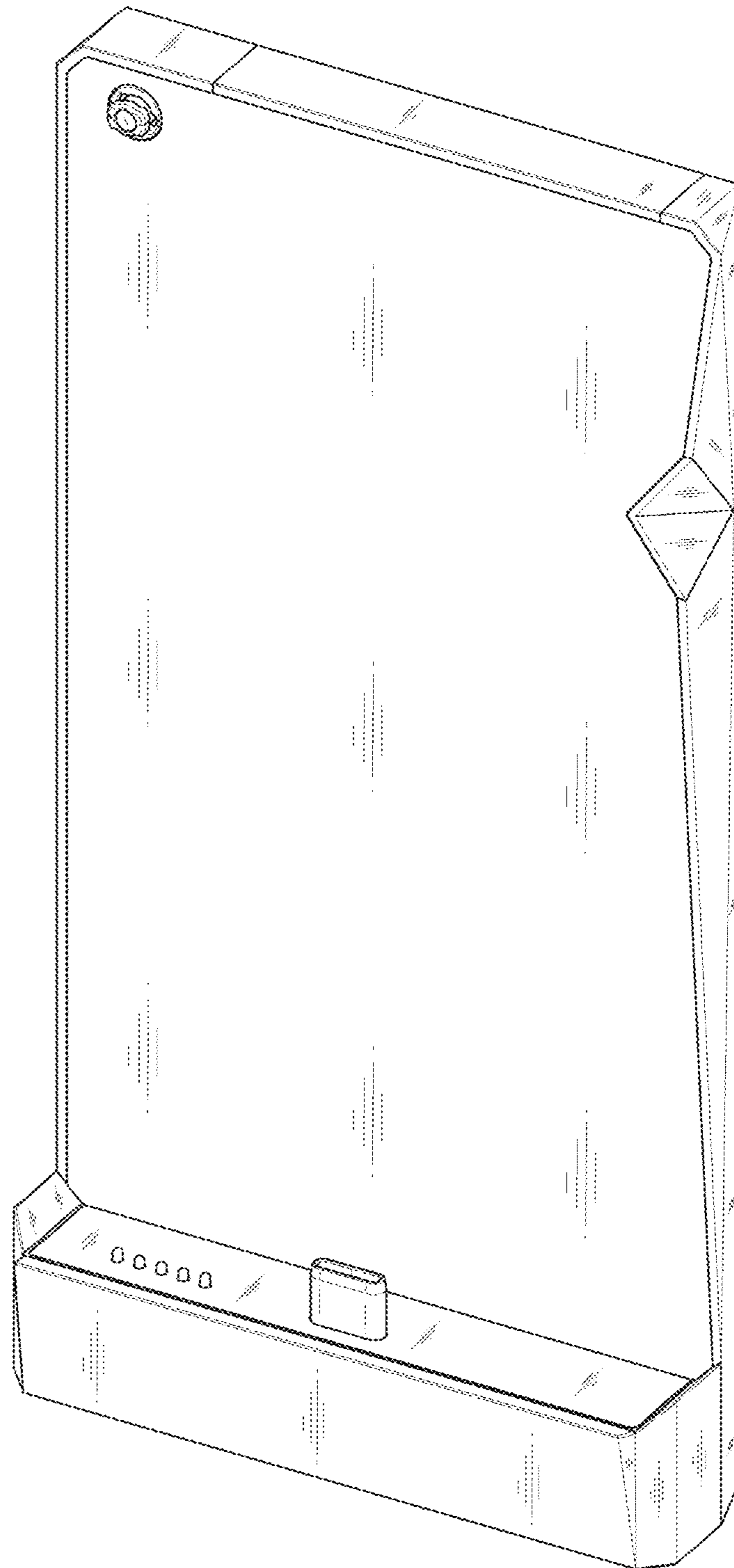


FIG. 2

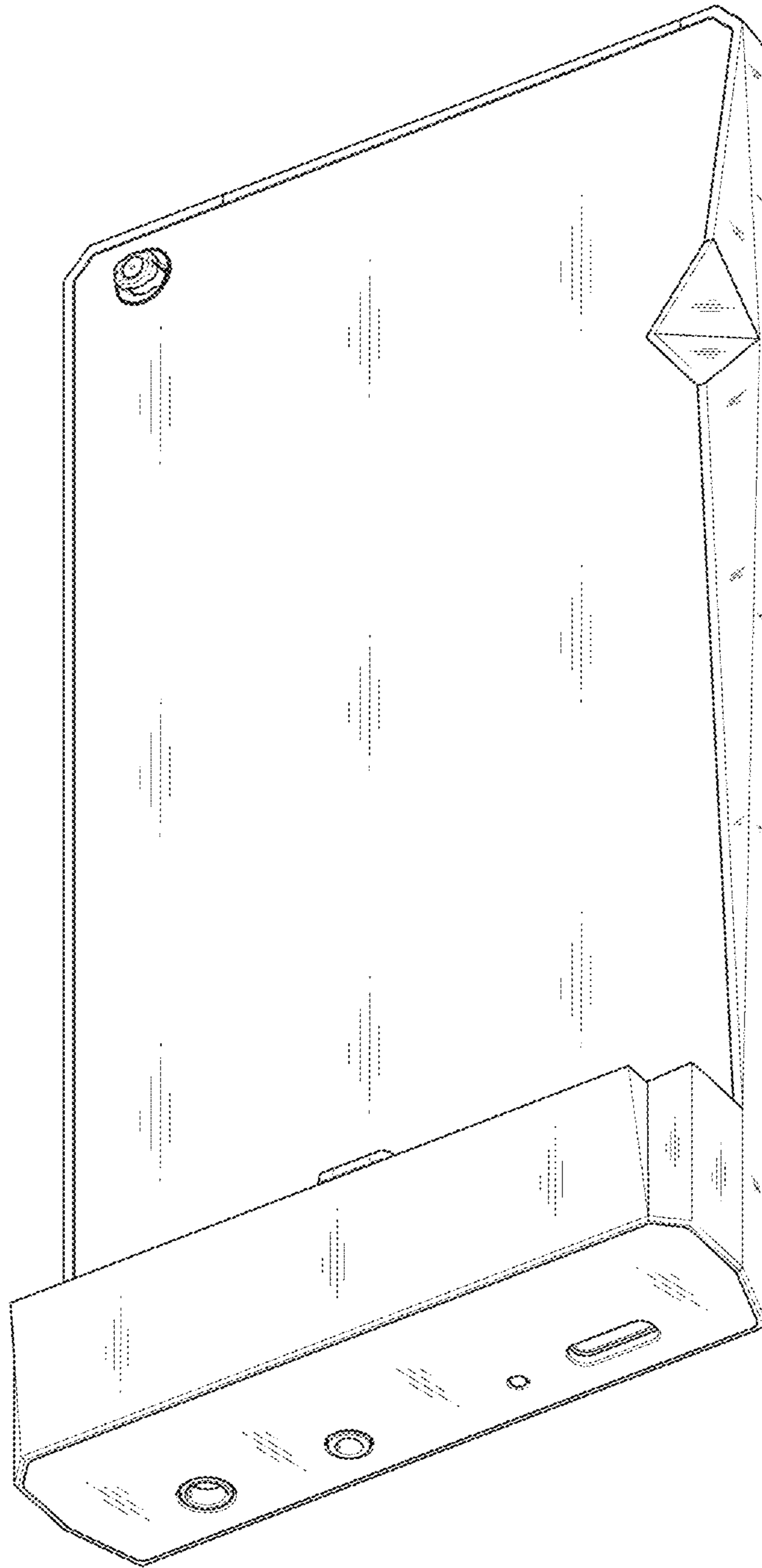


FIG. 3

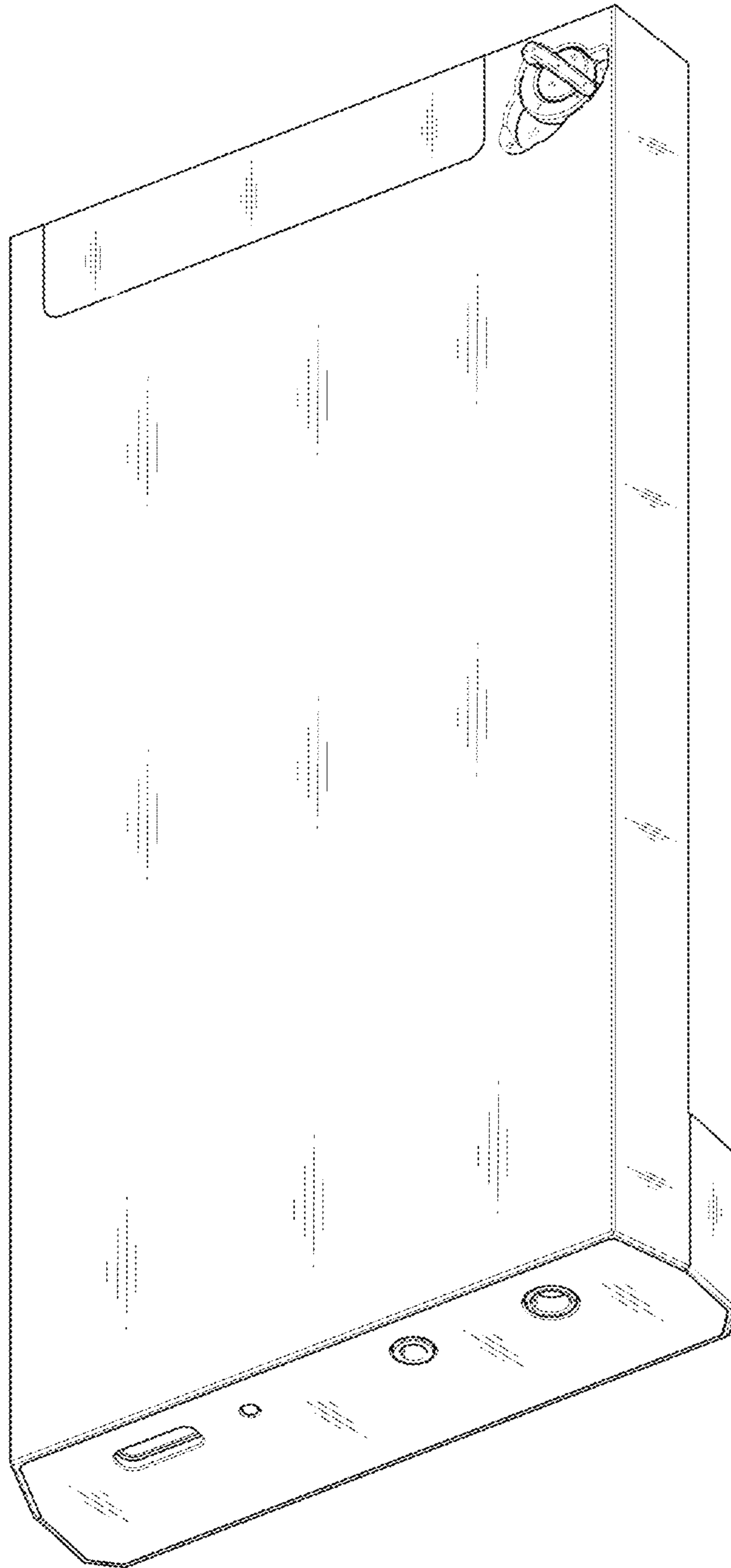


FIG. 4

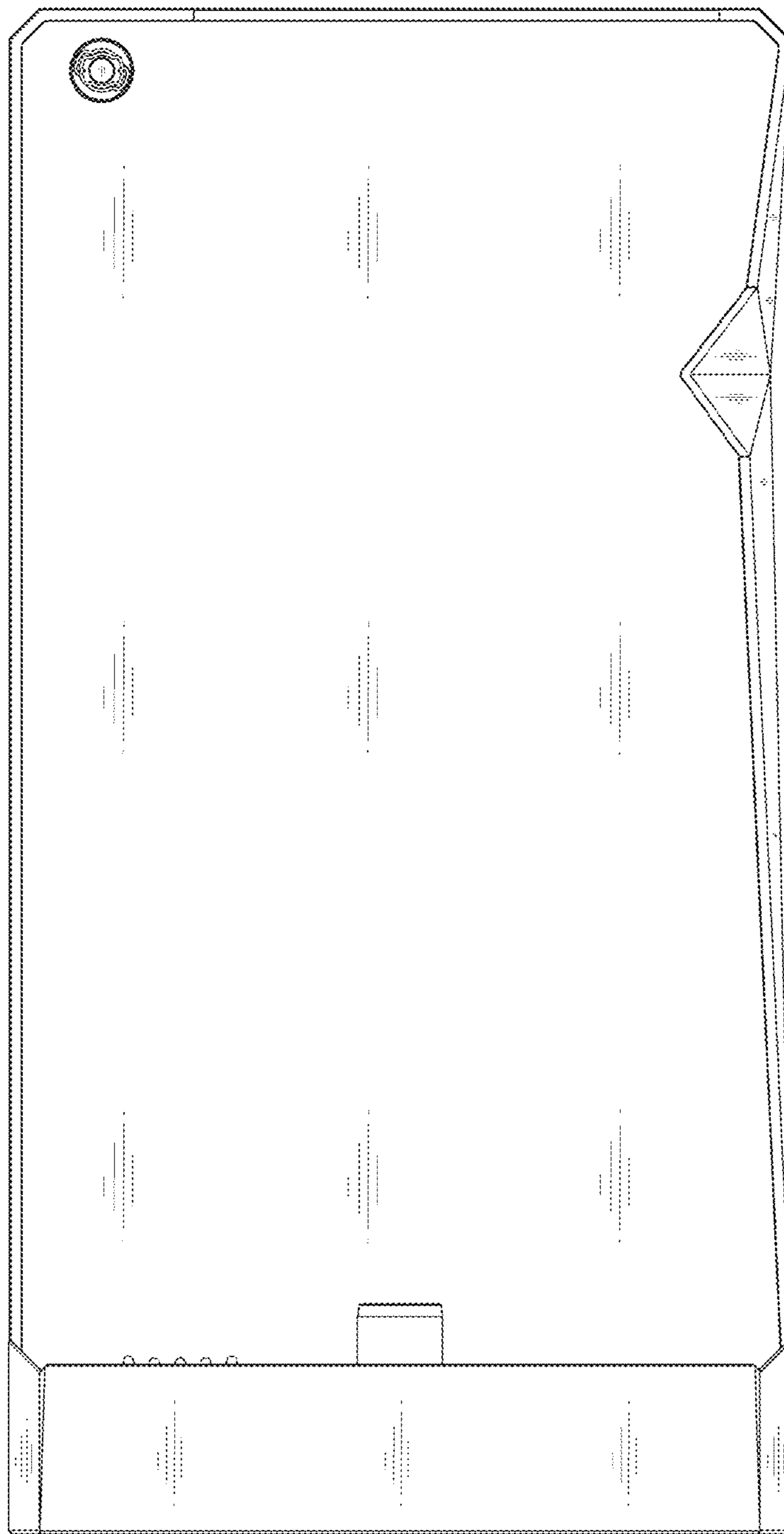


FIG. 5

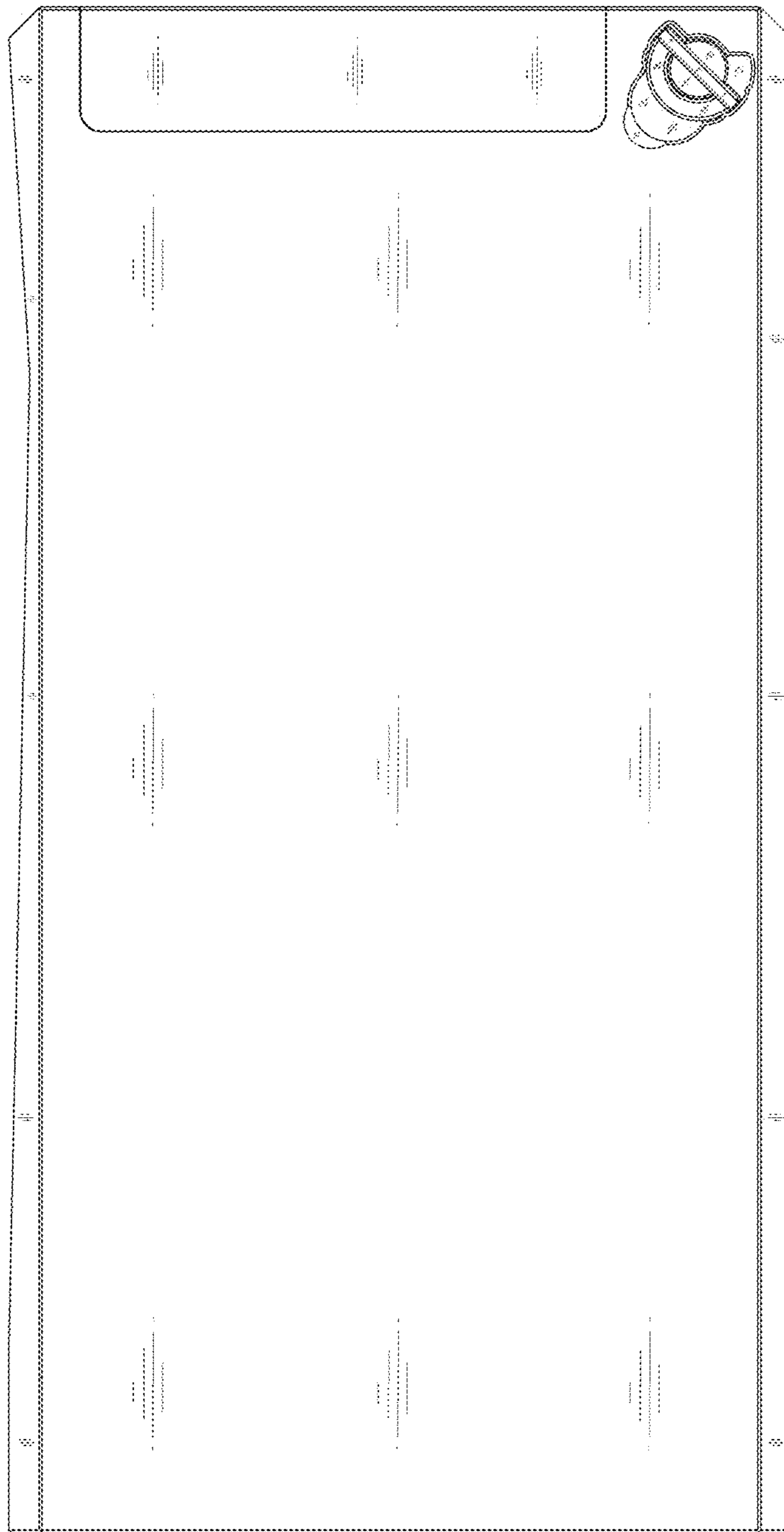


FIG. 6

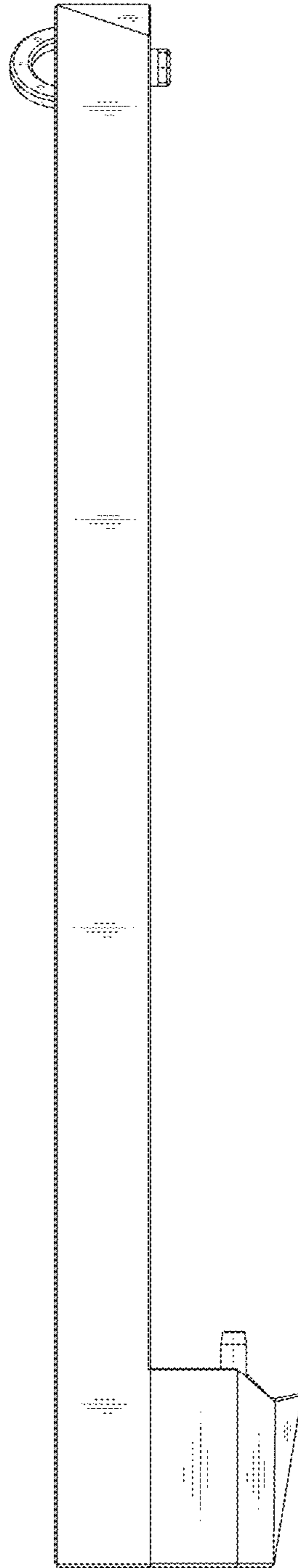




FIG. 7

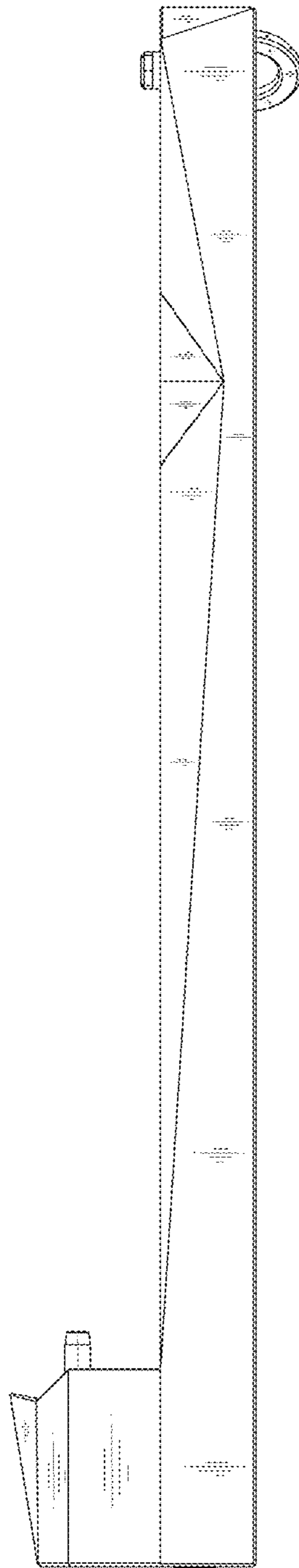


FIG. 8

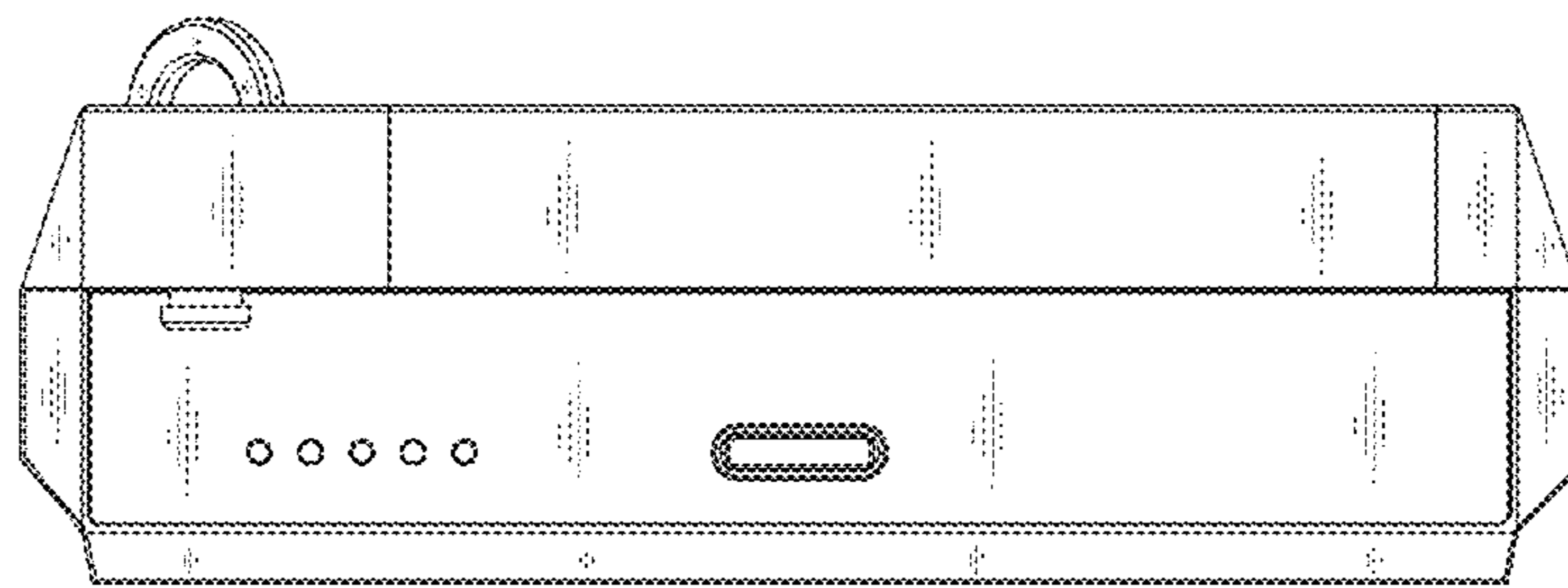


FIG. 9

