



US00D933036S

(12) **United States Design Patent**
Hong

(10) **Patent No.:** **US D933,036 S**

(45) **Date of Patent:** **** Oct. 12, 2021**

(54) **WALKIE TALKIE**

(71) Applicant: **Shuzhi Hong**, Fujian (CN)

(72) Inventor: **Shuzhi Hong**, Fujian (CN)

(**) Term: **15 Years**

(21) Appl. No.: **29/682,017**

(22) Filed: **Mar. 1, 2019**

(30) **Foreign Application Priority Data**

Oct. 8, 2018 (CN) 201830560169.1

(51) **LOC (13) Cl.** **14-03**

(52) **U.S. Cl.**
USPC **D14/137**

(58) **Field of Classification Search**
USPC D14/137, 138 AA, 147, 148, 218, 155,
D14/159, 142, 225, 226, 191, 203.3,
D14/203.7, 203.1, 203.5, 188, 192,
D14/194-198, 214, 219, 221, 172, 167;
D21/517, 566, 324, 329, 331; D10/104.1,
D10/104.2, 106.1, 65, 78; D13/168;
D30/199

CPC H04B 1/3833; H04B 1/3827; H04B
2001/3861; H04M 1/233; G08B 21/0202
See application file for complete search history.

(56) **References Cited**

U.S. PATENT DOCUMENTS

4,856,088 A * 8/1989 Oliwa G08B 5/225
455/349
D355,385 S * 2/1995 Abrams D14/159
D635,545 S * 4/2011 Sakai D14/167
D637,174 S * 5/2011 Elkerbout D14/159
D677,230 S * 3/2013 Ooi D14/137
D680,011 S * 4/2013 Chen D10/97
D685,753 S * 7/2013 Kang D14/137
D700,157 S * 2/2014 Kang D14/137

D711,346 S * 8/2014 Ismail D14/191
D717,258 S * 11/2014 Garra D14/137
D721,861 S * 1/2015 Guo D30/199

(Continued)

FOREIGN PATENT DOCUMENTS

CN 304257631 * 8/2017
CN 305231782 * 6/2019

(Continued)

OTHER PUBLICATIONS

Skip to the beginning of the images gallery RT65/RT665 . . . , posted on YouTube.com Sep. 6, 2019, [online], [site visited Jun. 22, 2021]. Internet URL: <https://www.youtube.com/watch?v=NqEn7U1348o> (Year: 2019).*

(Continued)

Primary Examiner — Jeffrey D Asch

(57) **CLAIM**

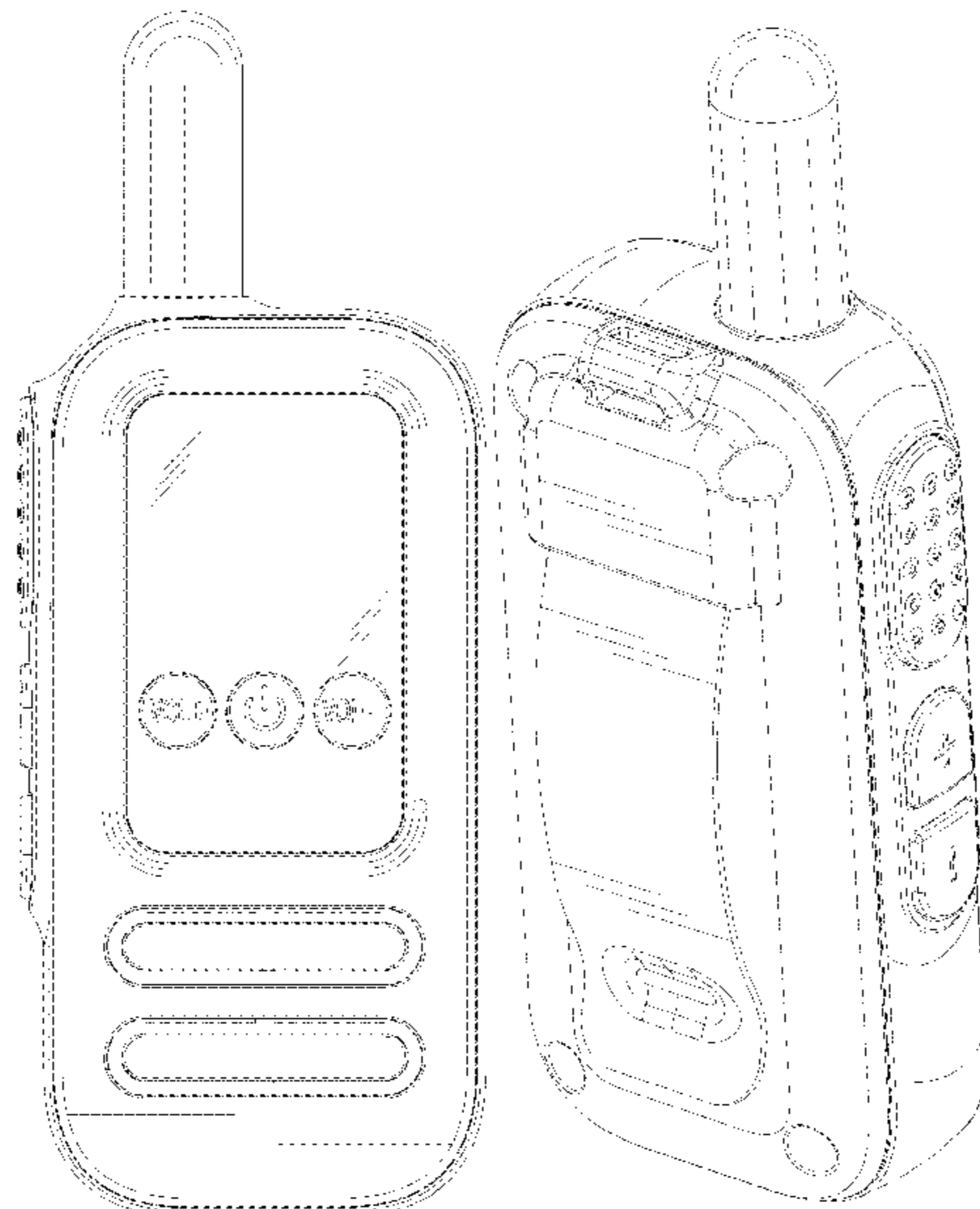
The ornamental design for a walkie talkie, as shown and described.

DESCRIPTION

FIG. 1 is a front elevational view of a walkie talkie showing my new design;
FIG. 2 is a rear elevational view thereof;
FIG. 3 is a left side view thereof;
FIG. 4 is a right side view thereof;
FIG. 5 is a top plan view thereof;
FIG. 6 is a bottom plan view thereof;
FIG. 7 is a perspective view thereof; and,
FIG. 8 is another perspective view thereof.

The broken lines shown in the drawing are included to illustrate portions of the article that form no part of the claimed design. The interior surfaces of the rear screw openings, recessed beyond thin edge thickness, and shown without shading in FIGS. 3-6 and 8, form no part of the claimed design.

1 Claim, 8 Drawing Sheets



(56)

References Cited

U.S. PATENT DOCUMENTS

D831,601 S * 10/2018 Ooi D14/137
D851,615 S * 6/2019 Lee D14/137
D873,784 S * 1/2020 Woo D14/137
D875,699 S * 2/2020 Hong D14/137
D876,382 S * 2/2020 Hong D14/137
D879,390 S * 3/2020 Cai D30/199
D914,630 S * 3/2021 Li D14/137
D915,319 S * 4/2021 Tschopp D14/137
D917,411 S * 4/2021 Xiao D14/137
D920,270 S * 5/2021 Xiao D14/137
2005/0190041 A1 * 9/2005 Sahai B60R 25/1003
340/5.72

FOREIGN PATENT DOCUMENTS

CN 306451266 * 4/2021
CN 306550715 * 5/2021
JP D1534537 * 10/2015

OTHER PUBLICATIONS

Retevis RT65 License-free family radio unboxing, posted on YouTube.
com Aug. 22, 2019, [online], [site visited Jun. 22, 2021]. Internet
URL: <https://www.youtube.com/watch?v=Q1zJ-qXbku8> (Year: 2019).*

* cited by examiner

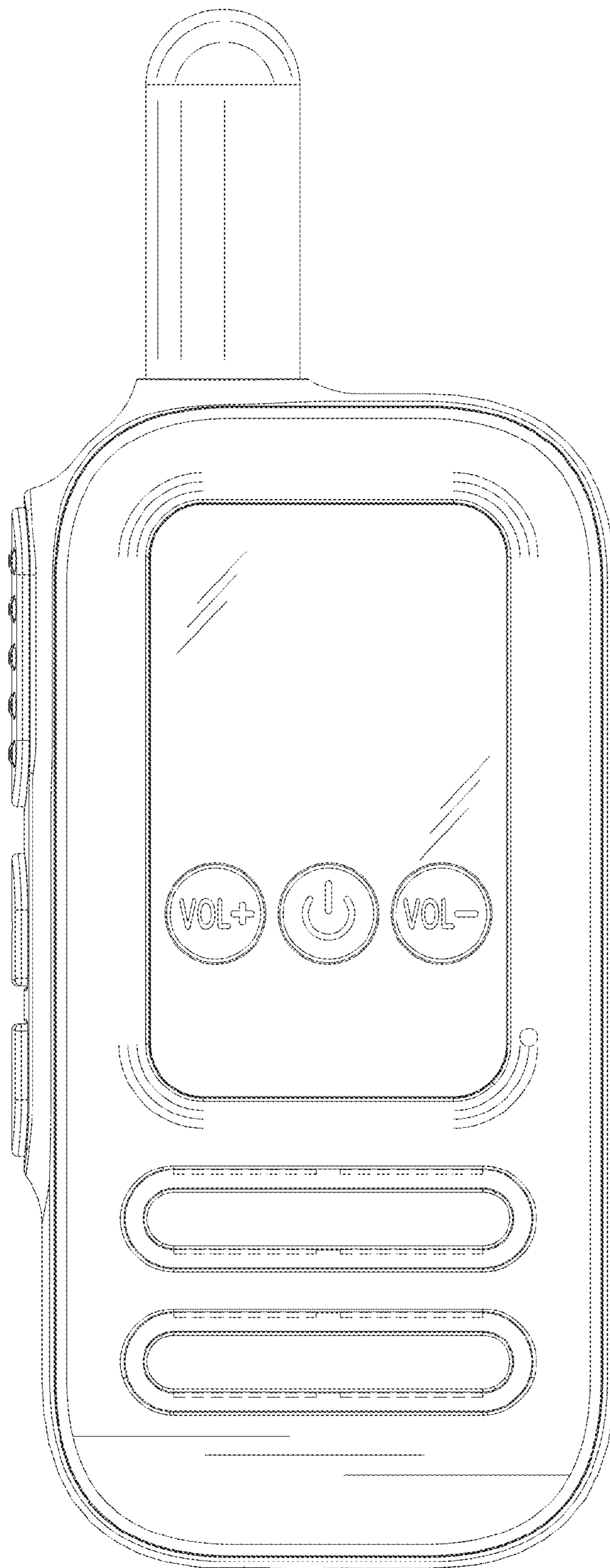


Fig. 1

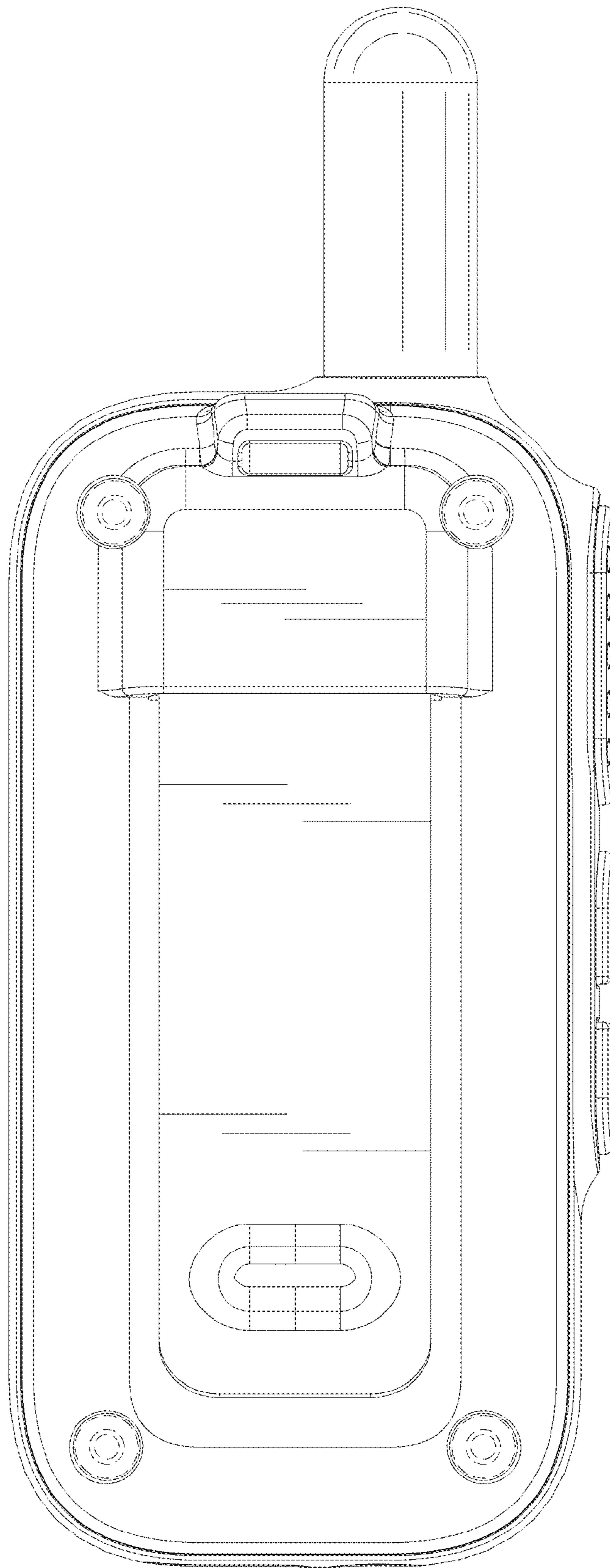


Fig. 2

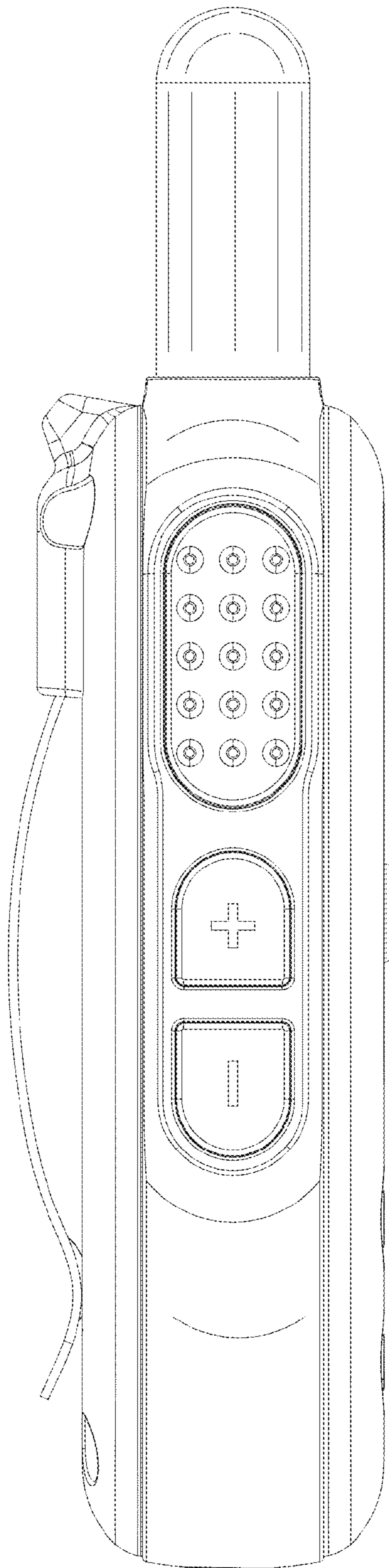


Fig. 3

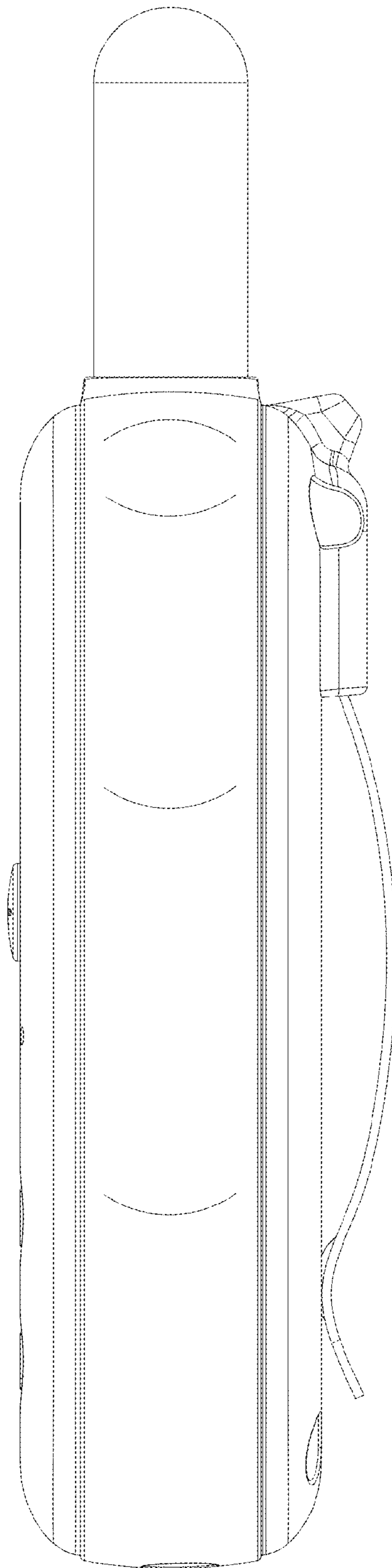


Fig. 4

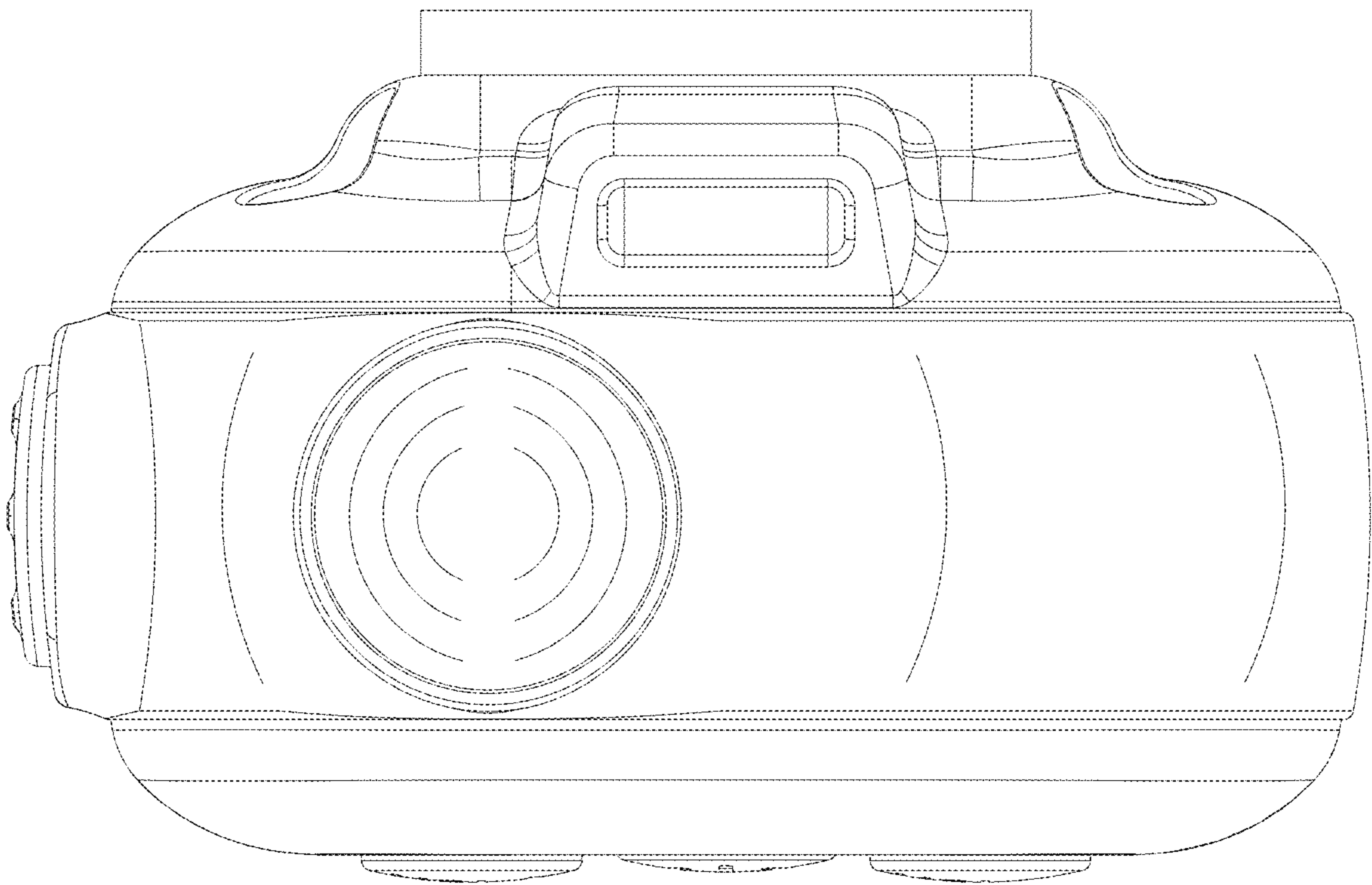


Fig. 5

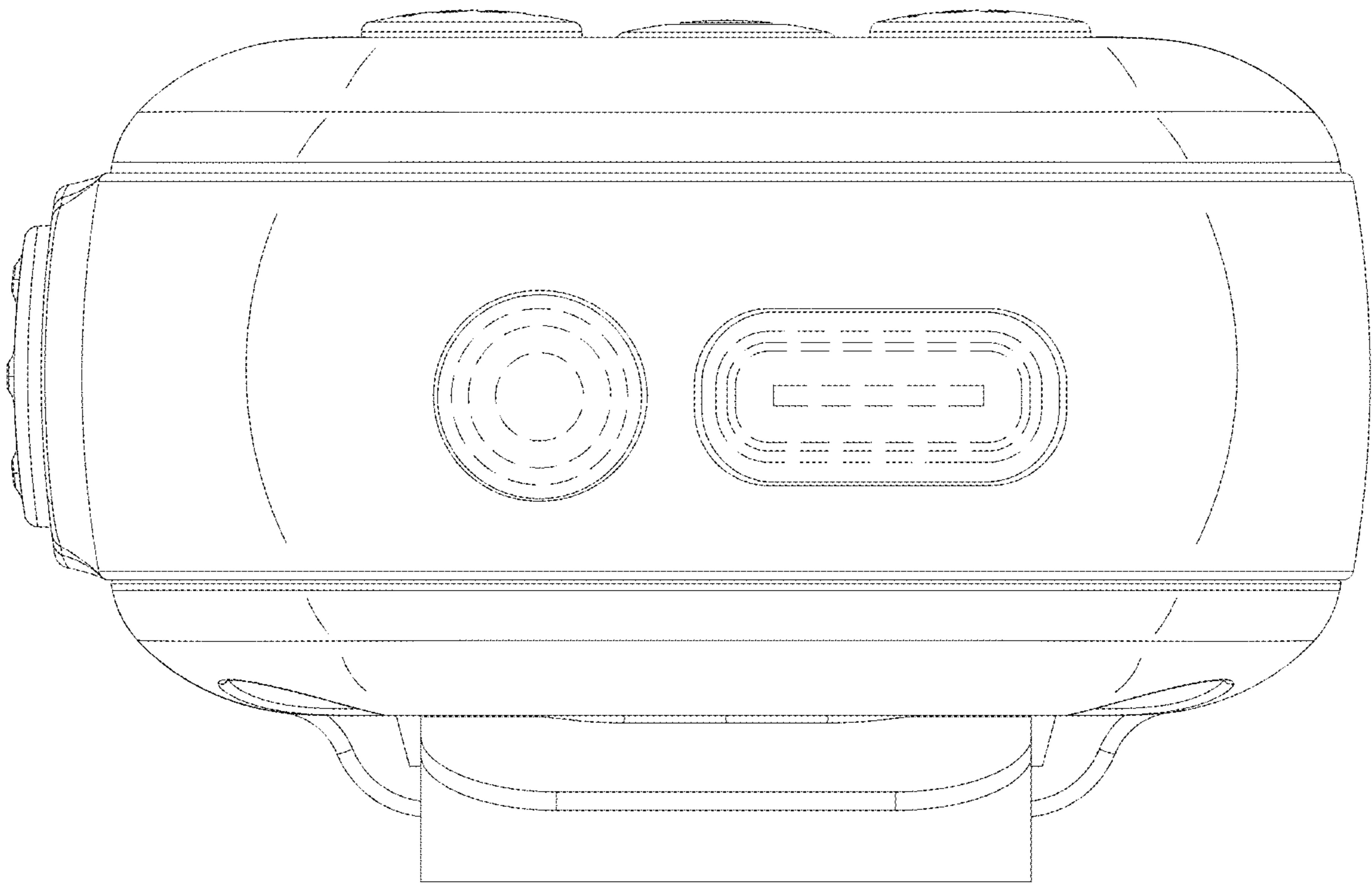


Fig. 6

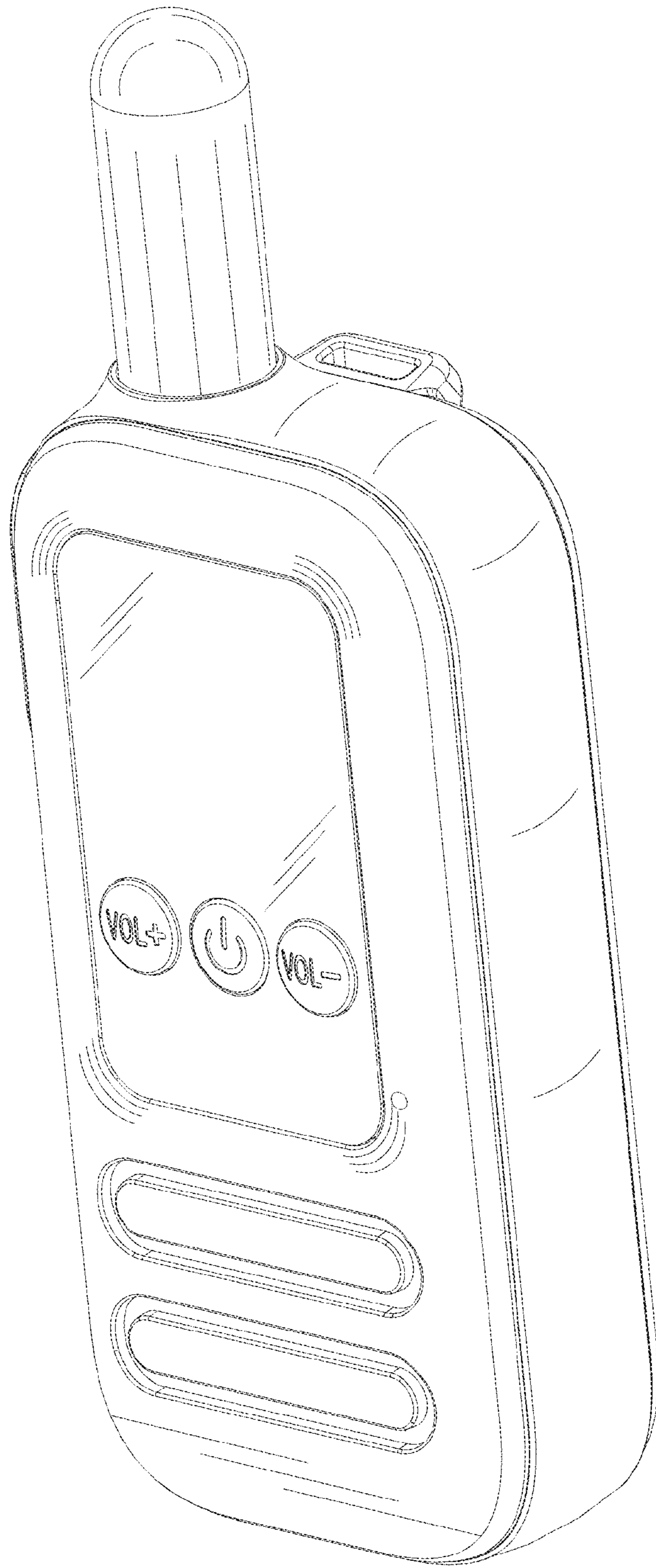


Fig. 7

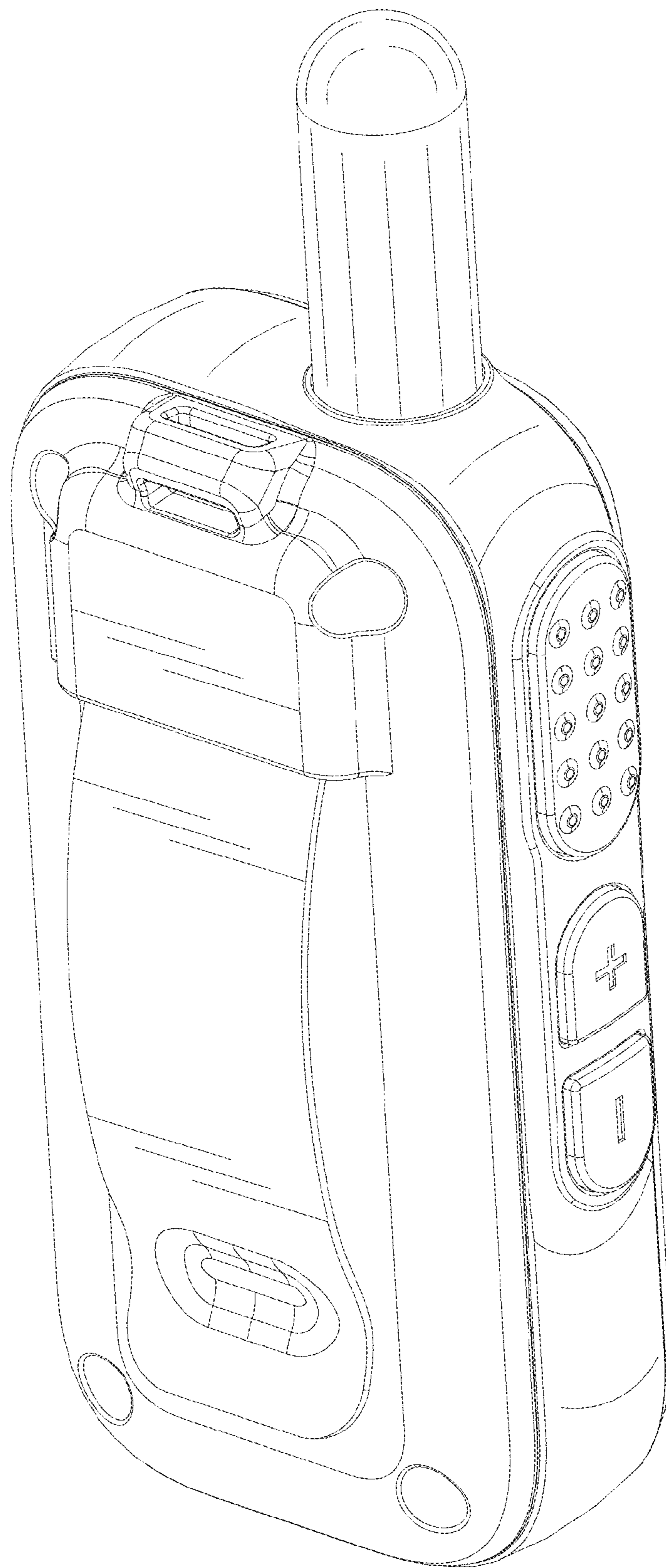


Fig. 8