



US00D933030S

(12) **United States Design Patent** (10) **Patent No.:** **US D933,030 S**
Dimberg et al. (45) **Date of Patent:** **** *Oct. 12, 2021**

(54) **REMOTE CONTROL DEVICE**

H05B 39/085; H05B 39/086; H05B 39/088; H01R 13/713; H01R 13/7135

(71) Applicant: **Lutron Technology Company LLC**,
Coopersburg, PA (US)

See application file for complete search history.

(72) Inventors: **Chris Dimberg**, Easton, PA (US);
Jason C. Killo, Emmaus, PA (US);
Matthew Philip McDonald,
Phoenixville, PA (US); **Daniel L.**
Twaddell, Allentown, PA (US)

(56) **References Cited**

U.S. PATENT DOCUMENTS

D169,574 S 5/1953 Bordner
D208,025 S 7/1967 Weitzman
(Continued)

(73) Assignee: **Lutron Technology Company LLC**,
Coopersburg, PA (US)

FOREIGN PATENT DOCUMENTS

(*) Notice: This patent is subject to a terminal disclaimer.

EM 002144899-0011 2/2013
EM 002144899-0012 2/2013
(Continued)

(**) Term: **15 Years**

OTHER PUBLICATIONS

(21) Appl. No.: **29/740,765**

iDEVICES LLC, The iDevices Advantage, specification sheet, available at least as early as 2017 (21 pages).
U.S. Appl. No. 29/640,715, filed Mar. 16, 2018 (unpublished).

(22) Filed: **Jul. 7, 2020**

Related U.S. Application Data

(63) Continuation of application No. 29/705,783, filed on Sep. 16, 2019, now Pat. No. Des. 892,065, which is (Continued)

Primary Examiner — Selina Sikder

(74) *Attorney, Agent, or Firm* — Saidman DesignLaw Group, LLC

(51) **LOC (13) Cl.** **13-03**

(52) **U.S. Cl.**
USPC **D13/174**

(57) **CLAIM**

The ornamental design for a remote control device, as shown and described.

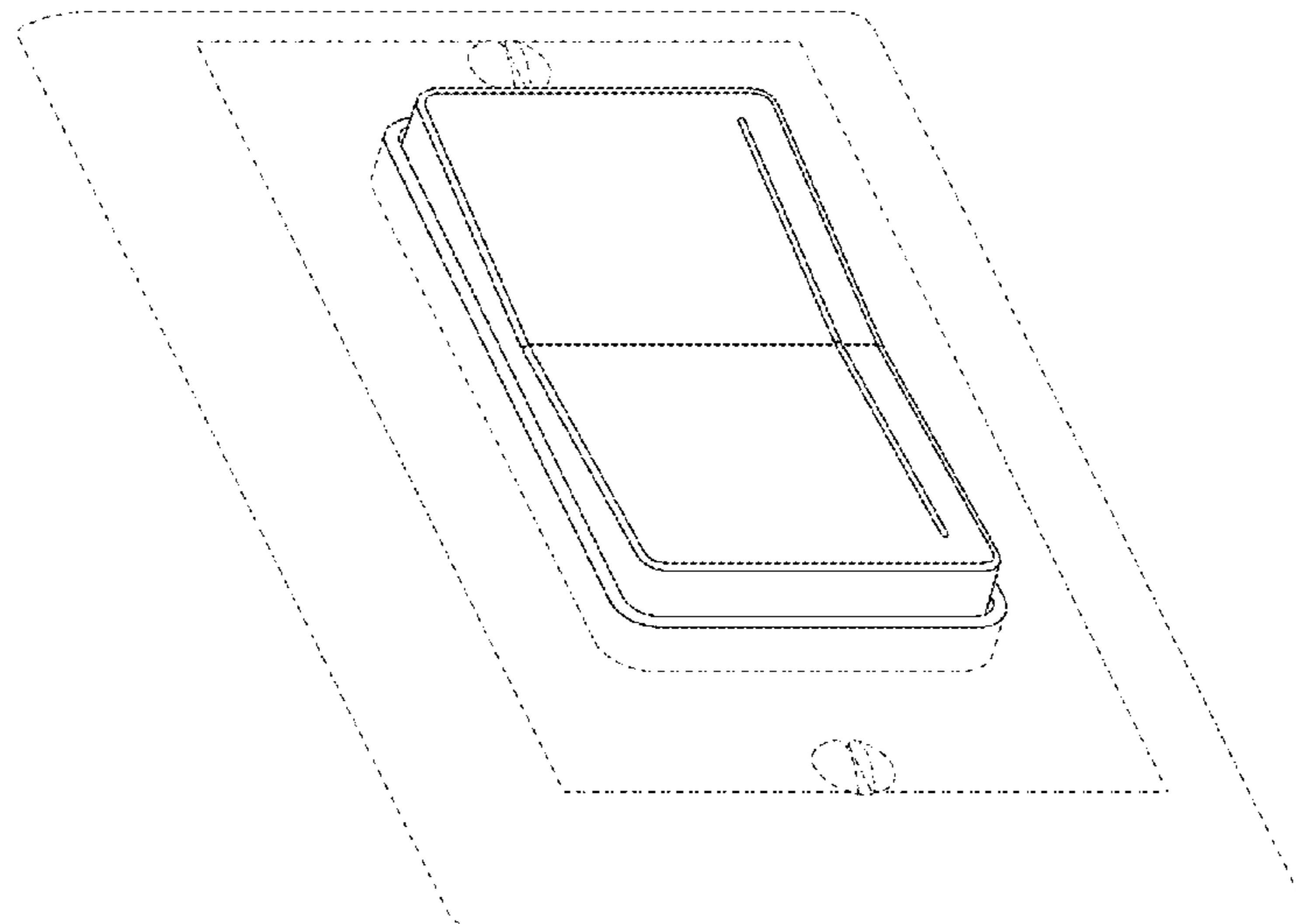
(58) **Field of Classification Search**

USPC D13/162, 164, 169, 171, 174, 177
CPC H01H 9/02; H01H 9/0271; H01H 9/16;
H01H 9/18; H01H 9/161; H01H 9/181;
H01H 9/182; H01H 13/04; H01H 13/14;
H01H 13/20; H01H 13/30; H01H 19/635;
H01H 23/00; H01H 23/02; H01H 23/025;
H01H 23/04; H01H 23/145; H01H 23/148;
H01H 23/205; H01H 23/30;
H01H 51/088; H01H 83/02; H01H 83/04;
H01H 83/144; H05B 33/0803; H05B 33/0863; H05B 39/02; H05B 39/04;

DESCRIPTION

FIG. 1 is a perspective view of a remote control device showing our new design;
FIG. 2 is a front view thereof;
FIG. 3 is a left side view thereof;
FIG. 4 is a right side view thereof;
FIG. 5 is a top view thereof; and,
FIG. 6 is a bottom view thereof.
The broken lines illustrate structure or features which form no part of the claimed design.

1 Claim, 4 Drawing Sheets



Related U.S. Application Data

a continuation of application No. 29/640,708, filed on Mar. 16, 2018, now Pat. No. Des. 865,682, which is a continuation of application No. 15/469,459, filed on Mar. 24, 2017, now Pat. No. 10,109,181.

(56)

References Cited

U.S. PATENT DOCUMENTS

D282,462 S 2/1986 Hart
 D307,578 S 5/1990 Carson et al.
 D315,145 S 3/1991 Pearlman et al.
 5,696,350 A 12/1997 Anker
 5,895,888 A 4/1999 Arenas et al.
 D415,472 S 10/1999 Kelso et al.
 6,005,308 A 12/1999 Bryde et al.
 D436,934 S 1/2001 Hayduke et al.
 7,190,125 B2* 3/2007 McDonough H05B 39/044
 315/291
 7,365,282 B2* 4/2008 Altonen H01H 15/102
 200/329
 D572,202 S 7/2008 Jacoby et al.
 D583,335 S 12/2008 Ni
 D607,849 S 1/2010 Samuels et al.
 7,667,155 B1 2/2010 Ni et al.
 7,714,790 B1* 5/2010 Feldstein H01Q 1/22
 343/702
 7,777,145 B2* 8/2010 Burrell H05B 47/185
 200/330
 D649,122 S 11/2011 Jacoby et al.
 D692,398 S 10/2013 Felegy, Jr. et al.
 D694,197 S 11/2013 Felegy, Jr. et al.
 D694,716 S 12/2013 Felegy, Jr. et al.
 8,710,763 B2* 4/2014 Hakkarainen H05B 39/085
 315/292
 D733,075 S 6/2015 Junko et al.
 D740,766 S 10/2015 Falkenberg et al.
 D777,685 S 1/2017 Tannous et al.
 D787,451 S 5/2017 Tress et al.

D797,061 S 9/2017 Lacey
 9,838,008 B2 12/2017 Lark, Jr. et al.
 D821,985 S 7/2018 Zheng
 D830,977 S 10/2018 Liao et al.
 10,109,181 B2* 10/2018 Dimberg G06F 3/04847
 10,141,144 B2 11/2018 Zhuang et al.
 D865,682 S * 11/2019 Dimberg G06F 3/04883
 D13/168
 D892,065 S * 8/2020 Dimberg H03K 17/96
 D13/174
 2010/0214756 A1 8/2010 Feldstein
 2012/0292174 A1 11/2012 Mah et al.
 2017/0278383 A1 9/2017 Dimberg et al.
 2017/0278647 A1 9/2017 Dimberg et al.
 2017/0278652 A1 9/2017 Dimberg et al.
 2017/0280533 A1* 9/2017 Dimberg G01D 5/34
 2017/0280534 A1 9/2017 Dimberg et al.
 2017/0352506 A1 12/2017 Dimberg
 2019/0005809 A1 1/2019 Dimberg et al.
 2019/0006129 A1 1/2019 Dimberg et al.
 2019/0019403 A1 1/2019 Dimberg et al.
 2019/0073898 A1 3/2019 Dimberg et al.
 2020/0020490 A1 1/2020 Dimberg et al.
 2020/0037422 A1 1/2020 Shivell
 2021/0022231 A1* 1/2021 Shivell G05G 1/105

FOREIGN PATENT DOCUMENTS

EM 002144899-0013 2/2013
 EM 002144899-0014 2/2013
 EM 0021144899-0001 2/2013
 EM 0021144899-0002 2/2013
 EM 0021144899-0003 2/2013
 EM 0021144899-0004 2/2013
 EM 0021144899-0005 2/2013
 EM 0021144899-0006 2/2013
 EM 0021144899-0007 2/2013
 EM 0021144899-0008 2/2013
 EM 0021144899-0009 2/2013
 EM 0021144899-0010 2/2013

* cited by examiner

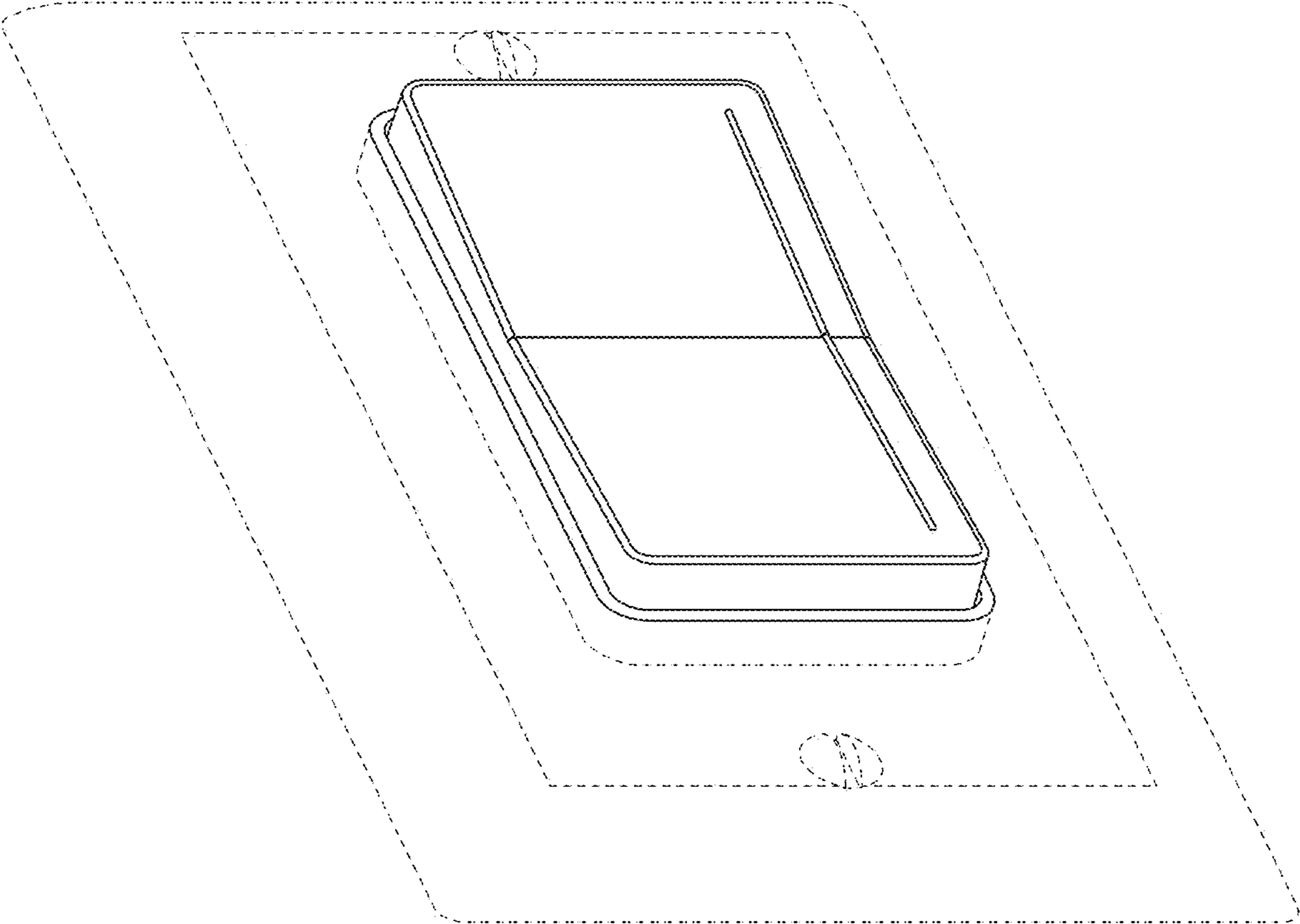


FIG. 1

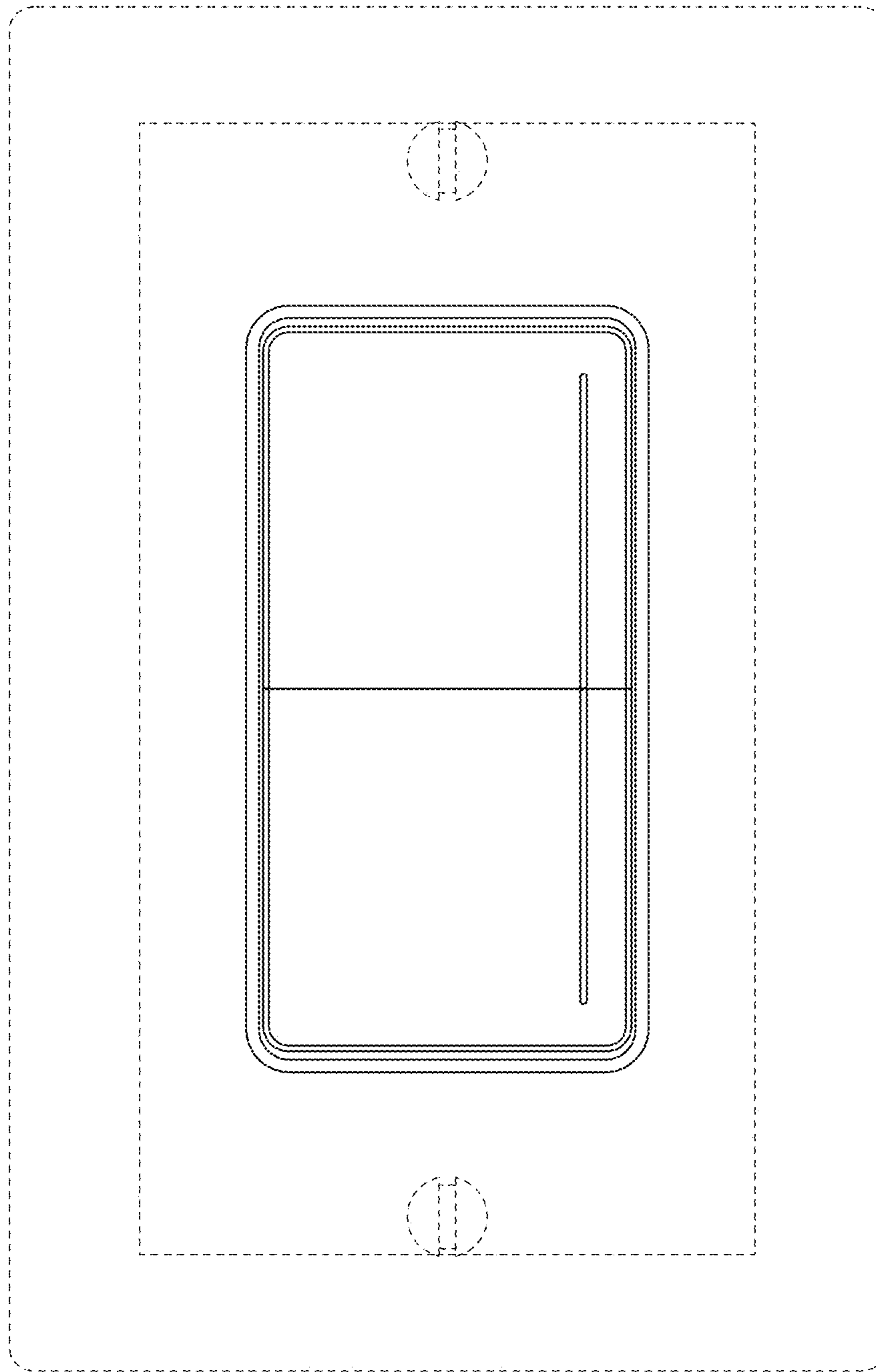


FIG. 2

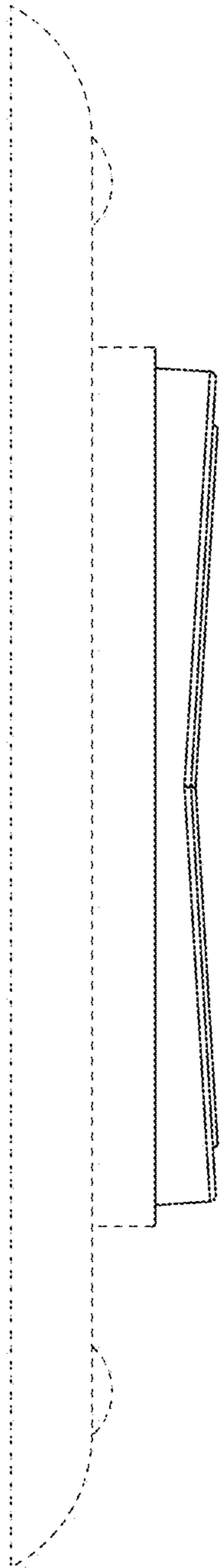


FIG. 3

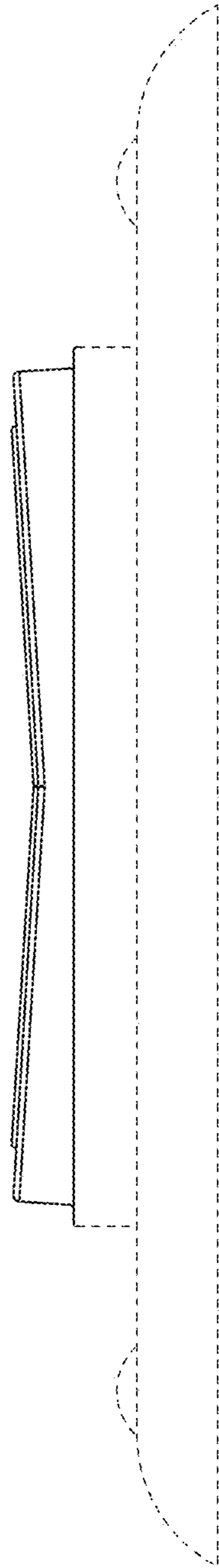


FIG. 4

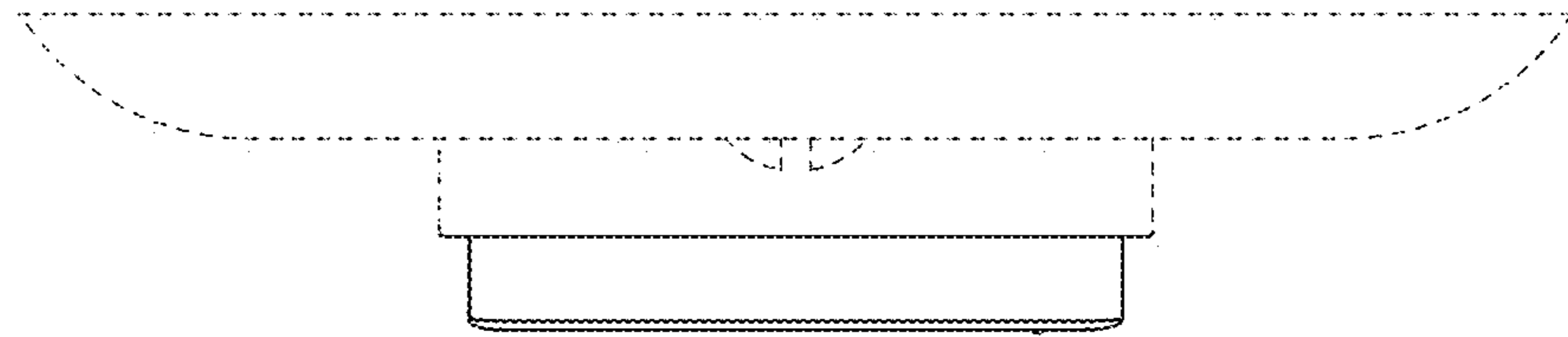


FIG. 5

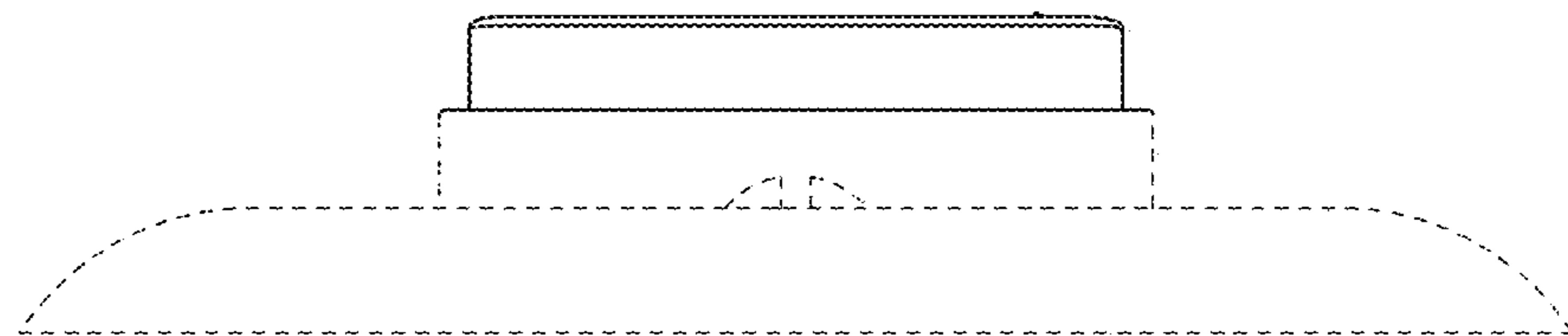


FIG. 6

UNITED STATES PATENT AND TRADEMARK OFFICE
CERTIFICATE OF CORRECTION

PATENT NO. : D933,030 S
APPLICATION NO. : 29/740765
DATED : October 12, 2021
INVENTOR(S) : Chris Dimberg et al.

Page 1 of 1

It is certified that error appears in the above-identified patent and that said Letters Patent is hereby corrected as shown below:

On the Title Page

Item (56) Reference Cited

FOREIGN PATENT DOCUMENTS

Page 2, Column 2, Lines 3-12:

-EM	0021144899-0001	2/2013
EM	0021144899-0002	2/2013
EM	0021144899-0003	2/2013
EM	0021144899-0004	2/2013
EM	0021144899-0005	2/2013
EM	0021144899-0006	2/2013
EM	0021144899-0007	2/2013
EM	0021144899-0008	2/2013
EM	0021144899-0009	2/2013
EM	0021144899-0010	2/2013-

Should read:

--EM	002144899-0001	2/2013
EM	002144899-0002	2/2013
EM	002144899-0003	2/2013
EM	002144899-0004	2/2013
EM	002144899-0005	2/2013
EM	002144899-0006	2/2013
EM	002144899-0007	2/2013
EM	002144899-0008	2/2013
EM	002144899-0009	2/2013
EM	002144899-0010	2/2013--

Signed and Sealed this
Seventh Day of December, 2021



Drew Hirshfeld
*Performing the Functions and Duties of the
Under Secretary of Commerce for Intellectual Property and
Director of the United States Patent and Trademark Office*