



US00D933029S

(12) **United States Design Patent** (10) **Patent No.:** **US D933,029 S**
Shen (45) **Date of Patent:** **** Oct. 12, 2021**

(54) **FURNITURE CONTROLLER**
(71) Applicant: **TIMOTION TECHNOLOGY CO., LTD.**, New Taipei (TW)
(72) Inventor: **Bo-Yen Shen**, New Taipei (TW)
(73) Assignee: **TIMOTION TECHNOLOGY CO., LTD.**, New Taipei (TW)

D808,910 S * 1/2018 Gassner D13/169
D853,975 S * 7/2019 Gassner D13/169
D875,693 S * 2/2020 Gassner D13/171
D877,091 S * 3/2020 Rath D13/169
D911,296 S * 2/2021 Li D13/169
10,925,404 B2 * 2/2021 Rains A47C 1/0355
2009/0256727 A1 * 10/2009 Shi H01H 13/70
341/22

(Continued)

(**) Term: **15 Years**
(21) Appl. No.: **29/758,649**
(22) Filed: **Nov. 17, 2020**
(51) **LOC (13) Cl.** **13-03**
(52) **U.S. Cl.**
USPC **D13/171**
(58) **Field of Classification Search**
USPC D13/162, 164, 171, 173
CPC H01H 3/02; H01H 3/022; H01H 3/12;
H01H 3/122; H01H 9/02; H01H 9/0235;
H01H 13/023; H01H 13/04; H01H 13/06;
H01H 13/063; H01H 13/10; H01H 13/12;
H01H 13/14; H01H 13/36; H01H 13/70;
H01H 13/86; H01H 21/24; A47C 1/0345;
A47C 1/035; A47C 1/0355; A47C 7/506
See application file for complete search history.

OTHER PUBLICATIONS

2 Button 5 Pin Lift Chair or Power Recliner Hand Control; Sep. 29, 2019; 2 pgs; https://www.amazon.com/Okin-Recliner-Control-Replacement-Catnapper/dp/B07YJPF67/ref=sr_1_36?dchild=1&keywords=two+button+chair+lift+hand+control&qid=1629815692&sr=8-36.*

(Continued)

Primary Examiner — Selina Sikder
(74) *Attorney, Agent, or Firm* — Chun-Ming Shih; HDLS IPR Services

(57) **CLAIM**

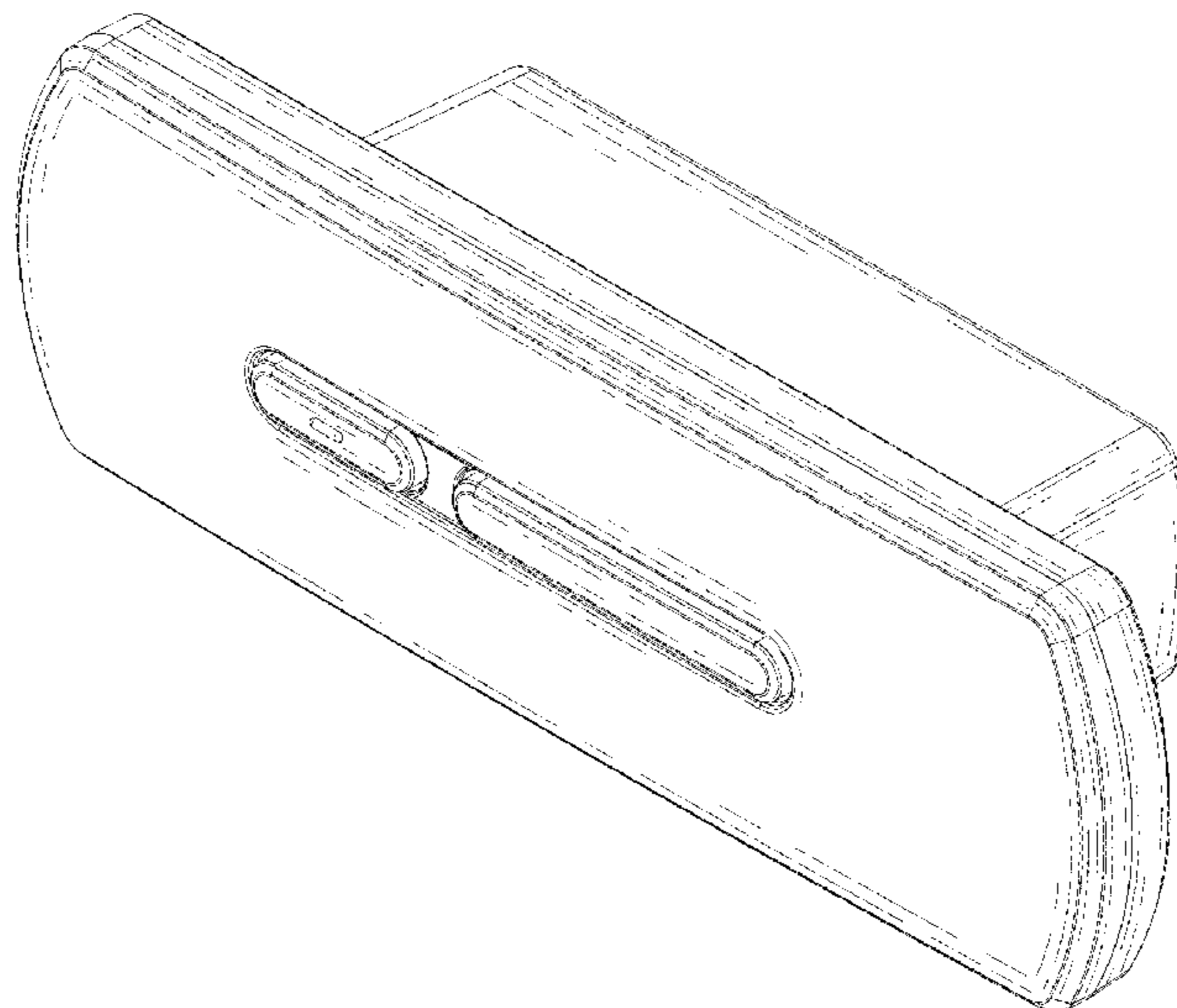
The ornamental design for a furniture controller, as shown and described.

DESCRIPTION

FIG. 1 is a perspective view of a furniture controller showing my new design;
FIG. 2 is a front view thereof;
FIG. 3 is a rear view thereof;
FIG. 4 is a left side view thereof;
FIG. 5 is a right side view thereof;
FIG. 6 is a top view thereof;
FIG. 7 is a bottom view thereof; and,
FIG. 8 is a second perspective view showing the furniture controller.
The broken lines in the drawings illustrate portions of the furniture controller that form no part of the claimed design.

1 Claim, 8 Drawing Sheets

(56) **References Cited**
U.S. PATENT DOCUMENTS
7,202,431 B2 * 4/2007 Gauzin H01H 11/0018
200/329
D608,306 S * 1/2010 Gandini D13/171
D626,093 S * 10/2010 Bates D13/174
8,106,325 B2 * 1/2012 Laurent H01H 13/70
200/600
D689,825 S * 9/2013 Wenji D13/162
8,766,115 B2 * 7/2014 Kristen H01H 13/86
200/5 A
D733,078 S * 6/2015 Wu D13/174
D764,420 S * 8/2016 Naka D13/171
9,640,343 B2 * 5/2017 Koch A47C 7/62



(56)

References Cited

U.S. PATENT DOCUMENTS

2011/0198894 A1* 8/2011 Hsieh A47C 1/0242
297/68
2017/0287657 A1* 10/2017 Naka H01H 13/14

OTHER PUBLICATIONS

Chair Switch Controller; Sep. 18, 2019; 2 pgs.;https://www.amazon.com/Switch-Controller-Electric-Recliner-Control/dp/B07Y25PWBJ/ref=sr_1_100?dchild=1&keywords=2+Button+hand+control&qid=1629815549&sr=8-100.*

* cited by examiner

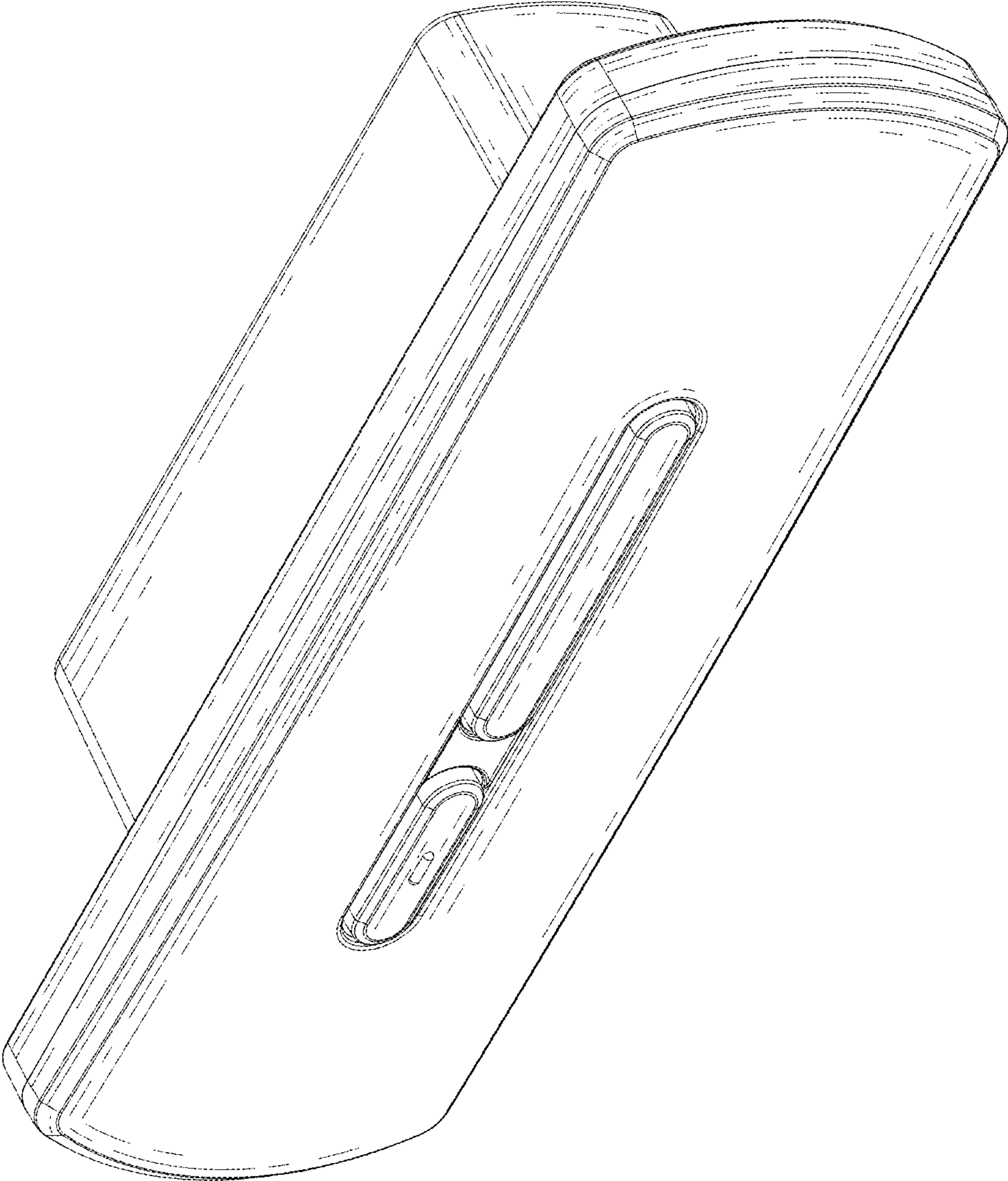


FIG.1

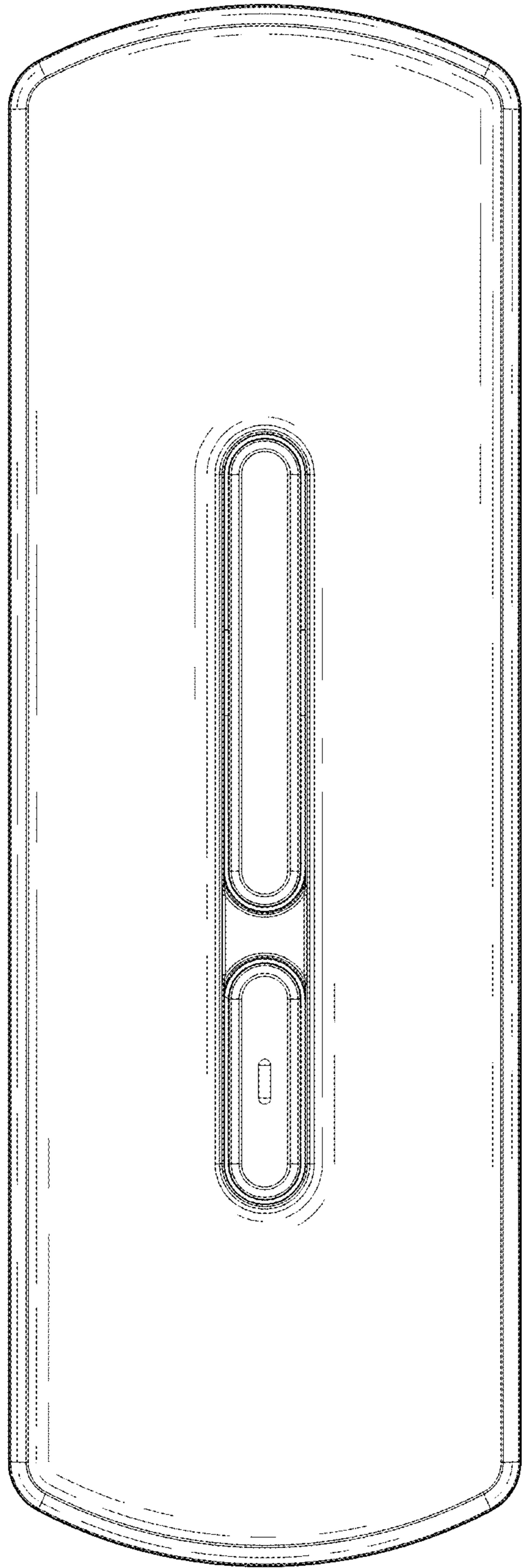


FIG.2

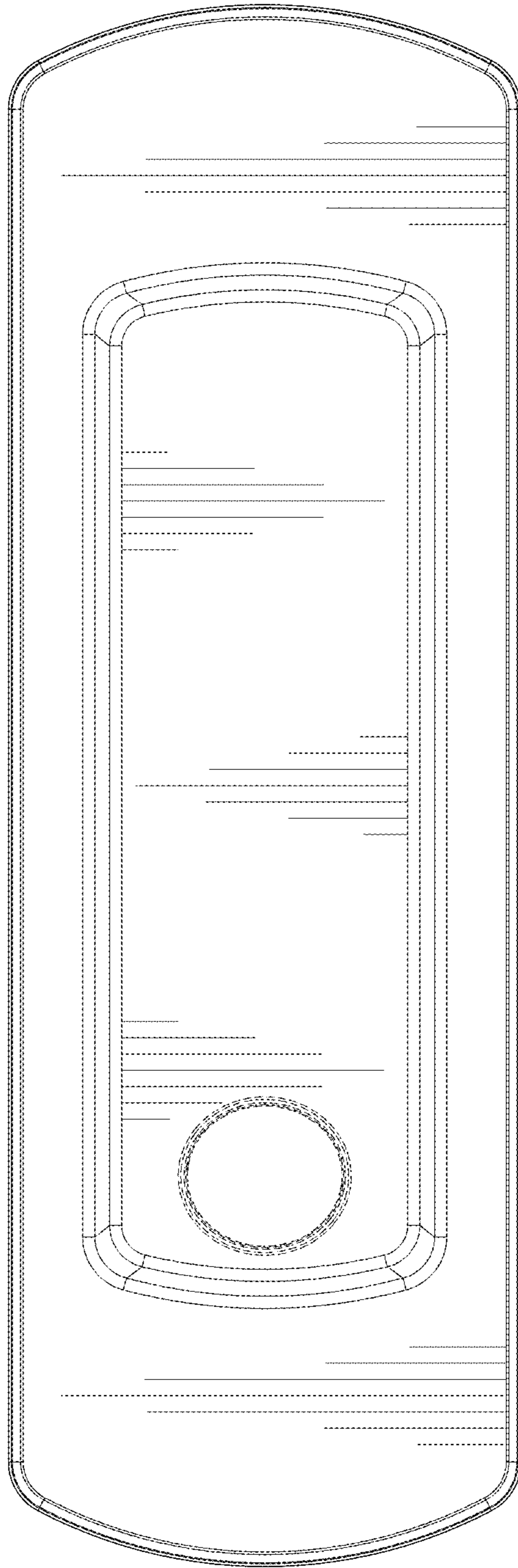


FIG.3

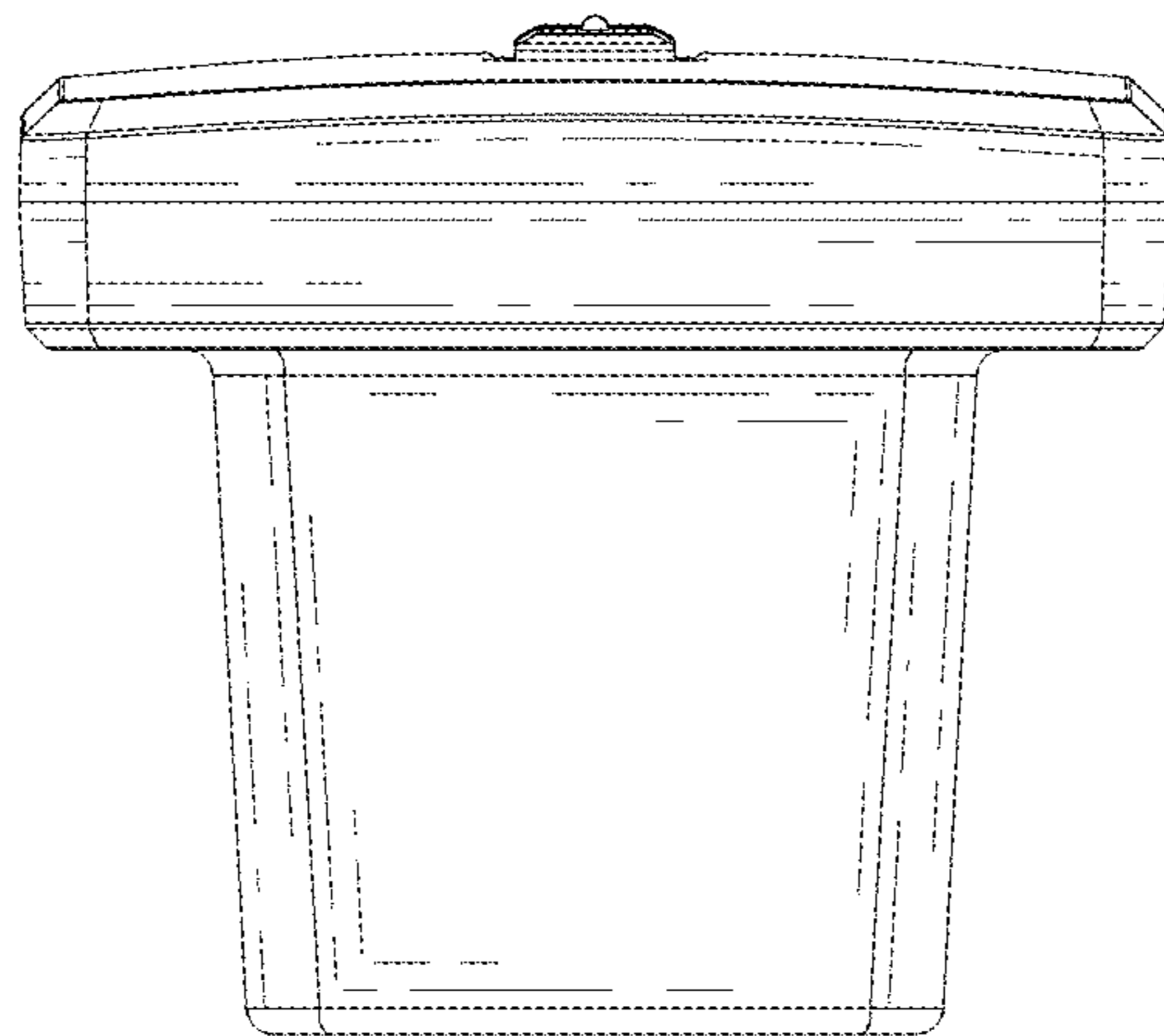


FIG.4

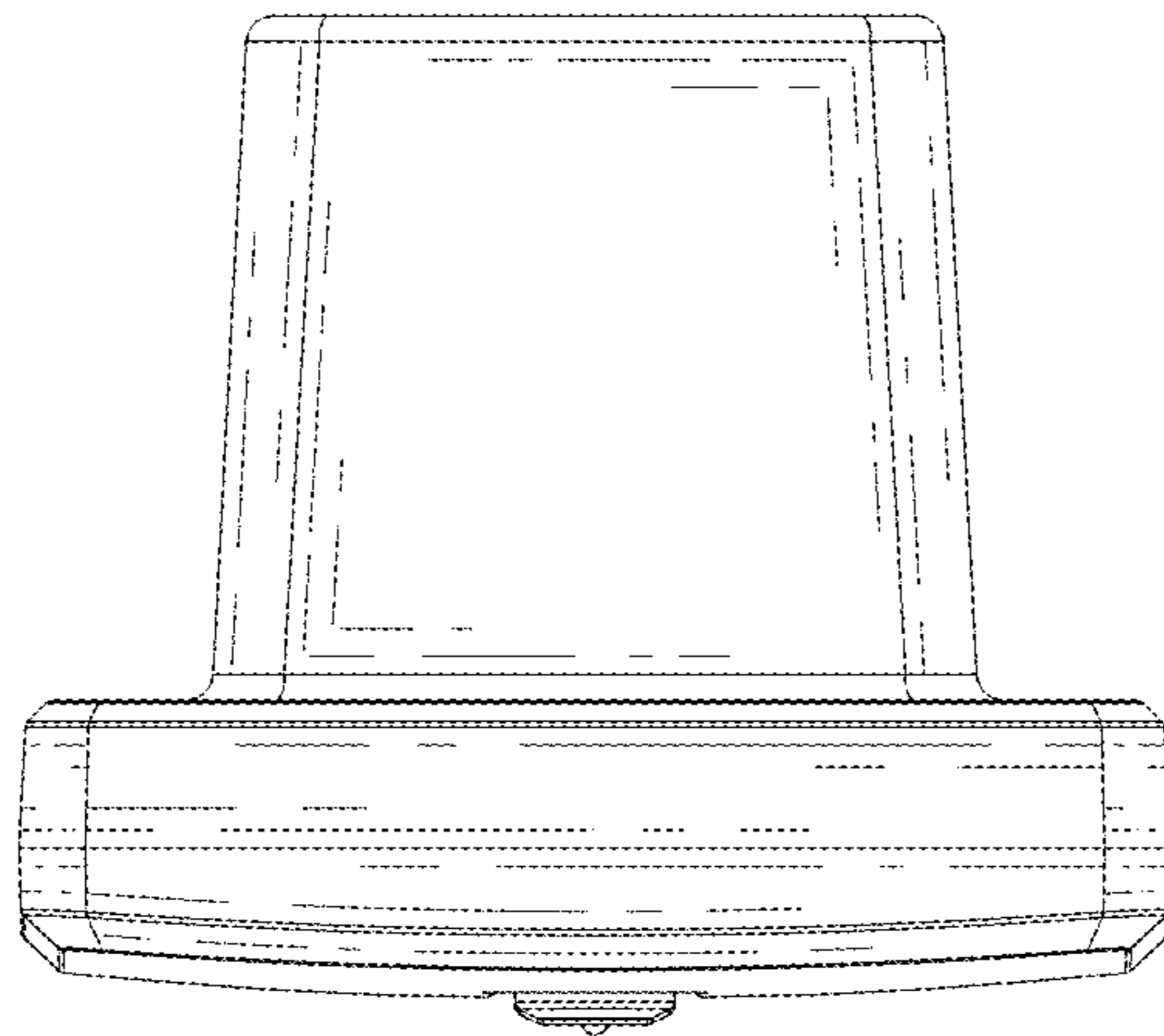


FIG.5

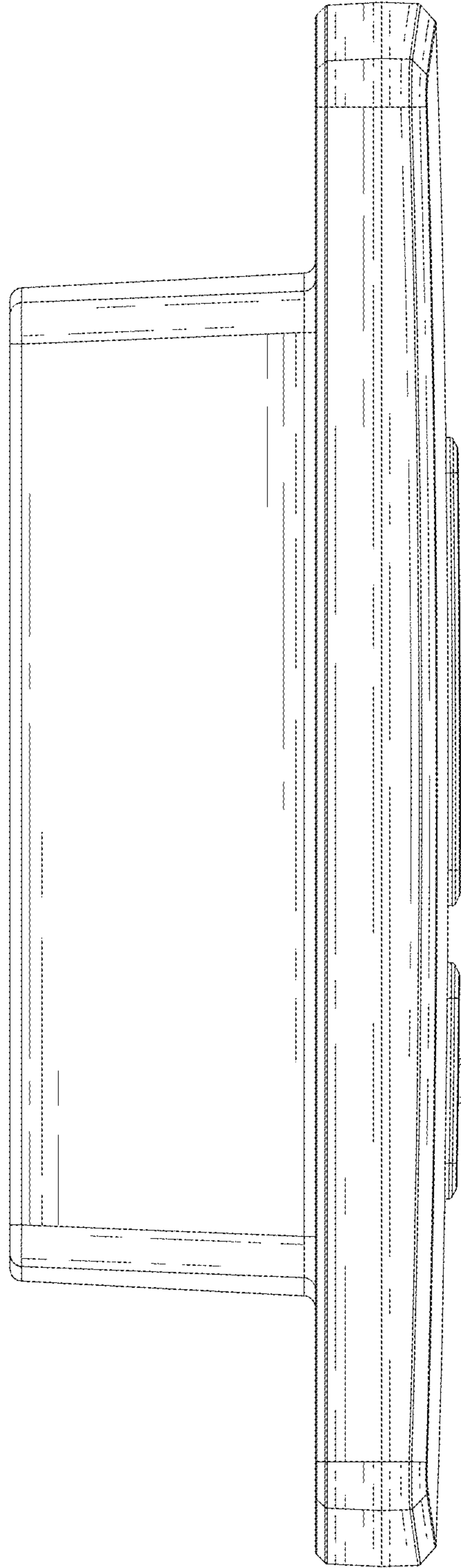


FIG.6

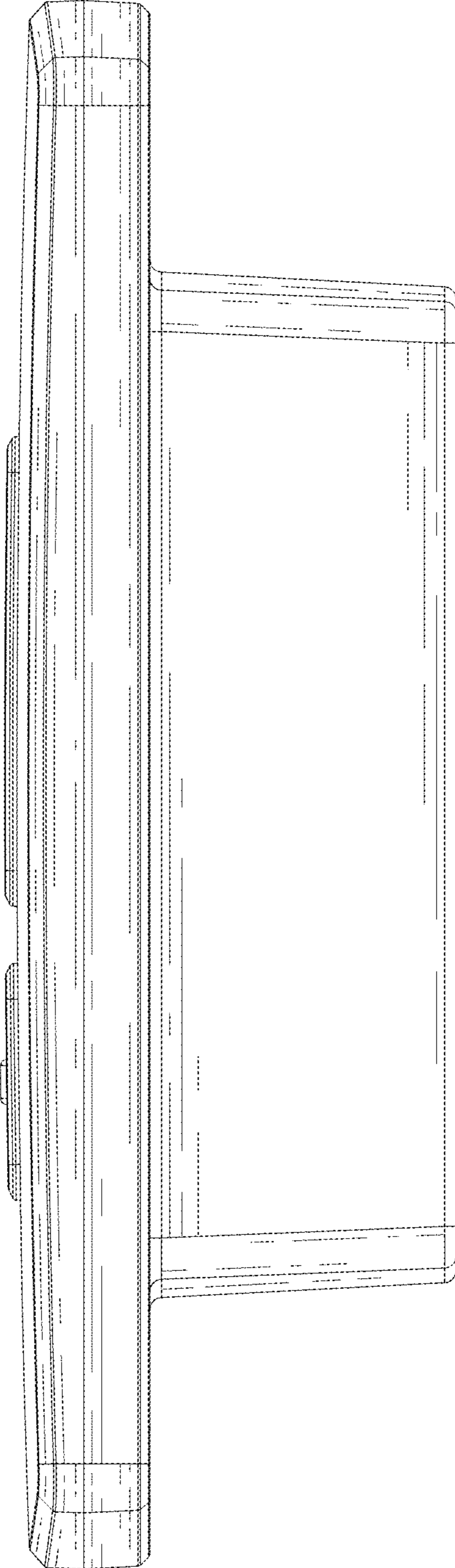


FIG.7

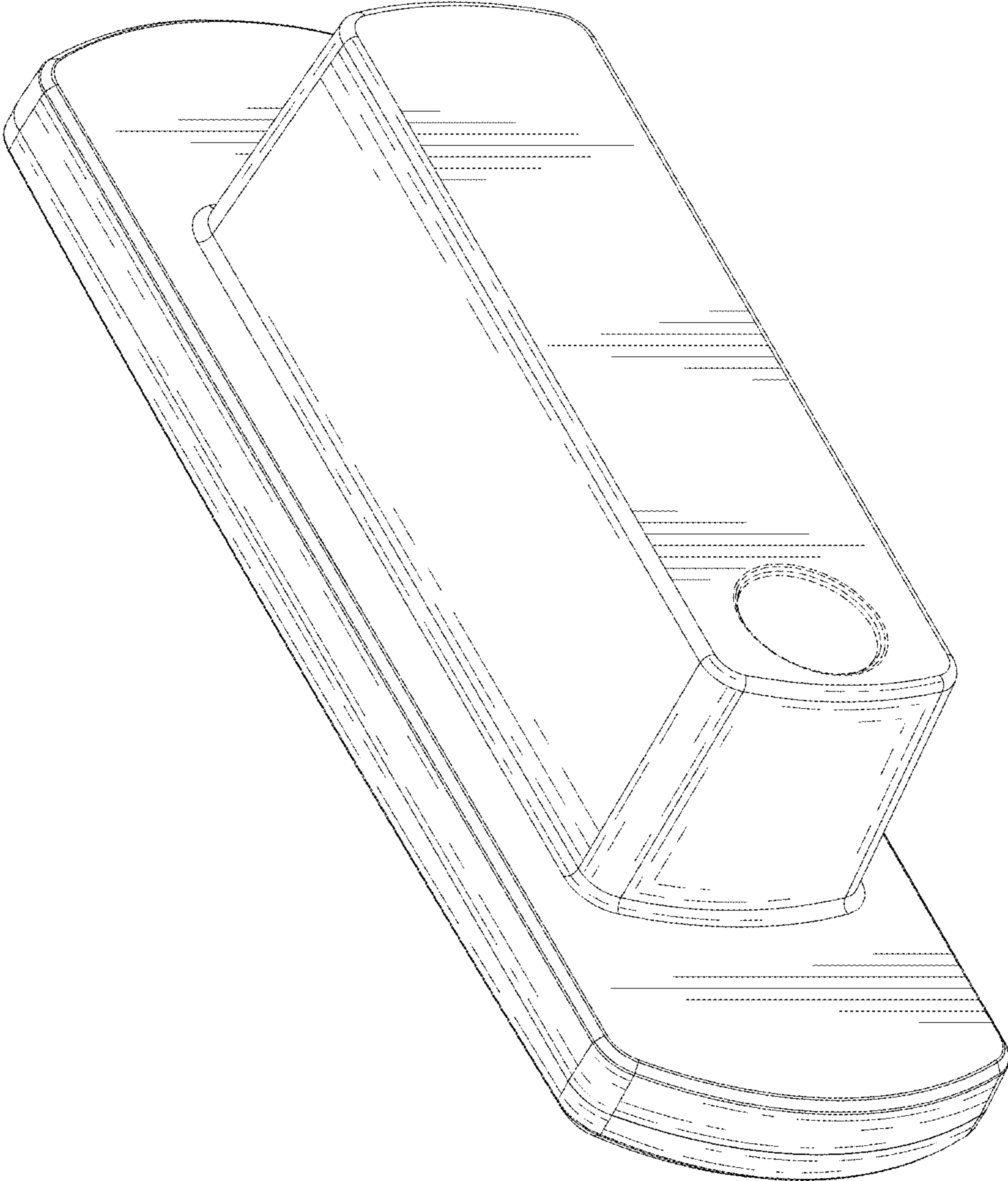


FIG.8