



US00D933027S

(12) **United States Design Patent** (10) **Patent No.:** **US D933,027 S**  
**Altonen et al.** (45) **Date of Patent:** **\*\* Oct. 12, 2021**

(54) **CONTROL DEVICE**

(56) **References Cited**

(71) Applicant: **Lutron Technology Company LLC**,  
Coopersburg, PA (US)

U.S. PATENT DOCUMENTS

(72) Inventors: **Gregory Altonen**, Easton, PA (US);  
**Chris Dimberg**, Easton, PA (US);  
**Jason C. Killo**, Emmaus, PA (US);  
**Matthew Philip McDonald**,  
Phoenixville, PA (US); **Daniel L.**  
**Twaddell**, Allentown, PA (US)

D169,574 S 5/1953 Bordner  
D208,025 S 7/1967 Weitzman  
D282,462 S 2/1986 Hart  
(Continued)

FOREIGN PATENT DOCUMENTS

EM 002144899-0001 2/2013  
EM 002144899-0002 2/2013  
(Continued)

(73) Assignee: **Lutron Technology Company LLC**,  
Coopersburg, PA (US)

OTHER PUBLICATIONS

(\*\*) Term: **15 Years**

iDevices LLC, The iDevices Advantage, specification sheet, avail-  
able at least as early as 2017 (21 pages).  
(Continued)

(21) Appl. No.: **29/685,060**

*Primary Examiner* — Selina Sikder  
(74) *Attorney, Agent, or Firm* — Saidman DesignLaw  
Group, LLC

(22) Filed: **Mar. 26, 2019**

(57) **CLAIM**

(51) **LOC (13) Cl.** ..... **13-03**  
(52) **U.S. Cl.**  
USPC ..... **D13/169**

The ornamental design for a control device, as shown and  
described.

(58) **Field of Classification Search**  
USPC ..... D13/162, 164, 169, 171, 174, 177  
CPC ..... H01H 9/02; H01H 9/0271; H01H 9/16;  
H01H 9/18; H01H 9/161; H01H 9/181;  
H01H 9/182; H01H 13/04; H01H 13/14;  
H01H 13/20; H01H 13/30; H01H 19/635;  
H01H 23/00; H01H 23/02; H01H 23/025;  
H01H 23/04; H01H 23/145; H01H  
23/148; H01H 23/205; H01H 23/30;  
H01H 51/088; H01H 83/02; H01H 83/04;  
H01H 83/144; H05B 33/0803; H05B  
33/0863; H05B 37/02; H05B 37/0254;  
H05B 37/0272; H05B 39/02; H05B  
39/04; H05B 39/085;

**DESCRIPTION**

FIG. 1 is a front perspective view of a control device  
showing our new design;  
FIG. 2 is a front view thereof;  
FIG. 3 is a left side view thereof;  
FIG. 4 is a right side view thereof;  
FIG. 5 is a top view thereof;  
FIG. 6 is a bottom view thereof;  
FIG. 7 is a front perspective view of a second embodiment  
thereof;  
FIG. 8 is a front view thereof;  
FIG. 9 is a left side view thereof;

(Continued)

(Continued)

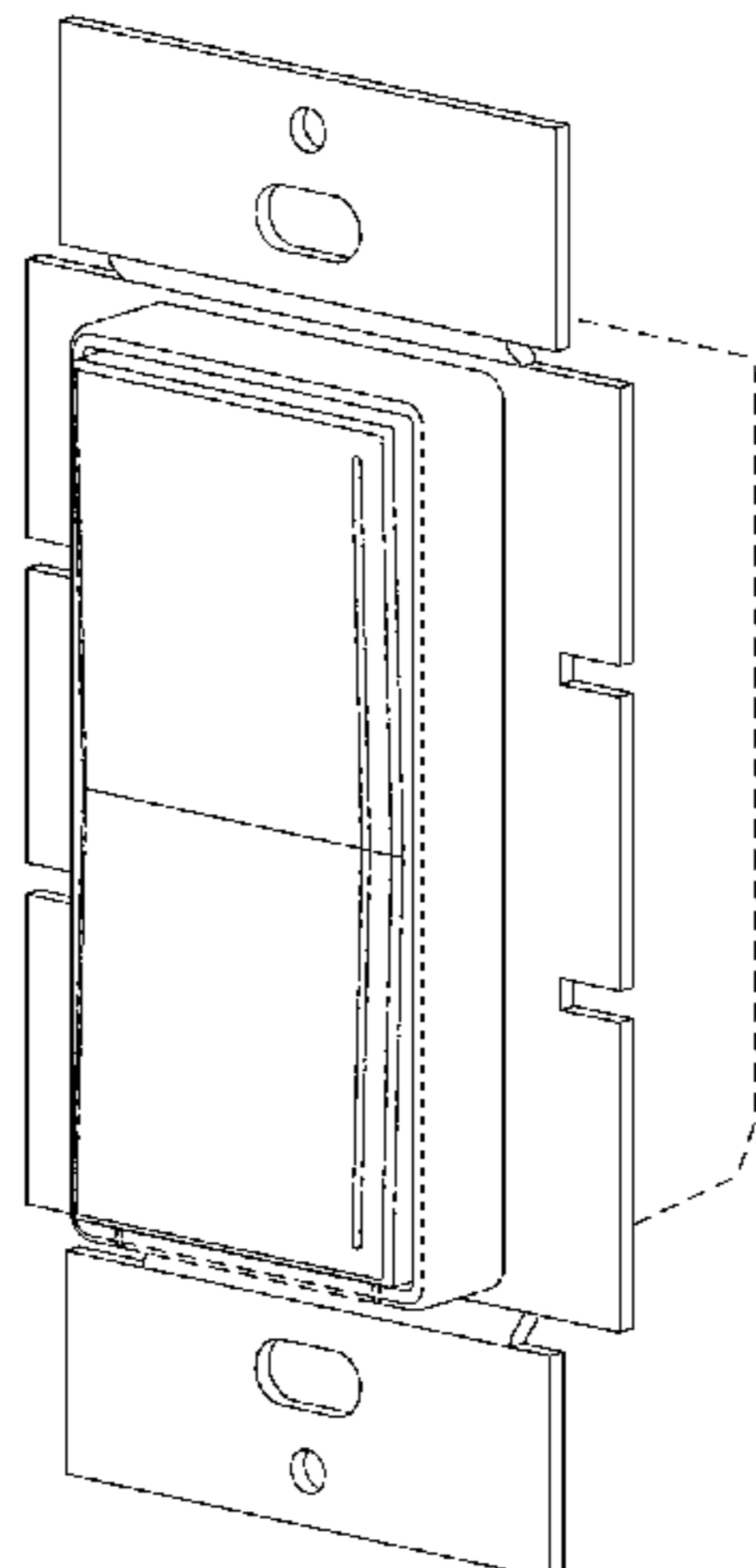


FIG. 10 is a right side view thereof;  
 FIG. 11 is a top view thereof; and,  
 FIG. 12 is a bottom view thereof.  
 The dashed broken lines illustrate structure or features  
 which form no part of the claimed design.

**1 Claim, 8 Drawing Sheets**

(58) **Field of Classification Search**  
 CPC .. H05B 39/086; H05B 39/088; H01R 13/713;  
 H01R 13/7135  
 See application file for complete search history.

(56) **References Cited**

U.S. PATENT DOCUMENTS

D307,778 S	5/1990	Carson et al.	
D315,145 S	3/1991	Pearlman et al.	
5,696,350 A *	12/1997	Anker .....	H02G 3/14 174/66
5,895,888 A *	4/1999	Arenas .....	H02G 3/14 174/66
D415,472 S	10/1999	Kelso et al.	
6,005,308 A	12/1999	Bryde et al.	
D436,934 S	1/2001	Hayduke et al.	
7,190,125 B2 *	3/2007	McDonough .....	H05B 39/044 315/291
7,365,282 B2 *	4/2008	Altonen .....	H01H 15/102 200/329
D572,202 S	7/2008	Jacoby et al.	
D583,335 S	12/2008	Ni	
D607,849 S	1/2010	Samuels et al.	
7,667,155 B1 *	2/2010	Ni .....	H01H 23/145 200/331
7,714,790 B1 *	5/2010	Feldstein .....	H01Q 1/22 343/702
7,777,145 B2 *	8/2010	Burrell .....	H05B 47/185 200/330
D649,122 S	11/2011	Jacoby et al.	
D692,398 S	10/2013	Felegy, Jr. et al.	
D694,197 S	11/2013	Felem, Jr. et al.	
D694,716 S	12/2013	Felegy, Jr. et al.	
8,710,763 B2 *	4/2014	Hakkarainen .....	H05B 39/085 315/292

D733,075 S	6/2015	Junko et al.	
D740,766 S	10/2015	Falkenberg et al.	
D777,685 S	1/2017	Tannous et al.	
D787,451 S	5/2017	Tress et al.	
D797,061 S	9/2017	Lacey	
9,838,008 B2	12/2017	Lark, Jr. et al.	
D821,985 S	7/2018	Zheng	
D830,977 S	10/2018	Liao et al.	
10,141,144 B2	11/2018	Zhuang et al.	
D865,682 S *	11/2019	Dimberg .....	H05B 47/19 D13/168

2010/0214756 A1	8/2010	Feldstein	
2012/0292174 A1	11/2012	Mah et al.	
2017/0278383 A1	9/2017	Dimberg et al.	
2017/0278647 A1	9/2017	Dimberg et al.	
2017/0278652 A1	9/2017	Dimberg et al.	
2017/0280533 A1	9/2017	Dimberg et al.	
2017/0280534 A1	9/2017	Dimberg et al.	
2017/0352506 A1	12/2017	Dimberg	
2019/0005809 A1	1/2019	Dimberg et al.	
2019/0006129 A1	1/2019	Dimberg et al.	
2019/0019403 A1	1/2019	Dimberg et al.	
2019/0073898 A1	3/2019	Dimberg et al.	
2020/0020490 A1 *	1/2020	Dimberg .....	H01H 3/02
2020/0037422 A1 *	1/2020	Shivell .....	H01H 9/287
2021/0022231 A1 *	1/2021	Shivell .....	G05G 1/105

FOREIGN PATENT DOCUMENTS

EM	002144899-0003	2/2013
EM	002144899-0004	2/2013
EM	002144899-0005	2/2013
EM	002144899-0006	2/2013
EM	002144899-0007	2/2013
EM	002144899-0008	2/2013
EM	002144899-0009	2/2013
EM	002144899-0010	2/2013
EM	002144899-0011	2/2013
EM	002144899-0012	2/2013
EM	002144899-0013	2/2013
EM	002144899-0014	2/2013

OTHER PUBLICATIONS

U.S. Appl. No. 29/640,708, filed Mar. 16, 2018 (unpublished).  
 U.S. Appl. No. 29/640,715, filed Mar. 16, 2018 (unpublished).

\* cited by examiner

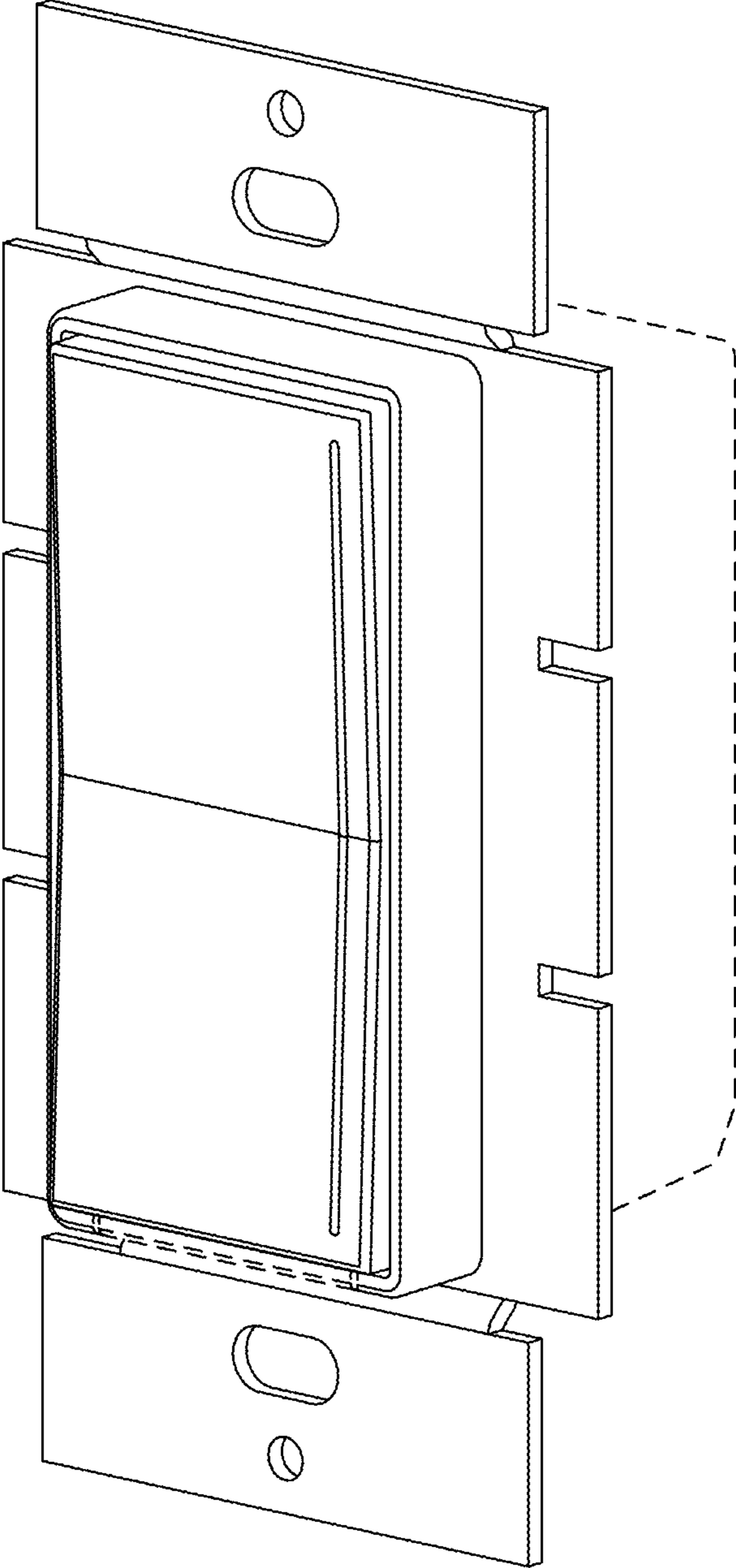


FIG. 1

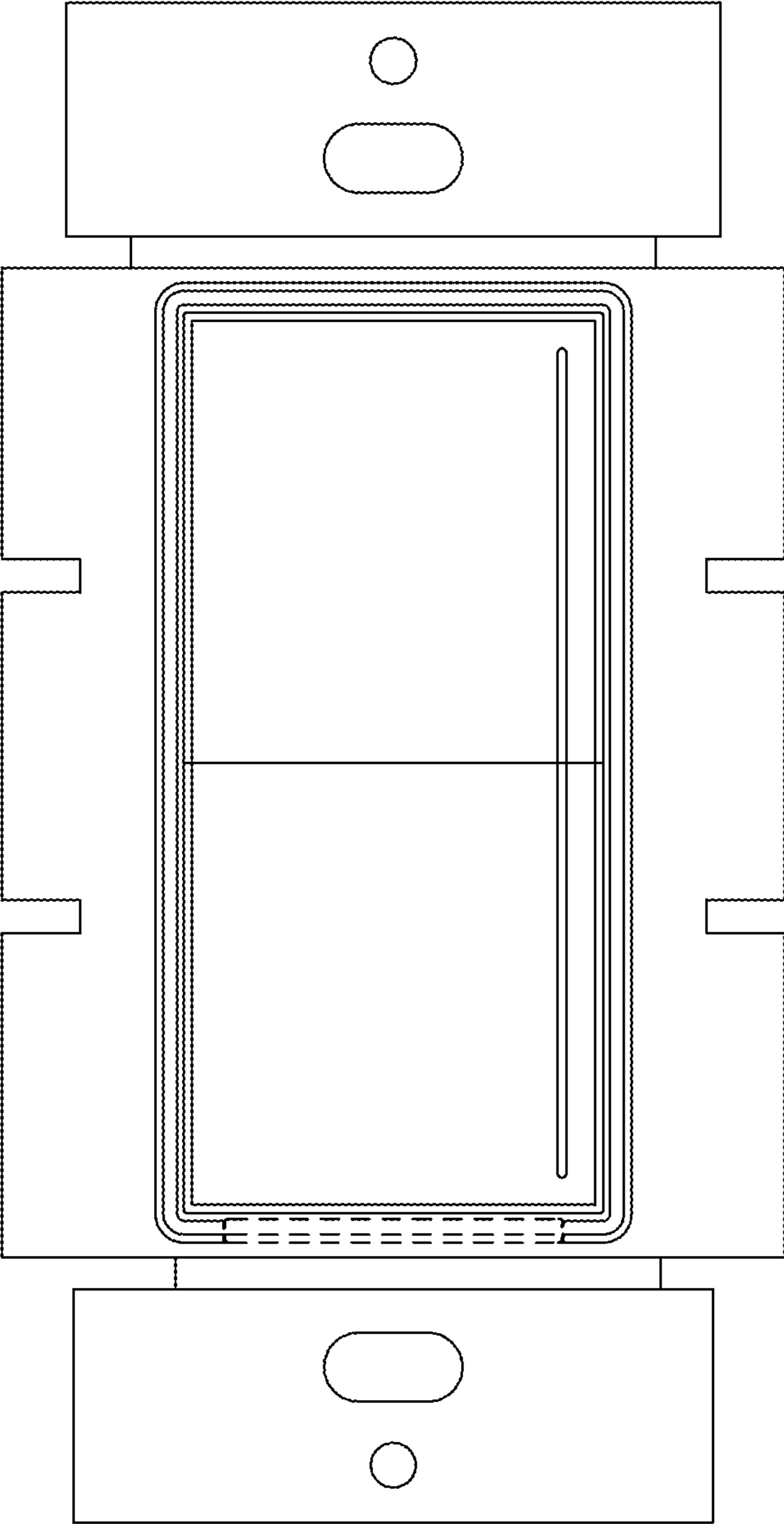


FIG. 2

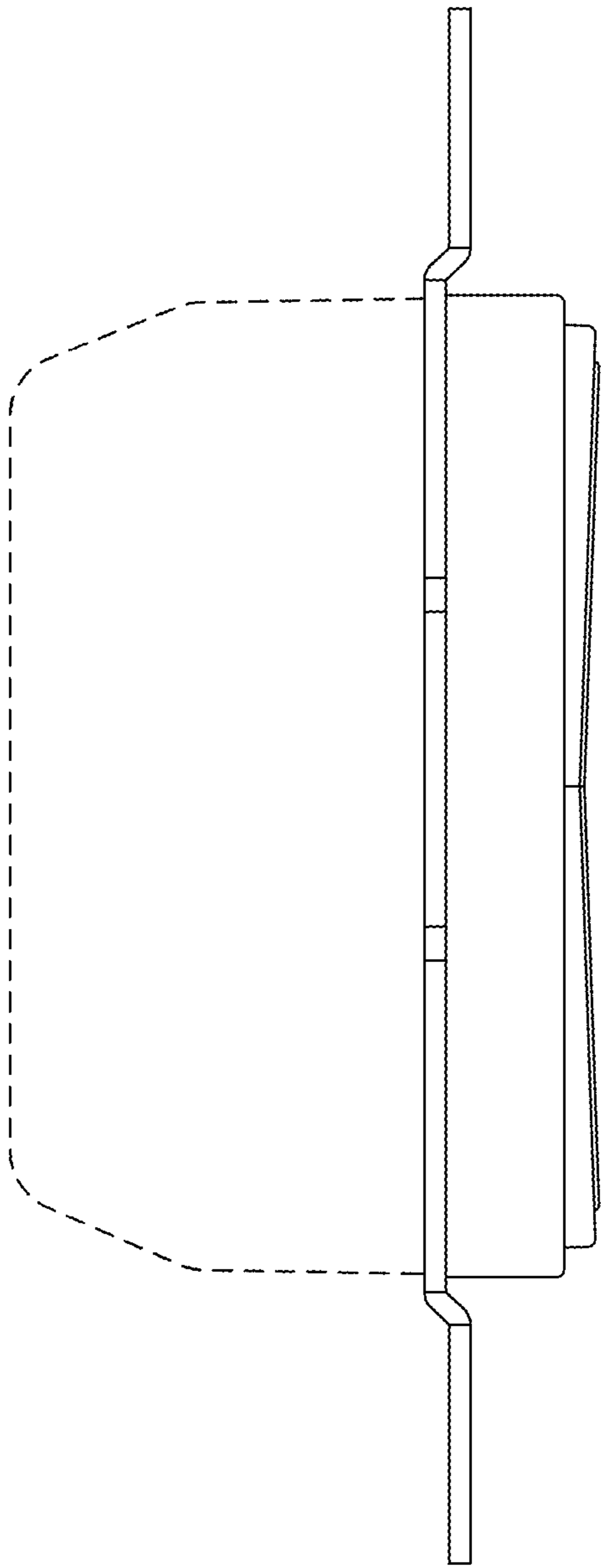


FIG. 3

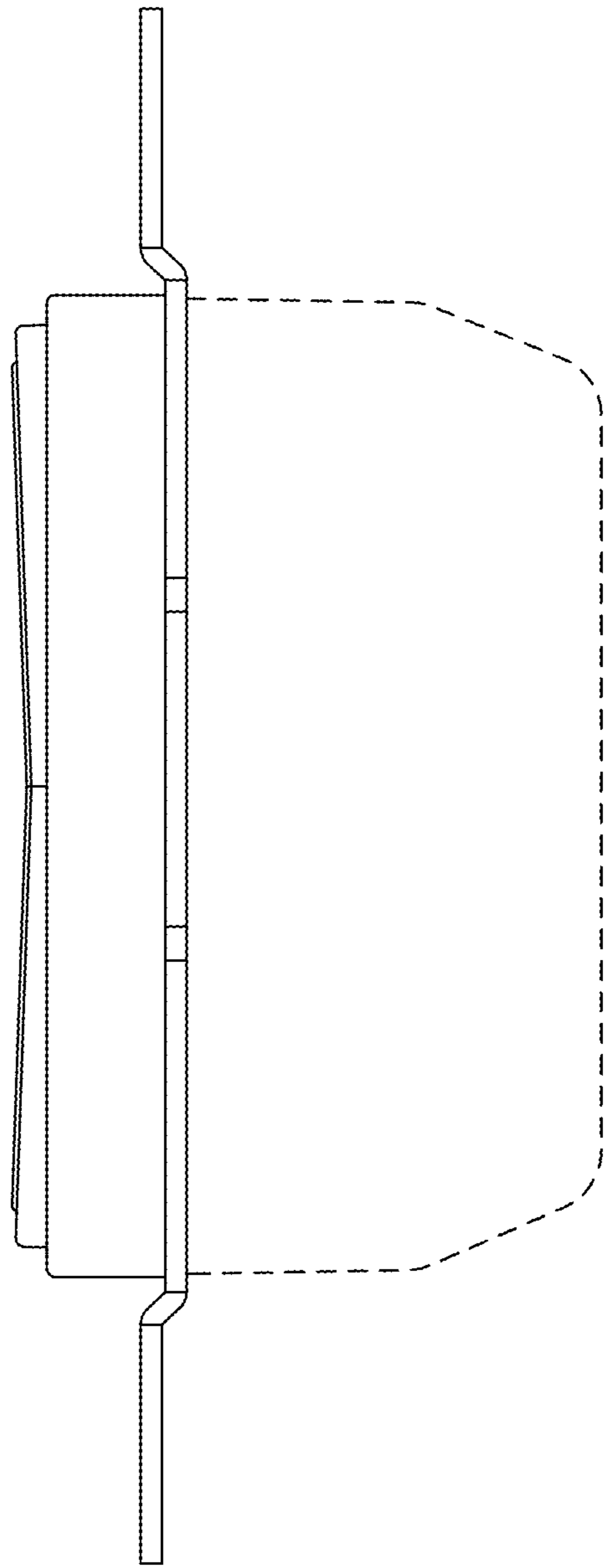


FIG. 4

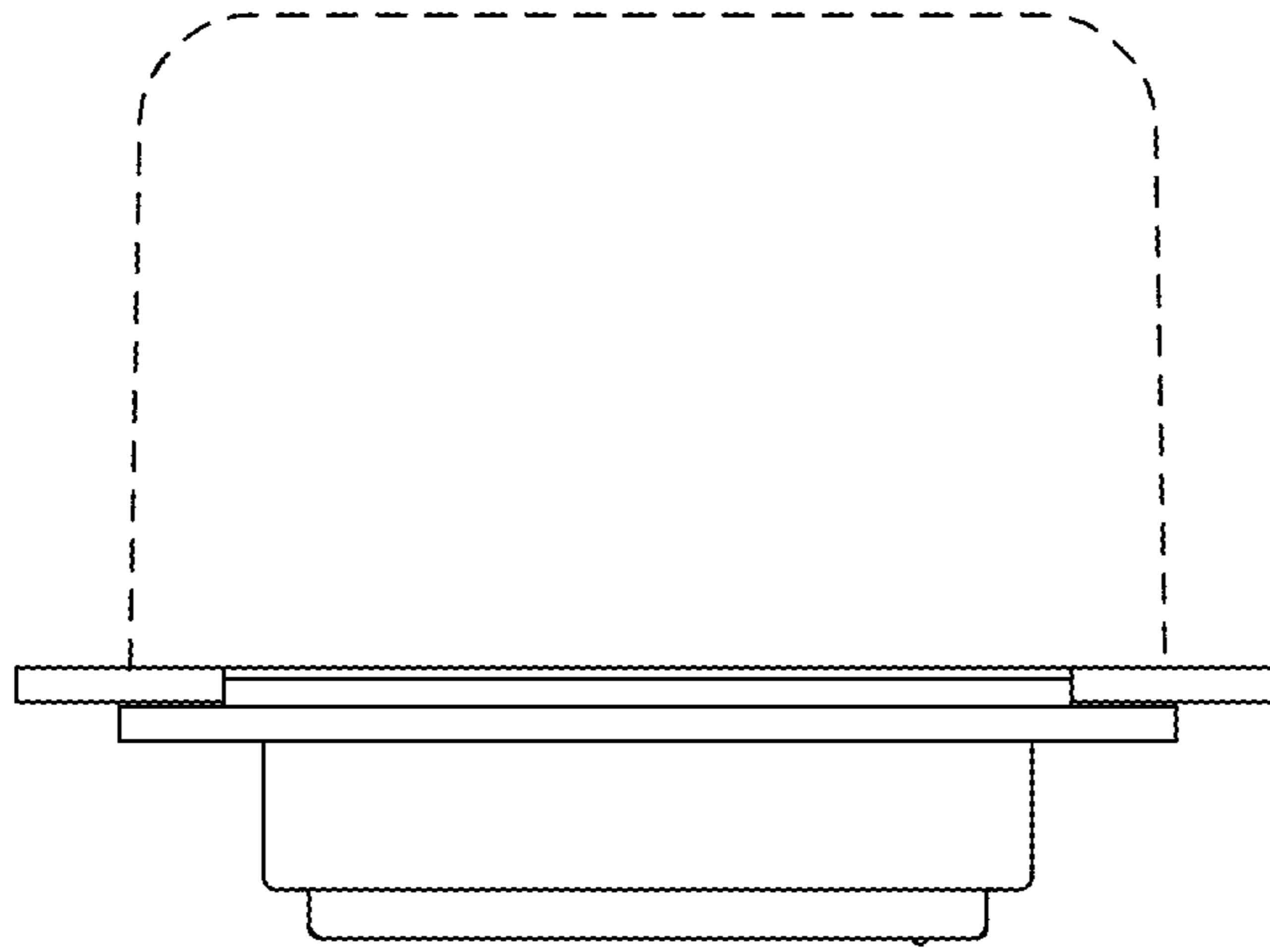


FIG. 5

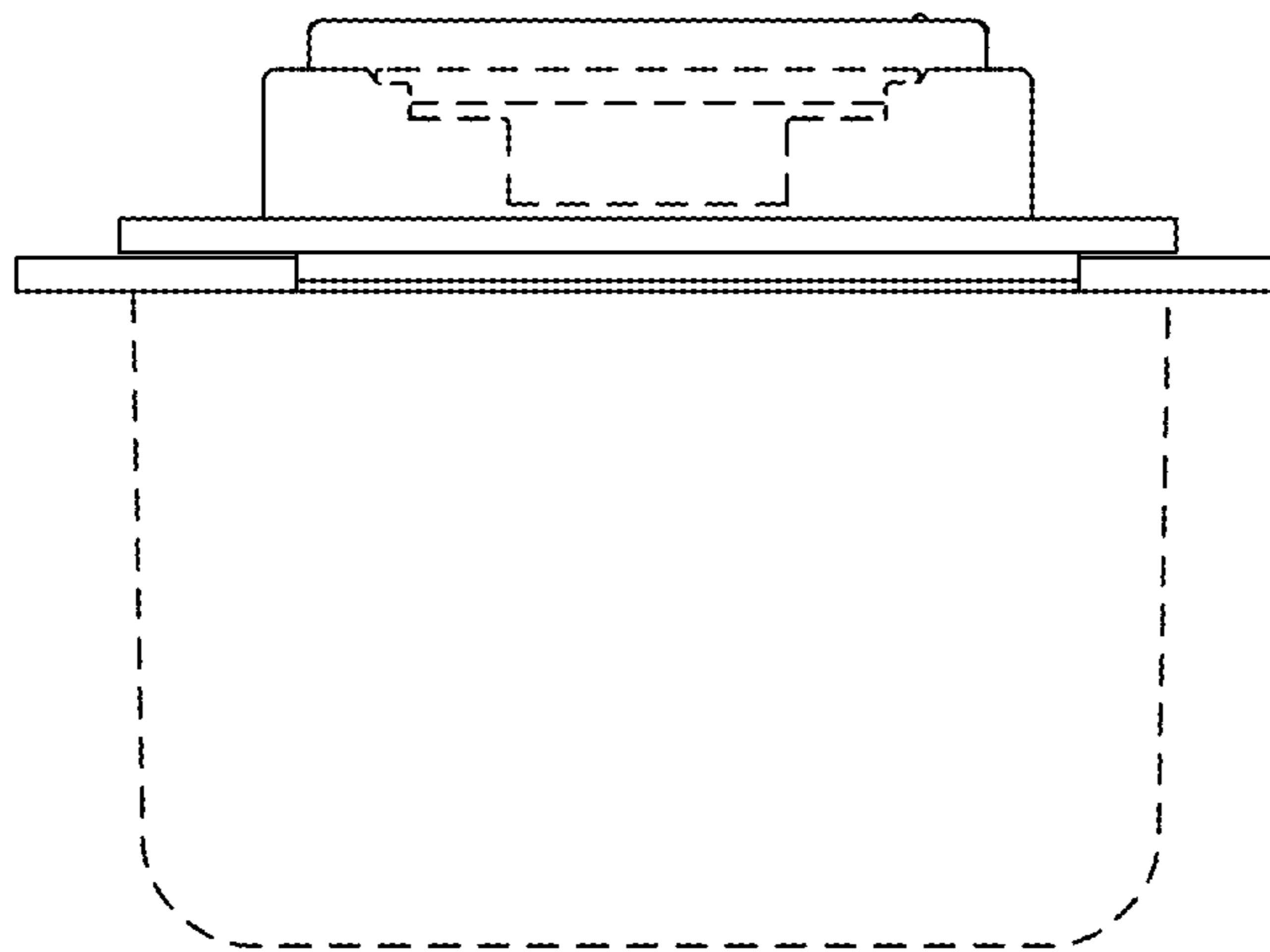


FIG. 6

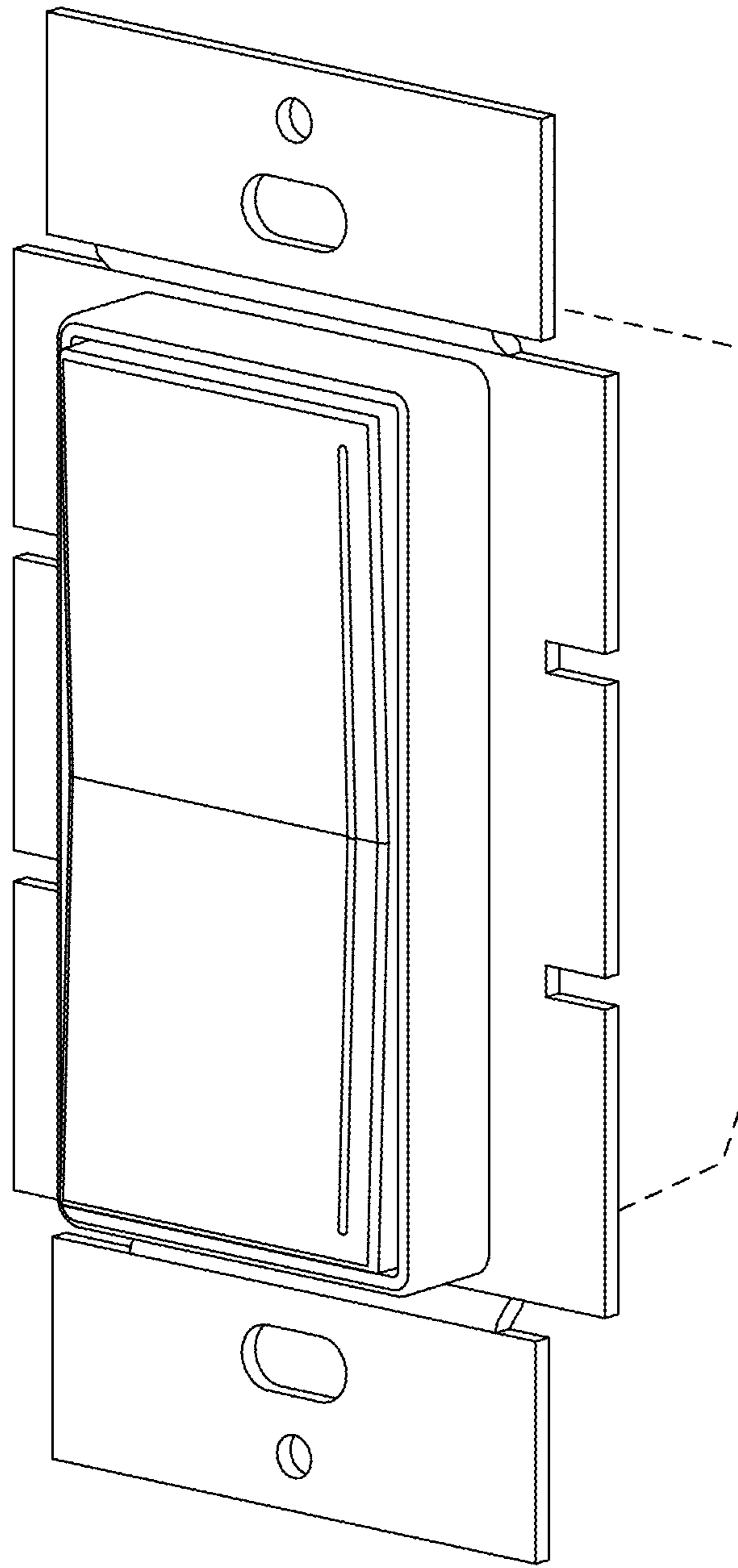


FIG. 7

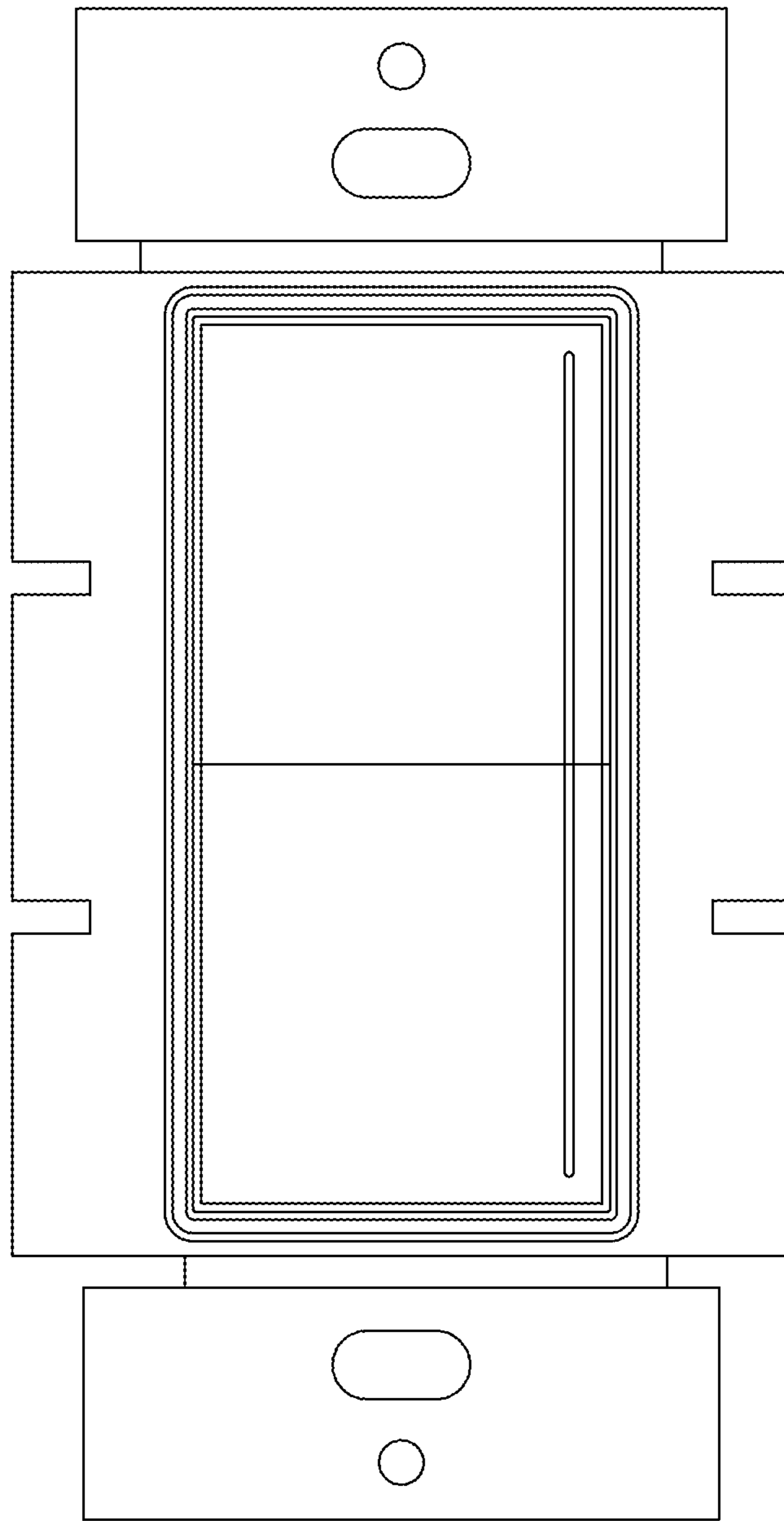


FIG. 8



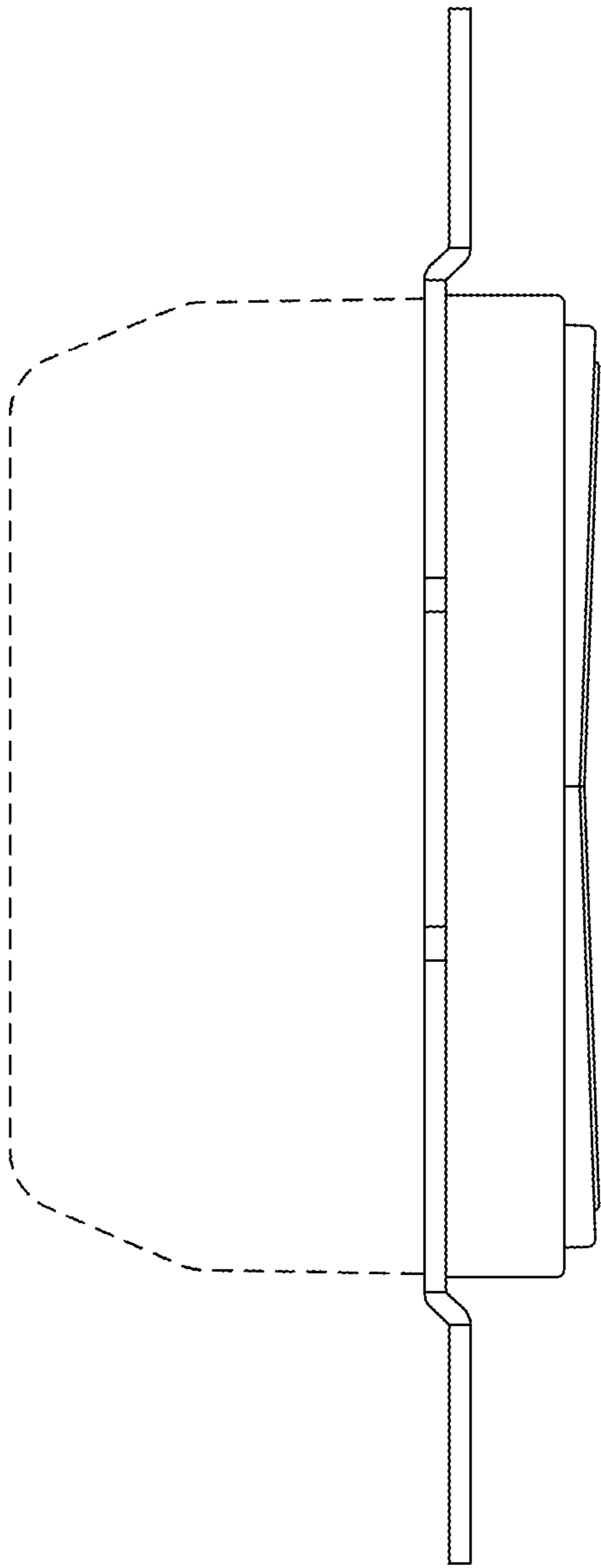


FIG. 9

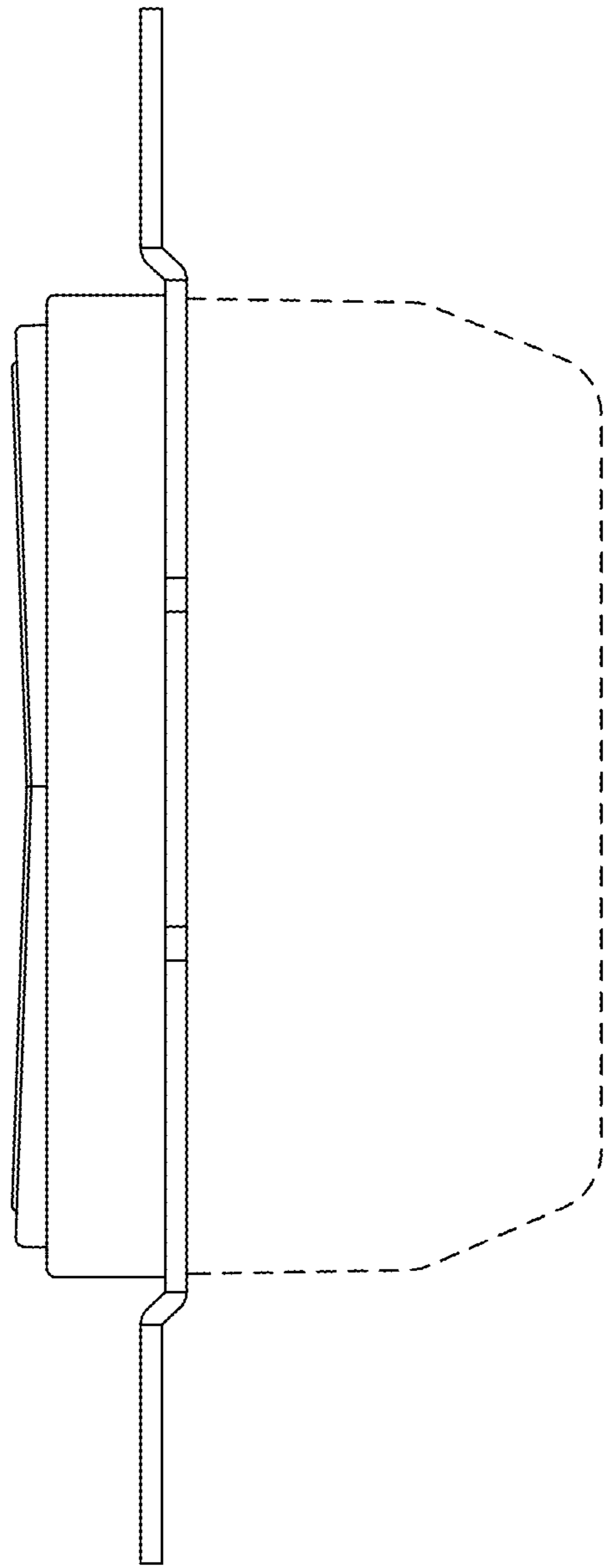


FIG. 10

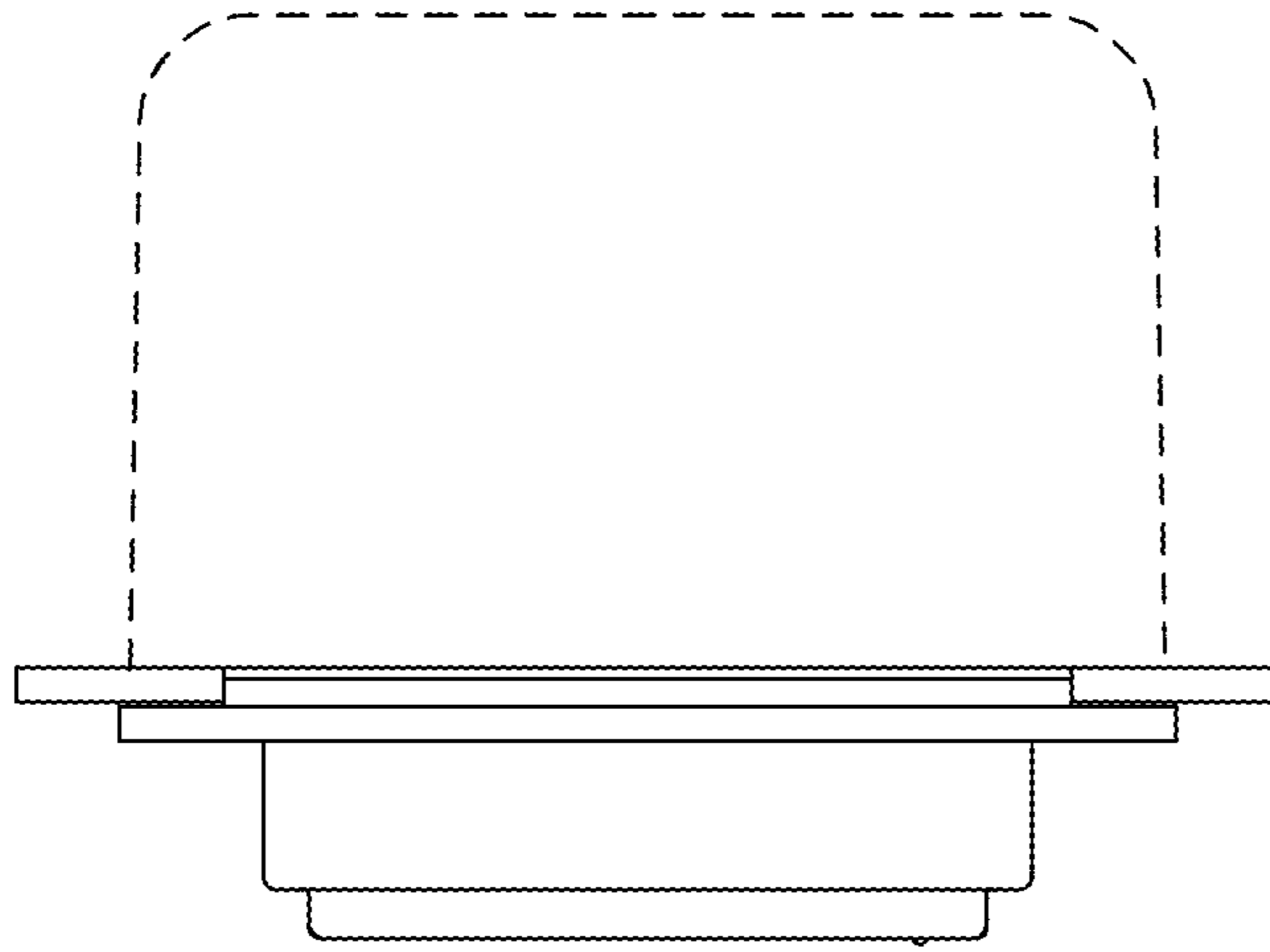


FIG. 11

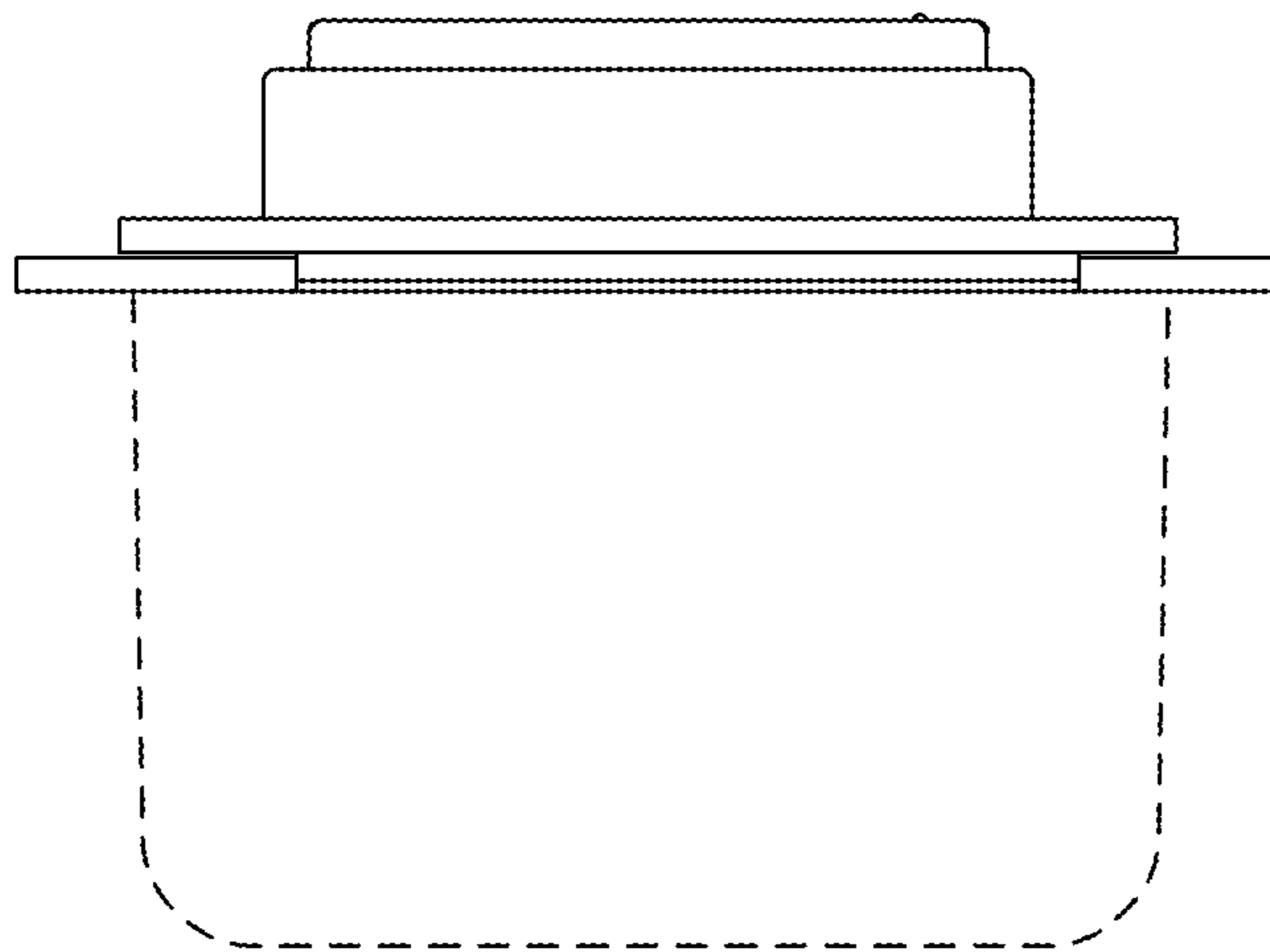


FIG. 12

UNITED STATES PATENT AND TRADEMARK OFFICE  
**CERTIFICATE OF CORRECTION**

PATENT NO. : D933,027 S  
APPLICATION NO. : 29/685060  
DATED : October 12, 2021  
INVENTOR(S) : Gregory Altonen et al.

Page 1 of 1

It is certified that error appears in the above-identified patent and that said Letters Patent is hereby corrected as shown below:

On the Title Page

Item (56) References Cited  
U.S. PATENT DOCUMENTS

Page 2, Column 1, Line 1:  
“D307,778 S 5/1990 Carson et al.”

Should read:  
--D307,578 S 5/1990 Carson et al.--

Page 2, Column 1, Line 25:  
“D694,197 S 11/2013 Felem, Jr. et al.”

Should read:  
--D694,197 S 11/2013 Felegy, Jr. et al.--

Signed and Sealed this  
Seventh Day of December, 2021



Drew Hirshfeld  
*Performing the Functions and Duties of the  
Under Secretary of Commerce for Intellectual Property and  
Director of the United States Patent and Trademark Office*