



US00D933023S

(12) **United States Design Patent**
Kang et al.

(10) **Patent No.:** **US D933,023 S**

(45) **Date of Patent:** **** Oct. 12, 2021**

(54) **CIRCUIT PROTECTION ELEMENT**

(71) Applicant: **SMART ELECTRONICS INC.**, Ulsan (KR)

(72) Inventors: **Doo Won Kang**, Gyeonggi-do (KR); **A Lam Shin**, Busan (KR)

(73) Assignee: **SMART ELECTRONICS INC.**, Ulsan (KR)

(**) Term: **15 Years**

(21) Appl. No.: **29/727,625**

(22) Filed: **Mar. 12, 2020**

(30) **Foreign Application Priority Data**

Sep. 19, 2019 (KR) 30-2019-0044924

(51) **LOC (13) Cl.** **13-03**

(52) **U.S. Cl.**
USPC **D13/160**; D13/161

(58) **Field of Classification Search**
USPC D13/125, 158, 161, 173, 178, 184, 199
CPC H01H 85/0241; H01H 85/048; H01H 85/055; H01H 85/143; H01H 85/165; H01C 7/04; H01C 1/02; H01C 1/024
See application file for complete search history.

(56) **References Cited**

U.S. PATENT DOCUMENTS

3,158,828 A * 11/1964 Bargaen H02K 11/25
338/28
D205,508 S * 8/1966 Kozacka D13/161
D228,069 S * 8/1973 Oka et al. D13/125
D228,070 S * 8/1973 Oka et al. D13/125
5,051,718 A * 9/1991 Satake H01C 7/047
338/34
5,233,326 A * 8/1993 Motoyoshi H01C 1/1406
338/22 R

5,760,336 A * 6/1998 Wang H01C 1/024
174/535
5,777,541 A * 7/1998 Vekeman H01C 7/02
338/22 R
D409,154 S * 5/1999 Chudoba D13/160
5,907,271 A * 5/1999 Hirano H01C 7/02
338/22 R
6,177,857 B1 * 1/2001 Inoue H01C 1/14
338/22 R
D489,689 S * 5/2004 Kozu D13/161
D523,822 S * 6/2006 Disbennett D13/161
7,612,648 B2 * 11/2009 Jeong H01C 7/123
338/20
D657,751 S * 4/2012 Okubo D13/161
D673,919 S * 1/2013 Chung D13/160
10,971,287 B1 * 4/2021 Chen H01C 7/021
2002/0057186 A1 * 5/2002 Katsuki H01C 1/1406
337/182
2002/0175801 A1 * 11/2002 Katsuki H01C 1/1406
338/22 R
2003/0217458 A1 * 11/2003 Haga H01C 1/022
29/612

(Continued)

Primary Examiner — Selina Sikder

(74) *Attorney, Agent, or Firm* — Harness, Dickey & Pierce, P.L.C.

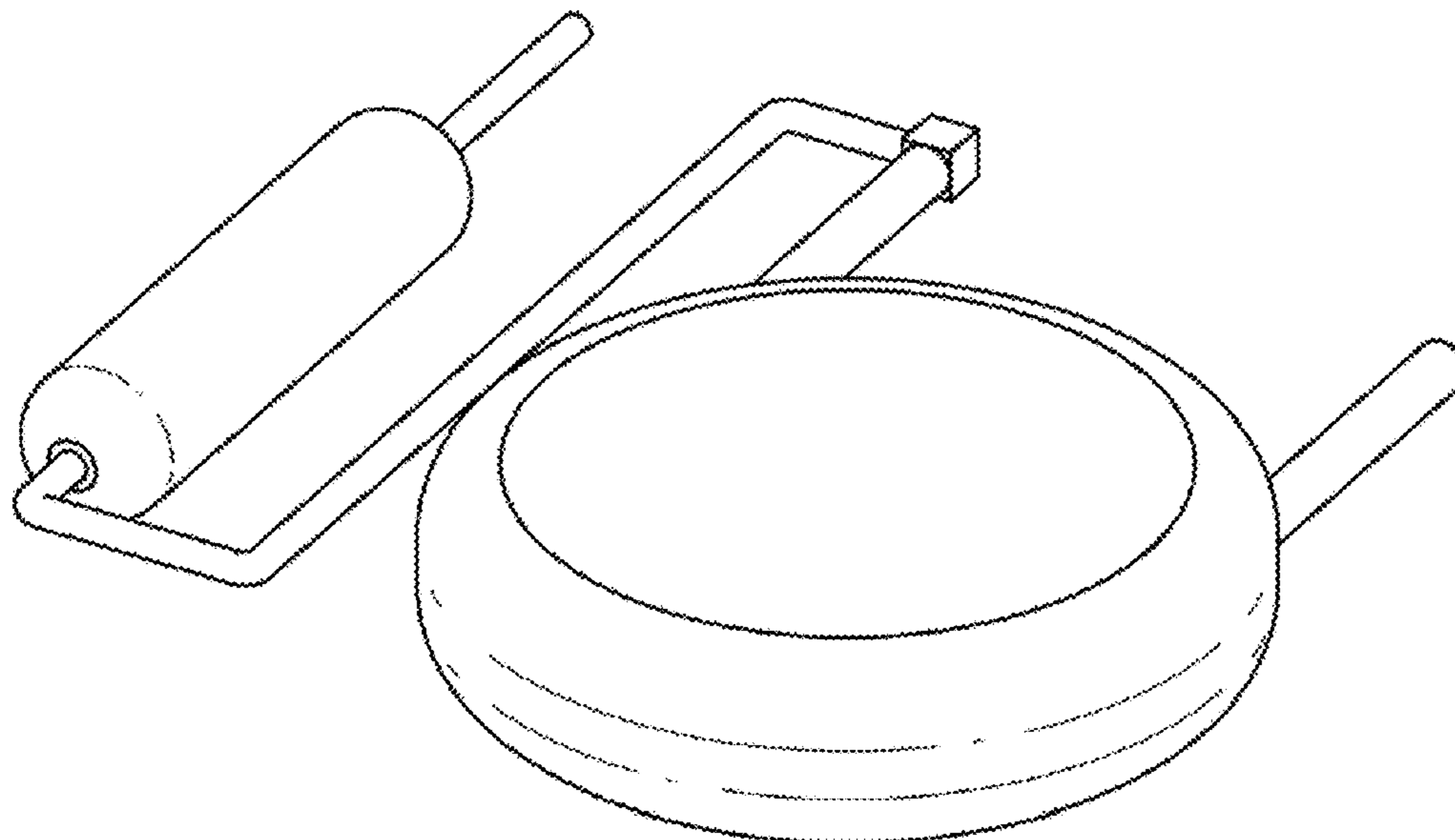
(57) **CLAIM**

The ornamental design for a circuit protection element, as shown and described.

DESCRIPTION

FIG. 1 is a perspective view of a circuit protection element, showing our new design;
FIG. 2 is a front view of a circuit protection element;
FIG. 3 is a back view of a circuit protection element;
FIG. 4 is a left view of a circuit protection element;
FIG. 5 is a right view of a circuit protection element;
FIG. 6 is a top view of a circuit protection element; and,
FIG. 7 is a bottom view of a circuit protection element.

1 Claim, 4 Drawing Sheets



(56)

References Cited

U.S. PATENT DOCUMENTS

2009/0261451 A1* 10/2009 Whitney H01H 85/0241
257/530
2012/0013432 A1* 1/2012 Chan H01C 7/008
338/22 R
2017/0301437 A1* 10/2017 Yamaguchi H01C 7/008
2020/0373112 A1* 11/2020 Xu H01C 1/144
2021/0082652 A1* 3/2021 Kang H01H 85/165
2021/0090838 A1* 3/2021 Kang H01H 85/143
2021/0108970 A1* 4/2021 Stowell G08B 19/00

* cited by examiner

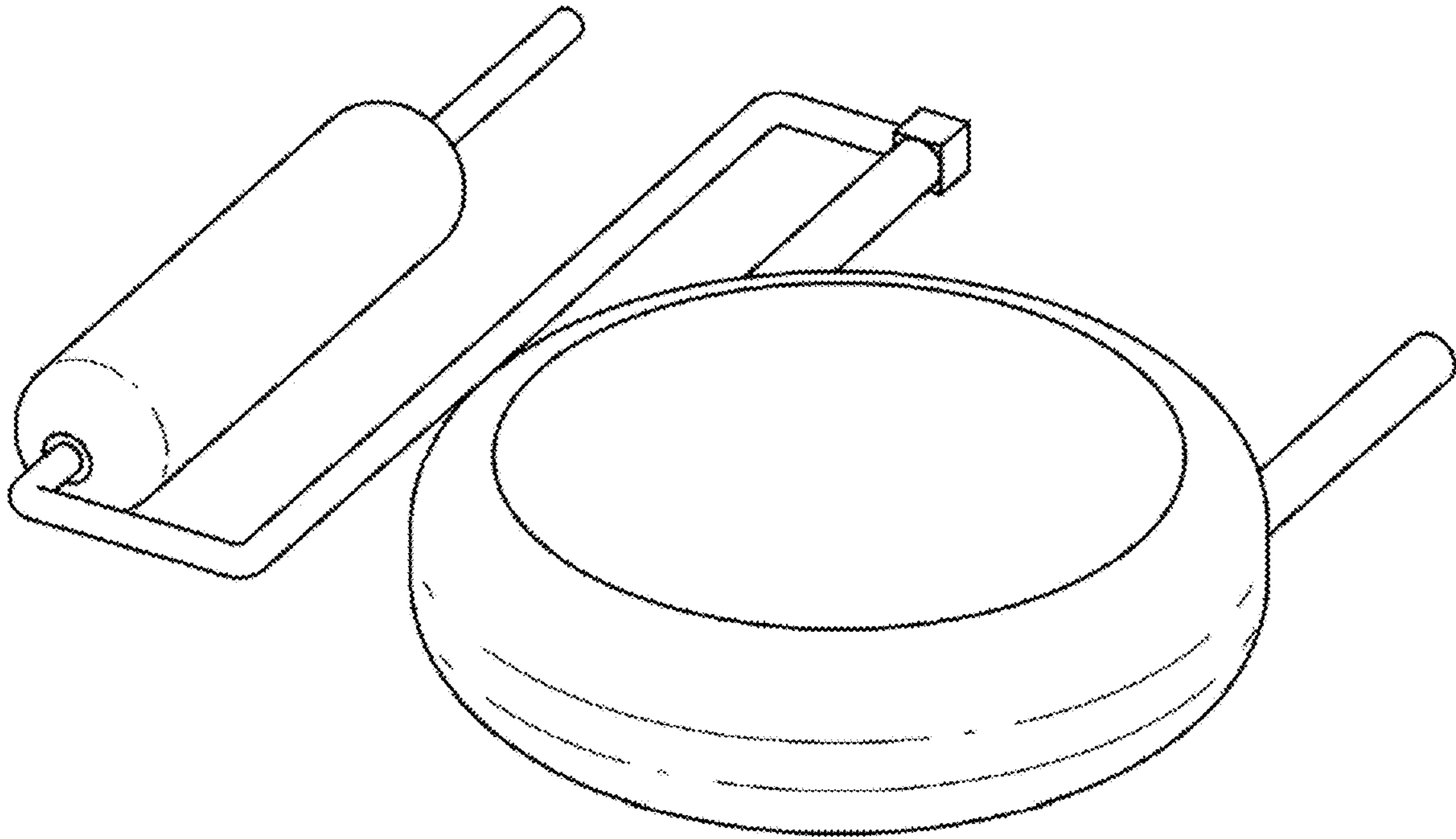


FIG. 1

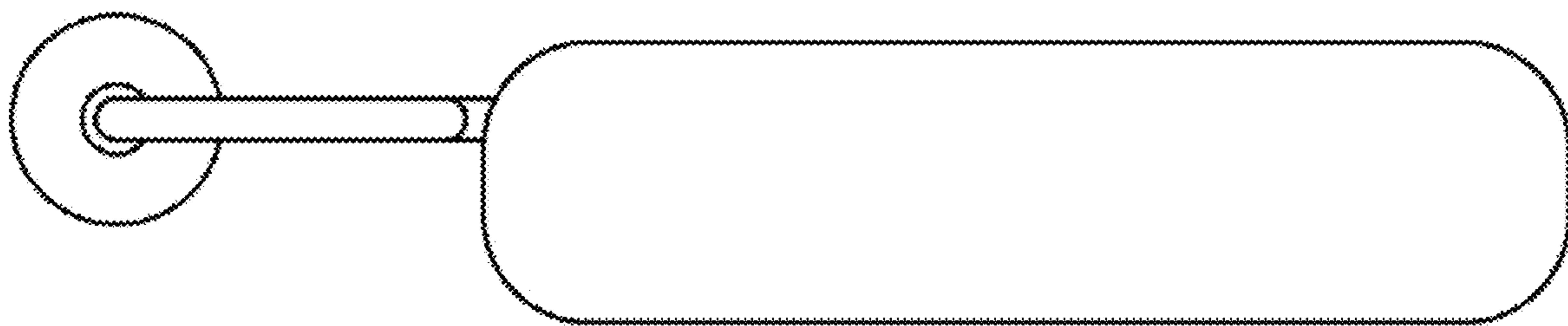


FIG. 2

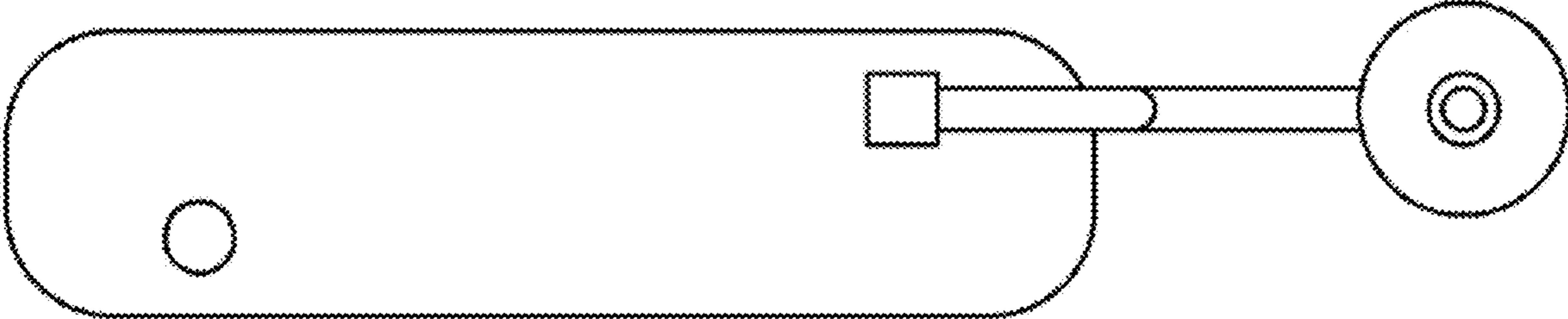


FIG. 3

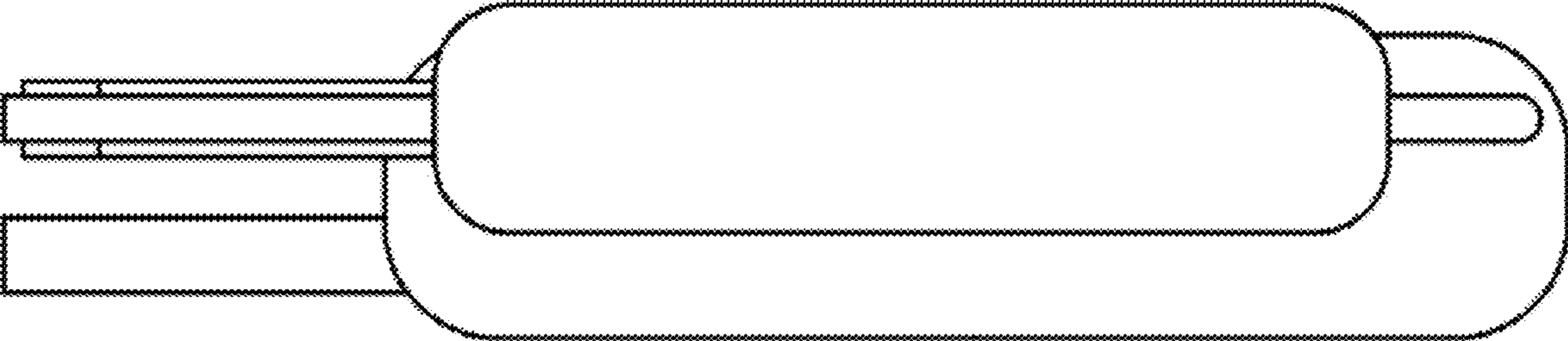


FIG. 4



FIG. 5

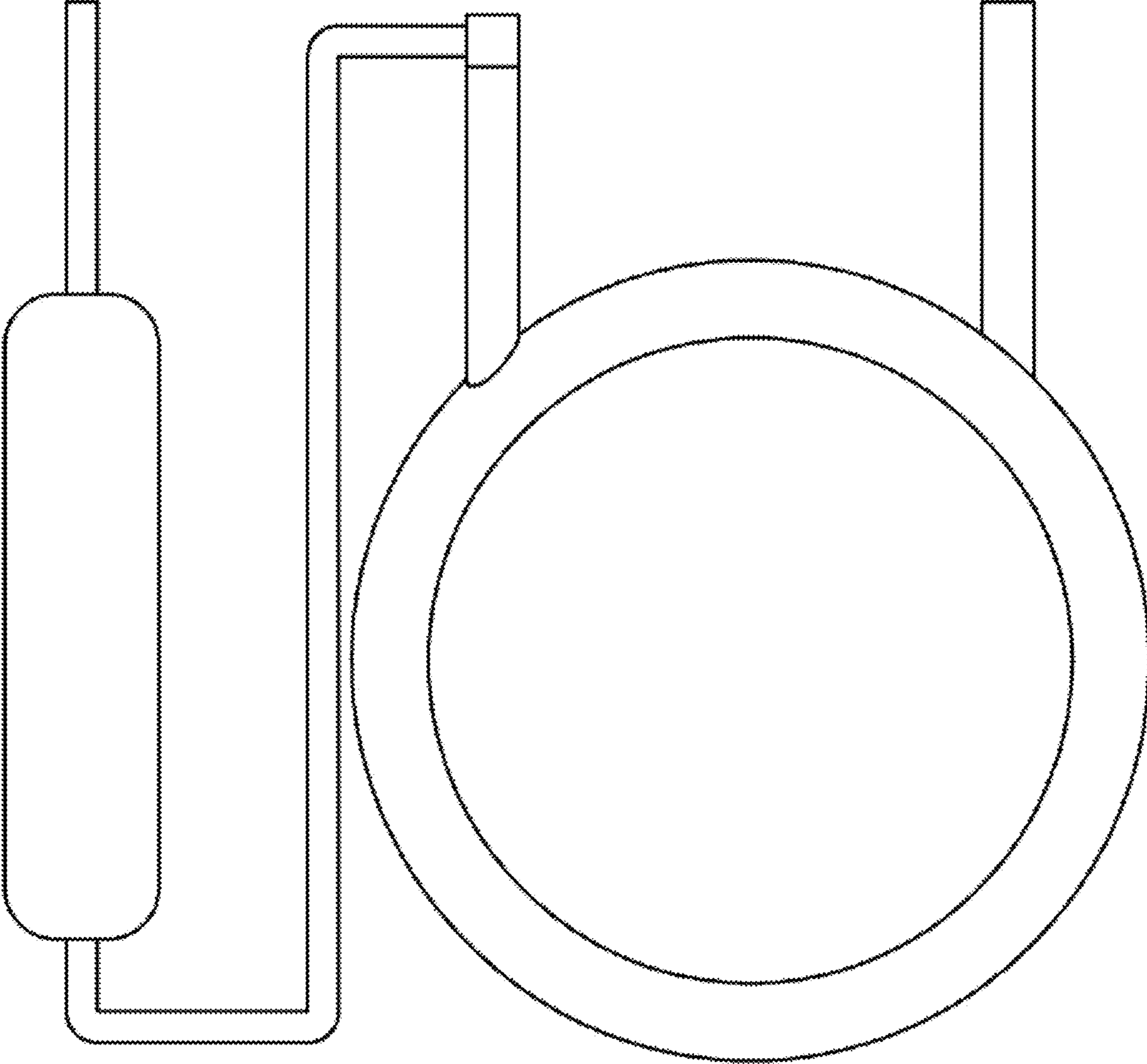


FIG. 6

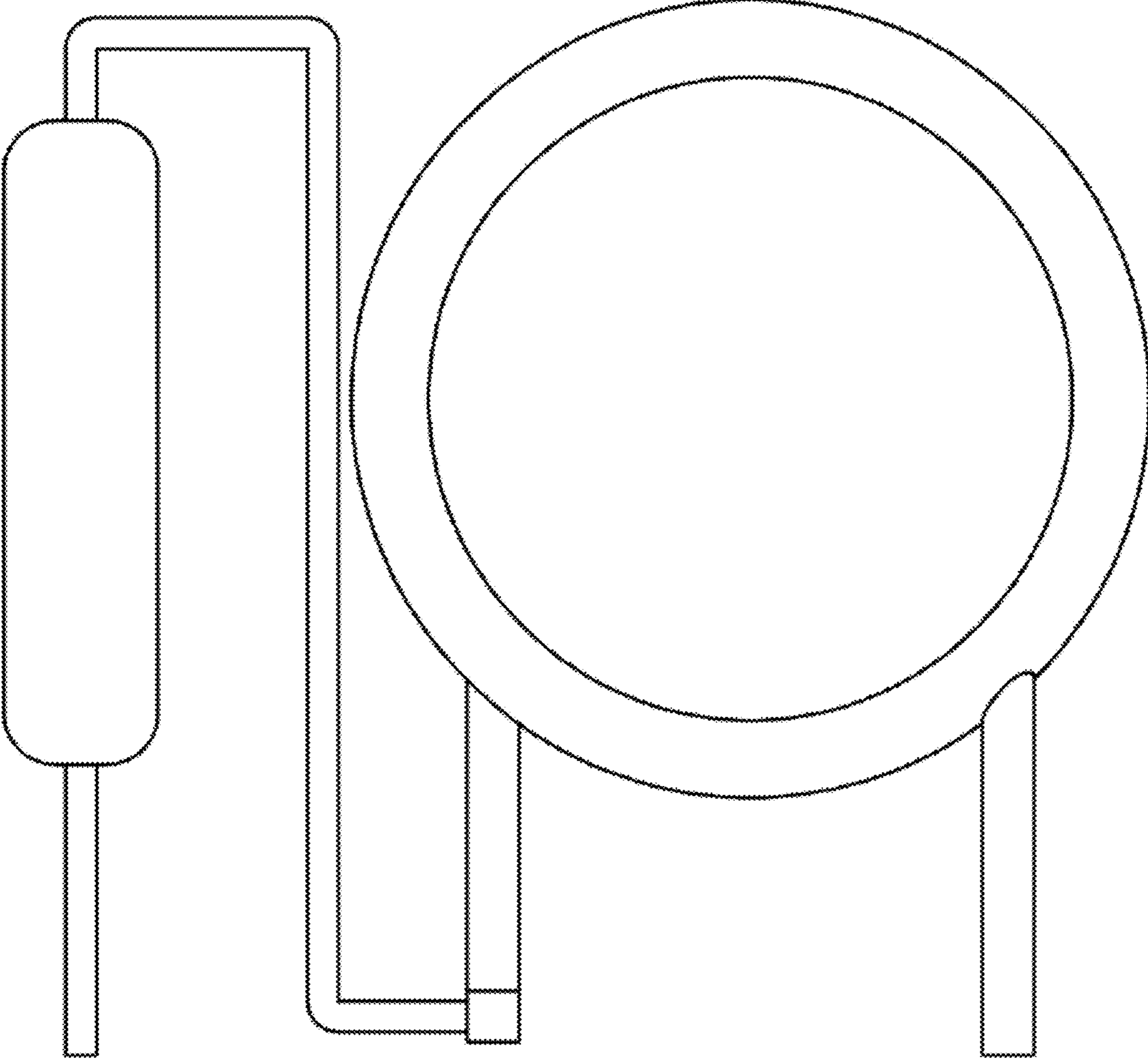


FIG. 7