



US00D933022S

(12) **United States Design Patent** (10) **Patent No.:** **US D933,022 S**  
**Angell et al.** (45) **Date of Patent:** **\*\* Oct. 12, 2021**

(54) **CONTACTOR** 5,677,655 A \* 10/1997 Hinata ..... H01H 50/545  
 335/132  
 (71) Applicant: **ABB Schweiz AG**, Baden (CH) D468,687 S 1/2003 Hamada et al.  
 D498,465 S 11/2004 Kim  
 D547,730 S 7/2007 Azzola et al.  
 (72) Inventors: **Markus Angell**, Västerås (SE); **Gunnar**  
**Johansson**, Västerås (SE); **Dennis**  
**Björnberg**, Västerås (SE) D629,367 S 12/2010 Detemple et al.  
 D647,844 S 11/2011 Engblom et al.  
 D647,845 S 11/2011 Engblom et al.  
 8,587,240 B2 11/2013 Wolfe et al.  
 (73) Assignee: **ABB Schweiz AG**, Baden (DE) D713,801 S \* 9/2014 Johansson ..... D13/158  
 D714,733 S \* 10/2014 Johansson ..... D13/158  
 D733,070 S 6/2015 Engblom et al.  
 D733,071 S 6/2015 Engblom et al.  
 D753,067 S 4/2016 Thomasson et al.  
 (\*\*) Term: **15 Years** 9,343,245 B2 5/2016 Oh  
 D780,698 S \* 3/2017 Karlen ..... D13/158  
 D781,242 S \* 3/2017 Karlen ..... D13/159  
 (21) Appl. No.: **29/681,511**  
 (22) Filed: **Feb. 26, 2019**  
 (30) **Foreign Application Priority Data**

Dec. 4, 2018 (EM) ..... 005842929  
 (51) **LOC (13) Cl.** ..... **13-03**  
 (52) **U.S. Cl.**  
 USPC ..... **D13/159**  
 (58) **Field of Classification Search**  
 USPC ..... D13/123, 126, 152, 156, 158–160, 162,  
 D13/173, 177, 184, 199  
 CPC ..... H01H 1/58; H01H 9/24; H01H 50/00;  
 H01H 50/02; H01H 50/14; H01H 50/16;  
 H01H 50/54; H01H 50/545  
 See application file for complete search history.

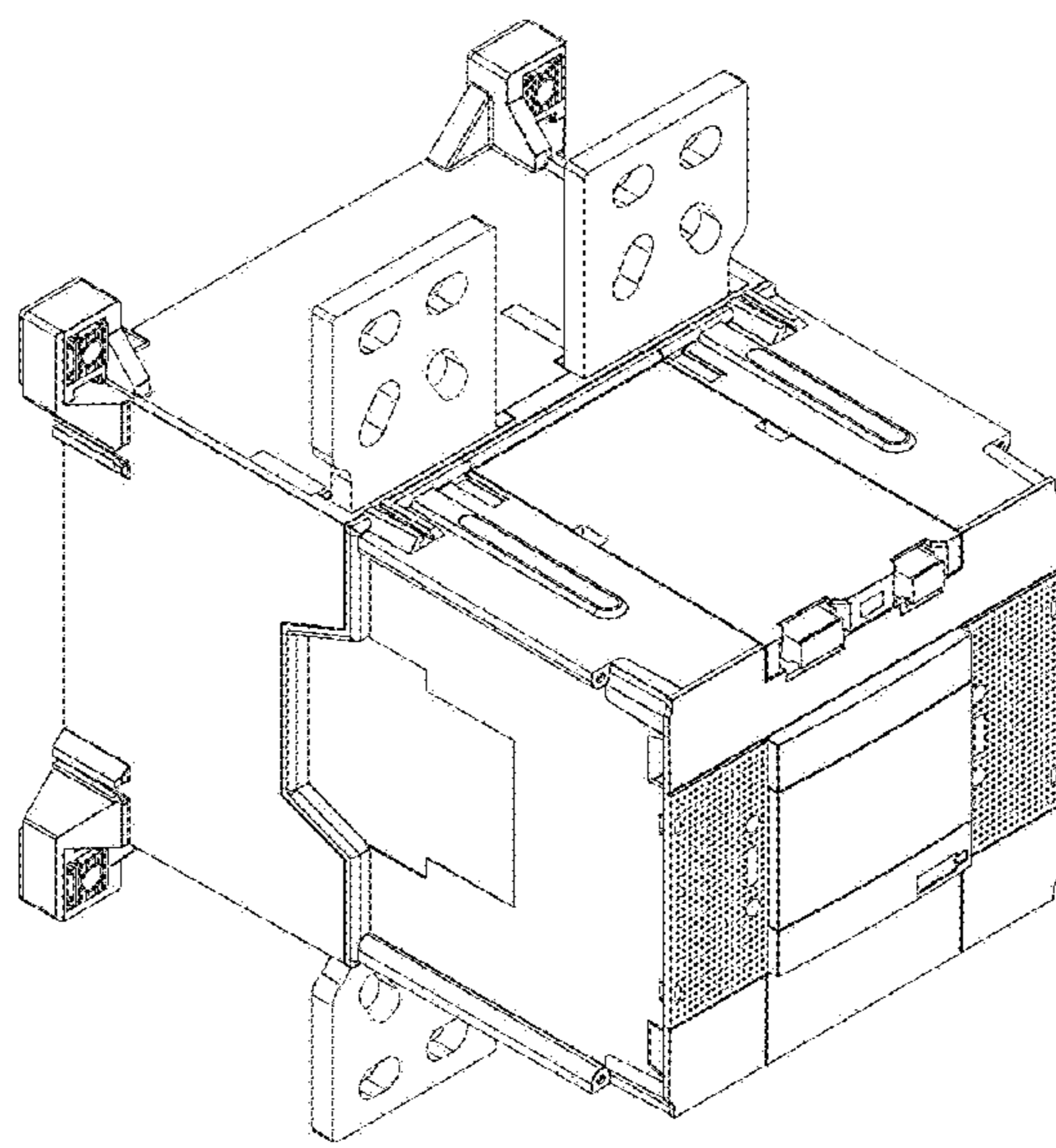
(56) **References Cited**  
 U.S. PATENT DOCUMENTS  
 D183,812 S 10/1958 Schaus  
 4,620,263 A 10/1986 Ito  
 4,774,484 A \* 9/1988 Lehman ..... H01H 50/545  
 335/132  
 D325,726 S 4/1992 Yamagata et al.  
 D340,698 S 10/1993 Nystrom  
 D358,753 S 5/1995 Yoshida et al.  
 D359,948 S 7/1995 Merlin  
 5,493,083 A 2/1996 Olivier

**FOREIGN PATENT DOCUMENTS**  
 JP 2001167680 A \* 6/2001  
 JP 2018129257 A \* 8/2018 ..... H01H 1/58  
 Primary Examiner — Shawn T Gingrich  
 (74) Attorney, Agent, or Firm — Whitmyer IP Group LLC

(57) **CLAIM**  
 The ornamental design for a contactor, as shown and described.

**DESCRIPTION**  
 FIG. 1 is a front isometric view of a contactor in accordance with the new design;  
 FIG. 2 is a front side elevational view thereof;  
 FIG. 3 is a rear side elevational view thereof;  
 FIG. 4 is a left side elevational view thereof;  
 FIG. 5 is a right side elevational view thereof;  
 FIG. 6 is a top plan view thereof; and,  
 FIG. 7 is a bottom plan view thereof.  
 The broken lines in the drawings illustrate portions of the contactor that form no part of the claimed design.

**1 Claim, 7 Drawing Sheets**



(56)

**References Cited**

U.S. PATENT DOCUMENTS

D781,243 S \* 3/2017 Karlen ..... D13/159  
D788,714 S \* 6/2017 Karlen ..... D13/159  
2002/0192990 A1 12/2002 Alexandre  
2009/0325423 A1\* 12/2009 Bollinger ..... H01H 50/14  
439/638  
2019/0139720 A1\* 5/2019 Kumar ..... H01H 9/24

\* cited by examiner

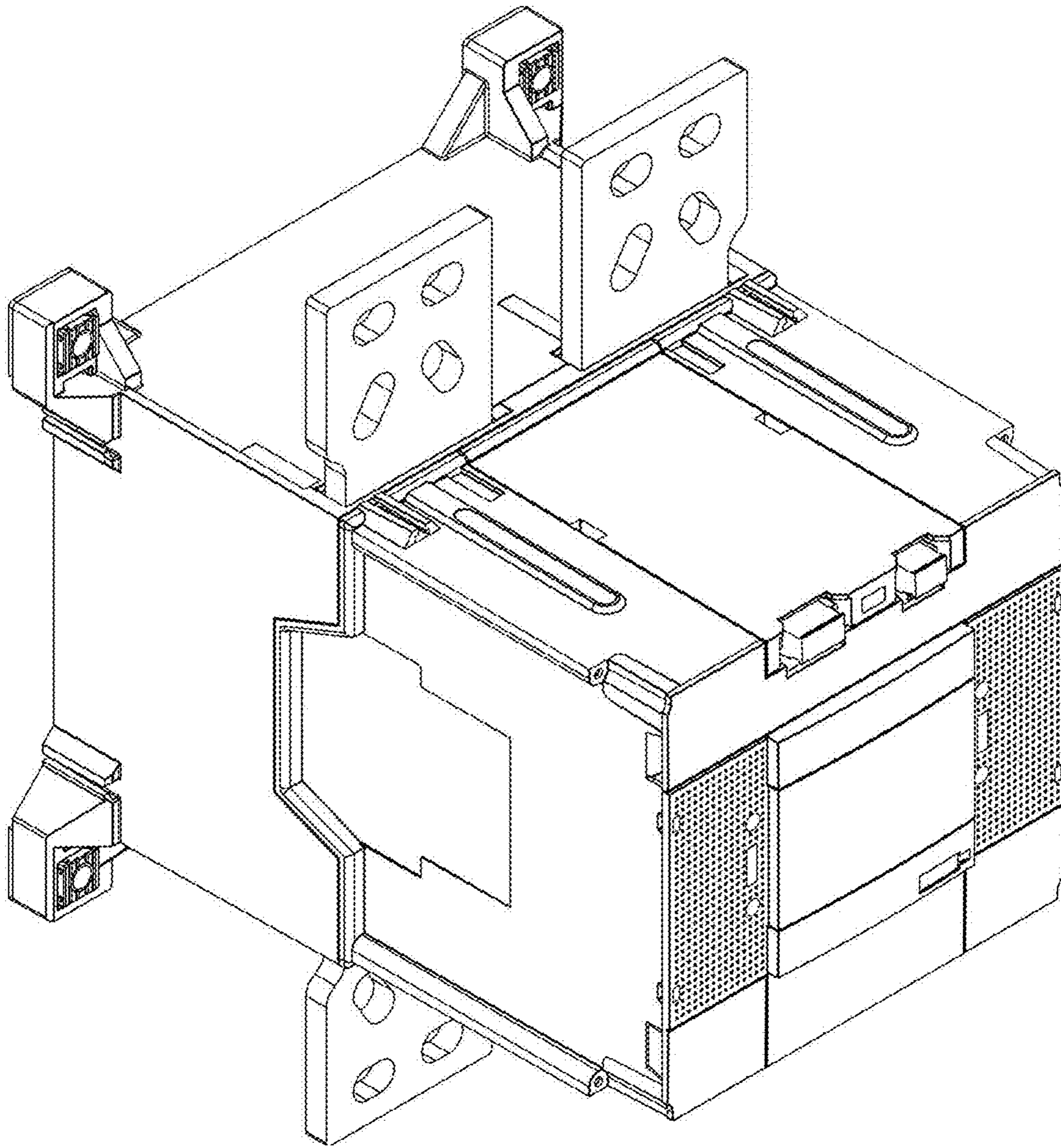


Fig. 1

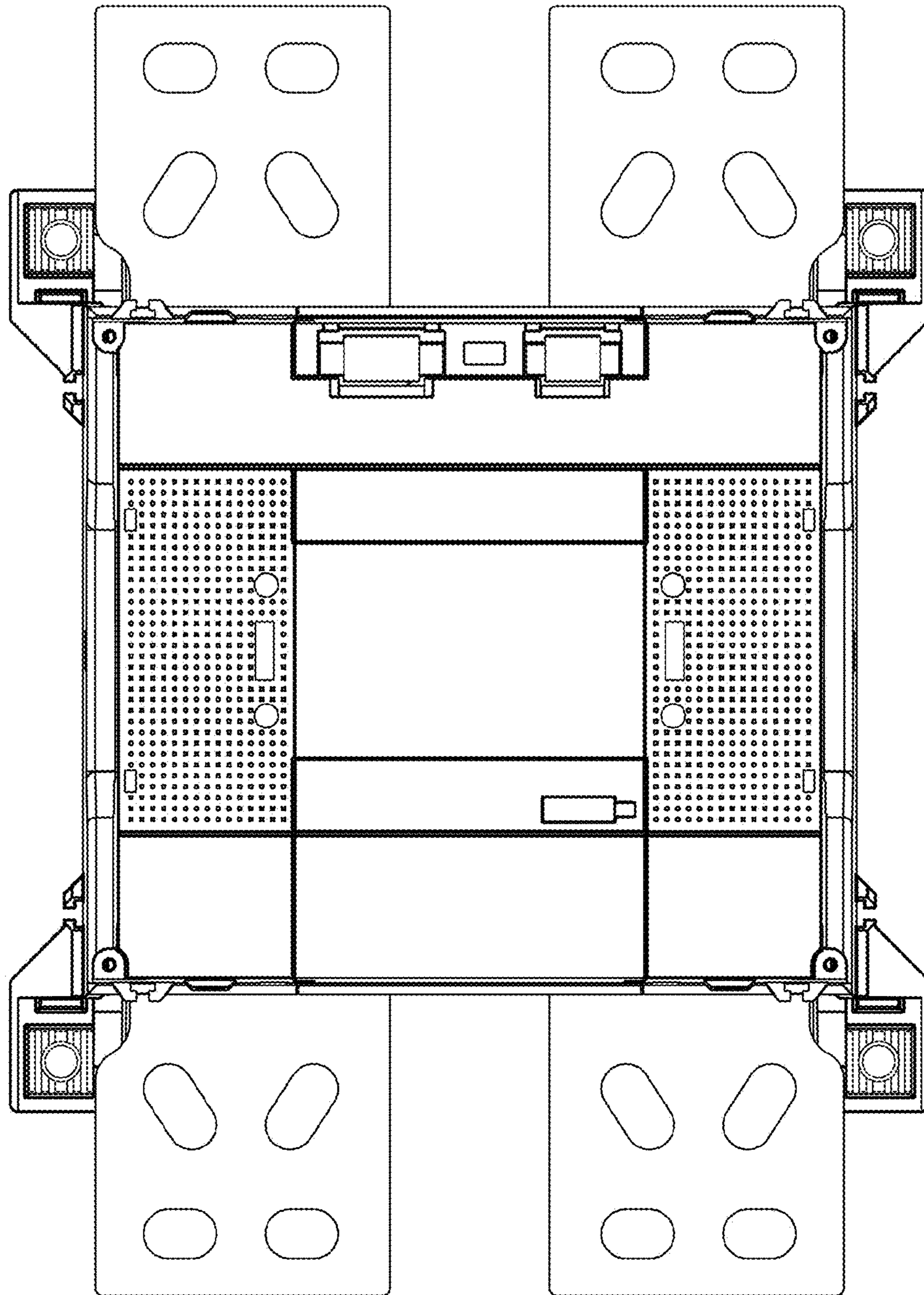


Fig. 2

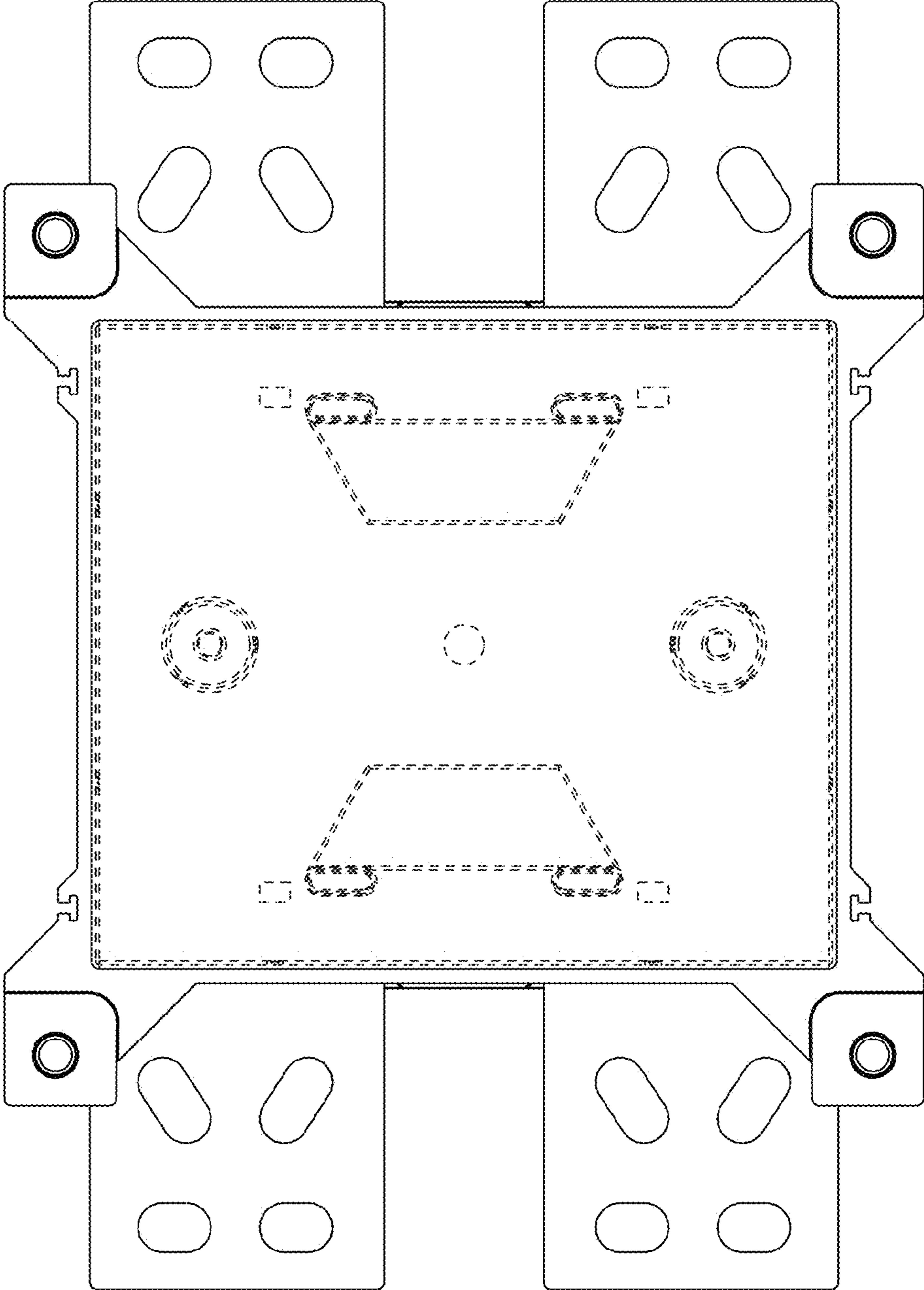


Fig. 3

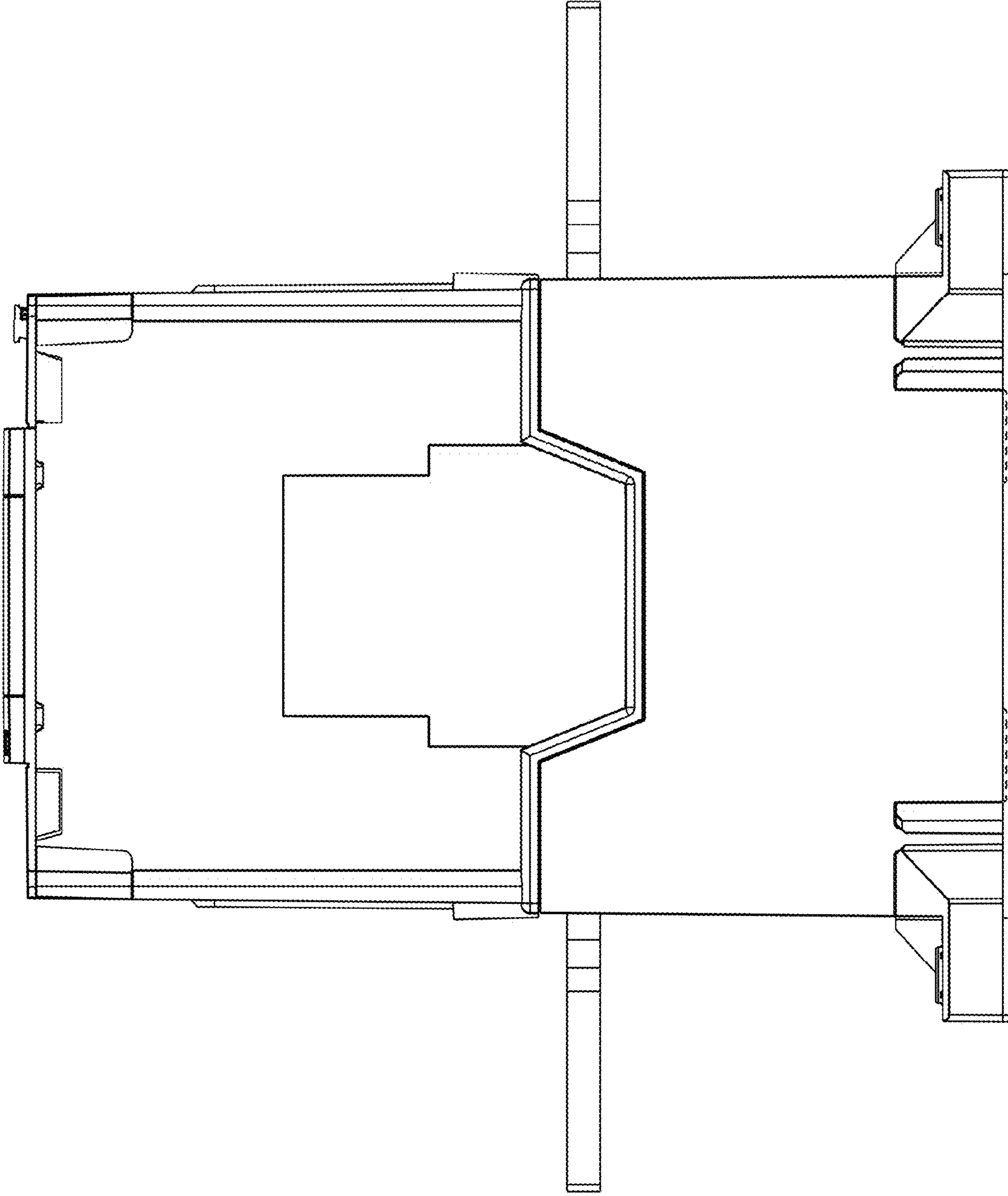


Fig. 4

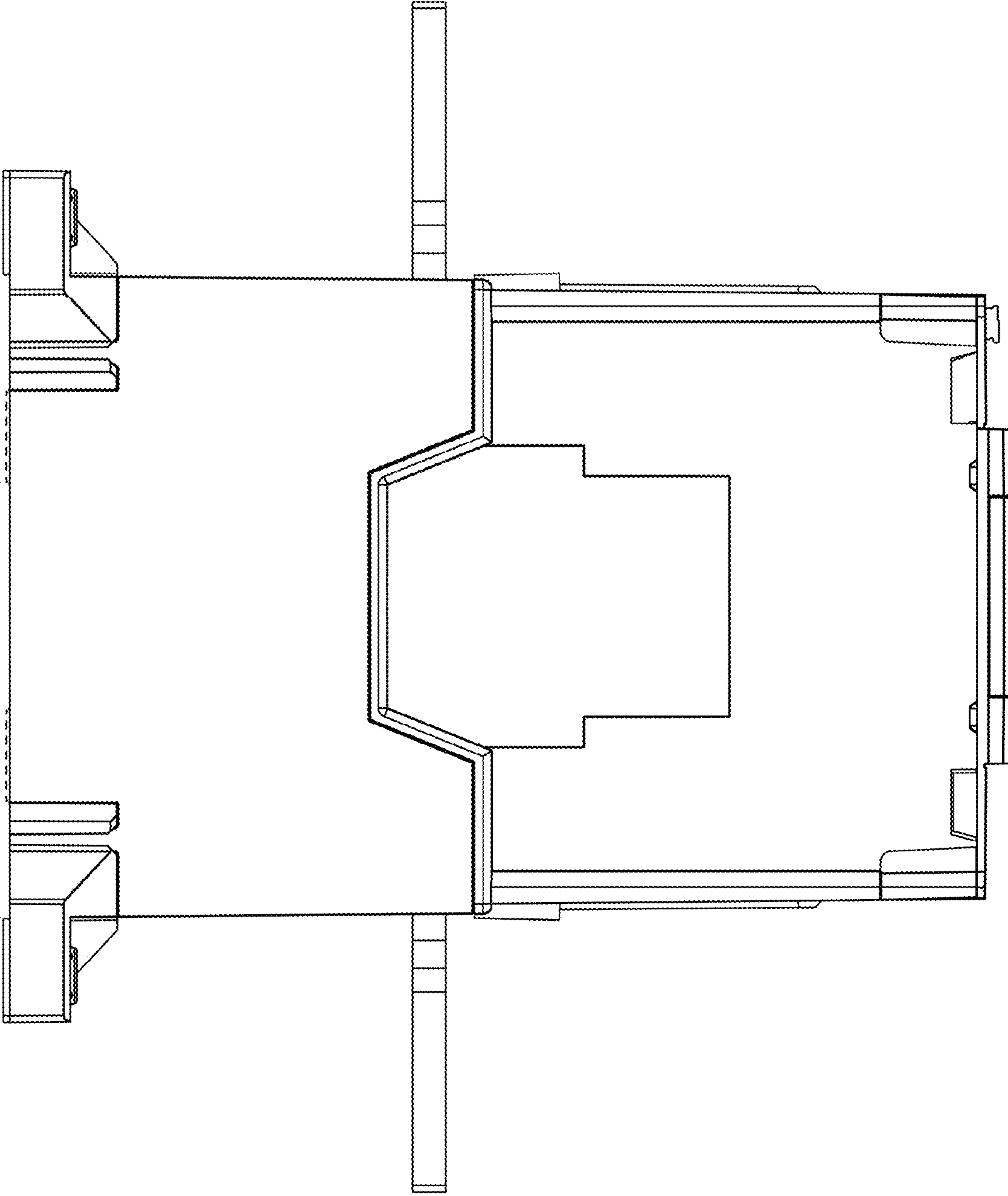


Fig. 5

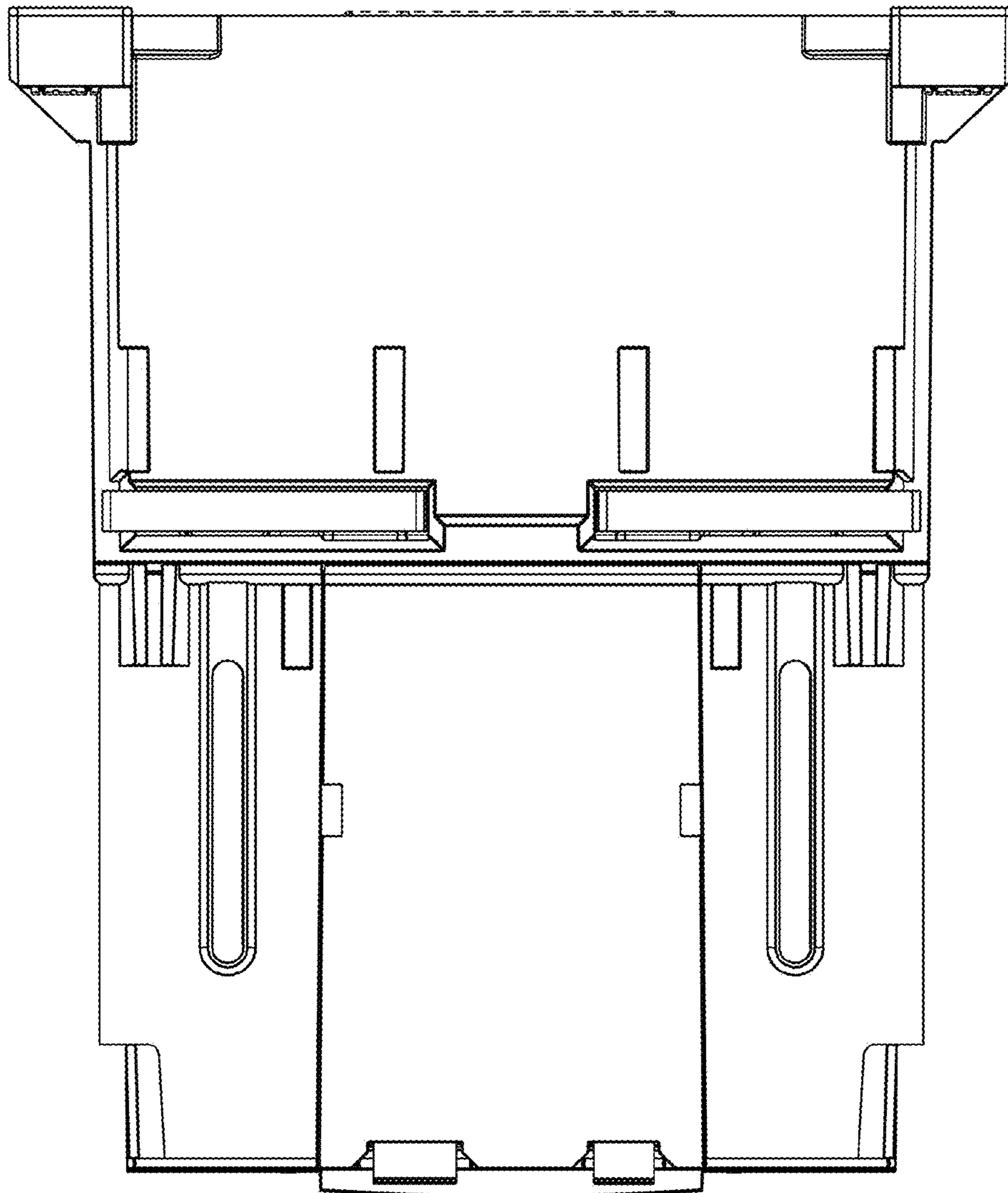


Fig. 6



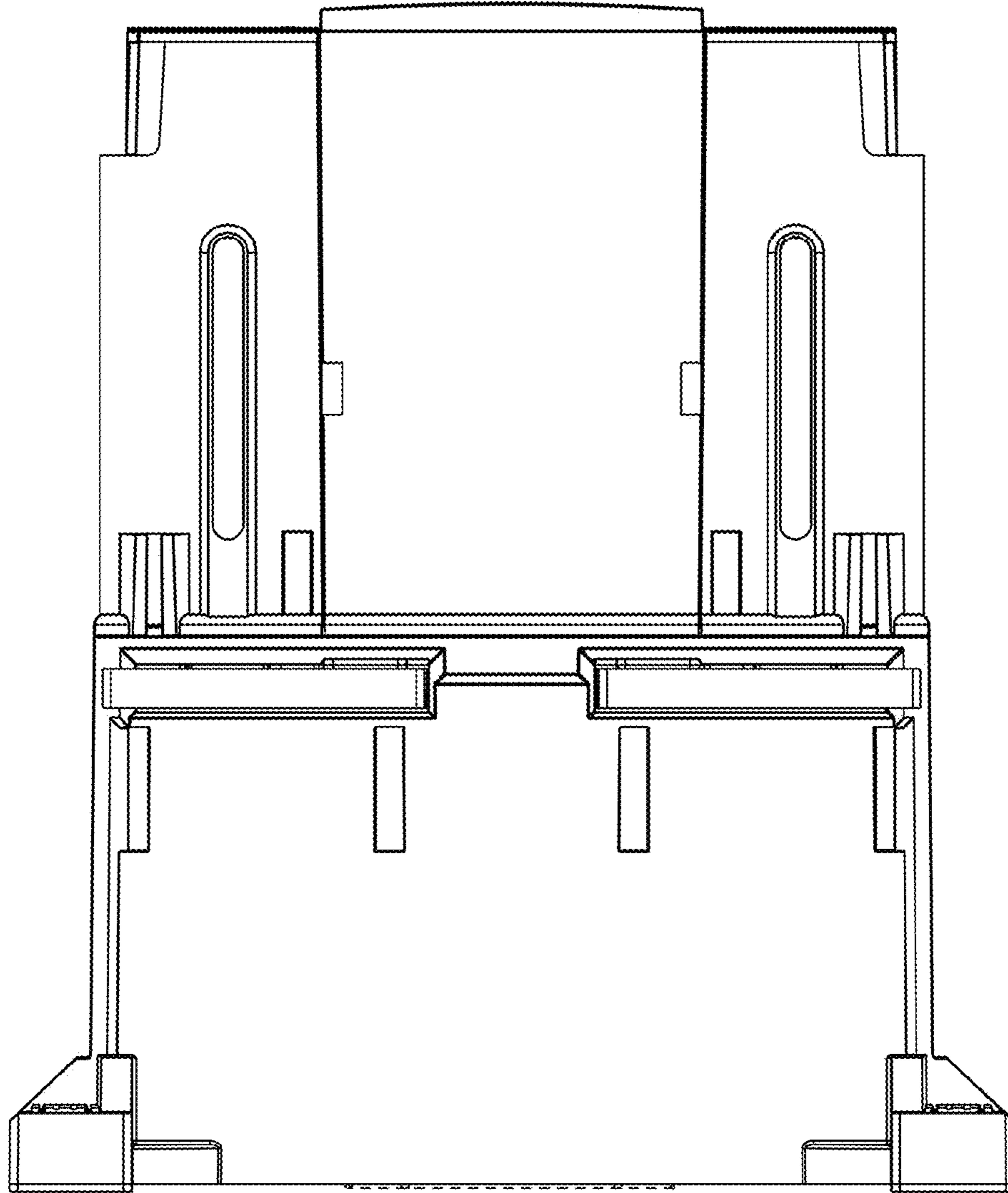


Fig. 7