



US00D933020S

(12) **United States Design Patent** (10) **Patent No.:** **US D933,020 S**
Guthmiller (45) **Date of Patent:** **** Oct. 12, 2021**

(54) **FLUSH MOUNT ELECTRICAL BOX ASSEMBLY**

(71) Applicant: **Marty Guthmiller**, Cave Creek, AZ (US)

(72) Inventor: **Marty Guthmiller**, Cave Creek, AZ (US)

(**) Term: **15 Years**

(21) Appl. No.: **29/687,665**

(22) Filed: **Apr. 15, 2019**

(51) **LOC (13) Cl.** **13-03**

(52) **U.S. Cl.**
USPC **D13/152**

(58) **Field of Classification Search**
USPC D13/123, 126, 152, 156, 173, 177, 184
CPC H02G 3/08; H02G 3/081; H02G 3/12;
H02G 3/14; H02G 3/123; H02G 3/126
See application file for complete search history.

(56) **References Cited**

U.S. PATENT DOCUMENTS

3,386,071	A	5/1968	Jimmie	
3,580,987	A	5/1971	Priaroggia	
4,890,418	A	1/1990	Sachs	
4,927,039	A *	5/1990	McNab	H02G 3/125 174/57
5,073,681	A *	12/1991	Hubben	H02G 3/14 174/66
D329,422	S *	9/1992	Fujiyoshi	D13/139.1
D343,825	S *	2/1994	Enderby	D13/152
5,363,269	A	11/1994	McDonald	
5,741,158	A *	4/1998	Reed	G02B 6/4466 439/536
5,833,110	A	11/1998	Chandler et al.	
6,106,328	A	8/2000	O'Neal	
6,215,066	B1	4/2001	Kelso et al.	
6,229,087	B1	5/2001	Archer	

6,410,851	B1 *	6/2002	Lamar	H02G 3/10 174/66
D462,664	S *	9/2002	Roesch	D13/152
6,450,232	B1	9/2002	Smythe, Jr.	
D467,229	S *	12/2002	Heggem	D13/152
D478,553	S *	8/2003	Heggem	D13/152
D482,661	S *	11/2003	Shotey	D13/156
6,649,835	B2	11/2003	Gilleran	
6,654,471	B1	11/2003	Varga	
6,674,003	B1	1/2004	Torres	
6,695,181	B1	2/2004	Kreitzer et al.	
6,909,050	B1	6/2005	Bradford	
6,914,187	B2 *	7/2005	Hull	H02G 3/125 174/135

(Continued)

OTHER PUBLICATIONS

“Zip Box Blue Switch and Outlet Boxes,” Catalog, Carlon, Jun. 2006, Last Accessed Mar. 5, 2019, Available at http://www.carlonsales.com/techinfo/brochures/electrical/Zip%20Boxes_2B1.pdf.

(Continued)

Primary Examiner — Selina Sikder

(74) *Attorney, Agent, or Firm* — Law Offices of Lisa & Lesko LLC; Justin Lesko, Esq.

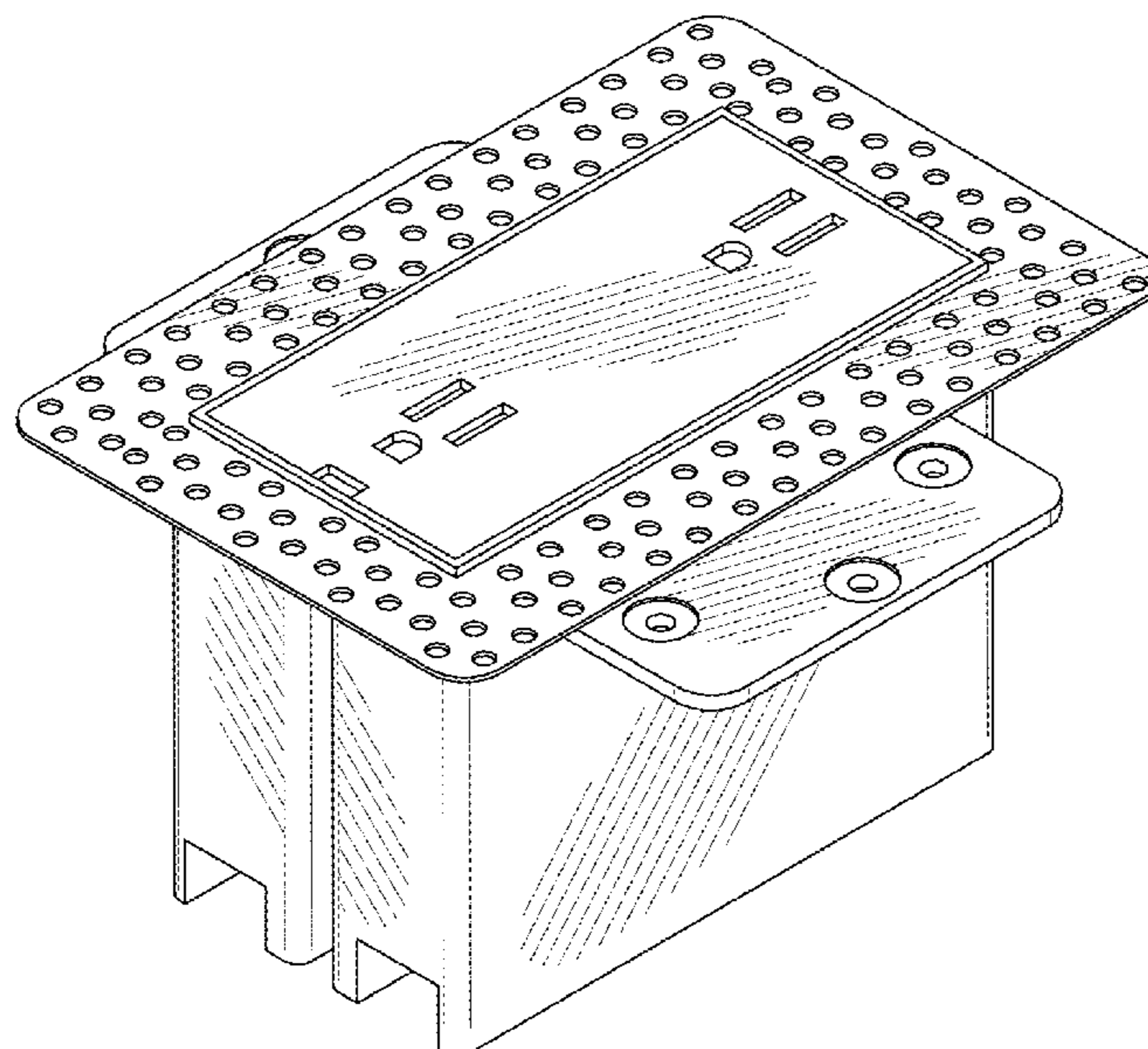
(57) **CLAIM**

I claim the ornamental design for a flush mount electrical box assembly, substantially as shown and described.

DESCRIPTION

FIG. 1 is a front perspective view of the flush mount electrical box assembly.
FIG. 2 is top view of FIG. 1.
FIG. 3 is a bottom view of FIG. 1.
FIG. 4 is a left side view of FIG. 1.
FIG. 5 is a right side view of FIG. 1.
FIG. 6 is a front view of FIG. 1; and,
FIG. 7 is a back view of FIG. 1.

1 Claim, 3 Drawing Sheets



(56)

References Cited

U.S. PATENT DOCUMENTS

D513,495 S * 1/2006 Hull D13/152
 D519,930 S * 5/2006 Hull D13/152
 7,087,837 B1 8/2006 Gretz
 7,098,399 B1 8/2006 Gretz et al.
 7,109,419 B1 * 9/2006 Gretz H02G 3/12
 174/66
 7,119,278 B1 * 10/2006 Shotey H02G 3/14
 174/66
 7,166,801 B1 1/2007 Gretz
 D539,751 S * 4/2007 Kiely D13/152
 7,319,192 B1 * 1/2008 Gretz H02G 3/123
 174/50
 7,353,961 B2 * 4/2008 Hull H02G 3/085
 174/666
 7,468,487 B1 * 12/2008 Murphy H02G 3/123
 174/53
 7,579,549 B2 * 8/2009 Jolly H02G 3/12
 174/50
 7,595,446 B2 * 9/2009 Turcovsky H02G 3/123
 174/50
 7,622,675 B2 11/2009 Sutter
 7,674,974 B1 3/2010 Shotey et al.
 7,718,893 B2 * 5/2010 Purves H02G 3/083
 174/53
 7,732,715 B2 * 6/2010 Paolucci H01R 24/76
 174/481
 7,789,257 B2 9/2010 Davis
 7,956,295 B2 6/2011 Arbel
 7,989,699 B1 * 8/2011 Shotey H02G 3/14
 174/53
 8,013,243 B2 9/2011 Korcz et al.
 8,076,577 B2 12/2011 Mango, Jr. et al.
 8,124,872 B2 2/2012 Vigorito et al.
 8,196,364 B2 6/2012 Moscovitch
 8,242,364 B1 * 8/2012 Shotey H02G 3/14
 174/66
 D679,256 S * 4/2013 Ericksen D13/156
 8,633,384 B1 * 1/2014 Shotey H02G 3/126
 174/53
 8,723,037 B1 5/2014 Matsumoto
 8,789,256 B2 * 7/2014 Temblador B21D 51/52
 29/505
 8,835,763 B1 9/2014 Hammond
 8,893,910 B2 * 11/2014 Batchelor H02G 3/088
 220/242
 8,933,331 B1 1/2015 Gretz
 9,024,186 B1 * 5/2015 Gonzalez H02G 3/14
 174/66
 9,039,831 B2 5/2015 Trudeau
 9,069,028 B2 6/2015 Ebner et al.
 9,101,051 B1 8/2015 Ferrara et al.
 9,148,004 B1 * 9/2015 Solomon H02G 3/12
 D774,467 S * 12/2016 Maccarone D13/152
 9,526,154 B2 12/2016 Thompson
 9,608,420 B1 3/2017 Ferrara
 9,777,478 B1 10/2017 Hulka et al.
 9,819,167 B2 * 11/2017 Kummer H02G 3/086
 D811,348 S * 2/2018 Cueller D13/152
 10,855,066 B2 * 12/2020 Elliott H02G 3/123
 2009/0249705 A1 10/2009 Struthers et al.
 2010/0186986 A1 * 7/2010 Kimbrell H02G 3/14
 174/66
 2011/0314759 A1 12/2011 McCullough
 2014/0224792 A1 * 8/2014 Beneke H02G 3/123
 220/3.3
 2015/0091553 A1 4/2015 Wong
 2016/0099530 A1 4/2016 Valenti et al.
 2017/0110862 A1 4/2017 Kirkland
 2017/0331265 A1 11/2017 Evilziser
 2018/0076616 A1 3/2018 Thrush et al.
 2020/0220341 A1 * 7/2020 Hughey H02G 3/12
 2020/0328583 A1 * 10/2020 Guthmiller H02G 3/123

OTHER PUBLICATIONS

“Raco Steel Boxes, Covers and Accessories,” Catalog, Hubbell, 2014, [A6], [A53-A54], Last Accessed Mar. 5, 2019, Available at <https://hubbellcdn.com/ohwassetes/HCI/RACO/Catalog/steelboxescoversaccessories.pdf>.
 “Switch & Outlet Boxes—Technical Data,” Catalog, Cooper Industries (EATON), 2015. Last Accessed Mar. 5, 2019, Available at <http://www.cooperindustries.com/content/dam/public/crousehinds/commercial-products/catalog-pdfs/cp-catalog-outlet-box-section.pdf>.
 “Steel City Metallic Boxes and Covers,” Catalog, Thomas & Betts, 2013, Last Accessed Mar. 5, 2019, Available at http://www.lawoolley.com/pdf/steel_city_boxes.pdf.
 “Catalogue, Section B—Decora Devices,” Catalog, Leviton, Date Unknown, [12-19], Last Accessed Mar. 9, 2019, Available at https://stevenengineering.com/tech_support/PDFs/74L101B.pdf.
 “Industrial Specification Grade 15 Amp and 20 Amp Duplex Receptacles,” Catalog, Leviton, 1995, Last Accessed Mar. 5, 2019, Available at http://stevenengineering.com/Tech_Support/PDFs/74INDREC.pdf.
 “Commercial grade straight blade duplex receptacles,” Catalog, Cooper Industries, Feb. 2018, Last Accessed Mar. 6, 2019, Available at http://www.cooperindustries.com/content/dam/public/wiringdevices/products/documents/spec_sheets2/commerical_grade_receptacles_spec_sheet.pdf.
 “Arrow Hart hospital grade self-test GFCI receptacles,” Catalog, Cooper Industries, Apr. 2018 Last Accessed Mar. 6, 2019, Available at http://www.cooperindustries.com/content/dam/public/wiringdevices/products/documents/spec_sheets2/hospital_grade_gfci_specsheet.pdf.
 “Section X,” Catalog, Hubbell, Date Unknown, Last Accessed Mar. 6, 2019, Available at <http://ecatalog.hubbell-wiring.com/press/catalog/x.pdf>.
 “Datacom Accessories Catalog,” Catalog, Structured Cable Products, Date Unknown, Last Accessed Mar. 9, 2019, Available at <https://www.scpca5e.com/catalog/scp-datacom-accessories.pdf>.
 “RJ45 Connectors,” Catalog, Polamco, 2010, Last Accessed Mar. 6, 2019, Available at <http://www.farnell.com/datasheets/1581551.pdf>.
 “EZ-RJ45 Connector,” Catalog, Leviton, 2003, Last Accessed Mar. 6, 2019, Available at <https://www.accu-tech.com/hs-fs/hub/54495/file-17725291-pdf/docs/specs/47613-ezc.pdf>.
 “High Voltage Wire and Cable General Specifications,” Data Sheet, RI, Date Unknown, Last Accessed Mar. 6, 2019, Available at <http://www.comcraft.co.jp/products/teledynereynolds/data/multi-cables.pdf>.
 “Building Wire,” Catalog, General Cable, Oct. 2012, Last Accessed Mar. 6, 2019, Available at http://www.aainy.com/pdf/building_wire.pdf.
 “USG Sheetrock Brand Gypsum Panels,” Submittal Sheet, USG, Jun. 2017, Last Accessed Mar. 5, 2019, Available at https://www.usg.com/content/dam/USG_Marketing_Communications/united_states/product_promotional_material/finsihed_assets/sheetrock-gypsum-panels-regular-firecode-cores-submittal-WB1473.pdf.
 “Durasan Prefinished Gypsum Board,” Catalog, Gold Bond, Jul. 2018, Last Accessed Mar. 5, 2019, Available at <https://nationalgypsum.com/File/09%2072%2000-34.pdf>.
 “USG Sheetrock Brand Installation and Finishing Guide,” Manual, USG, Sep. 2015, Last Accessed Mar. 5, 2019, Available at https://www.usg.com/content/dam/USG_Marketing_Communications/united_states/product_promotional_materials/finished_assets/sheetrock-gypsum-panels-installation-guide-en-J371.pdf.
 “DensShield Tile Backer Technical Guide,” Manual, Georgia-Pacific, Feb. 2018, Last Accessed Mar. 5, 2019, Available at <https://cache5.buildgp.com/wp-content/uploads/2018/11/DensShield-Tile-Backer-Technical-Guide.pdf>.
 “Dricore Smartwall Detailed Installation,” Manual, Dricore, Date Unknown, Last Accessed Mar. 5, 2019, Available at http://www.dricore.com/nw/PDF/Detailed_Installation_Guide_web-2.pdf?_ga=2.2754935.698343861.1551842844-1360570901.1551842844.

(56)

References Cited

OTHER PUBLICATIONS

Taylor, Glenda, "How to: Mud Drywall," Article, BobVila, Date Unknown, Last accessed Mar. 8, 2019, Available at <https://www.bobvila.com/articles/how-to-mud-drywall/>.

"Hot to Hand Drywall and Mud" Article, diy Network, Date Unknown, Last Accessed Mar. 8, 2019, Available at <https://www.diynetwork.com/how-to/rooms-and-spaces/walls-and-ceilings/how-to-hang-drywall-and-mud>.

"How to Hang Drywall" Article, Lowe's, Date Unknown, Last accessed Mar. 8, 2019, Available at <https://www.lowes.com/projects/build-and-remodel/how-to-hang-drywall/project>.

"Proform Brand All Purpose Joint Compound," Catalog, National Gypsum, Feb. 2019, Last Accessed Mar. 5, 2019, Available at <https://www.nationalgypsum.com/File/09%2029%2000-43.pdf>.

"USG Sheetrock Brand All Purpose Joint Compound," Submittal Sheet, USG, Oct. 2016, Last Accessed Mar. 5, 2019, Available at http://pdf.lowes.com/operatingguides/081099203602_oper.pdf.

"DAP Phenopatch Premium Lightweight Joint Compound with Drydex Dry Time Indicator Technology," Bulletin, Phenopatch, Nov. 2013, Last Accessed Mar. 5, 2019, Available at <http://www.phenopatch.com/docs/tdb/9.pdf>.

"Drywall Screw, Bugle Head, Cross Recessed Drive, Pierce Point, Coarse Thread, Yellow Zinc," Catalog, Fastenal, Oct. 2018, Last Accessed Mar. 6, 2019, Available at https://www.fastenal.com/contest/product_specifications/DRWL.BHPH.PP.COR.YZ.pdf.

"Wallplate Buying Guide," Catalog, Leviton, 2015, Last Accessed Mar. 8, 2019, Available at <https://images.homedepot-static.com/catalog/pdfimages/56/566b87e5-ea5a-4976-a9d2-9fb99b7d8680.pdf>.

"2016 Arrow Hart Buyers Guide, Section K," Catalog, Eaton, 2016, Last Accessed Mar. 8, 2019, Available at <http://www.cooperindustries.com/content/dam/public/wiringdevices/BuyersGuides/AHBG/K/AHBG-K-Sec.pdf>.

"Installation Guide," Manual, TRUFIG, Dec. 2016, [5-7], Last Accessed Mar. 8, 2019, Available at https://static1.squarespace.com/static/56746411c647ad126efd0b08/t/5841f4d09f7456bcf344653b/1480717524900/TRUFIG+Install+Guide_12-02-16.pdf.

TRUFIG Sales Brochure, TRUFIG, 2013, Last Accessed Mar. 8, 2019, Available at https://static1.squarespace.com/static/56746411c647ad126efd0b08/t/57b1fdd9f5e231d16e9f2a4f/1471282658946/Trufig_Brochure.pdf.

"Retail Price List," Catalog, TRUFIG, Oct. 2016, Last Accessed Mar. 8, 2019, Available at https://static1.squarespace.com/static/56746411c647ad126efd0b08/t/57f5357b2e69cfc6c9816b3/1475687807191/TRUFIG+Retail+Price+List_10_4_16.pdf.

Non-Final Office Action in U.S. Appl. No. 16/848,408, (dated May 11, 2021).

Response to Non-Final Office Action in U.S. Appl. No. 16/848,408 (dated Mar. 10, 2021).

Notice of Allowance in U.S. Appl. No. 16/848,408, (dated Jun. 24, 2021).

* cited by examiner

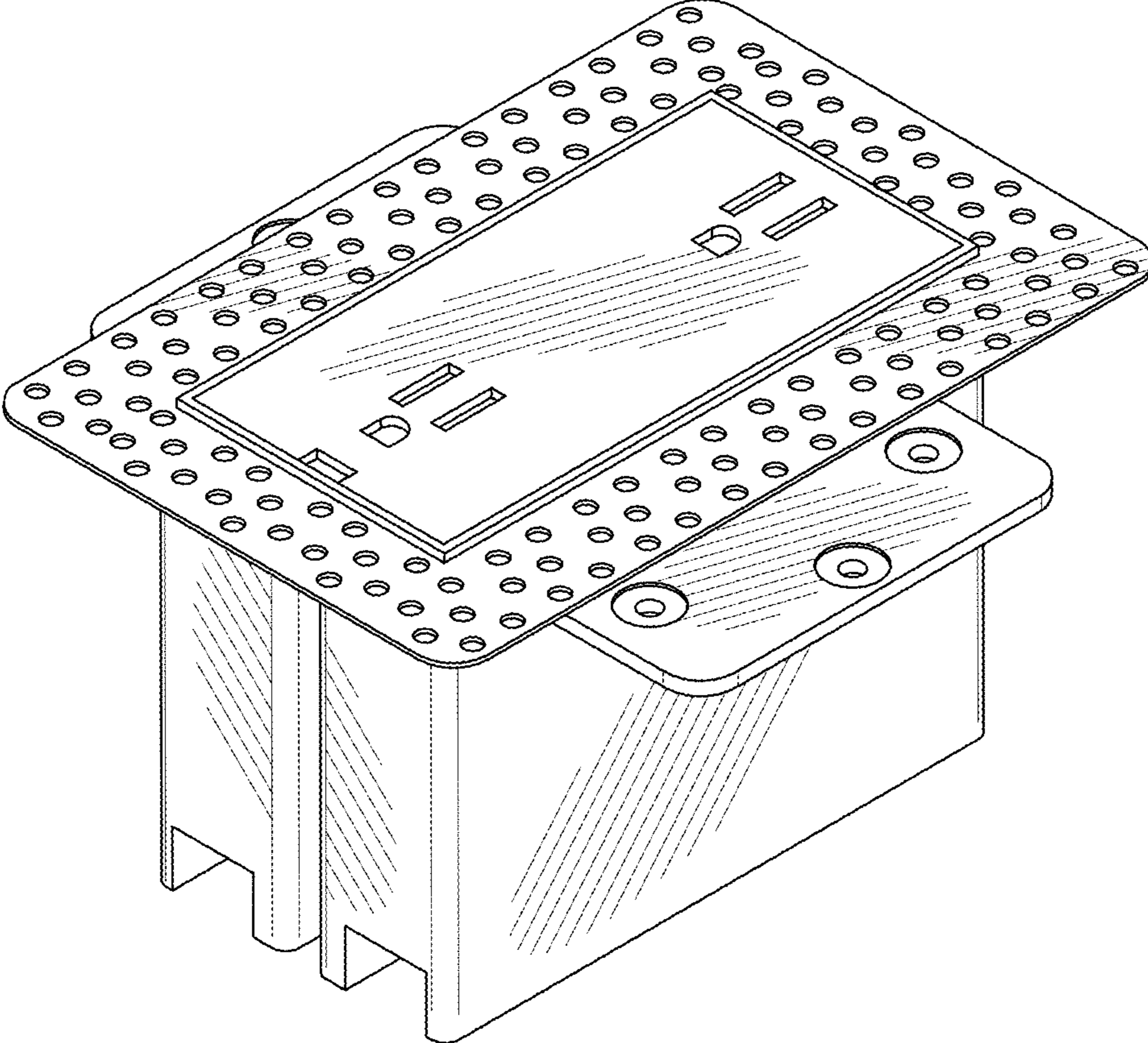


FIG .1

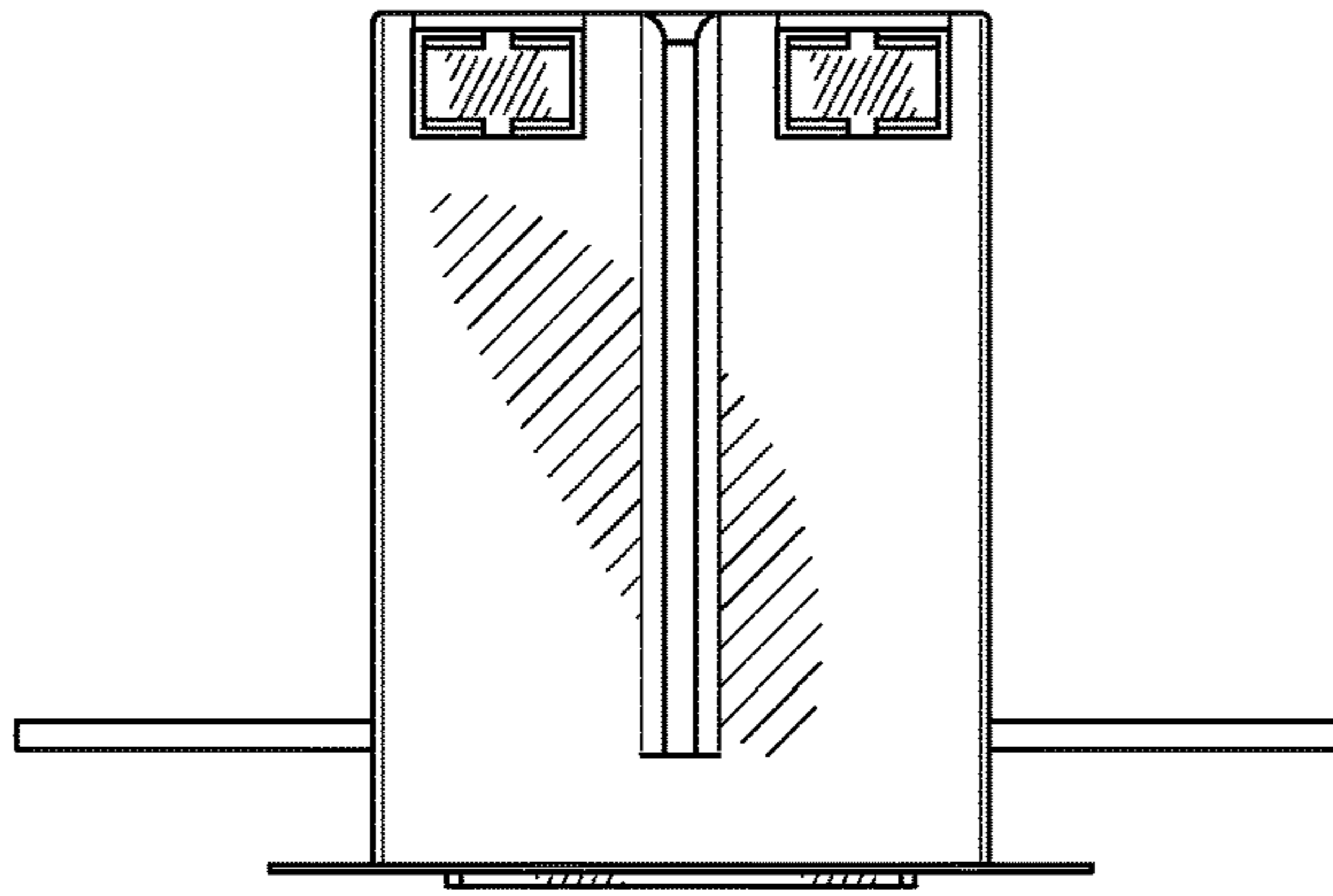


FIG .2

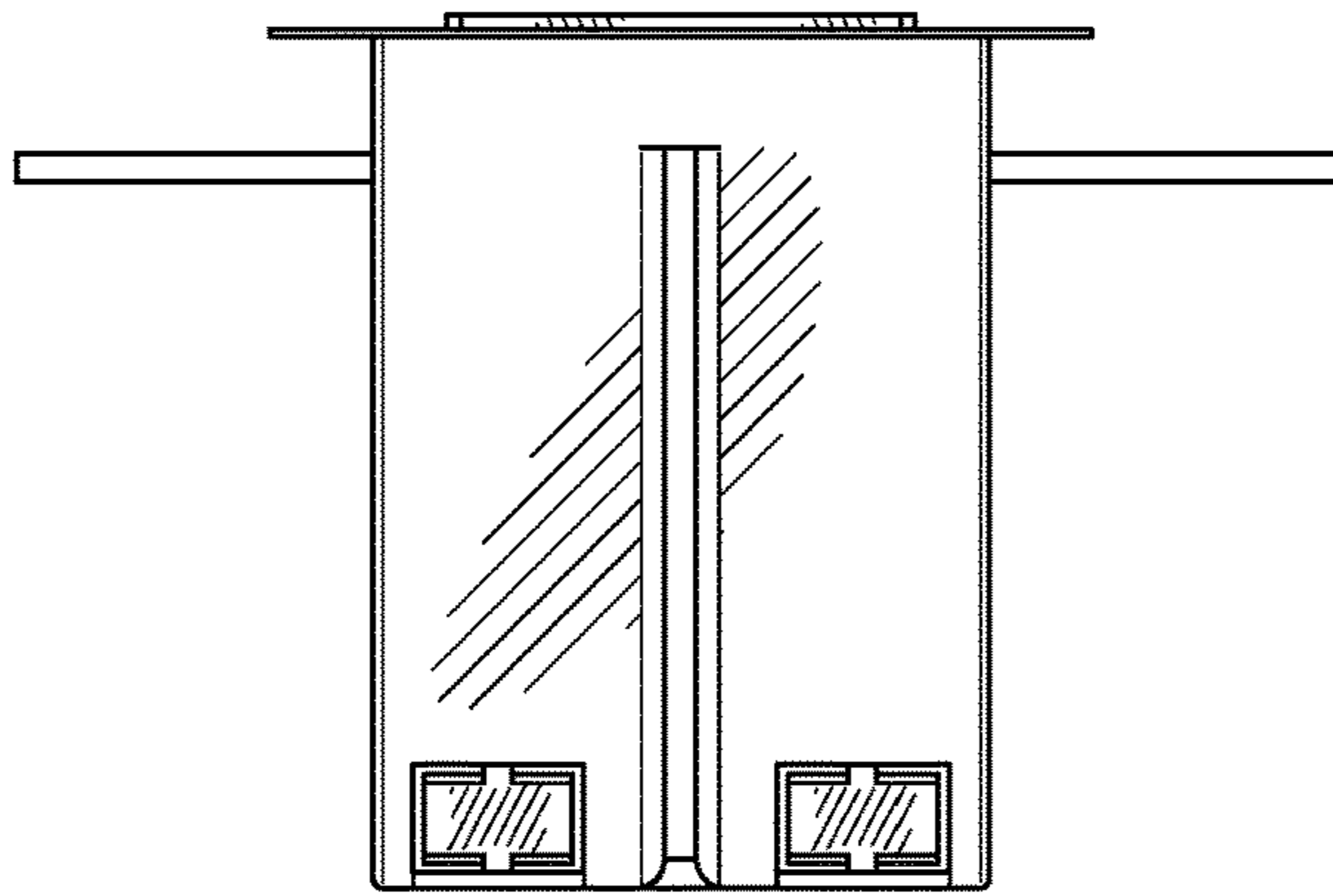


FIG .3

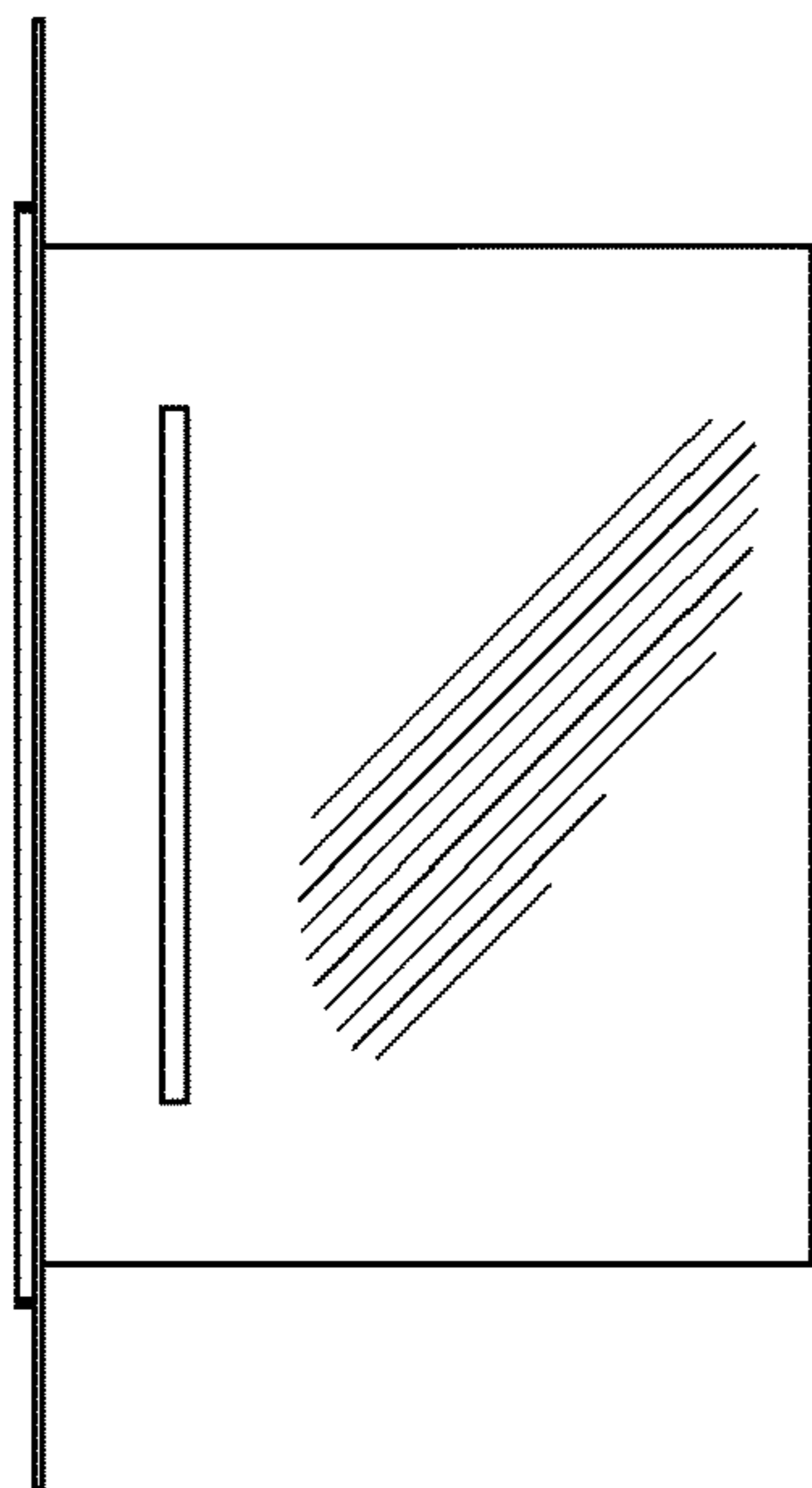


FIG .4

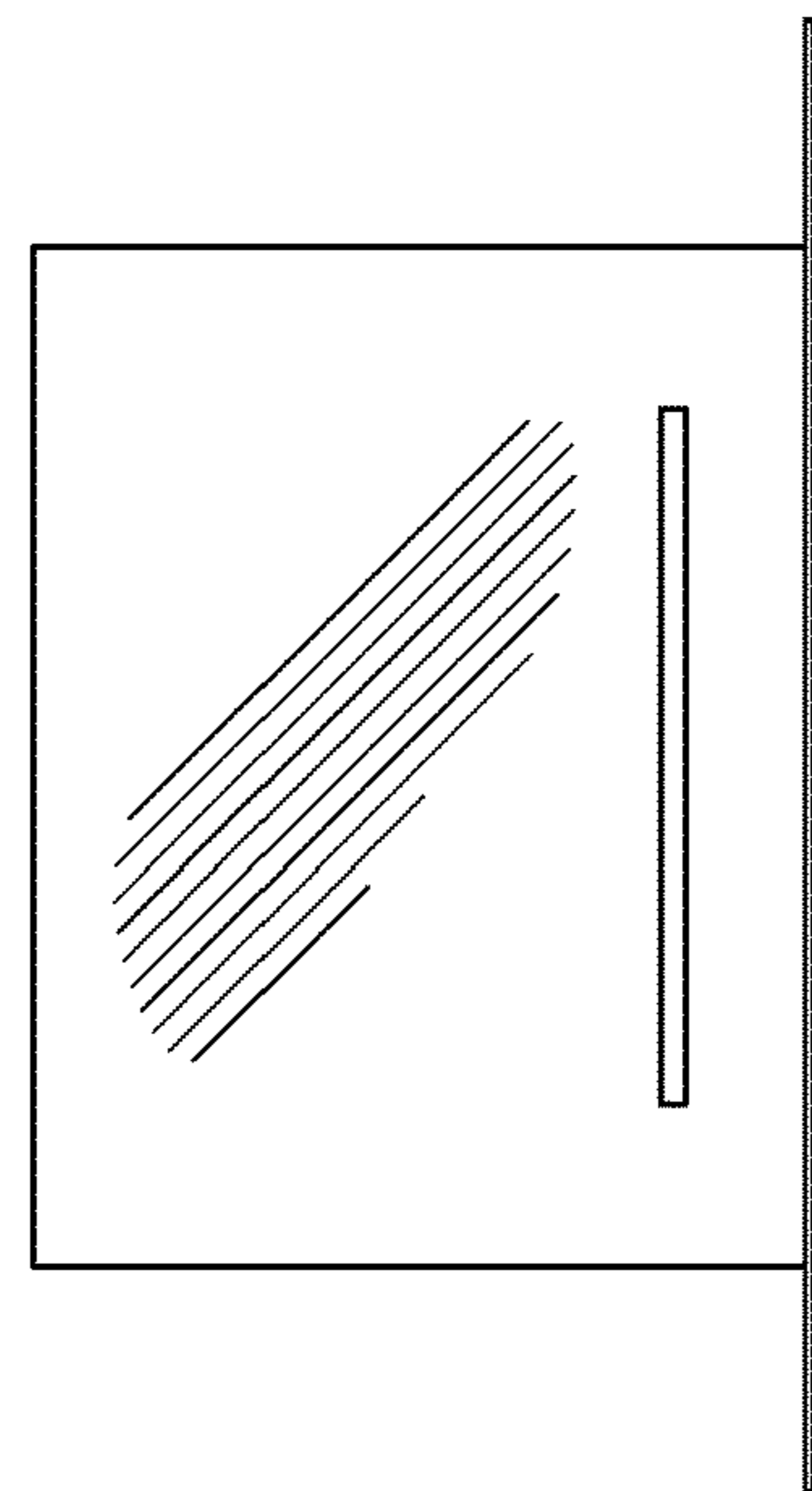


FIG .5

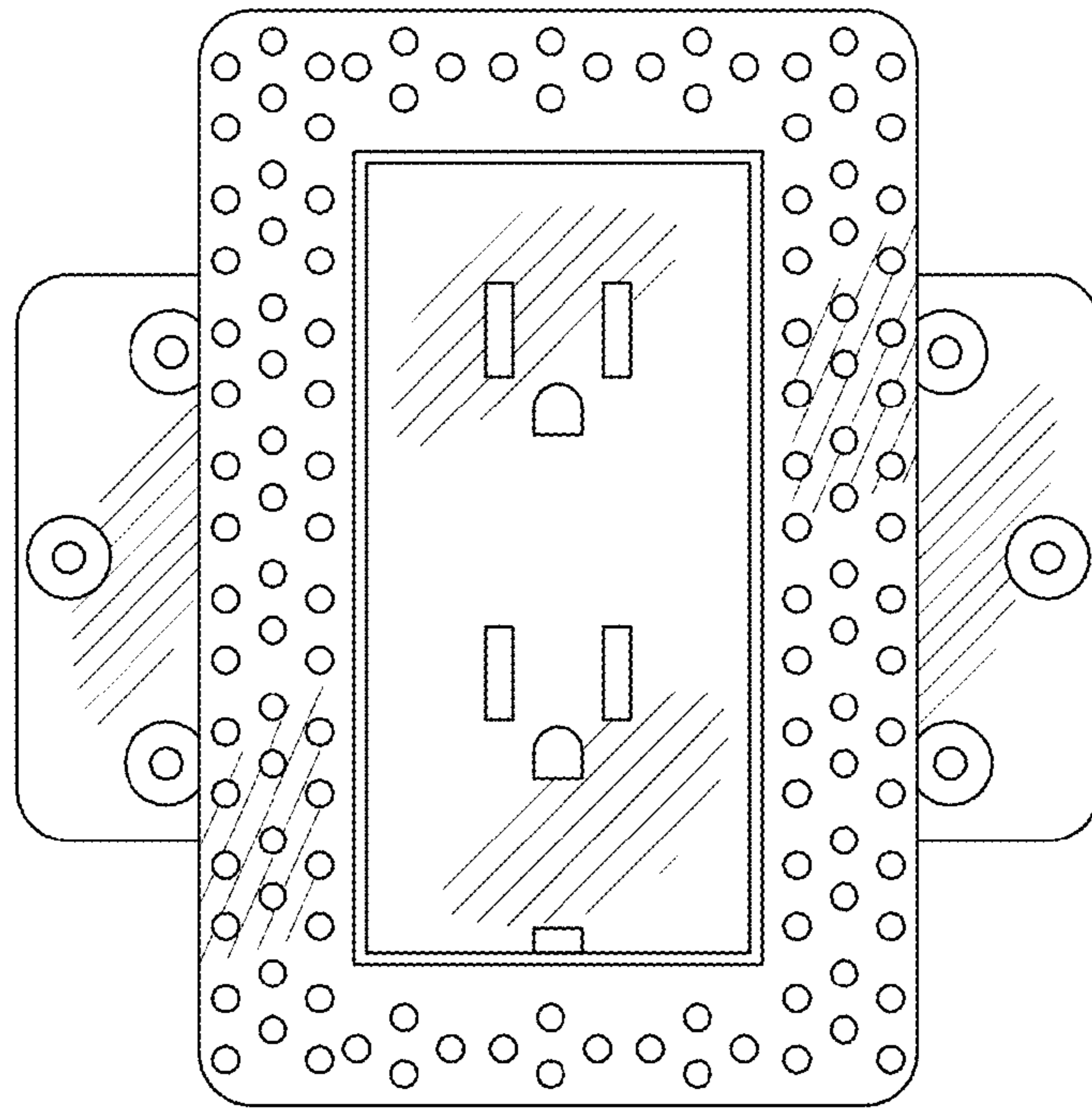


FIG .6

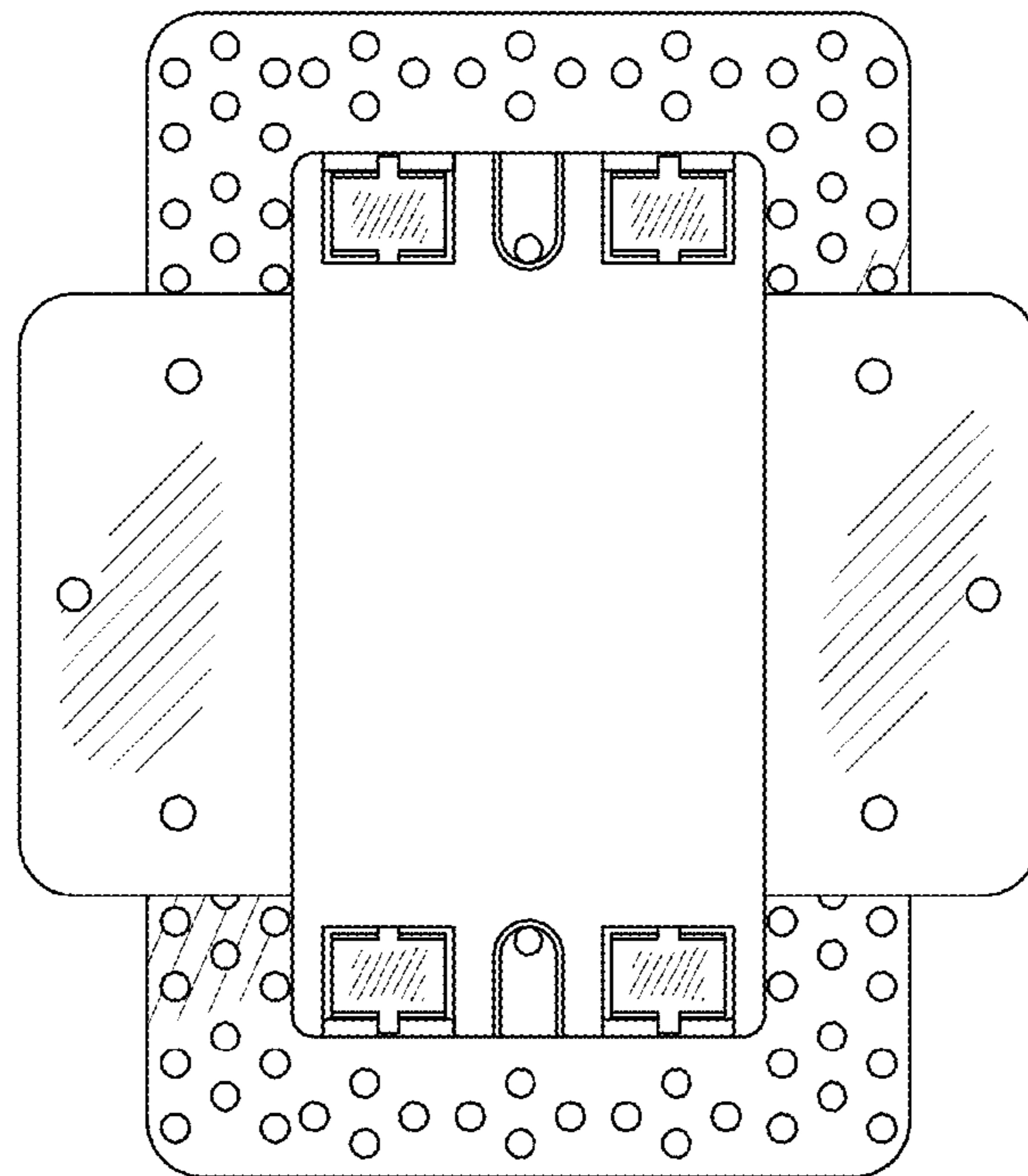


FIG .7