



US00D933019S

(12) **United States Design Patent** (10) **Patent No.:** **US D933,019 S**
Guthmiller (45) **Date of Patent:** **** Oct. 12, 2021**

(54) **MUD RING**

(71) Applicant: **Marty Guthmiller**, Cave Creek, AZ
(US)

(72) Inventor: **Marty Guthmiller**, Cave Creek, AZ
(US)

(**) Term: **15 Years**

(21) Appl. No.: **29/687,661**

(22) Filed: **Apr. 15, 2019**

(51) **LOC (13) Cl.** **13-03**

(52) **U.S. Cl.**
USPC **D13/152**

(58) **Field of Classification Search**
USPC D13/123, 126, 152, 156, 173, 177, 184
CPC H02G 3/08; H02G 3/081; H02G 3/12;
H02G 3/14; H02G 3/123; H02G 3/126
See application file for complete search history.

(56) **References Cited**

U.S. PATENT DOCUMENTS

3,386,071	A	5/1968	Jimmie	
3,580,987	A	5/1971	Priaroggia	
4,890,418	A	1/1990	Sachs	
4,927,039	A *	5/1990	McNab	H02G 3/125
				174/57
D343,825	S *	2/1994	Enderby	D13/152
5,363,269	A	11/1994	McDonald	
5,833,110	A	11/1998	Chandler et al.	
6,106,328	A	8/2000	O'Neal	

(Continued)

OTHER PUBLICATIONS

“Zip Box Blue Switch and Outlet Boxes,” Catalog, Carlon, Jun. 2006, Last Accessed Mar. 5, 2019, Available at http://www.carlonsales.com/techinfo/brochures/electrical/Zip%20Boxes_2B1.pdf.

(Continued)

Primary Examiner — Selina Sikder

(74) *Attorney, Agent, or Firm* — Law Offices of Lisa & Lesko, LLC; Justin Lesko, Esq.

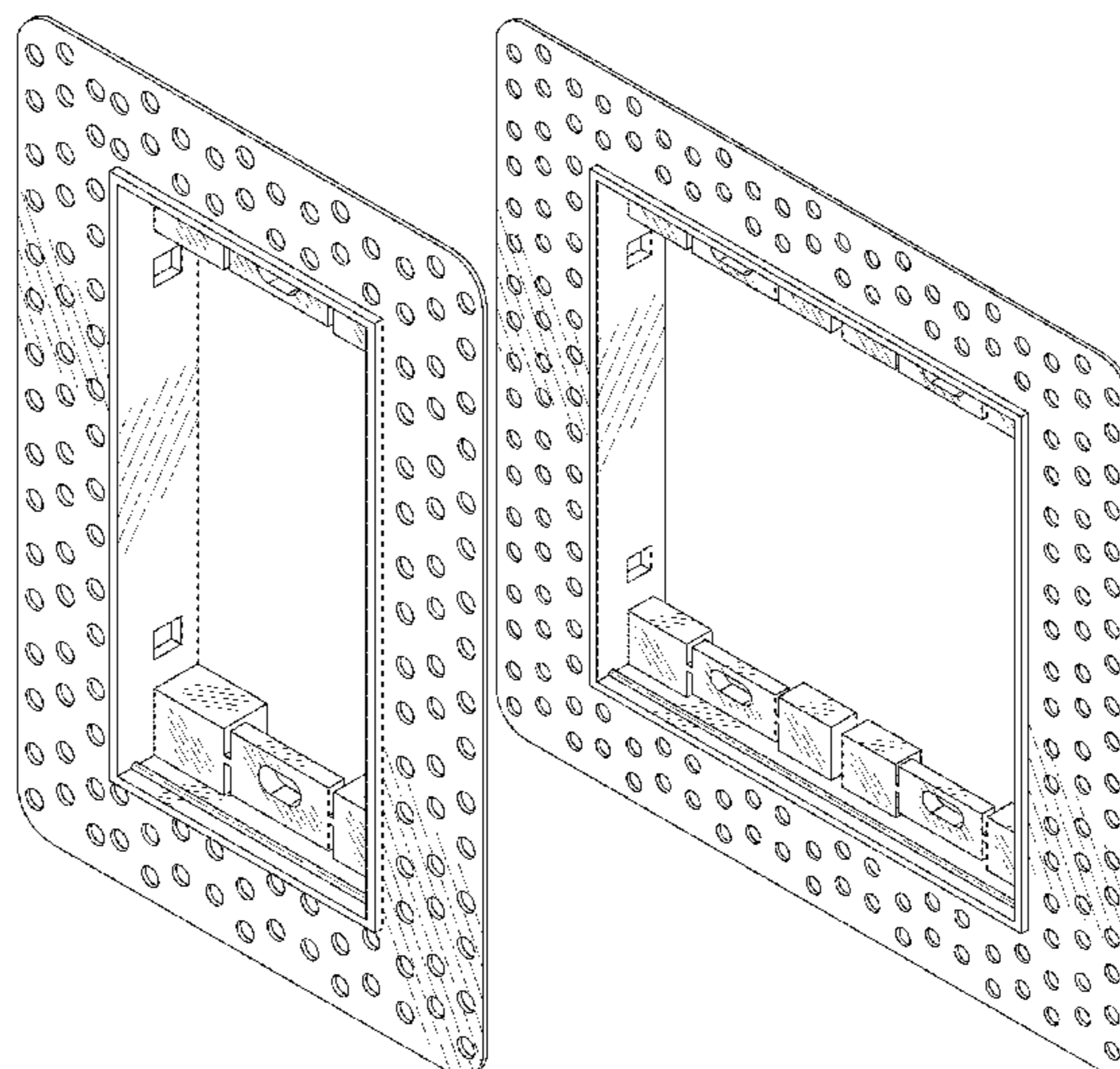
(57) **CLAIM**

I claim the ornamental design for a mud ring, substantially as shown and described.

DESCRIPTION

FIG. 1 is a front perspective view of the mud ring.
 FIG. 2 is top view of FIG. 1.
 FIG. 3 is a bottom view of FIG. 1.
 FIG. 4 is a left side view of FIG. 1.
 FIG. 5 is a right side view of FIG. 1.
 FIG. 6 is a front view of FIG. 1.
 FIG. 7 is a back view of FIG. 1.
 FIG. 8 is a front perspective view of a second embodiment of the mud ring.
 FIG. 9 is a top view of FIG. 8.
 FIG. 10 is a bottom view of FIG. 8.
 FIG. 11 is a left side view of FIG. 8.
 FIG. 12 is a right side view of FIG. 8.
 FIG. 13 is a front view of FIG. 8.
 FIG. 14 is a back view of FIG. 8.
 FIG. 15 is a front perspective view of a third embodiment of the mud ring.
 FIG. 16 is a top view of FIG. 15.
 FIG. 17 is a bottom view of FIG. 15.
 FIG. 18 is a left side view of FIG. 15.
 FIG. 19 is a right side view of FIG. 15.
 FIG. 20 is a front view of FIG. 15.
 FIG. 21 is a back view of FIG. 15.
 FIG. 22 is a front perspective view of a fourth embodiment of the mud ring.
 FIG. 23 is a top view of FIG. 22.
 FIG. 24 is a bottom view of FIG. 22.
 FIG. 25 is a left view of FIG. 22.
 FIG. 26 is a right view of FIG. 22.
 FIG. 27 is a front view of FIG. 22; and,
 FIG. 28 is a back view of FIG. 22.

1 Claim, 12 Drawing Sheets



(56)

References Cited

U.S. PATENT DOCUMENTS

6,215,066	B1	4/2001	Kelso et al.	
6,229,087	B1	5/2001	Archer	
6,450,232	B1	9/2002	Smythe, Jr.	
D467,229	S *	12/2002	Heggem	D13/152
D478,553	S *	8/2003	Heggem	D13/152
6,649,835	B2	11/2003	Gillera	
6,654,471	B1	11/2003	Varga	
6,674,003	B1	1/2004	Torres	
6,695,181	B1	2/2004	Kreitzer et al.	
6,906,260	B2 *	6/2005	Grendahl	H02G 3/12 174/58
6,909,050	B1	6/2005	Bradford	
7,087,837	B1	8/2006	Gretz	
7,098,399	B1	8/2006	Gretz et al.	
7,109,419	B1 *	9/2006	Gretz	H02G 3/12 174/66
7,166,801	B1	1/2007	Gretz	
7,319,192	B1 *	1/2008	Gretz	H02G 3/123 174/50
7,479,598	B1 *	1/2009	Shotey	H02G 3/14 174/135
7,622,675	B2	11/2009	Sutter	
7,674,974	B1	3/2010	Shotey et al.	
7,732,715	B2 *	6/2010	Paolucci	H01R 24/76 174/481
7,789,257	B2	9/2010	Davis	
7,956,295	B2	6/2011	Arbel	
8,013,243	B2	9/2011	Korcz et al.	
8,076,577	B2	12/2011	Mango, Jr. et al.	
8,124,872	B2	2/2012	Vigorito et al.	
8,196,364	B2	6/2012	Moscovitch	
8,269,102	B1 *	9/2012	Baldwin	H02G 3/123 174/50
8,344,249	B1 *	1/2013	Baldwin	H02G 3/123 174/50
D684,935	S *	6/2013	DeCosta	D13/152
8,723,037	B1	5/2014	Matsumoto	
8,835,763	B1	9/2014	Hammond	
8,933,331	B1	1/2015	Gretz	
9,024,186	B1 *	5/2015	Gonzalez	H02G 3/14 174/66
9,039,831	B2	5/2015	Trudeau	
9,069,028	B2	6/2015	Ebner et al.	
9,101,051	B1	8/2015	Ferrara et al.	
9,148,004	B1	9/2015	Solomon	
D774,467	S *	12/2016	Maccarone	D13/152
9,526,154	B2	12/2016	Thompson	
9,608,420	B1	3/2017	Ferrara	
9,777,478	B1	10/2017	Hulka et al.	
D811,348	S *	2/2018	Cueller	D13/152
D838,250	S *	1/2019	Smith	D13/156
D886,746	S *	6/2020	Anadasu	D13/158
10,855,066	B2 *	12/2020	Elliott	H02G 3/123
D918,844	S *	5/2021	Wang	D13/152
2009/0249705	A1	10/2009	Struthers et al.	
2011/0314759	A1	12/2011	McCullough	
2014/0224792	A1 *	8/2014	Beneke	H02G 3/123 220/3.3
2015/0091553	A1	4/2015	Wong	
2016/0099530	A1	4/2016	Valenti et al.	
2017/0110862	A1	4/2017	Kirkland	
2017/0331265	A1	11/2017	Evilsizer	
2018/0076616	A1	3/2018	Thrush et al.	
2020/0220341	A1 *	7/2020	Hughey	H02G 3/12
2020/0328583	A1 *	10/2020	Guthmiller	H02G 3/123

OTHER PUBLICATIONS

“Raco Steel Boxes, Covers and Accessories,” Catalog, Hubbell, 2014, [A6], [A53-A54], Last Accessed Mar. 5, 2019, Available at <https://hubbellcdn.com/ohwassets/HCI/RACO/Catalog/steelboxescoversaccessories.pdf>.

“Switch & Outlet Boxes—Technical Data,” Catalog, Cooper Industries (EATON), 2015. Last Accessed Mar. 5, 2019, Available at <http://www.cooperindustries.com/content/dam/public/crousehinds/commercial-products/catalog-pdfs/cp-catalog-outlet-box-section.pdf>.

“Steel City Metallic Boxes and Covers,” Catalog, Thomas & Betts, 2013, Last Accessed Mar. 5, 2019, Available at http://www.lawoolley.com/pdf/steel_city_boxes.pdf.

“Catalogue, Section B—Decora Devices,” Catalog, Leviton, Date Unknown, [12-19], Last Accessed Mar. 9, 2019, Available at https://stevenengineering.com/tech_support/PDFs/74L101B.pdf.

“Industrial Specification Grade 15 Amp and 20 Amp Duplex Receptacles,” Catalog, Leviton, 1995, Last Accessed Mar. 5, 2019, Available at http://stevenengineering.com/Tech_Support/PFFs/74INDREC.pdf.

“Commercial grade straight blade duplex receptacles,” Catalog, Cooper Industries, Feb. 2018, Last Accessed Mar. 6, 2019, Available at http://www.cooperindustries.com/content/dam/public/wiringdevices/products/documents/spec_sheets2/commerical_grade_receptacles_spec_sheet.pdf.

“Arrow Hart hospital grade self-test GFCI receptacles,” Catalog, Cooper Industries, Apr. 2018 Last Accessed Mar. 6, 2019, Available at http://www.cooperindustries.com/content/dam/public/wiringdevices/products/documents/spec_sheets2/hospital_grade_gfci_specsheet.pdf.

“Section X,” Catalog, Hubbell, Date Unknown, Last Accessed Mar. 6, 2019, Available at <http://ecatalog.hubbell-wiring.com/press/catalog/x.pdf>.

“Datacom Accessories Catalog,” Catalog, Structured Cable Products, Date Unknown, Last Accessed Mar. 9, 2019, Available at <https://www.spcat5e.com/catalog/scp-datacom-accessories.pdf>.

“RJ45 Connectors,” Catalog, Polamco, 2010, Last Accessed Mar. 6, 2019, Available at <http://www.farnell.com/datasheets/1581551.pdf>.

“EZ-RJ45 Connector,” Catalog, Leviton, 2003, Last Accessed Mar. 6, 2019, Available at <https://www.accu-tech.com/hs-fs/hub/54495/file-17725291-pdf/docs/specs/47613-ezc.pdf>.

“High Voltage Wire and Cable General Specifications,” Data Sheet, RI, Date Unknown, Last Accessed Mar. 6, 2019, Available at <http://www.comcraft.co.jp/products/teledynereynolds/data/multi-cables.pdf>.

“Building Wire,” Catalog, General Cable, Oct. 2012, Last Accessed Mar. 6, 2019, Available at http://www.aainy.com/pdf/building_wire.pdf.

“USG Sheetrock Brand Gypsum Panels,” Submittal Sheet, USG, Jun. 2017, Last Accessed Mar. 5, 2019, Available at https://www.usg.com/content/dam/USG_Marketing_Communications/united_states/product_promotional_materials/finished_assets/sheetrock-gypsum-panels-regular-firecode-cores-submittal-WB1473.pdf.

“Durasan Prefinished Gypsum Board,” Catalog, Gold Bond, Jul. 2018, Last Accessed Mar. 5, 2019, Available at <https://nationalgypsum.com/File/09%2072%2000-34.pdf>.

“USG Sheetrock Brand Installation and Finishing Guide,” Manual, USG, Sep. 2015, Last Accessed Mar. 5, 2019, Available at https://www.usg.com/content/dam/USG_Marketing_Communications/united_states/product_promotional_materials/finished_assets/sheetrock-gypsum-panels-installation-guide-en-J371.pdf.

“DensShield Tile Backer Technical Guide,” Manual, Georgia-Pacific, Feb. 2018, Last Accessed Mar. 5, 2019, Available at <https://cache5.buildup.com/wp-content/uploads/2018/11/DensShield-Tile-Backer-Technical-Guide.pdf>.

“Dricore Smartwall Detailed Installation,” Manual, Dricore, Date Unknown, Last Accessed Mar. 5, 2019, Available at: http://www.dricore.com/nw/PDF/Detailed_Installation_Guide_web-2.pdf?_ga=2.2754935.698343861.1551842844-1360570901.1551842844.

Taylor, Glenda, “How to: Mud Drywall,” Article, BobVila, Date Unknown, Last Accessed Mar. 8, 2019, Available at <https://www.bobvila.com/articles/how-to-mud-drywall/>.

“Hot to Hand Drywall and Mud” Article, diy Network, Date Unknown, Last Accessed Mar. 8, 2019, Available at <https://www.diynetwork.com/how-to/rooms-and-spaces/walls-and-ceilings/how-to-hang-drywall-and-mud>.

“How to Hang Drywall” Article, Lowe’s, Date Unknown, Last accessed Mar. 8, 2019, Available at <https://www.lowes.com/projects/build-and-remodel/how-to-hang-drywall/project>.

(56)

References Cited

OTHER PUBLICATIONS

“Proform Brand All Purpose Joint Compound,” Catalog, National Gypsum, Feb. 2019, Last Accessed Mar. 5, 2019, Available at <https://www.nationalgypsum.com/File/09%2029%2000-43.pdf>.

“USG Sheetrock Brand All Purpose Joint Compound,” Submittal Sheet, USG, Oct. 2016, Last Accessed Mar. 5, 2019, Available at http://pdf.lowes.com/operatingguides/081099203602_oper.pdf.

“DAP Phenopatch Premium Lightweight Joint Compound with Drydex Dry Time Indicator Technology,” Bulletin, Phenopatch, Nov. 2013, Last Accessed Mar. 5, 2019, Available at <http://www.phenopatch.com/docs/tdb/9.pdf>.

“Drywall Screw, Bugle Head, Cross Recessed Drive, Pierce Point, Coarse Thread, Yellow Zinc,” Catalog, Fastenal, Oct. 2018, Last Accessed Mar. 6, 2019, Available at https://www.fastenal.com/content/product_specifications/DRWL.BHPH.PP.COR.YZ.pdf.

“Wallplate Buying Guide,” Catalog, Leviton, 2015, Last Accessed Mar. 8, 2019, Available at <https://images.homedepot-static.com/catalog/pdfImages/56/566b87e5-ea5a-4976-a9d2-9fb99b7d8680.pdf>.

“2016 Arrow Hart Buyers Guide, Sect10n K,” Catalog, Eaton, 2016, Last Accessed Mar. 8, 2019, Available at <http://www.cooperindustries.com/content/dam/public/wiringdevices/BuyersGuides/AHBG/K/AHBG-K-Sec.pdf>.

“Installation Guide,” Manual, TRUFIG, Dec. 2016, [5-7], Last Accessed Mar. 8, 2019, Available at https://static1.squarespace.com/static/56746411e647ad126efd0b08/t/5841f4d09f7456bcf344653b/1480717524900/TRUFIG+Install+Guide_12-02-16.pdf.

TRUFIG Sales Brochure, TRUFIG, 2013, Last Accessed Mar. 8, 2019, Available at https://static1.squarespace.com/static/56746411c647ad126efd0b08/t/57b1fdd9f5e231d16e9f2a4f/1471282658946/Trufig_Brochure.pdf.

“Retail Price List,” Catalog, TRUFIG, Oct. 2016, Last Accessed Mar. 8, 2019, Available at https://static1.squarespace.com/static/56746411e647ad126efd0b08/t/57f5357b2e69cfc6c9816b3/1475687807191/TRUFIG+Retail+Price+List_10_4_16.pdf.

Non-Final Office Action in U.S. Appl. No. 16/848,408, (dated May 11, 2021).

Response to Non-Final Office Action in U.S. Appl. No. 16/848,408 (dated Mar. 10, 2021).

Notice of Allowance in U.S. Appl. No. 16/848,408, (dated Jun. 24, 2021).

* cited by examiner

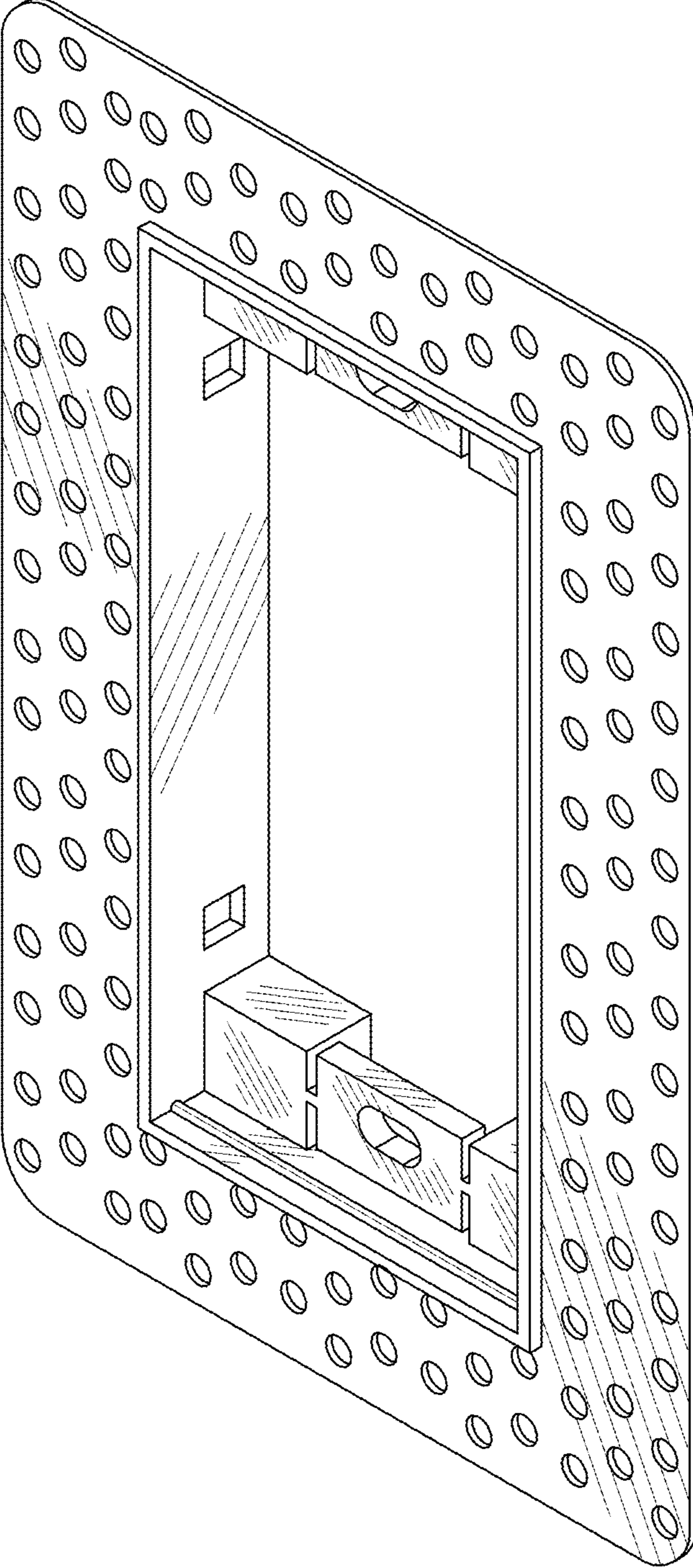


FIG .1

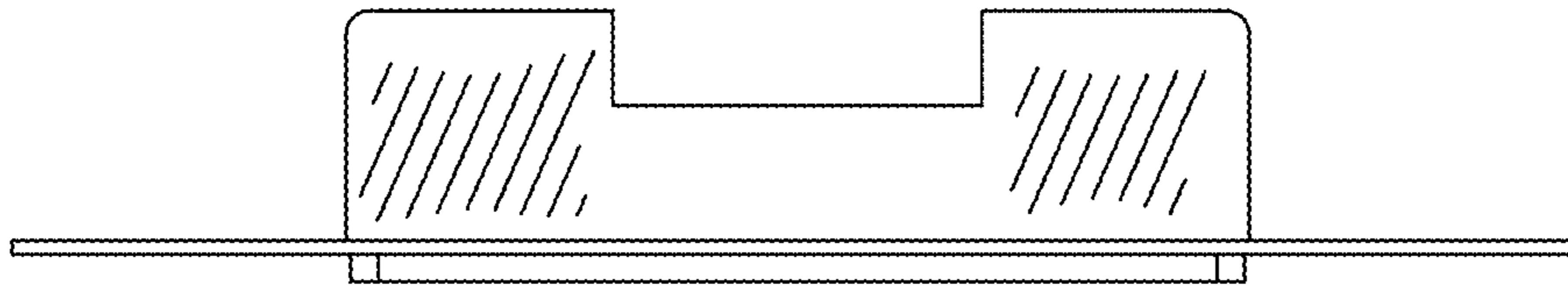


FIG .2

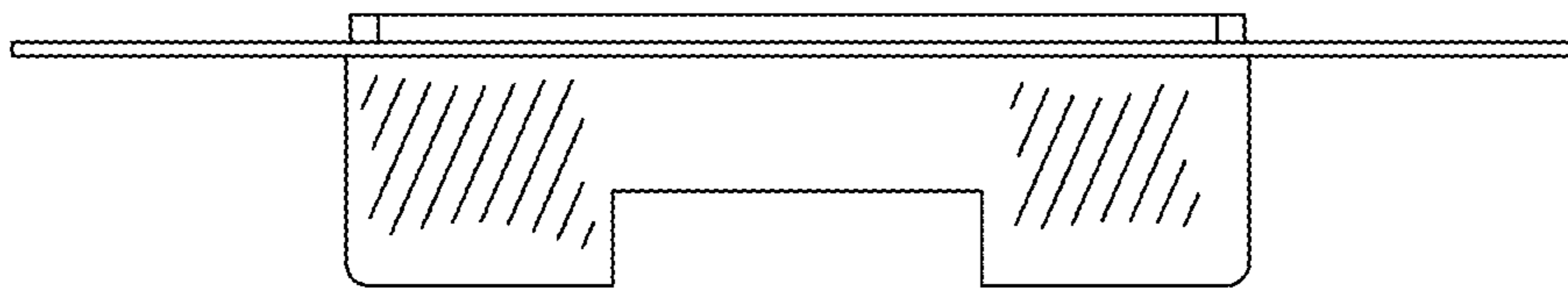


FIG .3

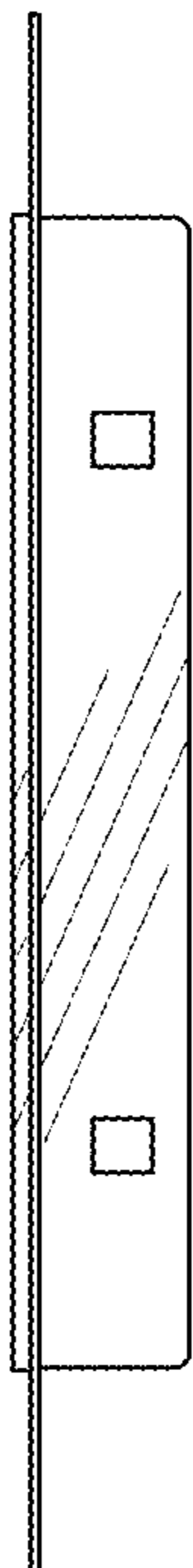


FIG .4



FIG .5

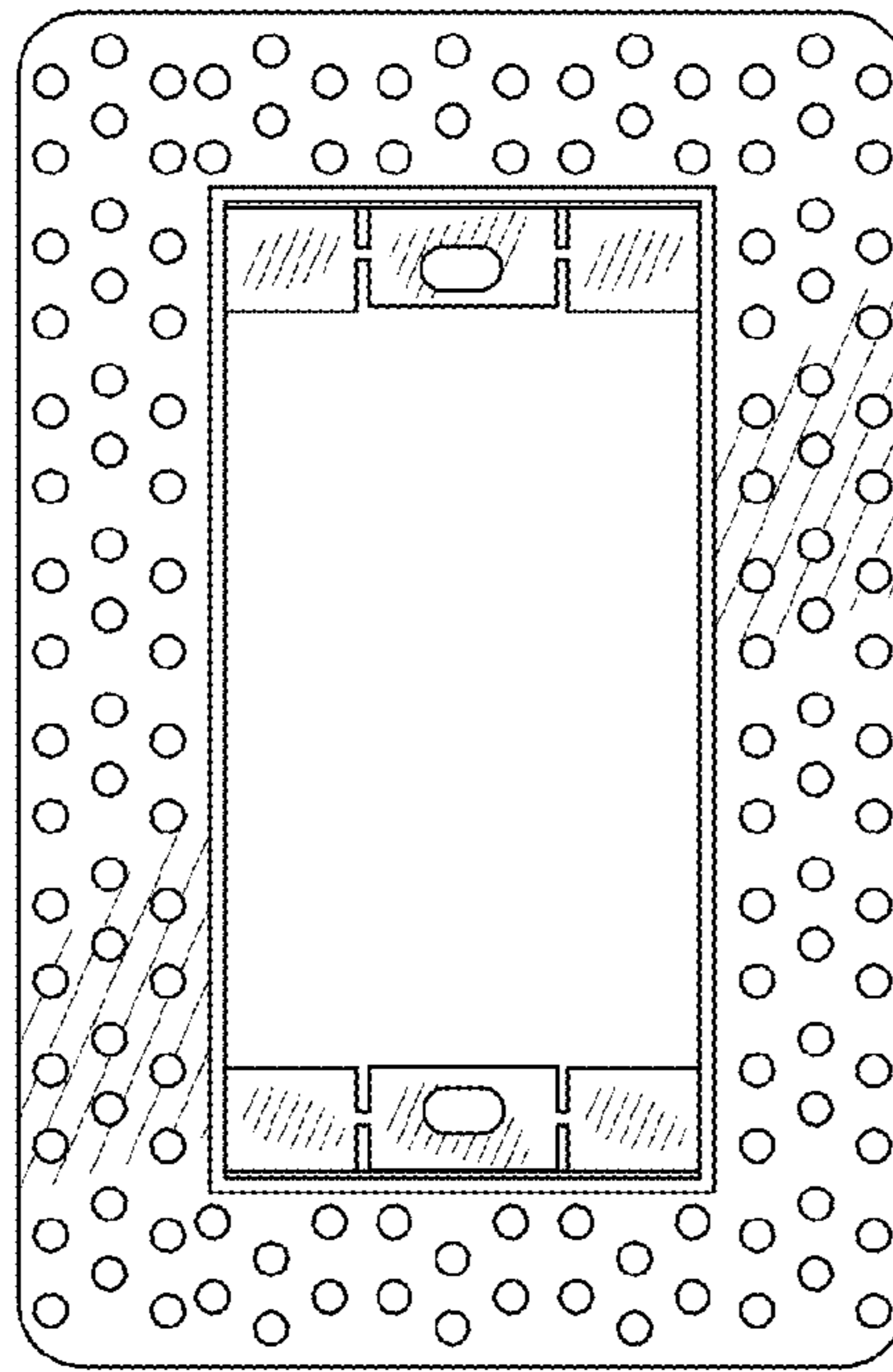


FIG .6

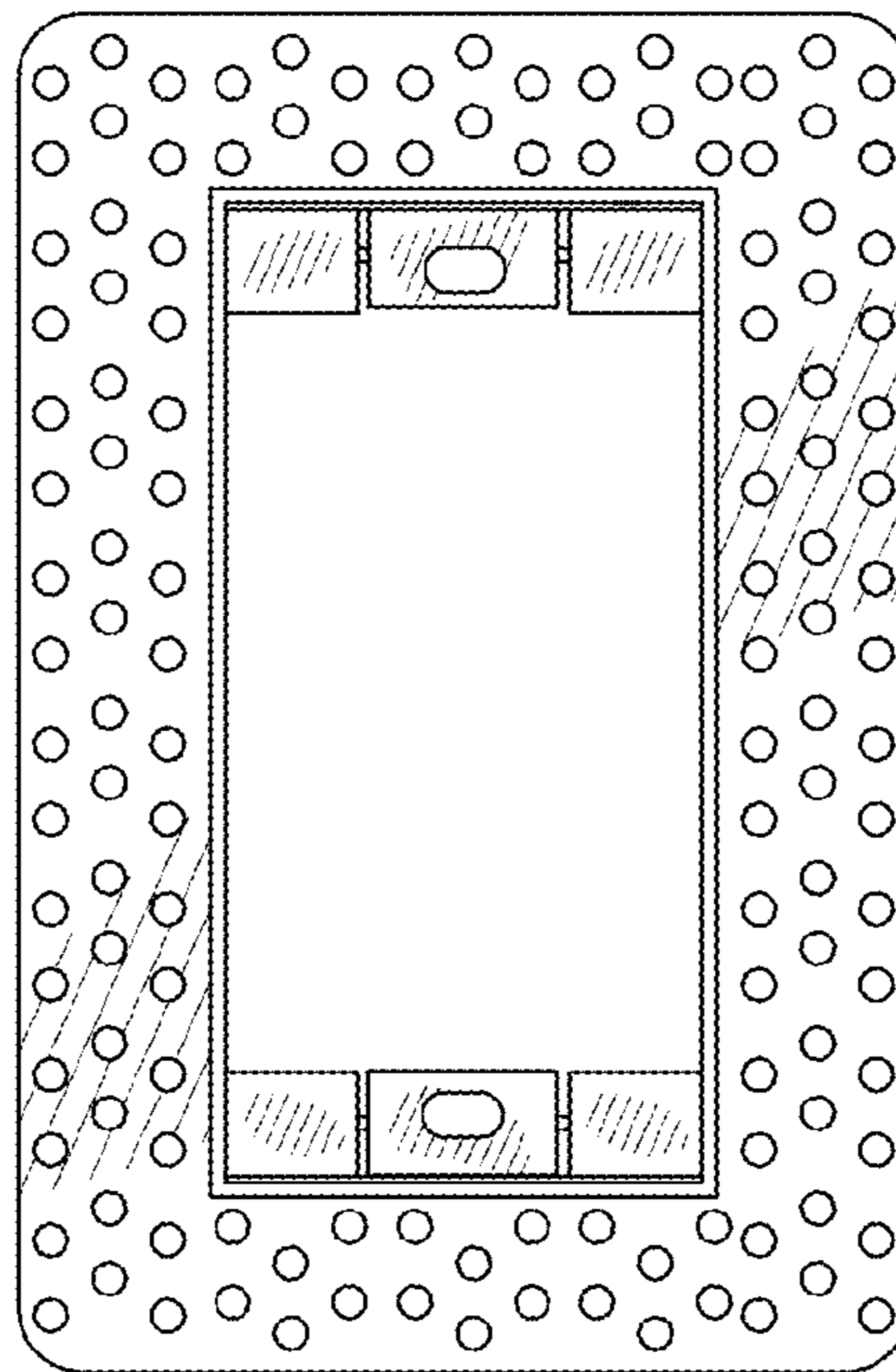


FIG .7

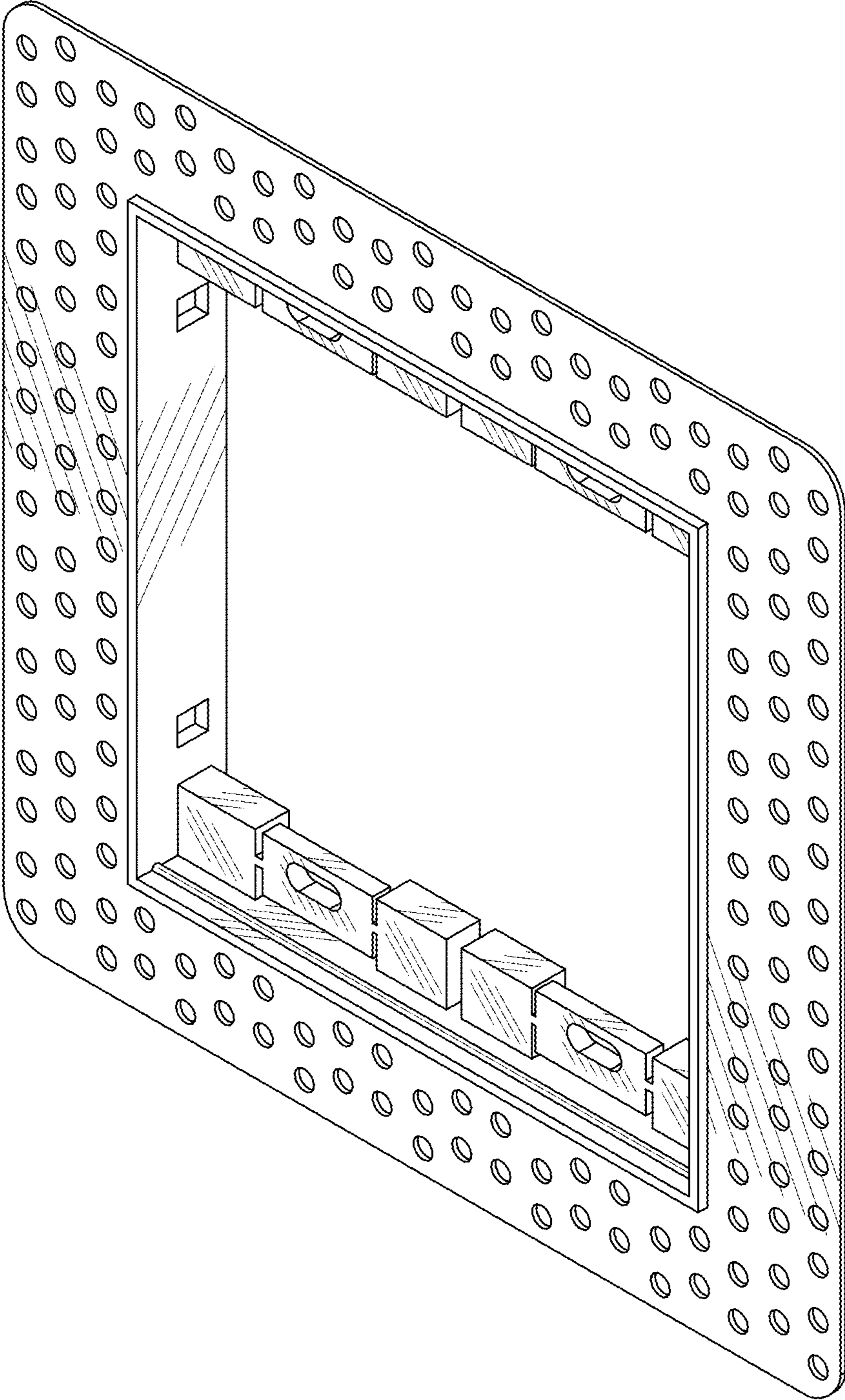


FIG .8

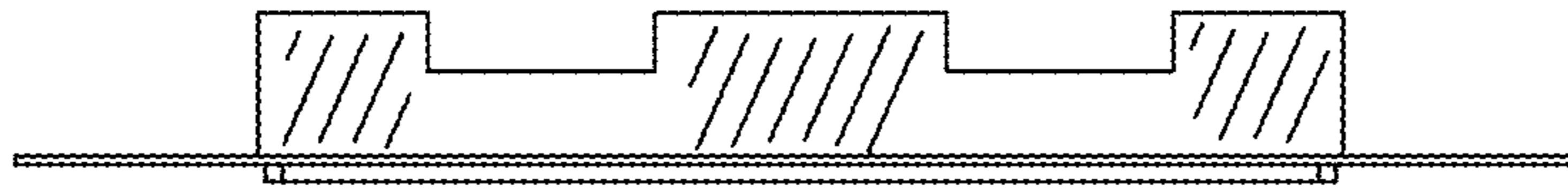


FIG .9



FIG .10

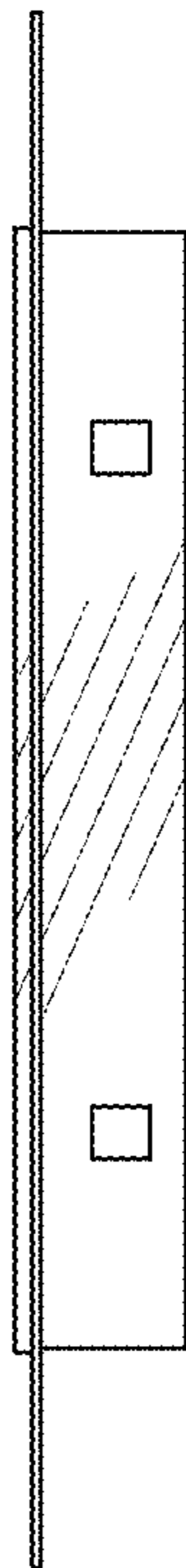


FIG .11

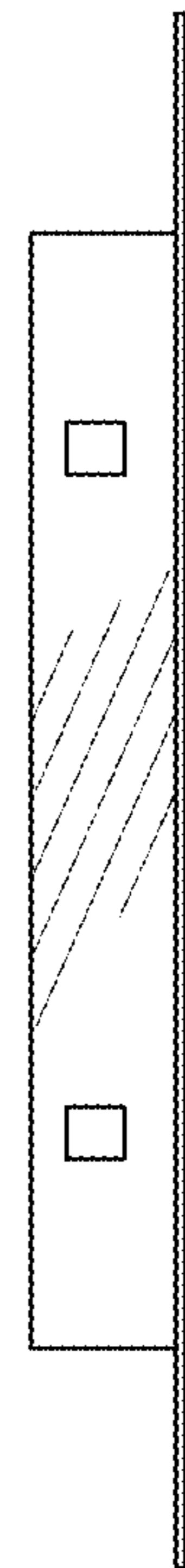


FIG .12

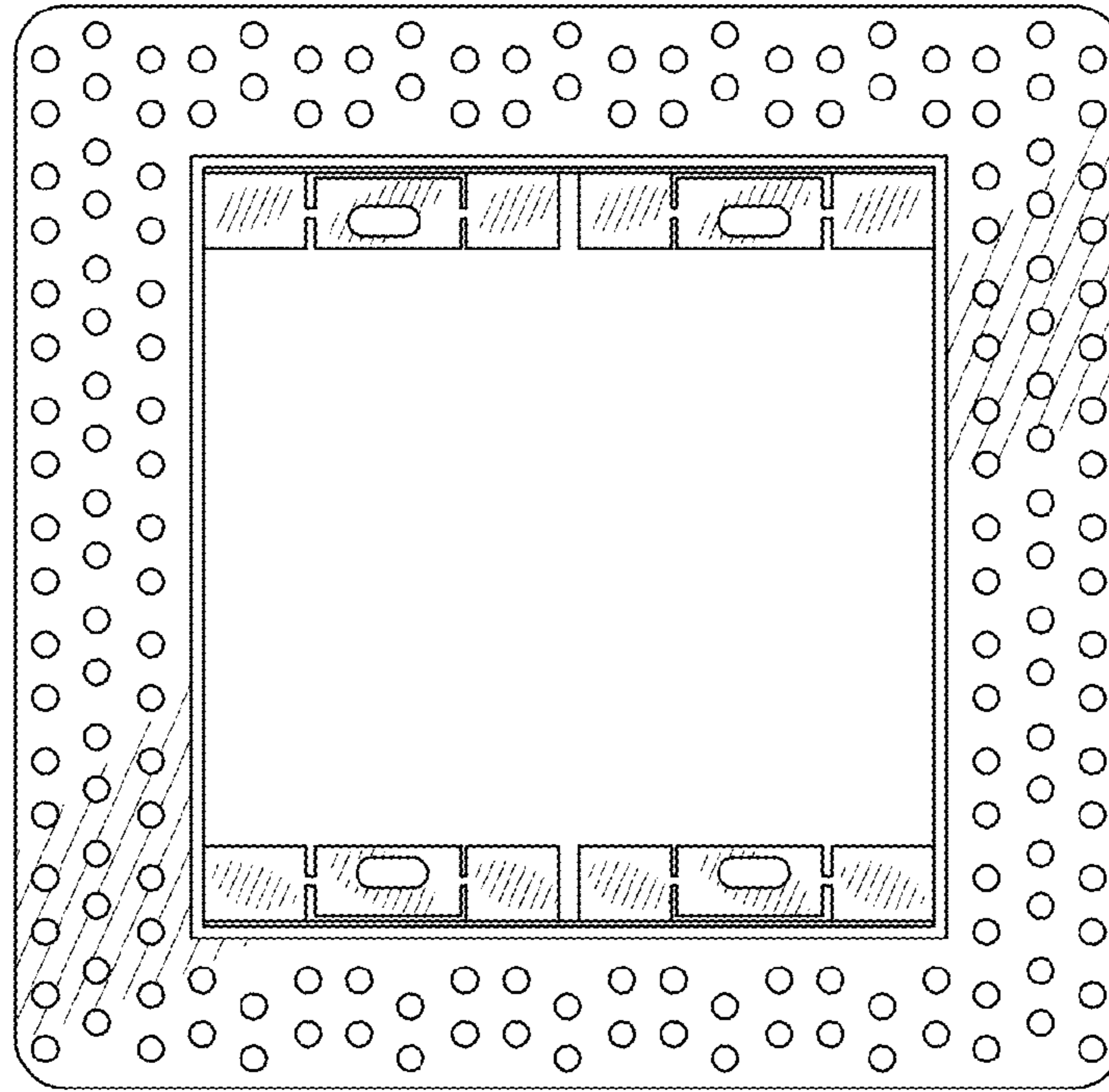


FIG .13

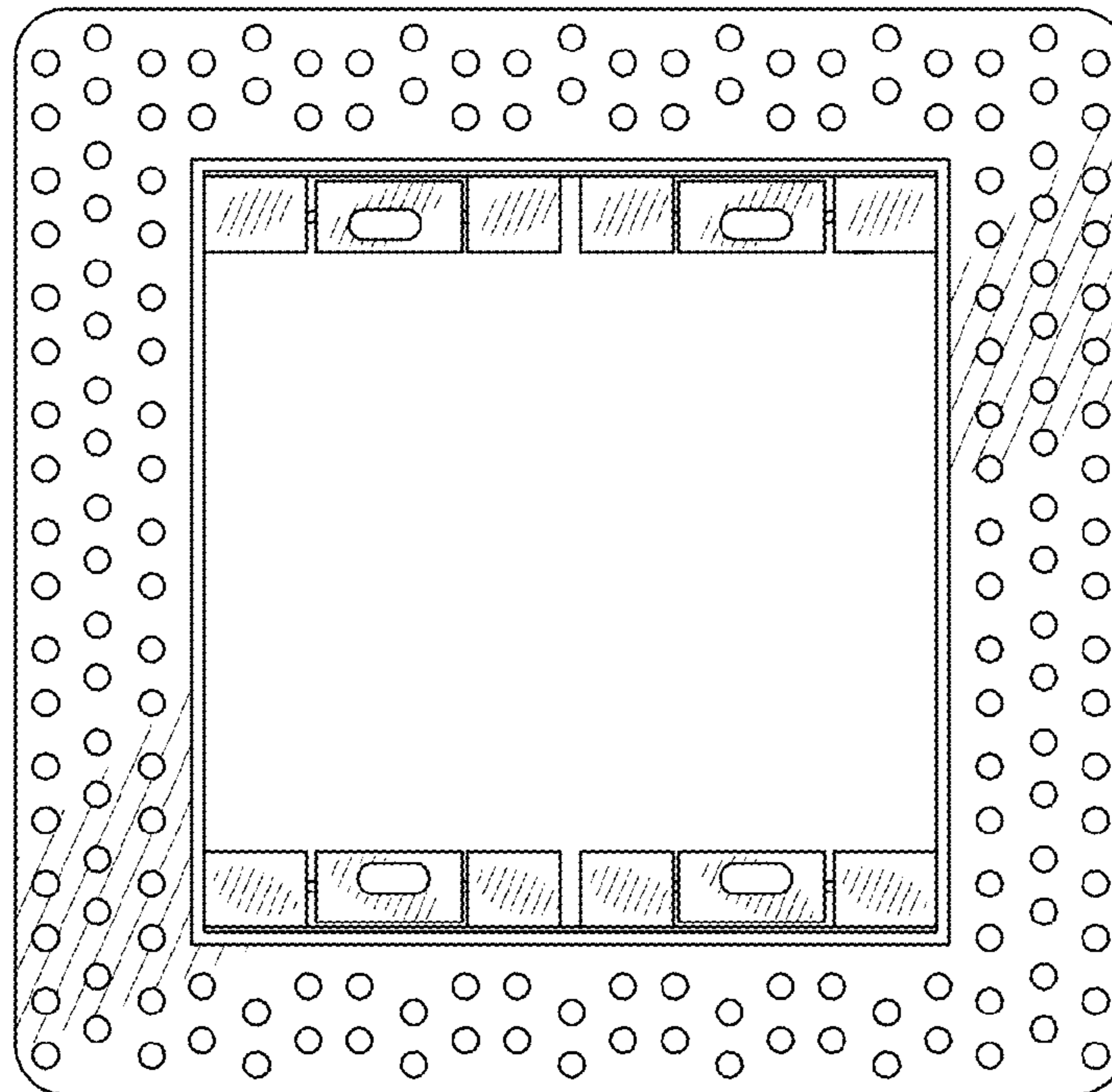


FIG .14

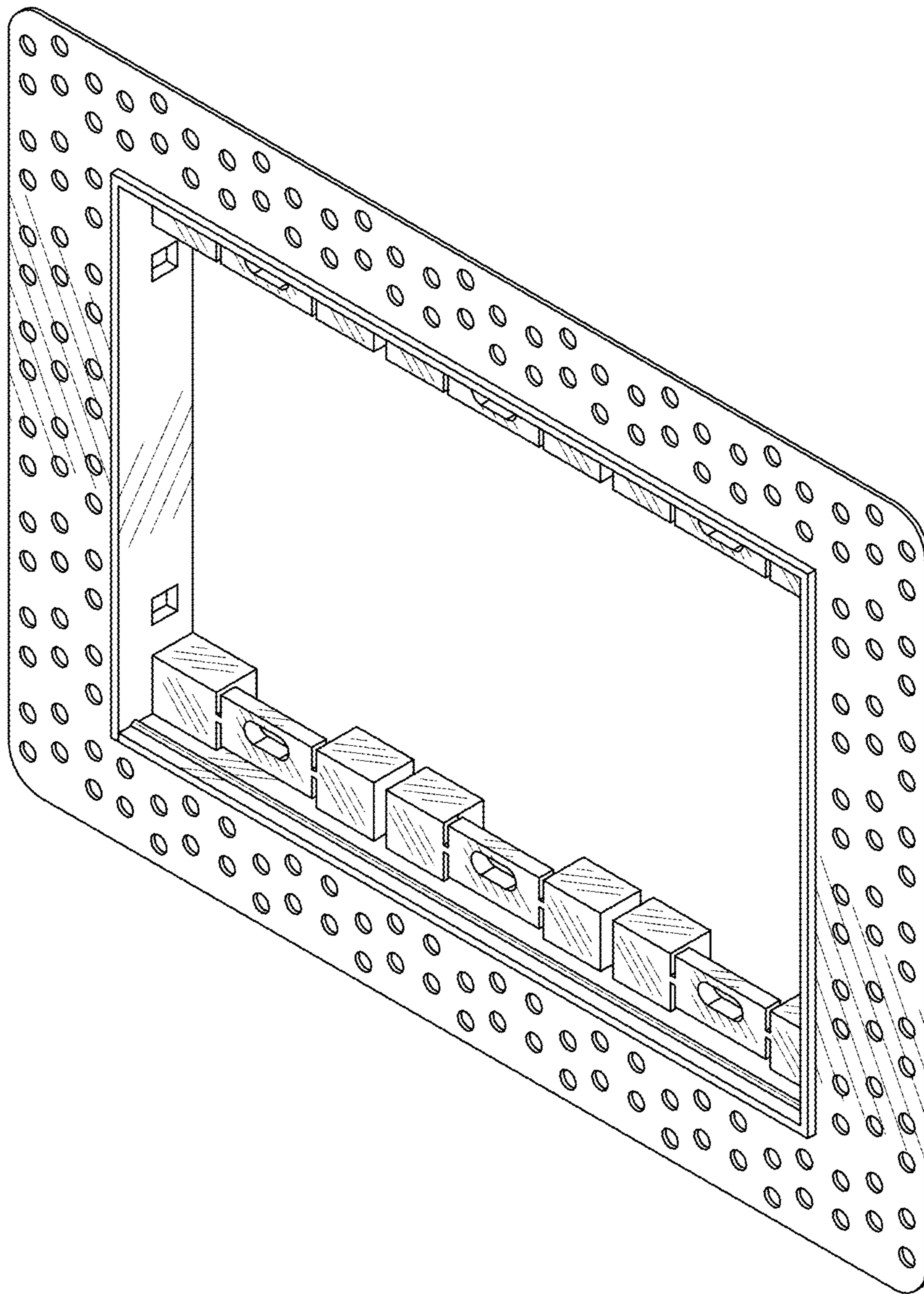


FIG .15



FIG .16



FIG .17



FIG .18

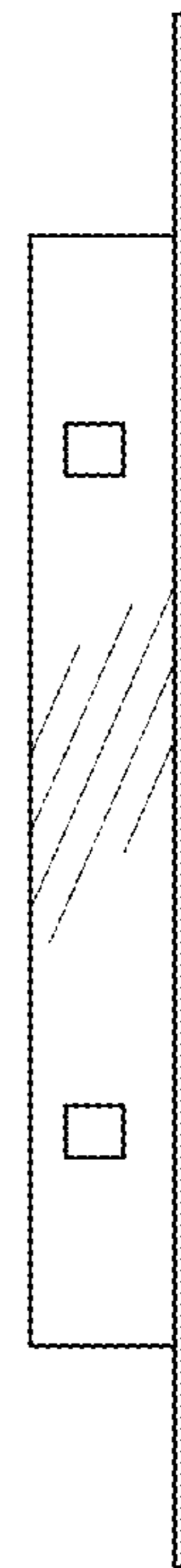


FIG .19

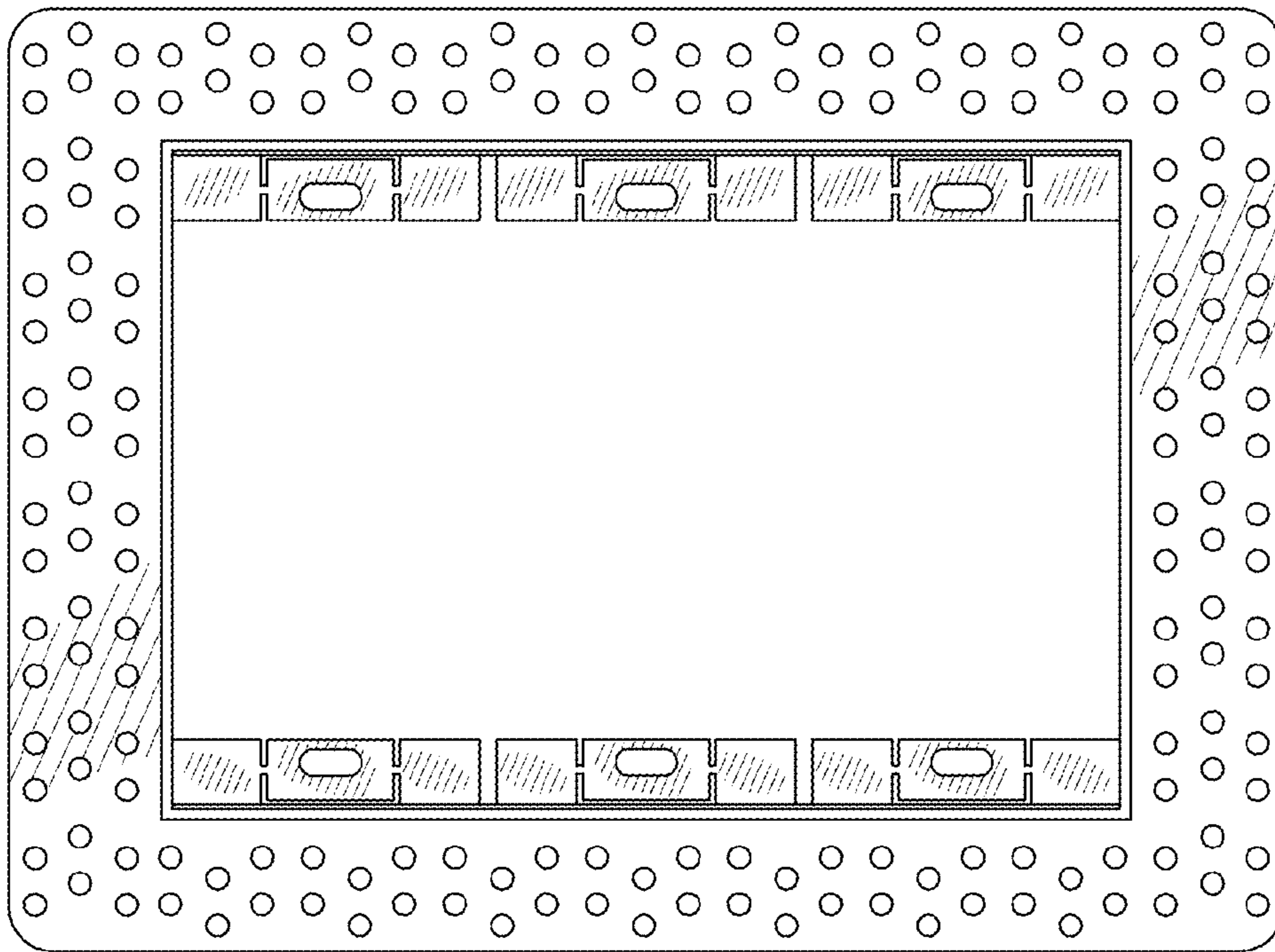


FIG .20

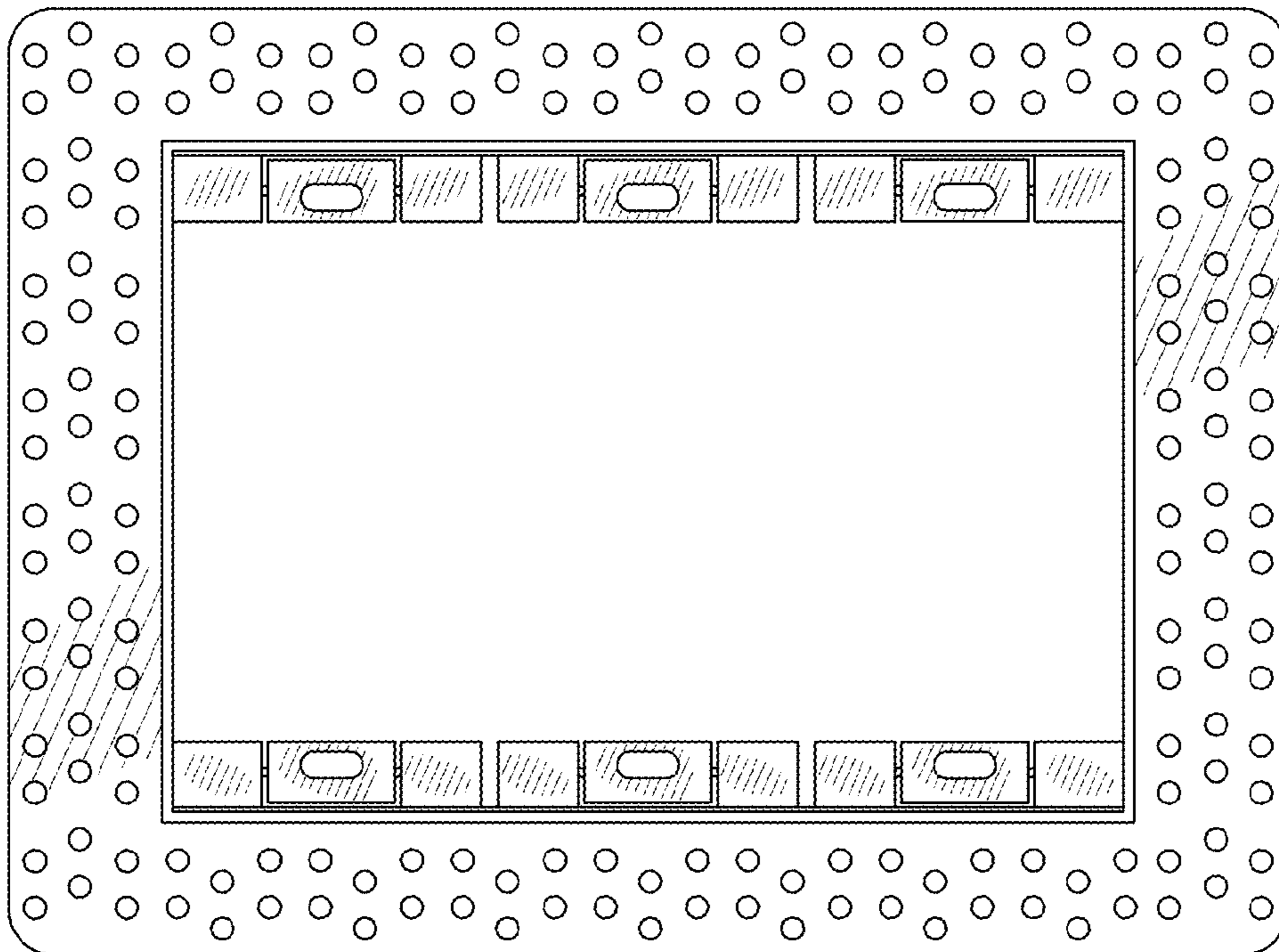


FIG .21

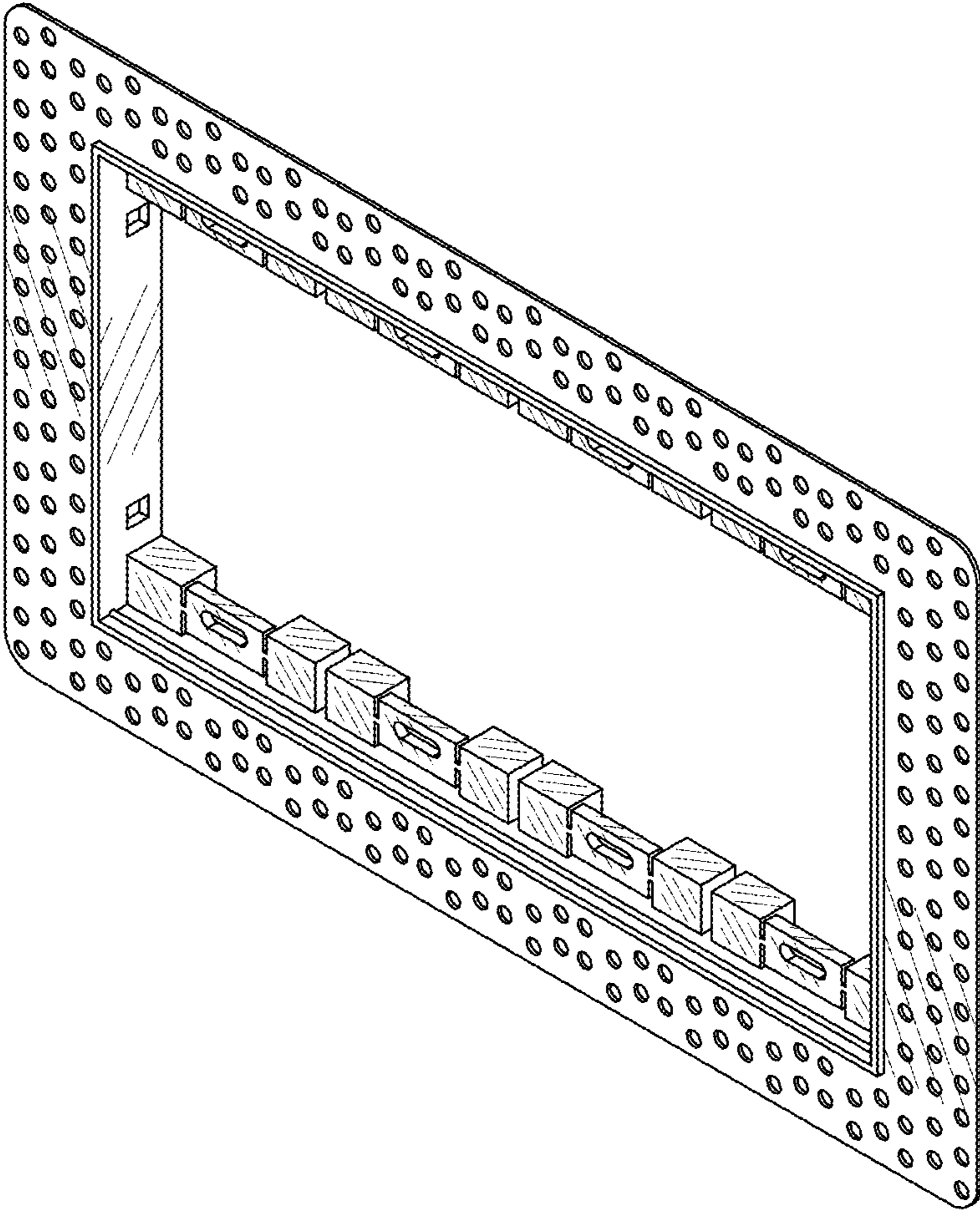


FIG .22



FIG .23

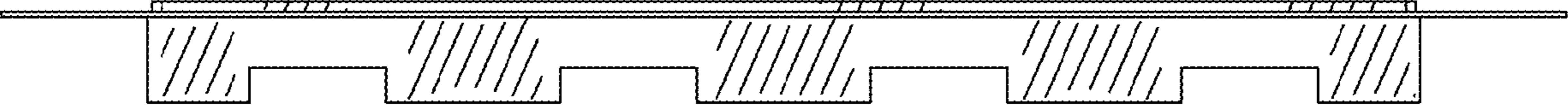


FIG .24



FIG .25

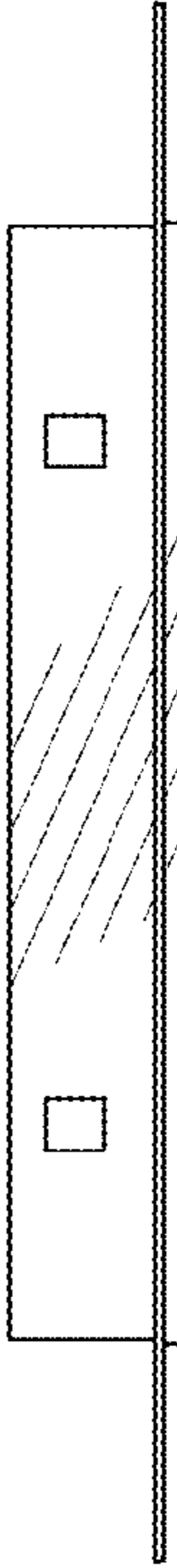


FIG .26

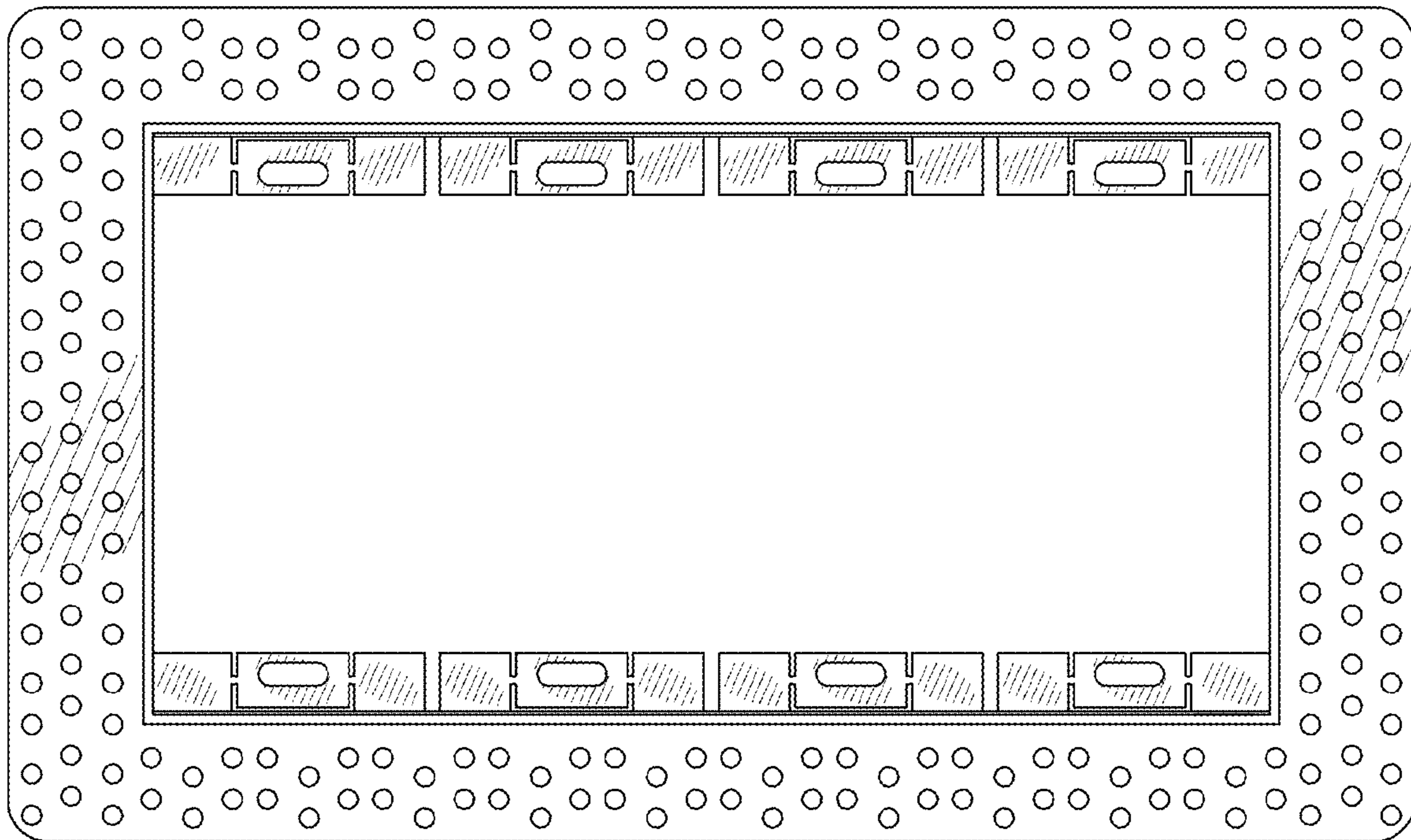


FIG .27

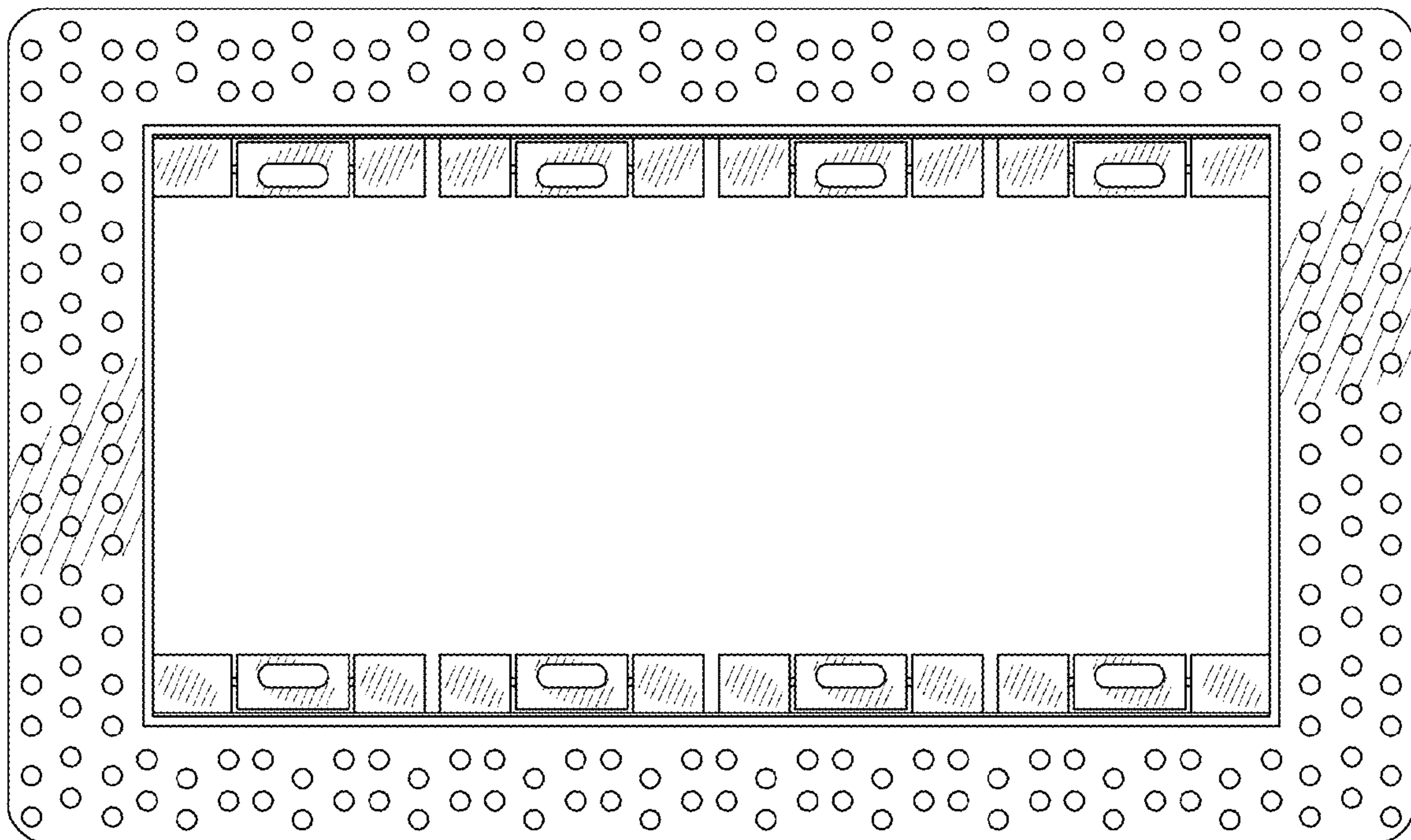


FIG .28