



US00D933012S

(12) **United States Design Patent** (10) **Patent No.:** **US D933,012 S**  
**Xu** (45) **Date of Patent:** **\*\* Oct. 12, 2021**

(54) **INVERTER**

(56) **References Cited**

(71) Applicant: **Guangdong BESTEK Medical Devices Co., Ltd.**, Shenzhen (CN)

U.S. PATENT DOCUMENTS

(72) Inventor: **Xinhua Xu**, Shenzhen (CN)

D435,242 S	*	12/2000	Yoshida	.....	D13/110
D511,746 S	*	11/2005	Lu	.....	D13/110
D529,864 S	*	10/2006	Levine	.....	D13/110
D580,355 S	*	11/2008	Hussaini	.....	D13/110
D778,834 S	*	2/2017	Holweger	.....	D13/110
D814,415 S	*	4/2018	Xiong	.....	D13/110
D841,579 S	*	2/2019	Lai	.....	D13/108
D861,603 S	*	10/2019	Zhong	.....	D13/110

(73) Assignee: **GUANGDONG BESTEK MEDICAL DEVICES CO., LTD.**, Shenzhen (CN)

(\*\*) Term: **15 Years**

\* cited by examiner

(21) Appl. No.: **29/736,283**

*Primary Examiner* — Derrick E Holland

(22) Filed: **May 29, 2020**

(57) **CLAIM**

(30) **Foreign Application Priority Data**

The ornamental design for an inverter, as shown and described.

Jan. 14, 2020 (CN) ..... 202030023557.3

**DESCRIPTION**

(51) **LOC (13) Cl.** ..... **13-02**

FIG. 1 is a perspective view of an inverter showing my new design;

(52) **U.S. Cl.**  
USPC ..... **D13/110**

FIG. 2 is another perspective view thereof;

(58) **Field of Classification Search**

FIG. 3 is a front elevational view thereof;

USPC ..... D13/110, 107, 108, 118, 123, 162, 164,  
D13/184, 199; D14/257, 432, 433, 438

FIG. 4 is a rear elevational view thereof;

CPC ..... H05K 5/00; H05K 5/02; H05K 5/0247;  
H05K 7/00; H05K 7/20; H05K 7/20136;

FIG. 5 is a left side elevational view thereof;

H05K 7/20154; H05K 7/209; H05K  
7/1417; H05K 7/1427; H05K 7/20918;

FIG. 6 is a right side elevational view thereof;

H02M 7/00; H02M 7/003; H02J 7/0042;  
H01R 25/00; H01R 27/02; H01R 13/44

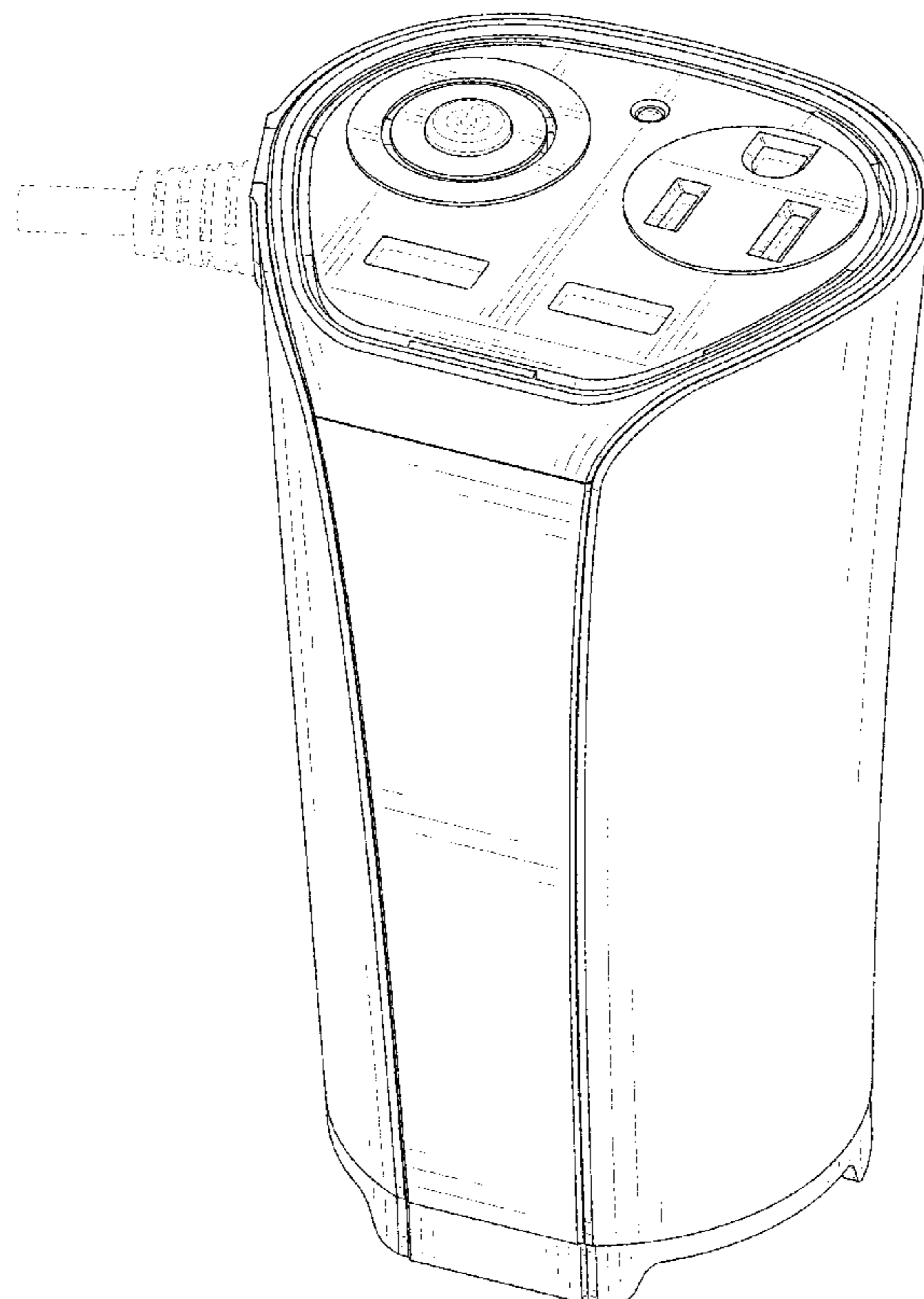
FIG. 7 is a top plan view thereof; and,

See application file for complete search history.

FIG. 8 is a bottom plan view thereof.

The broken lines in the drawings are for the purpose of illustrating portions of the inverter that form no part of the claimed design.

**1 Claim, 8 Drawing Sheets**



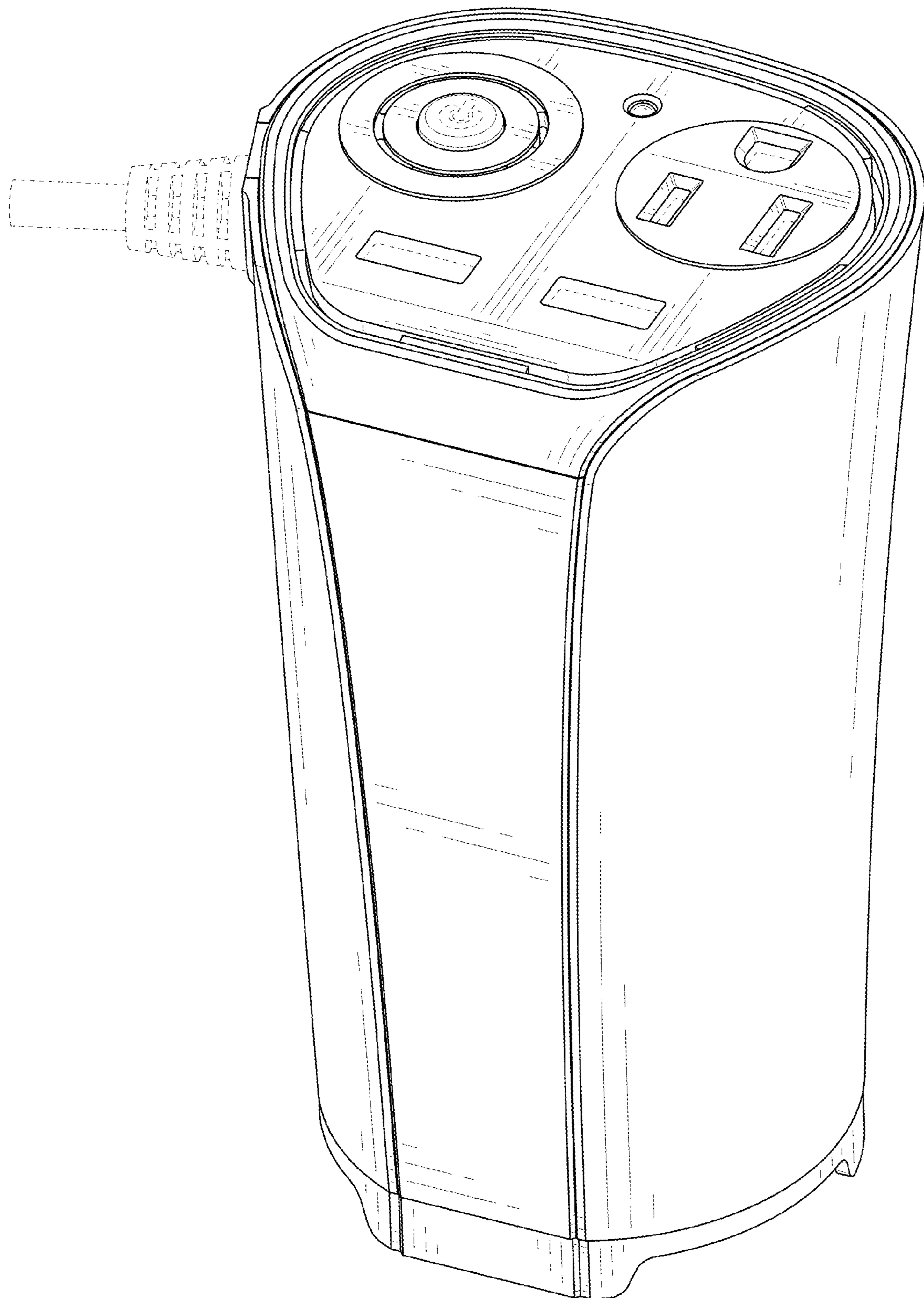


FIG. 1

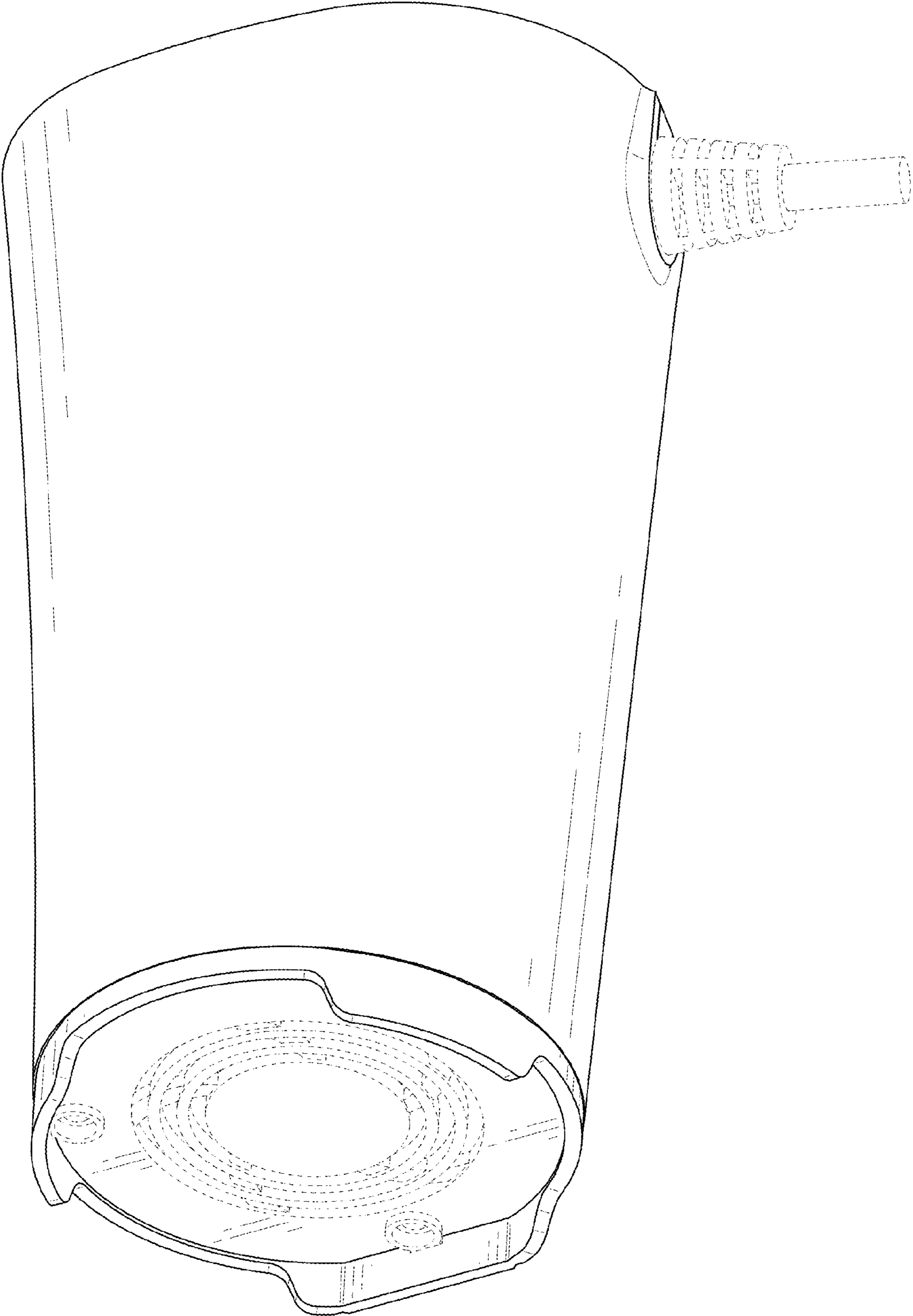


FIG. 2



FIG. 3

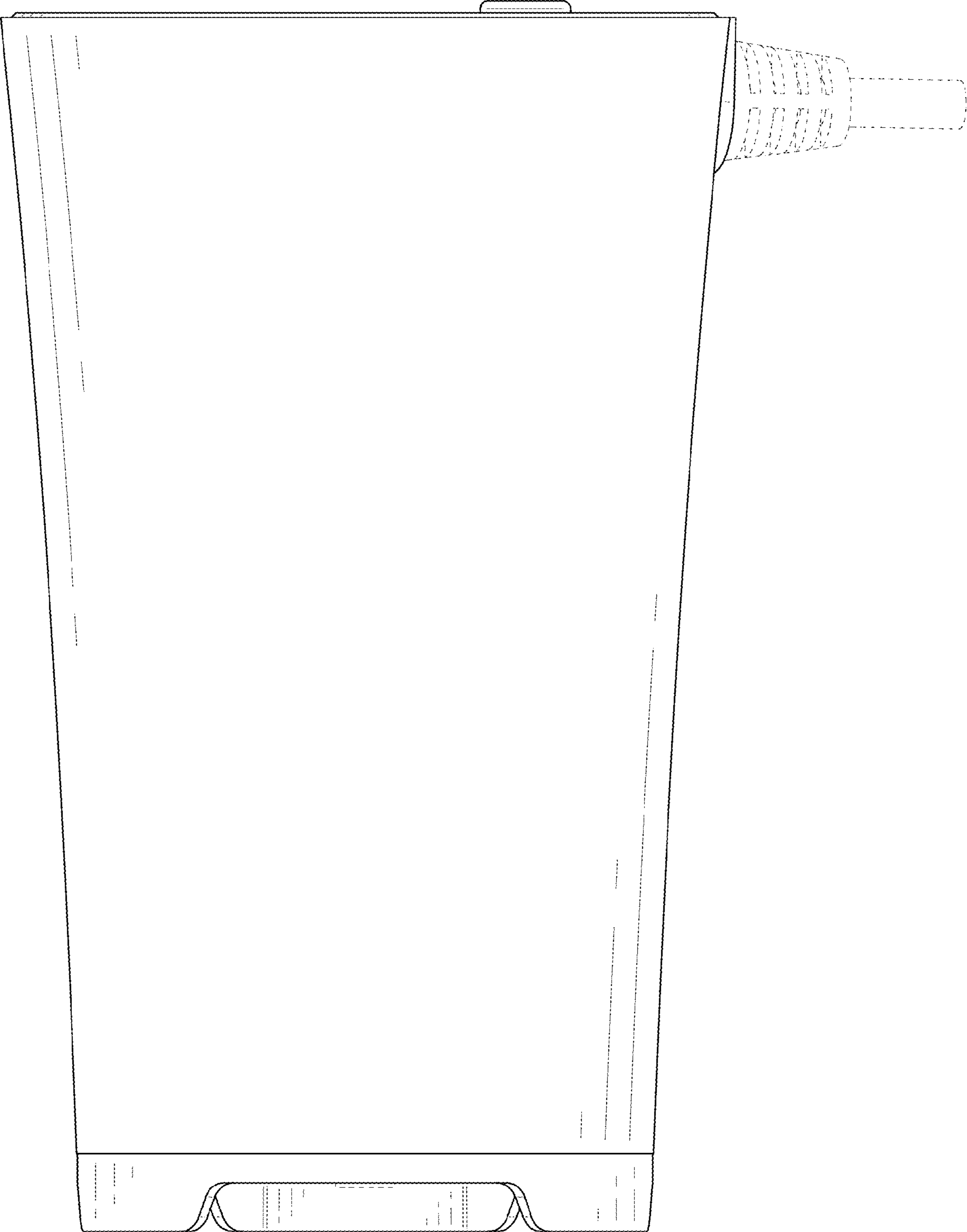


FIG. 4

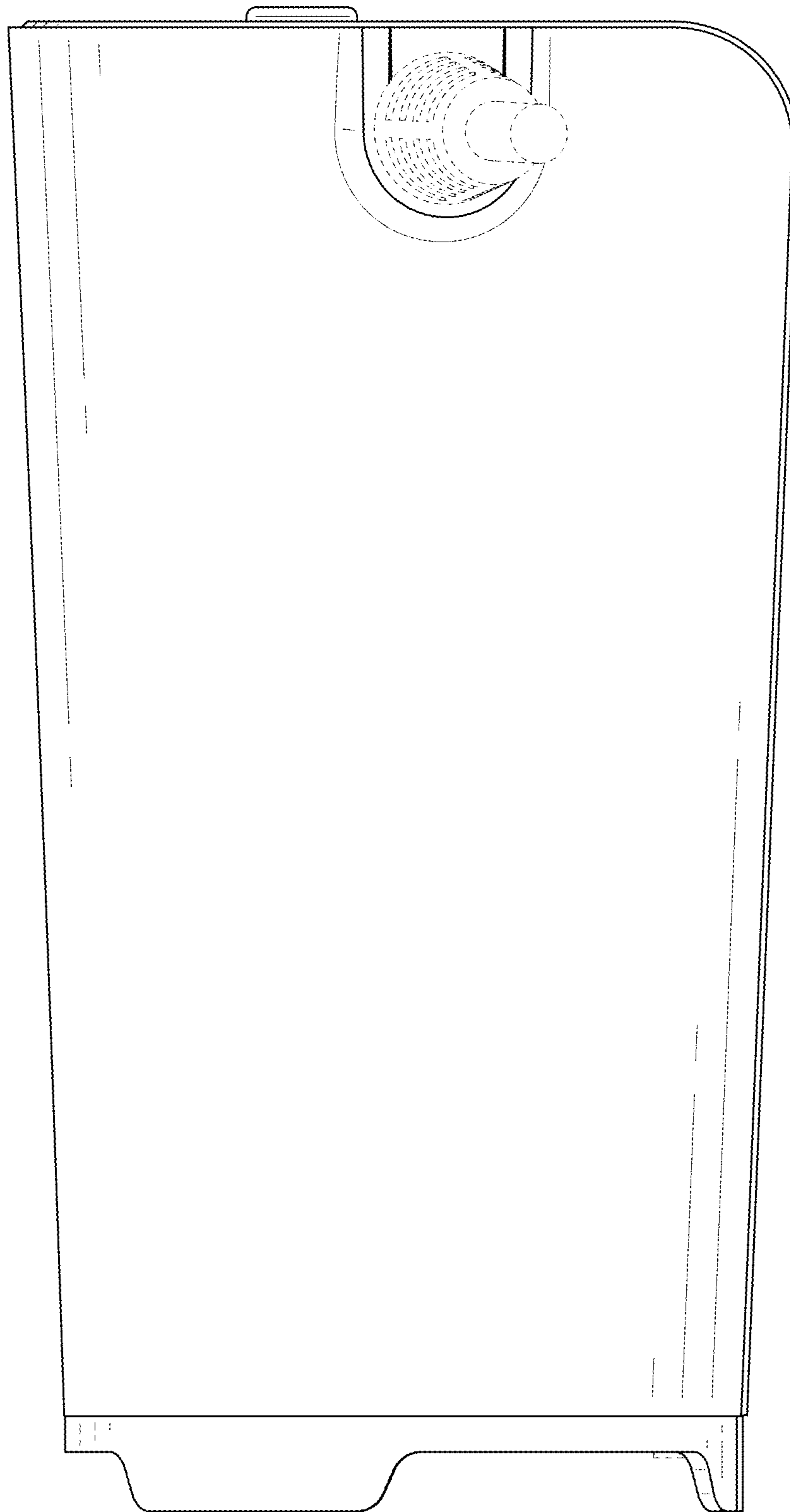


FIG. 5

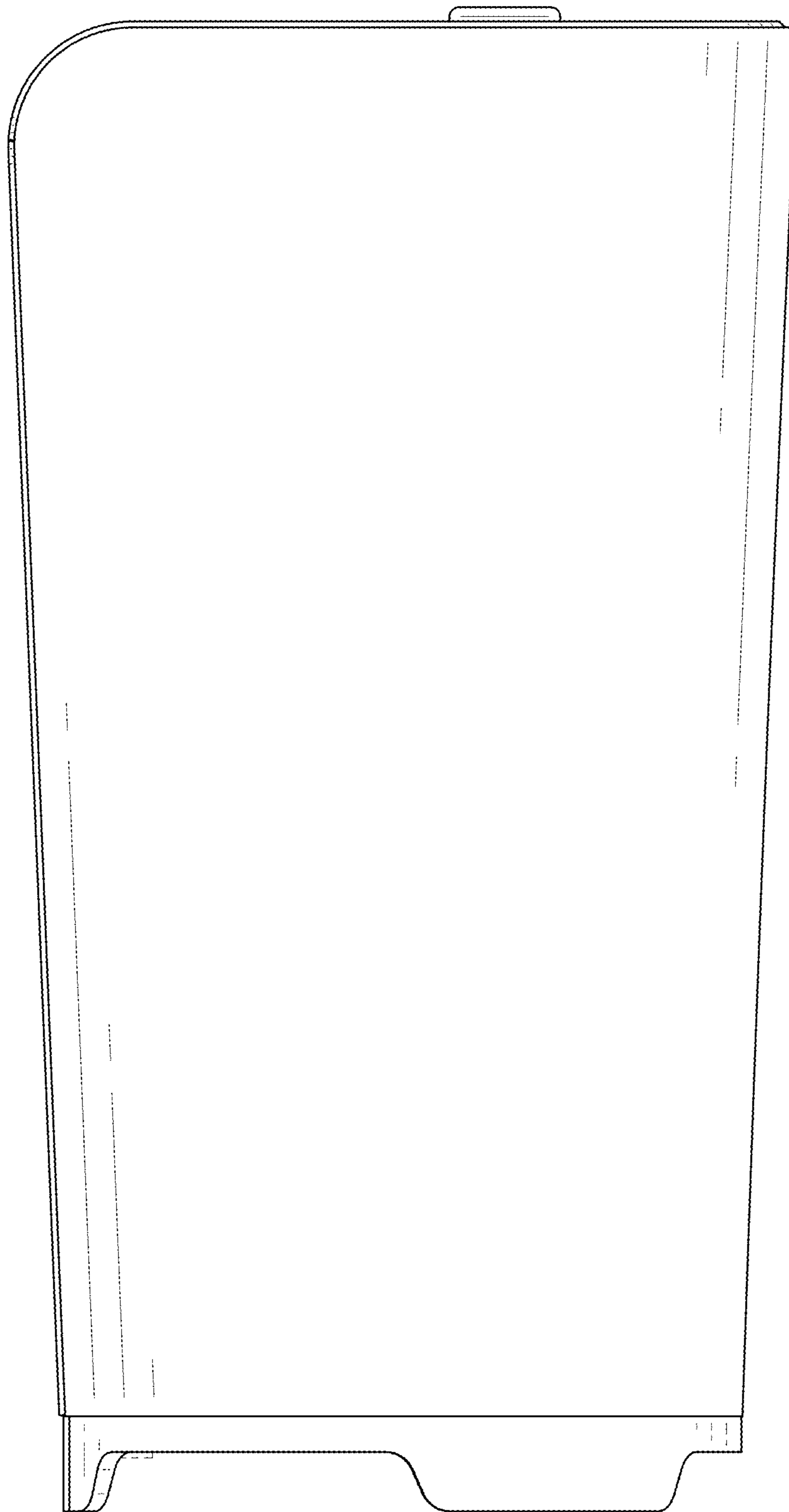


FIG. 6

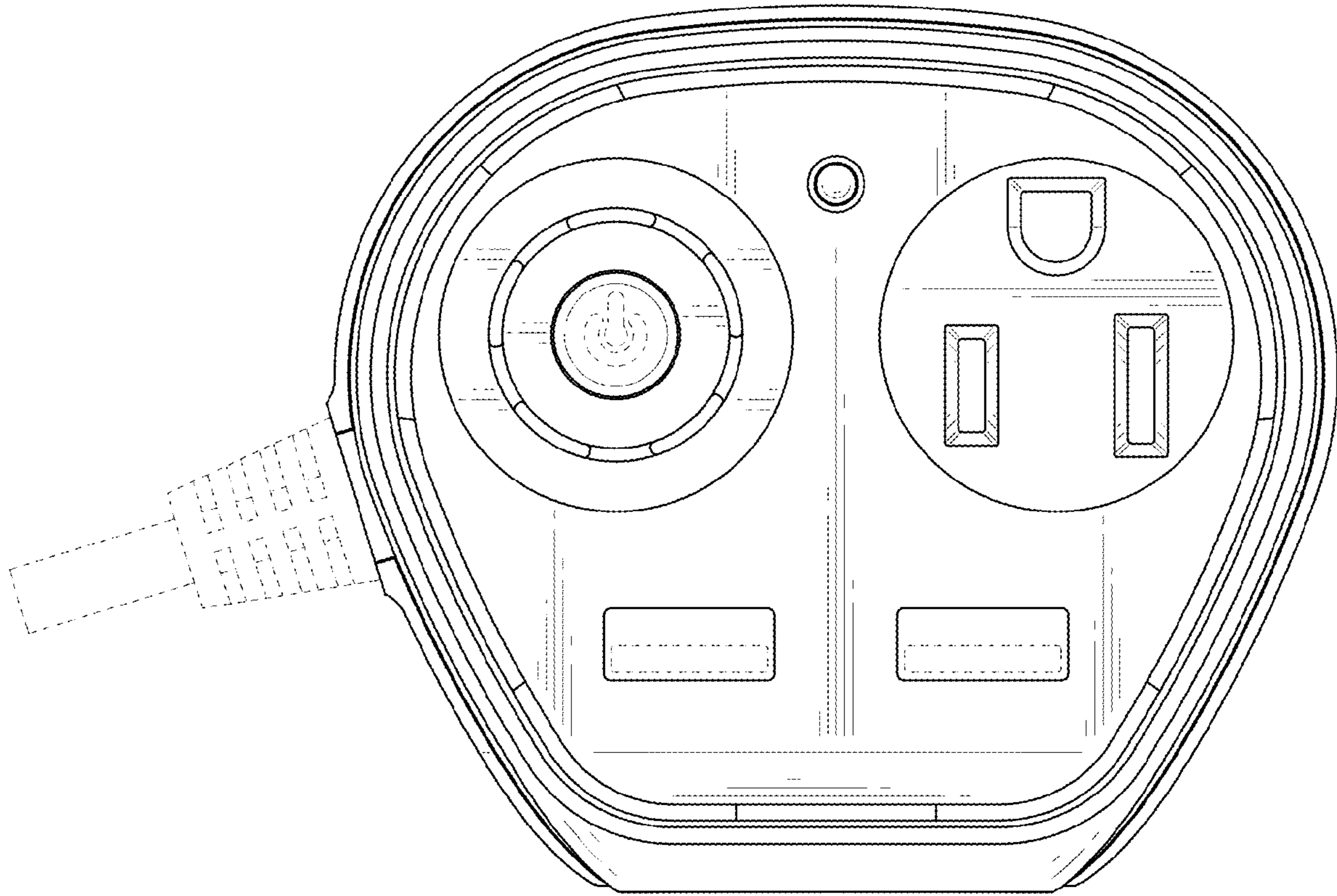


FIG. 7



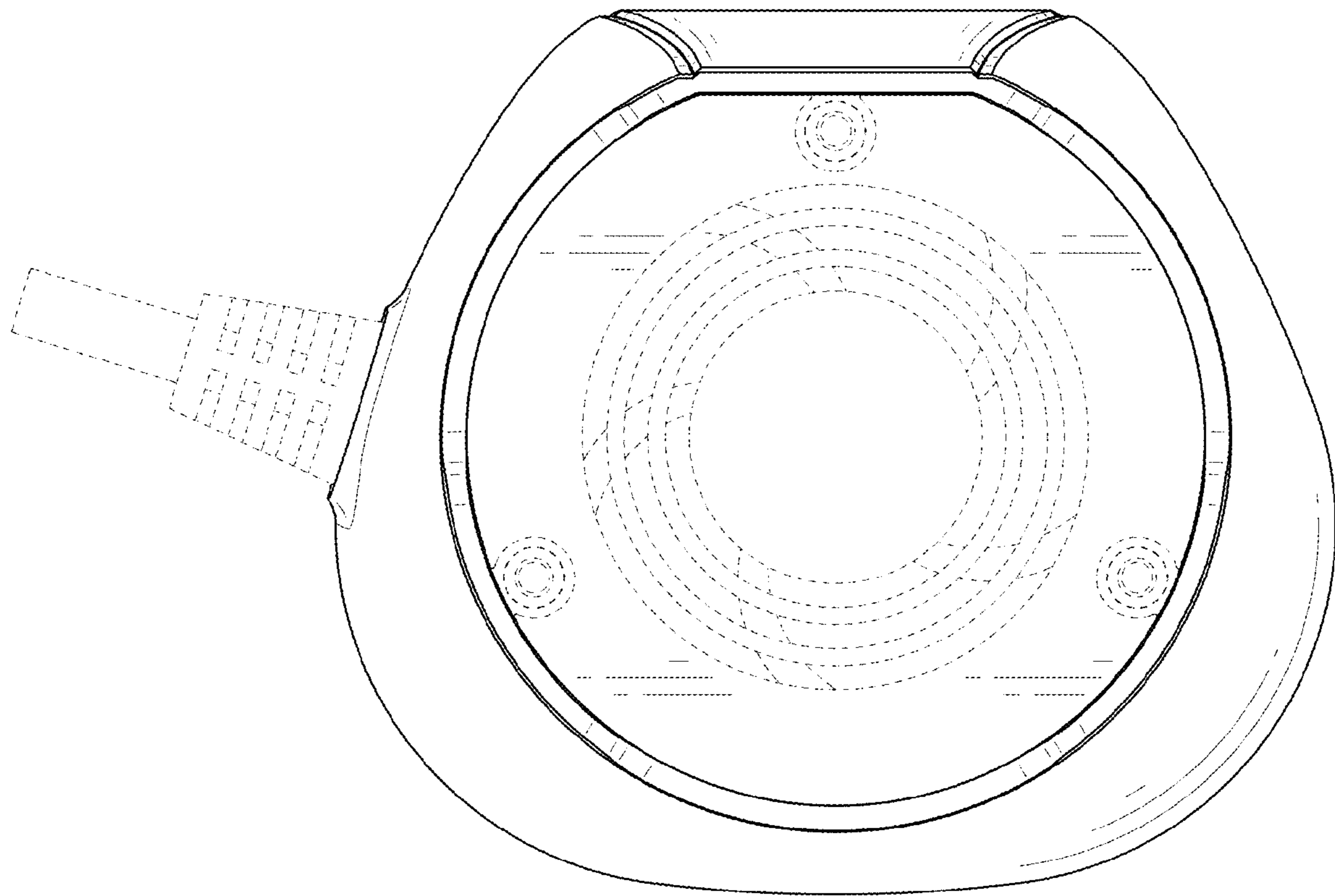


FIG. 8